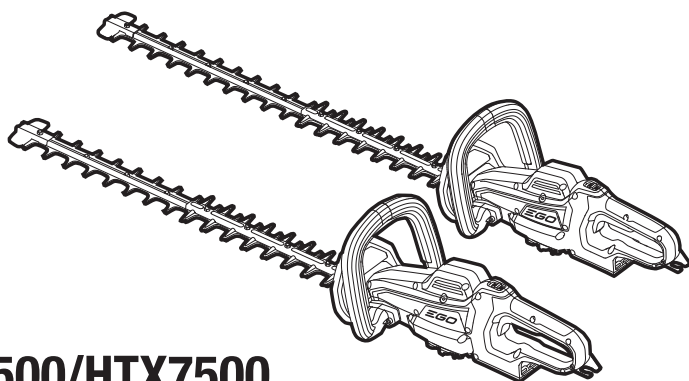


EGO™

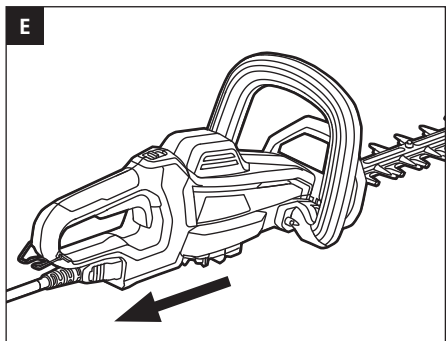
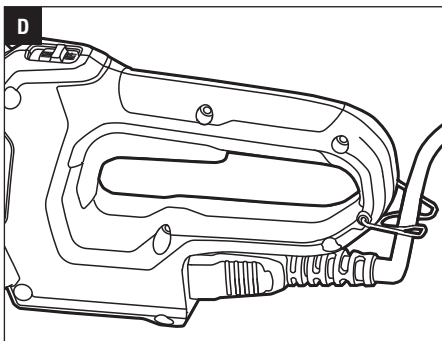
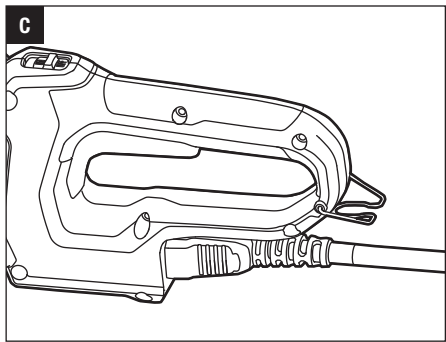
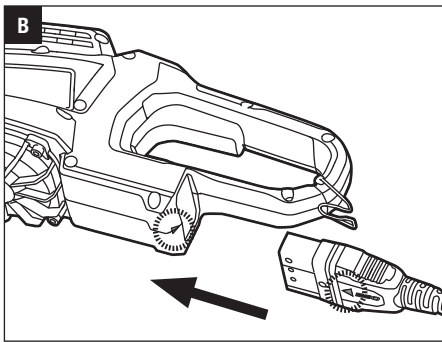
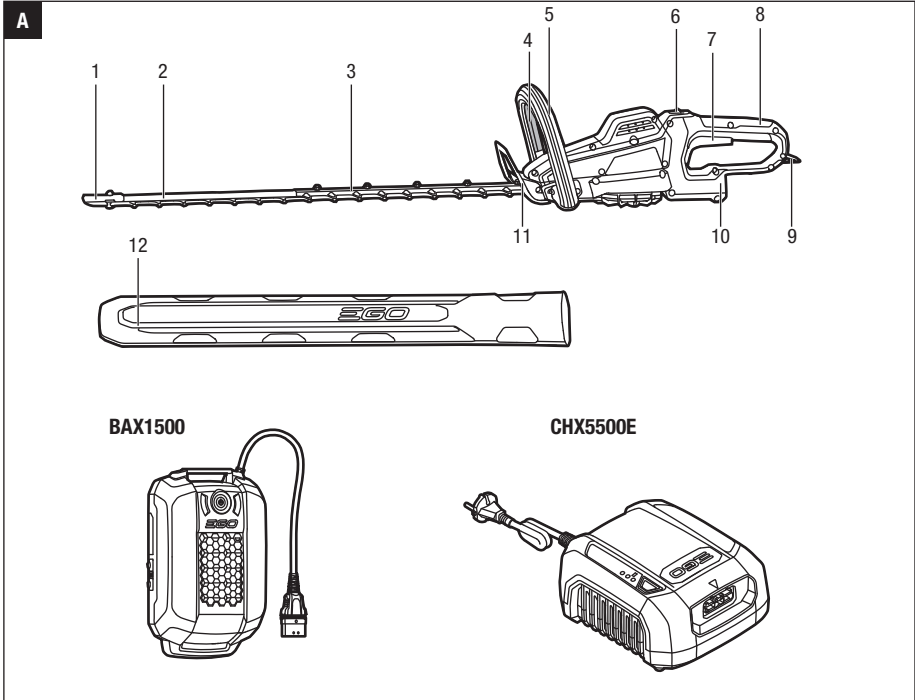
PRO X

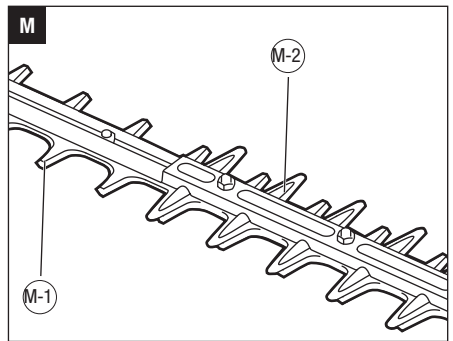
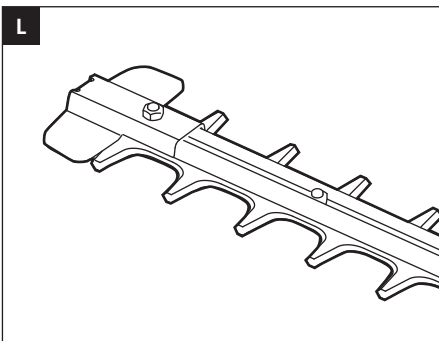
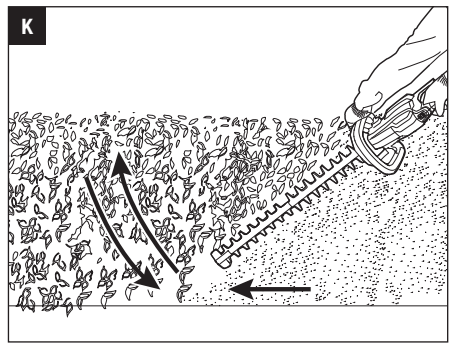
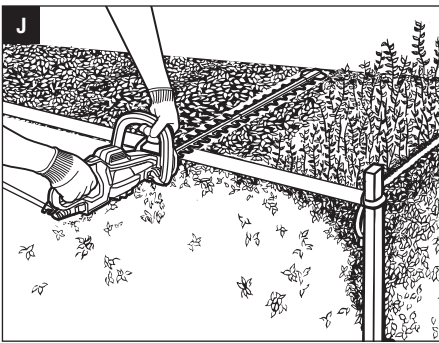
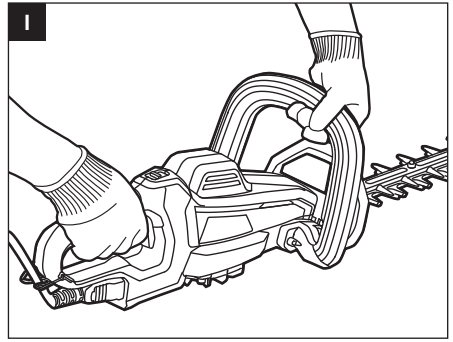
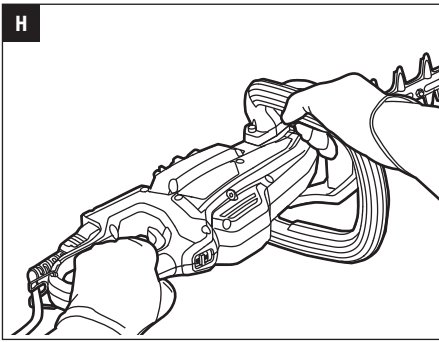
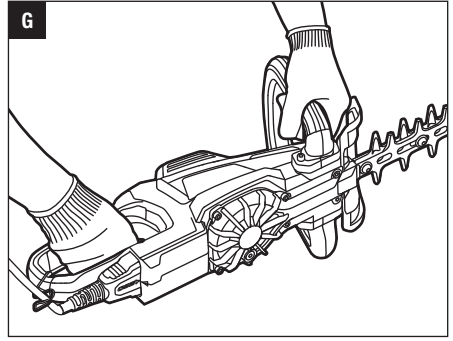
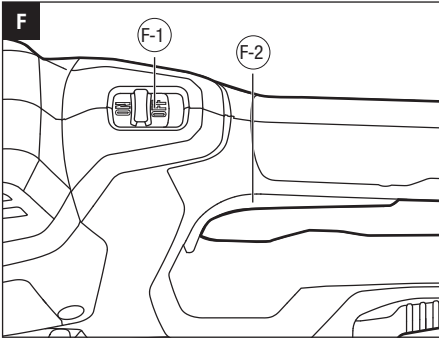


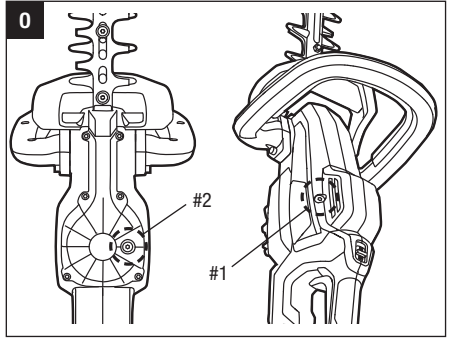
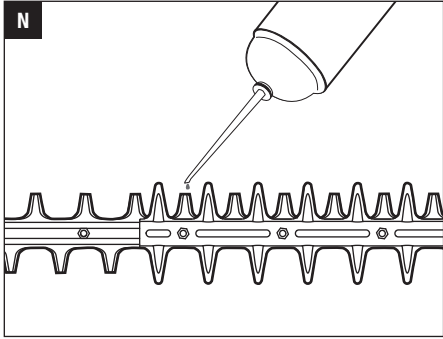
HTX6500/HTX7500

56 VOLT LITHIUM-ION CORDLESS HEDGE TRIMMER

EN	56 Volt lithium-ion cordless hedge trimmer	5	LT	56 voltų ličio jonų belaidis gyvatvorių pjūklas	160
DE	Kabellose heckenschere 56 Volt	13	LV	56 voltu litija jonu bezvadu dzīvžoga šķēres	168
FR	Taille-daie sans fil lithium-ion 56V	22	GR	Ασυρματο ψαλίδι μπουρνούρας λιθίου - ιοντων 56 volt	177
ES	Cortasetos inalámbrico de 56 voltios	31	TR	56 volt lityum-iyon kablosuz çit budama makinesi	186
PT	Corta-sebes sem fios de 56 volts	41	ET	56-voldise liitiumioonakuga juhtmeta hekitrimmer	194
IT	Tagliasiepi senza fili li-ion 56 volt	50	UK	56-вольтний літій-іонний акумуляторний тример для живоплоту	202
NL	56 Volt lithium-ion accuheggenschaar	59	BG	Ножница За Жив Плет	211
DK	56 Volt lithium-ion akku hækkeklipper	68	HR	Bežični šišač živice s 56-voltnom litij-ionskom baterijom	220
SE	56 Volt lithium-ion-batteri sladdlös häcktrimmer	76	KA	56 ვოლტებიანი ლითიუმ-იონის აკუმულატორიანი უსადენო ბუჩქის საკრეჭი	228
FI	56 Voltin litium-ion akkukäyttöinen pensasleikkuri	84	SR	Bežični trimer za živicu sa litijum-jonskom baterijom od 56 volti	241
NO	56 Volt lithium-ion hekktrimmer uten ledning	92	BS	Akumulatorske makaze za živicu s litij-ionskom baterijom od 56 V	250
RU	Беспроводной кусторез литий-ионным аккумулятором 56в	100	HE	גוזם גדרות אלחטי עם סוללת ליטיום-יון 56 וולט	275
PL	Bezprzewodowe nożyce do żywoplotu z baterią litowo-jonową 56 woltów	110	AR	جزارة سياح لاسلكية بطارية ليثيوم-أيون 56 فولت	267
CZ	56 voltová lithium-iontová bezdrátové nůžky na živé ploty	119			
SK	56v litium-iónová bezdrátové nožnice na živé ploty	127			
HU	56 voltos vezeték nélküli lítium-ion sövénynyíró	135			
RO	Trimmer fără fir pentru gard viu cu acumulator de litiu ion de 56 volți	144			
SL	56-voltni litij-ionski brezžični obrezovalnik žive meje	152			







READ ALL INSTRUCTIONS!



READ OPERATOR'S MANUAL

WARNING: To ensure safety and reliability, all repairs and replacements should be performed by a qualified service technician.

SAFETY SYMBOLS

The purpose of safety symbols is to attract your attention to possible dangers. The safety symbols and the explanations with them deserve your careful attention and understanding. The symbol warnings do not, by themselves, eliminate any danger.

The instructions and warnings they give are no substitutes for proper accident prevention measures.

WARNING: Be sure to read and understand all safety instructions in this Operator's Manual, including all safety alert symbols such as **"DANGER," "WARNING,"** and **"CAUTION"** before using this tool. Failure to follow all instructions listed below may result in electric shock, fire, and/or serious personal injury.

SYMBOL MEANING

SAFETY ALERT SYMBOL: Indicates **DANGER,** **WARNING,** or **CAUTION.** May be used in conjunction with other symbols or pictographs.

WARNING: The operation of any power tools can result in foreign objects being thrown into your eyes, which can result in severe eye damage. Before beginning power tool operation, always wear safety goggles or safety glasses with side shields and a full face shield when needed. We recommend a Wide Vision Safety Mask for use over eyeglasses or standard safety glasses with side shields.

SAFETY INSTRUCTIONS

This page depicts and describes safety symbols that may appear on this product. Read, understand, and follow all instructions on the machine before attempting to assemble and operate.

	Safety Alert	Indicates a potential personal injury hazard.
	Read Operator's Manual	To reduce the risk of injury, user must read the operator's manual.
	Keep hands and feet away from the cutting tool	Never attempt to operate your power tool with one hand. Loss of control of the power tool resulting in serious or fatal injury may result. To reduce the risk of cut injuries, keep hands and feet away from the cutting tool. Never attach a moving cutting tool with your hand or any other part of your body.
	Wear Eye Protection	Always wear safety goggles or safety glasses with side shields and a full face shield when operating this product
	Noise	Guaranteed sound power level. Noise emission to the environment according to the European community's Directive.
	CE	This product is in accordance with applicable EC directives.
	UKCA	This product is in accordance with applicable UK legislation.
	WEEE	Waste electrical products should not be disposed of with household waste. Take to an authorized recycler.
	Blade Length	The length of the blade
	Cutting Capacity	Max. Cutting capacity of the blade
	IP symbol	Protection against water jets
	Volt	Voltage
	Direct Current	Type or a characteristic of current
	Per Minute	Revolutions per minute

mm	millimeter	Length or size
cm	Centimeter	Length or size
n ₀	No Load Speed	Rotational speed, at no load

GENERAL POWER TOOL SAFETY WARNINGS

⚠ WARNING: Read all safety warnings, instructions, illustrations and specifications provided with this pool tool. Failure to follow all instructions listed below may result in electric shock, fire and/or serious injury.

Save all warnings and instructions for future reference.

The term “power tool” in the warning refers to your mains-operated (corded) power tool or battery-operated (cordless) power tool.

WORK AREA SAFETY

- **Keep work area clean and well lit.** Cluttered or dark areas invite accidents.
- **Do not operate power tools in explosive atmospheres, such as in the presence of flammable liquids, gases or dust.** Power tools create sparks which may ignite the dust or fumes.
- **Keep children and bystanders away while operating a power tool.** Distractions can cause you to lose control.

ELECTRICAL SAFETY

- **Power tool plugs must match the outlet. Never modify the plug in any way. Do not use any adapter plugs with earthed (grounded) power tools.** Unmodified plugs and matching outlets will reduce risk of electric shock.
- **Avoid body contact with earthed or grounded surfaces, such as pipes, radiators, ranges and refrigerators.** There is an increased risk of electric shock if your body is earthed or grounded.
- **Do not expose power tools to rain or wet conditions.** Water entering a power tool will increase the risk of electric shock.
- **Do not abuse the cord from battery pack . Never use the cord for carrying, pulling or unplugging the power tool. Keep cord away from heat, oil, sharp edges or moving parts.** Damaged or entangled cords increase the risk of electric shock.
- **When operating a power tool outdoors, use an extension cord suitable for outdoor use.** Use of a cord suitable for outdoor use reduces the risk of electric shock.

- **If operating a power tool in a damp location is unavoidable, use a residual current device (RCD) protected supply.** Use of an RCD reduces the risk of electric shock.

PERSONAL SAFETY

- **Stay alert, watch what you are doing and use common sense when operating a power tool. Do not use a power tool while you are tired or under the influence of drugs, alcohol or medication.** A moment of inattention while operating power tools may result in serious personal injury.
- **Use personal protective equipment. Always wear eye protection.** Protective equipment such as a dust mask, non-skid safety shoes, hard hat, or hearing protection used for appropriate conditions will reduce personal injuries.
- **Prevent unintentional starting. Ensure the switch is in the off-position before connecting to power source and/or battery pack, picking up or carrying the tool.** Carrying power tools with your finger on the switch or energizing power tools that have the switch on invites accidents.
- **Remove any adjusting key or wrench before turning the power tool on.** A wrench or a key left attached to a rotating part of the power tool may result in personal injury.
- **Do not overreach. Keep proper footing and balance at all times.** This enables better control of the power tool in unexpected situations.
- **Dress properly. Do not wear loose clothing or jewelry. Keep your hair and clothing away from moving parts.** Loose clothes, jewelry or long hair can be caught in moving parts.
- **If devices are provided for the connection of dust extraction and collection facilities, ensure these are connected and properly used.** Use of dust collection can reduce dust-related hazards.
- **Do not let familiarity gained from frequent use of tools allow you to become complacent and ignore tool safety principles.** A careless action can cause severe injury within a fraction of a second.

POWER TOOL USE AND CARE

- **Do not force the power tool. Use the correct power tool for your application.** The correct power tool will do the job better and safer at the rate for which it was designed.
- **Do not use the power tool if the switch does not turn it on and off.** Any power tool that cannot be controlled with the switch is dangerous and must be repaired.

- **Disconnect the plug from the power source and/or remove the battery pack, if detachable, from the power tool before making any adjustment, changing accessories, or storing power tools.** Such preventive safety measures reduce the risk of starting the power tool accidentally.
- **Store idle power tools out of the reach of children and do not allow persons unfamiliar with the power tool or these instructions to operate the power tool.** Power tools are dangerous in the hands of untrained users.
- **Maintain power tools and accessories. Check for misalignment or binding of moving parts, breakage of parts and any other condition that may affect the power tools operation. If damaged, have the power tool repaired before use.** Many accidents are caused by poorly maintained power tools.
- **Keep cutting tools sharp and clean.** Properly maintained cutting tools with sharp cutting edges are less likely to bind and are easier to control.
- **Use the power tool, accessories and tool bites etc. in accordance with these instructions, taking into account the working conditions and the work to be performed.** Use of the power tool for operations different from those intended could result in a hazardous situation.
- **Keep handles and grasping surfaces dry, clean and free from oil and grease.** Slippery handles and grasping surfaces do not allow for safe handling and control of the tool in unexpected situations.

BATTERY TOOL USE AND CARE

- **Recharge only with the charger specified by the manufacturer.** A charger that is suitable for one type of battery pack may create a risk of fire when used with another battery pack.
- **Use power tools only with specifically designated battery packs.** Use of any other battery packs may create a risk of injury and fire.
- **When battery pack is not in use, keep it away from other metal objects, like paper clips, coins, keys, nails, screws or other small metal objects, that can make a connection from one terminal to another.** Shorting the battery terminals together may cause burns or a fire.
- **Under abusive conditions, liquid may be ejected from the battery; avoid contact. If contact accidentally occurs, flush with water. If liquid contacts eyes, additionally seek medical help.** Liquid ejected from the battery may cause irritation or burns.
- **Follow all charging instructions and do not charge the battery pack or tool outside the temperature range specified in the instructions.** Charging improperly or at temperatures outside the specified range may damage the battery and increase the risk of fire.
- **Do not use a battery pack or tool that is damaged or modified.** Damaged or modified batteries may exhibit unpredictable behaviour resulting in fire, explosion or risk of injury.
- **Do not expose a battery pack or tool to fire or excessive temperature.** Exposure to fire or temperature above 100 C may cause explosion.

SERVICE

- **Have your power tool serviced by a qualified repair person using only identical replacement parts.** This will ensure that the safety of the power tool is maintained.
- **Never service damaged battery pack.** Service of battery packs should only be performed by the manufacturer or authorized service providers.

HEDGE TRIMMER SAFETY WARNINGS

- **Keep all parts of the body away from the cutter blade. Do not remove cut material or hold material to be cut when blades are moving. Make sure the switch is off when clearing jammed material.** A moment of inattention while operating the hedge trimmer may result in serious personal injury.
- **Carry the hedge trimmer by the handle with the cutter blade stopped.** When transporting or storing the hedge trimmer always fit the cutting device cover. Proper handling of the hedge trimmer will reduce possible personal injury from the cutter blades.
- **Hold the power tool by insulated gripping surfaces only, because the cutter blade may contact hidden wiring.** Cutter blades contacting a “live” wire may make exposed metal parts of the power tool “live” and could give the operator an electric shock.
- **Keep battery cable away from cutting area.** During operation the cable may be hidden in shrubs and can be accidentally cut by the blade.
- **Check the hedge for foreign objects before operating, e.g. wire fences.**
- **Only use the hedge trimmer with the guard properly assembled.** The use of the hedge trimmer without the proper guard may result in serious personal injury.

- Use both hands when operating the hedge trimmer. Using one hand could cause loss of control and result in serious personal injury.

IMPORTANT SAFETY INSTRUCTIONS

- Do not charge the battery pack in rain, or in wet locations.
- The battery pack must be removed from the appliance before it is scrapped.
- Do not grasp the exposed cutting blades or cutting edges when picking up or holding the hedge trimmer.
- Do not use on a ladder, rooftop, tree, or other unstable support. Stable footing on a solid surface enables better control of the hedge trimmer in unexpected situations.
- Never allow children to operate the hedge trimmer.
- Never remove or tamper with safety devices. Check their proper operation regularly. Never do anything to interfere with the intended function of a safety device or to reduce the protection provided by a safety device.
- Check the blade and motor mounting bolts at frequent intervals for proper tightness. Also, visually inspect blade for damage (e.g., bent, cracked, and worn). Replace the blade only with a blade from EGO™.
- Replace the blade if it is bent or cracked. An unbalanced blade causes vibration that could damage the motor drive unit or cause personal injury.
- If the equipment should start to vibrate abnormally, stop the motor and check immediately for the
- The trimmer shall be used to cut stems less than (33mm) thick.
- Do not wash with a hose; avoid getting water in motor and electrical connections.
- Follow instructions for lubricating and changing accessories.
- Keep handles dry, clean and free from oil and grease.
- Save these instructions. Refer to them frequently and use them to instruct others who may use this tool. If you loan this tool to someone else, also loan these instructions to them to prevent misuse of the product and possible injury.

SAVE THESE INSTRUCTIONS!

SPECIFICATIONS

Voltage	56 V $\overline{\text{---}}$	56 V $\overline{\text{---}}$	
Blade speed	1800 /min	1800 /min	
Blade length	65 cm	75 cm	
Cutting capacity	31 mm	31 mm	
Tool weight	4.1 kg	4.2 kg	
Recommended Operating Temperature	0°C-40°C	0°C-40°C	
Recommended Storage Temperature	-20°C-70°C	-20°C-70°C	
Measured sound power level L_{WA}	90.1 dB(A) K=2.9 dB(A)	95.4 dB(A) K=1.52 dB(A)	
Sound pressure level at operator's ear L_{PA}	80.1 dB(A) K=3 dB(A)	83.9 dB(A) K=2.5 dB(A)	
Guaranteed sound power level L_{WA} (according to 2000/14/EC)	93 dB(A)	97 dB(A)	
Vibration a_h	Rear Handle	3.2 m/s ² K=1.5 m/s ²	2.872 m/s ² K=1.5 m/s ²
	Front Handle	3.9 m/s ² K=1.5 m/s ²	3.536 m/s ² K=1.5 m/s ²

- The declared vibration total value has been measured in accordance with a standard test method and may be used for comparing one tool with another.
- The declared vibration total value may also be used in a preliminary assessment of exposure.

NOTE: The vibration emission during actual use of the power tool can differ from the declared value in which the tool is used; in order to protect the operator, user should wear gloves and ear protectors in the actual conditions of use.

PACKING LIST

PART NAME	QUANTITY
Hedge Trimmer	1
Shield	1
Operator's Manual	1

DESCRIPTION

KNOW YOUR HEDGE TRIMMER (Fig. A)

1. Tip Protector
2. Blade
3. Blade Guard

4. Front Switch Lever
5. Front Handle
6. Lock-off Button
7. Rear Switch Lever
8. Rear Handle
9. "U" hook
10. Socket
11. Hand Guard
12. Shield

⚠ WARNING: This product has been shipped completely assembled. The hand guard shall never be removed during use. Once damaged, replace it immediately by a qualified service technician.

⚠ WARNING: The safe use of this product requires an understanding of the information on the tool and in this operator's manual, as well as knowledge of the project you are attempting. Before use of this product, familiarize yourself with all operating features and safety rules.

OPERATION

⚠ WARNING: Do not allow familiarity with this product to make you careless. Remember that a careless fraction of a second is sufficient to inflict serious injury.

⚠ WARNING: Always wear eye protection with side shields, along with hearing protection. Failure to do so could result in objects being thrown into your eyes and other possible serious injuries.

⚠ WARNING: To prevent accidental starting that could cause serious personal injury, always remove the battery pack from the tool when assembling parts, making adjustments, cleaning, or when not in use.

⚠ WARNING: Do not use any attachments or accessories not recommended by EGO™. The use of attachments or accessories not recommended can result in serious personal injury.

Before each use, inspect the entire product for damaged, missing, or loose parts, such as screws, nuts, bolts, caps, etc. Tighten securely all fasteners and caps and do not operate this product until all missing or damaged parts are replaced.

The product may be used in rain.

INSTALLING/REMOVING THE BATTERY PACK

Use only with the battery packs and chargers listed in Fig.A

Charge before first use

To Install (Fig. B & C & D)

With aligned ▲ logo respectively on the plug and the hedge trimmer, insert the plug into the hedge trimmer until the green seal completely disappearing into the socket.

Mount the battery cord into the "U" hook.

To Remove (Fig. E)

Release the battery cord from the "U" hook and pull the plug out of the hedge trimmer.

STARTING/STOPPING THE HEDGE TRIMMER

Before operating, remove the shield and hold the trimmer with both hands, one hand on the rear handle and the other on the front handle. Then check for balanced footing, correct posture and a proper cutting distance.

⚠ WARNING: Always keep both hands on the hedge trimmer handles. Never hold shrubs with one hand and operate the hedge trimmer with the other. Failure to heed this warning may result in serious injury.

⚠ WARNING: When stopping the hedge trimmer, switch the lock-off button to position "OFF" before remove the battery pack. Failure to follow this warning may cause serious injury.

To Start

Push the lock-off button to position "ON" (Fig. F) and then press the rear switch level. With rear switch level pressed, continue pressing the front switch lever to start.

Fig. F parts description see below:

F-1	Lock-off Button
F-2	Rear Switch Lever

To Stop

Release either of the switch levers to stop it and switch the lock-off button to position "OFF" to prevent accidental start.

NOTICE: Both switch levers need to be pressed for the hedge trimmer to start.

HOLDING THE HEDGE TRIMMER

With the blade away from you, hold the trimmer with two hands, separately grasping the front and the rear handle. Three holding directions can suit for different cutting operations (Fig. G & H & I).

USING THE HEDGE TRIMMER

⚠ WARNING: If the blade jams on any electrical cord or line, **DO NOT TOUCH THE BLADE! IT CAN BECOME ELECTRICALLY LIVE AND VERY DANGEROUS.** Continue to hold the hedge trimmer by the insulated rear handle or lay it down and away from you in a safe manner. Disconnect the electrical service to the damaged line or cord before attempting to free the blade from the line or cord. Failure to heed this warning will result in serious personal injury or possible death.

⚠ WARNING: To prevent serious personal injury, keep hands away from blades. Do not attempt to remove cut material or hold material to be cut when the blades are moving. Make sure that the blades have totally stopped and the battery pack is removed before clearing jammed material from blades. Do not grasp the exposed cutting blades or cutting edges when picking up or holding the unit.

⚠ WARNING: Clear the area to be cut before each use. Remove all objects, such as cords, lights, wire, or string which can become entangled in the cutting blade and create a risk of serious personal injury.

⚠ WARNING: Avoid trimming too much at one time or through the heavy shrubbery. This can cause the blades to bind and slow, reducing the cutting efficiency.

NOTICE: For new growth, a wide sweeping is suitable for the stems fed directly into the cutting blade. For older growth, a sawing movement is good for trimming the thicker stems. A non-powered hand saw or pruning saw is suggested for trimming the large stems first.

Top Cutting

Use a wide sweeping motion. A slight downward tilt of the cutting blades in the direction of motion gives the best cutting results. For better cutting effect, you might as well use the string to guide the hedge level as Fig. J shown.

Side Cutting

When trimming the sides of the hedge, begin at the bottom and cut upwards as Fig. K shown.

Tip Protector

The tip protector (Fig. L) is used to protect the outer end of the blade.

Blade Guard

The outer part of the blades is shaped as blade guards (Fig. M).

Fig. M parts description see below:

M-1	Blade
M-2	Blade Guard

⚠ WARNING: Always check that the blade guard is not damaged or distorted. Replace it if it is bent or damaged.

MAINTENANCE

⚠ WARNING: When servicing, use only identical replacement parts. Use of any other parts may create a hazard or cause product damage. To ensure safety and reliability, all repairs should be performed by a qualified service technician.

⚠ WARNING: To avoid serious personal injury, always remove the battery pack from the product when cleaning or performing any maintenance.

CLEANING

- Use a soft brush to remove debris from all air intakes and cutting blade.
- To remove pitch and other sticky residue, spray the blades with resin solvent. Run the motor briefly so that the solvent is evenly distributed.
- Wipe the surface with a dry cloth.

⚠ WARNING: Avoid using solvents when cleaning plastic parts. Most plastics are susceptible to damage from various types of commercial solvents. Use clean clothes to remove dirt, dust, oil, grease, etc.

SHARPENING THE CUTTING BLADE

1. Remove the battery pack from your hedge trimmer.
2. AHB6500S/AHB7500S: Clamp the blade assembly in a vise and file the exposed cutting surface of each blade tooth. Remove as little material as possible. AHB6500/AHB7500 (With "Ⓢ" and "HARDENED" on the blade surface): Clamp the blade assembly in a vise and sharpen the exposed cutting surface with a diamond file or low-speed grinder (Rotate speed < 2500 min⁻¹, Feed speed < 60mm/min, Mesh number > 100). Removing as little material as possible.

- Remove the hedge trimmer from the vise and adjust the unsharpened blade on the other side exposed.

Repeat the above procedures until all the blade teeth sharpened.

NOTICE: Do not operate your hedge trimmer with dull or damaged cutting blades. This may cause overload and will give unsatisfactory cutting results.

NOTICE: A normal metal file is not applicable to sharpen AHB6500/AHB7500 special blade.

NOTICE: When use a low-speed grinder (Rotate speed <math><2500 \text{ min}^{-1}</math>) to sharpen cutting blade, keep watering the blade teeth continuously during grinding.

LUBRICATING THE HEDGE TRIMMER

⚠ WARNING: Do not lubricate while the hedge trimmer is still connected with battery or running.

Lubricating the blade

For best operation and longer blade life, lubricate the hedge trimmer blade with light weight machine oil before and after each use.

Remove the battery pack and lay the trimmer onto a flat surface. Apply the oil along the edge of the top blade (Fig. N).

Lubricating the gear case

For best operation and longer lifetime, lubricate the hedge trimmer gear case with a special grease (5-6g in #1 and 10-12g in #2 each time) after every 50 hours operation.

The special grease should meet the following requirements.

- Belong to DIN51818: NLGI-2 cone penetration degree.
- Composed of polyurea thickeners + synthetic lubricating oil
- Excellent low-temperature startup, EP, mechanical shearing, abrasion resistance and oxidative stability properties.
- Operation temperature must contain $-40\sim 180^{\circ}\text{C}$.

Remove the battery plug and the two sealing screws (Fig. O). Lubricating the gear case through the oil-hole.

NOTICE: Don't fully fill the gear case with grease.

TRANSPORTING AND STORING

- Always place the shield on the blade before storing or transporting the hedge trimmer. Use caution to avoid the sharp teeth of the blade.
- Clean the hedge trimmer thoroughly before storing.
- Store the hedge trimmer indoors, in a dry place that is inaccessible to children.
- Keep away from corrosive agents such as garden chemicals and deicing salts.

⚠ WARNING: Blades are sharp. When handling the blade assembly, wear non-slip, heavy-duty protective gloves. Do not place your hand or fingers between blades or in any position where they could get pinched or cut. NEVER touch blades or service the unit with battery pack installed.

Protecting the environment



Do not dispose of electrical equipment, used battery and charger into household waste! Take this product to an authorized recycler and make it available for separate collection. Electric tools must be returned to an environmentally compatible recycling facility.

PROBLEM	CAUSE	SOLUTION
Hedge Trimmer does not work.	<ul style="list-style-type: none"> ■ The battery pack is not attached to the hedge trimmer or no electrical contact between the hedge trimmer and battery. 	<ul style="list-style-type: none"> ■ Reinsert the battery plug into the hedge trimmer.
	<ul style="list-style-type: none"> ■ The battery pack is depleted. 	<ul style="list-style-type: none"> ■ Charge the battery pack with the specified charger.
	<ul style="list-style-type: none"> ■ The lock button has not pushed to position "ON" before pressing the switch levels. 	<ul style="list-style-type: none"> ■ Before using the trimmer, confirm the lock button is unlocked.
	<ul style="list-style-type: none"> ■ The battery pack or hedge trimmer is too hot. 	<ul style="list-style-type: none"> ■ Allow the battery pack or hedge trimmer to cool until the temperature to normal temperature.
	<ul style="list-style-type: none"> ■ The blade is jammed. 	<ul style="list-style-type: none"> ■ Remove the battery pack from the tool. Remove the obstruction carefully and then reinsert the battery and restart the tool.
	<ul style="list-style-type: none"> ■ The hedge trimmer is overload. 	<ul style="list-style-type: none"> ■ Reduce the load of the machine.
Excessive vibration or noise.	<ul style="list-style-type: none"> ■ Dry or corroded blades. 	<ul style="list-style-type: none"> ■ Lubricate the blades.
	<ul style="list-style-type: none"> ■ Blades or blade support is bent. 	<ul style="list-style-type: none"> ■ Replace with a new blade or support. Contact EGO service center for blade or support replacement.
	<ul style="list-style-type: none"> ■ Bent or damaged teeth. 	<ul style="list-style-type: none"> ■ Replace with a new blade. Contact EGO service center for blade replacement.
	<ul style="list-style-type: none"> ■ Loose blade bolts. 	<ul style="list-style-type: none"> ■ Tighten the blade bolts. Using a wrench, turn the bolt clockwise to tighten.

WARRANTY

EGO WARRANTY POLICY

Please visit the website egopowerplus.eu for full terms and conditions of the EGO Warranty policy.

LESEN SIE ALLE ANWEISUNGEN!



LESEN SIE DIE BETRIEBSANLEITUNG

⚠️ WARNUNG: Um die Sicherheit und Zuverlässigkeit zu gewährleisten, sollten alle Reparaturen und der Austausch von Teilen nur von qualifizierten Servicetechnikern durchgeführt werden.

WARNSYMBOLLE

Der Zweck von Sicherheitssymbolen besteht darin, Ihre Aufmerksamkeit auf mögliche Gefahren zu lenken. Die Sicherheitssymbole und deren Erklärungen verdienen Ihre vollste Aufmerksamkeit und ihr Verständnis. Die Warnsymbole beseitigen nicht von sich aus die Gefahren. Ihre Anweisungen und Warnungen sind kein Ersatz für angemessene Unfallverhütungsmaßnahmen.

⚠️ WARNUNG: Achten Sie darauf, dass Sie, bevor Sie das Gerät benutzen, alle Sicherheitsanweisungen dieser Bedienungsanleitung gelesen und verstanden haben, einschließlich aller Gefahrenzeichen wie „**VORSICHT**“, „**WARNUNG**“ und „**ACHTUNG**“. Die Nichtbeachtung der unten angeführten Anweisungen kann zu Stromschlägen, Feuer und/oder schweren Verletzungen führen.

SYMBOLBEDEUTUNG

SYMBOL FÜR SICHERHEITSWARNUNGEN: Weist auf **GEFAHR**, **WARNUNG** oder **VORSICHT** hin. Kann zusammen mit anderen Symbolen oder Bildern verwendet werden.

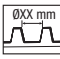

⚠️ WARNUNG: Die Bedienung von Akku Geräten kann dazu führen, dass Fremdkörper in Ihre Augen geschleudert werden und Sie dadurch schwerwiegende Augenschäden davontragen. Tragen Sie immer eine Schutzbrille, wenn möglich mit Seitenschutz, oder, falls nötig, einen vollen Gesichtsschutz, bevor Sie mit der Bedienung der Akku Geräte beginnen. Wir empfehlen Ihnen, einen Gesichtsschutz über Ihrer eigenen Brille oder eine Standardsicherheitsbrille mit Seitenschutz zu tragen.

SICHERHEITSHINWEISE

Diese Seite zeigt und beschreibt die Sicherheitssymbole, die auf diesem Produkt erscheinen können. Lesen, verstehen und befolgen Sie die Anweisungen auf der Maschine, bevor Sie versuchen, die Maschine zusammenzubauen oder zu bedienen.

DE

	Sicherheitswarnung	Weist auf mögliche Verletzungsgefahr hin.
	Lesen Sie die Bedienungsanleitung	Um das Verletzungsrisiko zu verringern, muss der Benutzer die Bedienungsanleitung lesen.
	Halten Sie Hände und Füße von dem Schneidwerkzeug fern.	Versuchen Sie niemals, Ihr Elektrowerkzeug mit einer Hand zu benutzen. Es kann zum Kontrollverlust kommen, der schwere oder gar tödliche Verletzungen zur Folge haben kann. Um das Risiko von Schnittverletzungen zu verringern, halten Sie Hände und Füße von dem Schneidwerkzeug fern. Berühren Sie niemals ein Schneidwerkzeug, das in Bewegung ist, mit Ihrer Hand oder einem anderen Körperteil.
	Augenschutz tragen	Tragen Sie immer eine Schutzbrille, möglichst mit Seitenschutz, und einen Gesichtsschutz, wenn Sie das Gerät bedienen.
	Geräusch	Garantierter Schalleistungspegel. Geräuschemission an die Umgebung gemäß Richtlinie der Europäischen Gemeinschaft.
	CE	Dieses Produkt erfüllt die anwendbaren EG-Richtlinien.
	UKCA	Dieses Produkt entspricht den geltenden Vorschriften des Vereinigten Königreichs.
	WEEE	Elektro- und Elektronik-Altgeräte dürfen nicht im Hausmüll entsorgt werden. Bringen Sie das Gerät zu einem zugelassenen Recyclinghof.
	Messeriänge	Die Länge des Messers

	Mähkapazität	Max. Schnittleistung des Messers
IPX5	IP-Symbol	Strahlwassergeschützt
V	Volt	Spannung
	Gleichstrom	Art oder Eigenschaft der Stromzufuhr
.../min	pro Minute	Umdrehungen pro Minute
mm	Millimeter	Länge oder Größe
cm	Zentimeter	Länge oder Größe
n ₀	Leerlaufdrehzahl	Drehzahl im Leerlauf

ALLGEMEINE SICHERHEITSHINWEISE ZU ELEKTROWERKZEUGEN

⚠️ WARNUNG: Lesen Sie alle Sicherheitshinweise, Anleitungen, Abbildungen und technische Angaben, die mit diesem Werkzeug geliefert werden. Die Nichtbeachtung der unten aufgeführten Anleitungen kann zu Stromschlägen, Feuer und/oder schweren Verletzungen führen.

Bewahren Sie alle Warn- und Bedienhinweise für Nachschlagezwecke auf.

Unter den Begriff „Elektrowerkzeug“ in den Warnhinweisen fallen Ihre netzbetriebenen (d.h. schnurgebundenen) oder akkubetriebenen (d.h. schnurlosen) Elektrowerkzeuge.

SICHERHEIT IM ARBEITSBEREICH

- **Halten Sie den Arbeitsbereich stets sauber und gut beleuchtet.** Nicht aufgeräumte oder dunkle Bereiche können Unfälle provozieren.
- **Verwenden Sie das Elektrowerkzeug nicht in explosionsgefährdeten Umgebungen wie z.B. in Gegenwart von entzündlichen Flüssigkeiten, Gasen oder Staub.** Elektrowerkzeuge erzeugen Funken, die Staub oder Dämpfe entzünden können.
- **Halten Sie Schaulustige und Kinder beim Arbeiten mit dem Elektrowerkzeug fern.** Ablenkungen können dazu führen, dass Sie die Kontrolle verlieren.

ELEKTRISCHE SICHERHEIT

- Die Stecker von Elektrowerkzeugen müssen zur Steckdose passen. **Modifizieren Sie den Stecker in keiner Weise. Verwenden Sie keine Adapterstecker mit geerdeten Elektrowerkzeugen.** Nicht modifizierte Stecker und passende Steckdosen reduzieren die

Stromschlaggefahr.

- **Vermeiden Sie den Körperkontakt zu geerdeten Flächen wie zum Beispiel Rohrleitungen, Heizkörpern, Herden und Kühlschränken.** Es besteht erhöhte Stromschlaggefahr, wenn Ihr Körper geerdet ist.
- **Setzen Sie Elektrowerkzeuge nicht bei Regen oder feuchten Bedingungen ein.** Wenn Wasser in das Elektrowerkzeug eindringt, besteht erhöhte Stromschlaggefahr.
- **Das Kabel des Akkus darf nicht zweckentfremdet werden. Das Netzkabel darf nicht zum Tragen, Ziehen oder Herausziehen des Elektrowerkzeugs aus der Steckdose verwendet werden. Das Netzkabel muss vor Hitze, Öl, scharfen Kanten oder beweglichen Teilen ferngehalten werden.** Durch beschädigte oder verknottete Kabel besteht erhöhte Stromschlaggefahr.
- **Wenn Sie ein Elektrowerkzeug im Freien benutzen, verwenden Sie ein Verlängerungskabel, das für den Gebrauch im Freien geeignet ist.** Die Verwendung eines für den Einsatz im Freien geeigneten Kabels reduziert die Stromschlaggefahr.
- **Wenn der Gebrauch eines Elektrowerkzeuges an einem feuchten Ort unvermeidbar ist, benutzen Sie eine durch eine Fehlerstromschutzeinrichtung (FI-Schalter) geschützte Stromquelle.** Die Verwendung einer Fehlerstromschutzeinrichtung reduziert die Stromschlaggefahr.

PERSONENSICHERHEIT

- **Seien Sie wachsam, geben Sie darauf Acht, was Sie tun, und benutzen Sie Ihren gesunden Menschenverstand, wenn Sie das Elektrowerkzeug verwenden. Betreiben Sie das Gerät nicht, wenn Sie müde oder unter dem Einfluss von Drogen, Alkohol oder Medikamenten stehen.** Ein Moment der Unachtsamkeit kann zu ernsthaften Verletzungen führen.
- **Tragen Sie eine persönliche Schutzausrüstung. Tragen Sie immer einen Augenschutz.** Durch eine für die jeweiligen Bedingungen geeignete Schutzausrüstung wie etwa eine Staubschutzmaske, rutschfeste Schuhe, Helm oder Gehörschutz lässt sich die Verletzungsgefahr verringern.
- **Beugen Sie einem versehentlichen Starten vor. Stellen Sie sicher, dass der Schalter in der Aus-Position steht, bevor Sie das Werkzeug mit der Stromquelle und/oder dem Akku verbinden, es aufheben oder tragen.** Das Tragen von Elektrowerkzeugen mit dem Finger am Schalter oder das Verbinden des Steckers bei betätigtem Schalter fördert Unfälle.

- **Entfernen Sie alle Einstellschlüssel oder Schraubenschlüssel, bevor Sie das Elektrowerkzeug einschalten.** Ein Schraubenschlüssel oder ein Schlüssel, der noch an einem beweglichen Teil des Elektrowerkzeuges befestigt ist, kann zu Verletzungen führen.
- **Lehnen Sie sich nicht zu weit nach vorn. Achten Sie stets auf einen festen Stand und halten Sie das Gleichgewicht.** Dies ermöglicht eine bessere Kontrolle über das Elektrowerkzeug in unerwarteten Situationen.
- **Tragen Sie angemessene Kleidung. Tragen Sie keine weite Kleidung oder Schmuck. Halten Sie Ihr Haar und Ihre Kleidung von den beweglichen Teilen fern.** Weite Kleidung, Schmuck oder langes Haar können sich in den beweglichen Teilen verfangen.
- **Wenn Komponenten zum Anschluss an eine Absauganlage und an Auffangvorrichtungen mitgeliefert werden, achten Sie darauf, dass diese ordnungsgemäß befestigt und benutzt werden.** Die Verwendung einer Staubauffangvorrichtung kann Gefahren durch Staub reduzieren.
- **Lassen Sie sich nicht durch die aufgrund häufiger Benutzung entstandene Vertrautheit mit Werkzeugen dazu verleiten, unachtsam zu werden und die für Werkzeuge geltenden Sicherheitsgrundsätze zu ignorieren.** Eine fahrlässige Handlung kann bereits im Bruchteil einer Sekunde zu schweren Verletzungen führen.

GEBRAUCH UND PFLEGE DES ELEKTROWERKZEUGS

- **Üben Sie keinen übermäßigen Druck auf das Elektrowerkzeug aus. Verwenden Sie geeignetes Elektrowerkzeug für die jeweiligen Arbeiten.** Durch das passende Elektrowerkzeug lassen sich die Arbeiten besser und sicherer in dem jeweils vorgesehenen Tempo erledigen.
- **Verwenden Sie das Elektrowerkzeug nicht, wenn der Schalter sich nicht ein- und ausschalten lässt.** Ein Elektrowerkzeug, das sich nicht durch den Schalter bedienen lässt, ist gefährlich und muss repariert werden.
- **Ziehen Sie den Netzstecker aus der Steckdose bzw. nehmen Sie den Akku vom Elektrowerkzeug ab, sofern dieser entfernbar ist, bevor Sie Einstellungen vornehmen, das Zubehör wechseln oder das Elektrowerkzeug verstauen.** Solche vorsorglichen Sicherheitsmaßnahmen verringern die Gefahr, dass sich das Elektrowerkzeug unbeabsichtigt einschaltet.
- **Lagern Sie nicht benutzte Elektrowerkzeuge außer Reichweite von Kindern und lassen Sie keine Personen, die mit dem Elektrowerkzeug**

oder diesen Anleitungen nicht vertraut sind, das Elektrowerkzeug benutzen. Elektrowerkzeuge sind gefährlich in den Händen ungeübter Benutzer.

- **Warten Sie Elektrowerkzeuge und Zubehörteile. Achten Sie auf falsch ausgerichtete oder festsitzende Bauteile, Bruchstellen und sonstige Umstände, die die Funktion des Elektrowerkzeuges beeinträchtigen können. Lassen Sie beschädigte Elektrowerkzeuge reparieren, bevor Sie sie wieder einsetzen.** Viele Unfälle entstehen durch schlecht gewartete Elektrowerkzeuge.
- **Halten Sie Schneidwerkzeuge scharf und sauber.** Sachgemäß gewartete Schneidwerkzeuge mit scharfen Schneiden neigen weniger dazu, sich zu verklemmen und sind einfacher zu kontrollieren
- **Benutzen Sie das Elektrowerkzeug, Zubehör, Werkzeugeile usw. gemäß diesen Anleitungen und berücksichtigen Sie dabei die Arbeitsbedingungen und die auszuführende Arbeit.** Die Verwendung des Elektrowerkzeugs für Aufgaben, die von seinem bestimmungsgemäßen Zweck abweichen, kann zu gefährlichen Situationen führen.
- **Halten Sie die Griffe und Griffflächen trocken, sauber und frei von Öl und Fett.** Rutschige Griffe und Griffflächen beeinträchtigen die sichere Handhabung des Werkzeugs und führen in unerwarteten Situationen zum Verlust der Kontrolle über das Werkzeug.

BENUTZUNG UND WARTUNG VON AKKUWERKZEUGEN

- **Laden Sie den Akku nur mit dem vom Hersteller angegebenen Ladegerät auf.** Ein Ladegerät, das für einen bestimmten Akkutyp geeignet ist, kann bei der Benutzung mit einem anderen Akkusatz ein Brandrisiko darstellen.
- **Benutzen Sie Elektrowerkzeuge nur mit dem zu diesem Zweck entwickelten Akkusatz.** Die Verwendung von anderen Akkusätzen birgt das Risiko in sich, dass Verletzungen verursacht werden und ein Feuer entstehen könnte.
- **Wenn der Akkusatz nicht benutzt wird, halten Sie ihn von anderen metallischen Objekten fern, wie Büroklammern, Münzen, Schlüssel, Nägel, Schrauben oder anderen kleinen Metallobjekten, die eine Verbindung zwischen den Batteriekontakten herstellen können.** Das Kurzschließen der Batteriekontakte kann Verbrennungen oder ein Feuer verursachen.
- **Bei falscher Anwendung kann Flüssigkeit aus dem Akku austreten; vermeiden Sie den Kontakt mit dieser Flüssigkeit. Falls Sie versehentlich mit der**

Flüssigkeit in Berührung gekommen sind, spülen Sie mit Wasser. Falls Flüssigkeit in die Augen geraten ist, suchen Sie zudem einen Arzt auf. Aus dem Akku austretende Flüssigkeit kann Reizungen oder Verbrennungen verursachen.

- **Beachten Sie alle Ladeanleitungen und laden Sie den Akku oder das Werkzeug nicht außerhalb des in den Anleitungen angegebenen Temperaturbereichs auf.** Das unsachgemäße Aufladen oder Laden außerhalb des angegebenen Temperaturbereichs kann den Akku beschädigen und die Brandgefahr erhöhen.
- **Benutzen Sie keinen Akku oder ein Werkzeug, das beschädigt oder umgebaut wurde.** Beschädigte oder umgebaute Akkus können sich unvorhergesehen verhalten, wodurch möglicherweise ein Brand, eine Explosion oder Verletzungen verursacht werden.
- **Setzen Sie einen Akku oder ein Werkzeug keinem Feuer oder extremen Temperaturen aus.** Feuer oder Temperaturen über 100 °C können eine Explosion verursachen.

REPARATUR

- **Lassen Sie Ihr Elektrowerkzeug von einer qualifizierten Fachkraft und nur mit identischen Ersatzteilen reparieren.** Dadurch wird gewährleistet, dass die Sicherheit des Elektrowerkzeugs gewahrt wird.
- **Reparieren Sie unter keinen Umständen einen beschädigten Akku.** Die Reparatur von Akkus sollte ausschließlich von dem Hersteller oder autorisierten Serviceanbietern vorgenommen werden.

WARNHINWEISE ZUR HECKENSCHERE

- **Halten Sie alle Körperteile vom Schneidmesser fern. Entfernen Sie kein Schnittgut oder halten Sie Schnittgut, wenn die Messer in Bewegung sind. Stellen Sie sicher, dass der Schalter in der Aus-Position ist, wenn Sie eingeklemmtes Material entfernen.** Ein Moment der Unachtsamkeit bei der Arbeit mit der Heckenschere kann zu schweren Verletzungen führen.
- **Tragen Sie die Heckenschere am Griff und nur wenn das Schneidmesser stillsteht.** Wenn Sie die Heckenschere transportieren oder lagern, befestigen Sie immer die Schutzabdeckung der Schneidvorrichtung. Die sachgemäße Handhabung der Heckenschere wird das Verletzungsrisiko durch die Schneidmesser reduzieren.
- **Halten Sie das Elektrowerkzeug nur an den isolierten Halteflächen fest, da das Schneidmesser**

versteckte Kabel berühren könnte. Schneidmesser, die mit einem „Strom führenden“ Kabel in Berührung kommen, können zu den freiliegenden Metallteilen des Elektrowerkzeugs Strom leiten und dem Benutzer einen Stromschlag verpassen.

- **Halten Sie das Akkukabel vom Schnittbereich fern.** Während der Arbeiten kann das Kabel von Büschen oder Hecken verdeckt werden und vom Messer versehentlich durchtrennt werden.
- Untersuchen Sie die Hecke vor dem Schneiden auf Fremdkörper, z.B. Drahtzäune.
- Benutzen Sie die Heckenschere nur, wenn die Schutzabdeckung korrekt angebracht ist. Die Verwendung der Heckenschere ohne geeignete Schutzabdeckung kann zu schweren persönlichen Verletzungen führen!
- **Benutzen Sie beim Gebrauch der Heckenschere beide Hände. Die Benutzung nur einer Hand kann zum Kontrollverlust führen und schwere Verletzungen verursachen.**

WICHTIGE SICHERHEITSHINWEISE

- Laden Sie den Akkusatz nicht im Regen oder an nassen Orten auf.
- Vor dem Entsorgen muss der Akku aus dem Gerät entfernt werden.
- Greifen Sie nicht die freiliegenden Messer oder Schneiden, wenn Sie die Heckenschere aufheben oder halten.
- Nicht auf Leitern, Dächern, Bäumen oder anderen instabilen Untergründen verwenden. Ein sicherer Halt auf festen Flächen ermöglicht es Ihnen, die Heckenschere auch in unerwarteten Situationen sicher kontrollieren zu können.
- Lassen Sie niemals Kinder die Heckenschere benutzen.
- Manipulieren oder entfernen Sie niemals die Sicherheitsvorrichtungen. Prüfen Sie regelmäßig, ob sie ordnungsgemäß funktionieren. Tun Sie niemals etwas, das die bestimmungsgemäße Funktion einer Sicherheitsvorrichtung beeinträchtigt oder den durch eine Sicherheitsvorrichtung bereitgestellten Schutz reduziert.
- Benutzen Sie die Heckenschere niemals, wenn die passenden Schutzabdeckungen, Platten oder andere Sicherheitsvorrichtungen nicht befestigt sind.
- Wechseln Sie die Klinge aus, falls sie verbogen oder gesprungen ist. Eine unsymmetrische Klinge verursacht Vibrationen, die den Motorantrieb beschädigen oder Verletzungen von Personen verursachen können.
- Falls das Gerät ungewöhnlich zu vibrieren beginnt, schalten Sie den Motor aus und suchen Sie sofort nach

der Ursache.

- Die Schere sollte zum Schneiden von Stängeln, die dünner als (33mm) sind, verwendet werden.
- Waschen Sie das Gerät nicht mit dem Wasserschlauch; lassen Sie kein Wasser in den Motor und die elektrischen Verbindungen gelangen.
- Folgen Sie den Anleitungen zum Ölen und Auswechseln des Zubehörs.
- Halten Sie die Griffe trocken, sauber und frei von Öl oder Fett.
- Heben Sie diese Anleitung auf. Schlagen Sie gegebenenfalls darin nach und verwenden Sie sie, um Andere in die Verwendung des Gerätes einzuweisen. Wenn Sie das Gerät an Andere verleihen, dann verleihen Sie auch diese Anleitung, um der falschen Handhabung und damit möglichen Verletzungen vorzubeugen.

- Der angegebene Schwingungs-Gesamtwert kann auch als einleitende Feststellung der Belastung verwendet werden.

HINWEIS: Die Schwingungs-Emission während der tatsächlichen Arbeit mit dem Elektrowerkzeug kann vom angegebenen Wert abweichen. Um den Bediener zu schützen, sollte man unter den tatsächlichen Bedingungen Handschuhe und Gehörschutz tragen

PACKLISTE

TEILNAME	MENGE
Heckenschere	1
Klingenschutz	1
Bedienungsanleitung	1

HEBEN SIE DIESE ANLEITUNG AUF!

TECHNISCHE DATEN

Spannung	56 V $\overline{\text{---}}$	56 V $\overline{\text{---}}$	
Messergeschwindigkeit	1800 /min	1800 /min	
Schnittlänge	65 cm	75 cm	
Schnittleistung	31 mm	31 mm	
Werkzeuggewicht	4,1 kg	4,2 kg	
Empfohlene Betriebstemperatur	0°C-40°C	0°C-40°C	
Empfohlene Lagertemperatur	-20°C-70°C	-20°C-70°C	
Gemessener Schalleistungspegel L_{WA}	90,1 dB(A) K=2,9 dB(A)	95,4 dB(A) K=1,52 dB(A)	
Schalldruckpegel am Ohr des Bedieners L_{PA}	80,1 dB(A) K=3 dB(A)	83,9 dB(A) K=2,5 dB(A)	
Garantierter Schalleistungspegel L_{WA} (nach 2000/14/EG)	93 dB(A)	97 dB(A)	
Vibration a_h	Hinterer Griff	3,2 m/s ² K=1,5 m/s ²	2,872 m/s ² K=1,5 m/s ²
	Vorderer Griff	3,9 m/s ² K=1,5 m/s ²	3,536 m/s ² K=1,5 m/s ²

- Der angegebene Schwingungs-Gesamtwert wurde in Übereinstimmung mit einer Standard-Testmethode gemessen und kann verwendet werden, um Werkzeuge miteinander zu vergleichen.

BESCHREIBUNG

AUFBAU (Abb. A)

1. Schutzkappe der Spitze
2. Messer
3. Messerschutz
4. Vorderer Schalthebel
5. Vorderer Griff
6. Entriegelungsschalter
7. Hinterer Schalthebel
8. Hinterer Griff
9. „U“-Haken
10. Buchse
11. Handschutz
12. Schutz

⚠️ WARNUNG: Dieses Produkt wird komplett montiert geliefert. Beim Gebrauch darf der Handschutz nicht entfernt werden. Wenn er beschädigt ist, muss er von einem geschulten Servicetechniker sofort ausgetauscht werden.

⚠️ WARNUNG: Der sichere Umgang mit diesem Produkt erfordert sowohl das Verstehen der Informationen auf dem Werkzeug und in dieser Anleitung als auch Wissen über die Arbeitsaufgabe, das Sie vorhaben. Machen Sie sich vor der Nutzung des Produkts mit allen Bedienmerkmalen und Sicherheitsregeln vertraut.

BEDIENUNG

⚠️ WARNUNG: Vermeiden Sie es, dass die Vertrautheit mit dem Produkt zu Nachlässigkeit führt. Denken Sie daran, dass ein kurzer Moment der Unachtsamkeit zu ernsthaften Verletzungen führen kann.

⚠️ WARNUNG: Tragen Sie immer einen Augenschutz mit Seitenschutz und einen Gehörschutz. Wenn Sie das unterlassen, kann es dazu kommen, dass Objekte in Ihre Augen geschleudert werden oder dass Ihnen andere mögliche ernsthafte Verletzungen widerfahren.

⚠️ WARNUNG: Um einen unbeabsichtigten Geräteanlauf bei der Montage von Teilen, bei Einstellarbeiten, beim Reinigen oder bei Nichtgebrauch zu verhindern, muss der Akku vom Gerät abgenommen werden. Andernfalls besteht schwere Verletzungsgefahr.

⚠️ WARNUNG: Verwenden Sie keine Zusätze oder Zubehörteile, die nicht von EGO™ empfohlen worden sind. Die Verwendung von anderen und nicht empfohlenen Zusätzen oder Zubehörteilen kann zu schweren Verletzungen führen.

Untersuchen Sie vor jedem Gebrauch das gesamte Produkt und prüfen Sie, ob Teile beschädigt, gelockert sind oder fehlen, z. B. Schrauben, Muttern, Bolzen, Kappen usw. Ziehen Sie alle Befestigungen und Kappen gut fest und benutzen Sie dieses Produkt erst, wenn alle fehlenden oder beschädigten Teile ersetzt worden sind.

Das Produkt kann im Regem benutzt werden.

ANBRINGEN/ABNEHMEN DES AKKUS

Nur mit akkus und ladegeräten verwenden, die in abb. A aufgeführt sind.

Laden Sie den Akku vor dem ersten Gebrauch auf.

Anschließen (Abb. B & C & D)

Richten Sie das ▲ Logo am Stecker und an der Heckenschere aufeinander aus und schieben Sie den Stecker in die Heckenschere, bis die grüne Dichtung vollständig in der Buchse verschwunden ist.

Befestigen Sie das Akkukabel am „U“-Haken.

Abnehmen (Abb. E)

Lösen Sie das Akkukabel vom „U“-Haken und ziehen Sie den Stecker aus der Heckenschere.

STARTEN/STOPPEN DER HECKENSCHERE

Nehmen Sie den Messerschutz vor Arbeitsbeginn ab und halten Sie die Heckenschere mit beiden Händen fest. Dabei ergreift eine Hand den hinteren und die andere den

vorderen Griff. Sorgen Sie anschließend für einen festen Stand, die korrekte Haltung und einen angemessenen Sicherheitsabstand beim Schneiden.

⚠️ WARNUNG: Lassen Sie immer beide Hände an den Griffen der Heckenschere. Halten Sie niemals Büsche mit einer Hand und bedienen Sie die Heckenschere mit der anderen. Die Missachtung dieser Warnung kann zu schweren Verletzungen führen.

⚠️ WARNUNG: Wenn Sie die Heckenschere anhalten, stellen Sie den Entriegelungsschalter auf „OFF“, bevor Sie den Akku entfernen. Andernfalls kann es zu schweren Verletzungen kommen.

Starten

Stellen Sie den Entriegelungsschalter auf „ON“ (Abb. F) und drücken Sie dann den hinteren Schalter. Halten Sie den hinteren Schalter gedrückt und drücken Sie weiter den vorderen Schalter zum Starten des Geräts.

Teilebezeichnung der Abb. F:

F-1	Entriegelungsschalter
F-2	Hinterer Schalthebel

Anhalten

Lassen Sie einen der Schalthebel los, um das Gerät anzuhalten, und stellen Sie den Entriegelungsschalter auf „OFF“, um ein unbeabsichtigtes Starten zu verhindern.

HINWEIS: Zum Einschalten der Heckenschere müssen beide Schalthebel gedrückt werden.

HALTEN DER HECKENSCHERE

Halten Sie die Heckenschere mit dem Messer vom Körper abgewandt mit beiden Händen jeweils am vorderen und hinteren Griff fest. Für verschiedene Schneidearbeiten empfehlen sich drei Haltepositionen (Abb. G & H & I).

BENUTZUNG DER HECKENSCHERE

⚠️ WARNUNG: Falls das Messer in einem Elektrokabel bzw. einer Elektroleitung festsetzt, **AUF KEINEN FALL DAS MESSER BERÜHREN! MÖGLICHERWEISE FLIESST STROM UND ES BESTEHT STROMSCHLAGGEFAHR.**

Halten Sie die Heckenschere weiterhin am isolierten hinteren Griff fest oder legen Sie die Heckenschere mit einem gewissen Sicherheitsabstand auf den Boden. Stellen Sie die Stromversorgung der beschädigten Leitung oder des Kabels ab, bevor Sie versuchen, das Messer aus der Elektroleitung zu entfernen. Andernfalls kann es zu schweren oder tödlichen Verletzungen kommen.

⚠️ WARNUNG: Um schwere Verletzungen zu vermeiden, halten Sie die Hände von den Klingen fern. Versuchen Sie nicht, Schnittgut zu entfernen oder das

Schnittgut zu halten, wenn die Klingen in Bewegung sind. Stellen Sie sicher, dass die Klingen komplett stillstehen und der Akkusatz entfernt wurde, bevor Sie Schnittgut, das sich zwischen den Klingen verfangen hat, entfernen. Greifen Sie nicht die freiliegenden Klingen oder Schneiden, wenn Sie das Gerät aufnehmen oder halten.

⚠️ WARNUNG: Räumen Sie den Arbeitsbereich vor jedem Gebrauch auf. Entfernen Sie alle Objekte wie Kabel, Lichter, Draht oder Schnur, die sich in den Klingen verheddern und eine Gefahr von schweren Verletzungen darstellen können.

⚠️ WARNUNG: Schneiden Sie nicht zu viele oder zu starke Sträucher auf einmal ab. Die Messer könnten verkantet. Das Werkzeug würde dadurch abgebremst und könnte nicht mehr effizient arbeiten.

HINWEIS: Beim Schneiden neuer Pflanzen eignet sich eine weite Schwenkbewegung, um dem Schneidmesser die Stängel direkt zuzuführen. Bei älteren Pflanzen sollte eher eine Sägebewegung zum Beschneiden dickerer Stämme ausgeführt werden. Eine Handsäge oder Baumsäge ohne Motorantrieb kommt für das Schneiden starker Stämme als erstes in Frage.

Spitzen schneiden

Führen Sie eine weite Schwenkbewegung aus. Wenn Sie die Messer in der Bewegungsrichtung beim Schneiden leicht nach unten neigen, erzielen Sie den besten Schnitt. Einen gleichmäßigeren Schnitt erhalten Sie, wenn Sie die Heckenhöhe vorher mit einer Richtschnur kennzeichnen (siehe Abb. J).

Seiten schneiden

Wenn Sie die Seiten der Hecke schneiden, beginnen Sie unten und schneiden Sie nach oben (siehe Abb. K).

Schutzkappe der Spitze

Die Schutzkappe der Spitze (Abb. L) erleichtert das Schneiden in Boden- oder Wandnähe und schützt die Spezialklingen gleichzeitig vor Beschädigungen.

Messerschutz

Der äußere Messerteil ist wie der Messerschutz geformt (Abb. M).

Teilebezeichnung der Abb. M:

M-1	Messer
M-2	Messerschutz

⚠️ WARNUNG: Prüfen Sie den Messerschutz immer auf Schäden oder Verzug. Bei Verzug oder Beschädigung auswechseln.

WARTUNG

⚠️ WARNUNG: Verwenden Sie für die Wartung nur identische Ersatzteile. Die Verwendung anderer Teile kann Unfälle und Schäden am Produkt hervorrufen. Um die Sicherheit und Zuverlässigkeit zu gewährleisten, sollten alle Reparaturen nur von qualifizierten Servicetechnikern durchgeführt werden.

⚠️ WARNUNG: Um schwere Verletzungen zu vermeiden, entfernen Sie immer den Akkusatz aus dem Produkt, wenn Sie das Gerät säubern oder Wartungsarbeiten vornehmen.

REINIGUNG

- Entfernen Sie mithilfe einer weichen Bürste Ablagerungen aus allen Lufteinlässen und der Klinge.
- Um Harz oder andere klebende Rückstände zu entfernen, sprühen Sie die Klingen mit einem Harzlöser ein. Lassen Sie den Motor kurz laufen, damit das Lösungsmittel gleichmäßig verteilt wird.
- Wischen Sie die Oberfläche mit einem trockenen Tuch ab.

⚠️ WARNUNG: Verwenden Sie keine Lösungsmittel zum Reinigen der Kunststoffteile. Die meisten Kunststoffe können durch verschiedene Arten von handelsüblichen Lösungsmitteln beschädigt werden. Nehmen Sie einen sauberen Lappen, um Schmutz, Staub, Öl, Fett usw. zu entfernen.

SCHÄRFEN DES MESSERS

1. Nehmen Sie den Akkusatz aus der Heckenschere.
2. AHB6500S/AHB7500S: Das Klingenmodul in einen Schraubstock spannen und die freiliegende Schnittfläche der einzelnen Zähne abfeilen. So wenig Material wie möglich entfernen. AHB6500/AHB7500 (Mit "⚙️" und "GEHÄRTET" auf der Klinge): Das Klingenmodul in einen Schraubstock spannen und die freiliegende Schnittfläche mit einer Diamantfeile oder einem langsamen Schleifgerät schärfen abfeilen (Umdrehungen <math><2500 \text{ min}^{-1}</math>, Vorschub <math><60 \text{ mm/min}</math>, Mesh >100).
3. Nehmen Sie die Heckenschere aus dem Schraubstock und passen Sie die ungeschärfte Klinge auf der anderen freiliegenden Seite an.

Wiederholen Sie den oben beschriebenen Vorgang, bis alle Messerzähne geschärft sind.

HINWEIS: Benutzen Sie Ihre Heckenschere nicht mit stumpfen oder beschädigten Messern. Dies kann zu einer Überlastung und mangelhaften Schnittergebnissen führen.

HINWEIS: Eine normale Metallfeile eignet sich nicht zum Schärfen des AHB6500/AHB7500 Spezialmessers.

HINWEIS: Wenn Sie ein nedertouriges Schleifgerät (Drehgeschwindigkeit < 2500 min⁻¹) zum Schärfen des Messers benutzen, wässern Sie die Messerzähne kontinuierlich während des Schleifvorgangs.

SCHMIEREN DER HECKENSCHERE

⚠️ WARNUNG: Schmieren Sie die Heckenschere nicht, solange sie noch mit dem Akku verbunden ist oder läuft.

Schmieren des messers

Für einen optimalen Betrieb und eine längere Messer-Nutzungsdauer schmieren Sie das Heckenscherenmesser mit einem leichten Maschinöl vor und nach jedem Gebrauch.

Entfernen Sie den Akku und legen Sie die Heckenschere auf eine ebene Fläche. Tragen Sie das Öl entlang des Randes des oberen Messers auf. (Abb. N).

Schmieren des getriebes

Für einen optimalen Betrieb und eine längere Nutzungsdauer schmieren Sie das Heckenscherengetriebe mit einem Spezialschmierstoff (5-6 g in #1 und 10-12 g in #2 jedes Mal) nach jeweils 50 Stunden Betrieb.

Der Spezialschmierstoff sollte die folgenden Anforderungen erfüllen.

1. Konuspenetration nach DIN51818: NLGI-2
2. Zusammensetzung aus Polyharnstoff-Verdicker + synthetischem Schmieröl
3. Ausgezeichnete Eigenschaften in Bezug auf Hochfahren bei niedrigen Temperaturen, EP, mechanische Scherung, Abriebfestigkeit und Oxidationsstabilität
4. Betriebstemperatur muss den Bereich -40~180°C umfassen.

Entfernen Sie die beiden Akkustecker und die zwei Verschlusschrauben (Abb. O). Schmieren Sie das Getriebe durch die Oloffnung.

HINWEIS: Das Getriebegehäuse nicht vollständig mit Fett befüllen.

TRANSPORT UND LAGERUNG

- Bringen Sie stets den Messerschutz am Messerblatt an, bevor Sie die Heckenschere einlagern oder transportieren. Nehmen Sie sich vor den scharfen Zähnen des Messers in Acht.
- Reinigen Sie die Heckenschere gründlich, bevor Sie sie lagern.
- Lagern Sie die Heckenschere im Haus an einem trockenen Ort, der nicht für Kinder erreichbar ist.
- Halten Sie sie von zersetzenden Mitteln wie Gartenchemikalien oder Tausalzen fern.

⚠️ WARNUNG: Die Klingen sind scharf. Wenn Sie die Klingeneinheit handhaben, tragen Sie rutschfeste, robuste Schutzhandschuhe. Legen Sie nicht Ihre Hand oder Finger zwischen die Klingen oder an eine Stelle, an der sie eingeklemmt oder geschnitten werden können. Berühren oder warten Sie die Klingen NIEMALS, wenn der Akkusatz eingelegt ist.

Schützen Sie die Umwelt



Elektrogeräte, alte Akkus und Ladegeräte dürfen nicht im Hausmüll entsorgt werden! Das Gerät muss einer offiziellen Recycling-Sammelstelle zur getrennten Entsorgung zugeführt werden.

Elektrowerkzeuge müssen bei einem umweltfreundlichen Recycling-Betrieb abgegeben werden.

STÖRUNGSBESEITIGUNG

PROBLEM	URSACHE	LÖSUNG
Heckenschere funktioniert nicht.	<ul style="list-style-type: none"> Der Akku ist nicht an der Heckenschere angeschlossen oder es besteht kein elektrischer Kontakt zwischen Heckenschere und Akku. 	<ul style="list-style-type: none"> Verbinden Sie den Akkustecker wieder mit der Heckenschere.
	<ul style="list-style-type: none"> Der Akku ist leer. 	<ul style="list-style-type: none"> Laden Sie den Akku mit dem vorgeschriebenen Ladegerät auf.
	<ul style="list-style-type: none"> Der Entriegelungsschalter wurde vor dem Drücken der Schalthebel nicht auf „ON“ gestellt. 	<ul style="list-style-type: none"> Stellen Sie vor der Benutzung der Heckenschere sicher, dass der Entriegelungsschalter gelöst ist.
	<ul style="list-style-type: none"> Der Akku oder die Heckenschere ist zu heiß. 	<ul style="list-style-type: none"> Lassen Sie den Akku oder die Heckenschere auf die normale Temperatur abkühlen.
	<ul style="list-style-type: none"> Die Klinge ist blockiert. 	<ul style="list-style-type: none"> Entfernen Sie den Akku aus dem Werkzeug. Entfernen Sie vorsichtig die Blockade, setzen Sie den Akku wieder ein und starten Sie das Werkzeug.
	<ul style="list-style-type: none"> Die Heckenschere ist überlastet. 	<ul style="list-style-type: none"> Verringern Sie die Belastung der Maschine.
Übermäßig starke Vibrationen oder lautes Geräusch.	<ul style="list-style-type: none"> Trockene oder verrostete Klingen. 	<ul style="list-style-type: none"> Schmieren Sie die Messer.
	<ul style="list-style-type: none"> Klingen oder Klingenthalerung sind verbogen. 	<ul style="list-style-type: none"> Montieren Sie ein neues Messer oder eine neue Halterung. Kontaktieren Sie das EGO Servicecenter, um Messer oder Halterung auswechseln zu lassen.
	<ul style="list-style-type: none"> Verbogene oder beschädigte Zähne. 	<ul style="list-style-type: none"> Montieren Sie ein neues Messer. Kontaktieren Sie das EGO-Servicezentrum zwecks Reparatur.
	<ul style="list-style-type: none"> Gelockerte Schrauben an der Klinge. 	<ul style="list-style-type: none"> Ziehen Sie die Schrauben der Klinge an. Ziehen Sie die Schraube im Uhrzeigersinn mit einem Schraubenschlüssel an.

GARANTIE

EGO-GARANTIEBEDINGUNGEN

Sämtliche Bedingungen der GEO Garantie finden Sie auf der Website egopowerplus.eu.

LISEZ TOUTES LES INSTRUCTIONS!

FR



LISEZ LE MANUEL D'UTILISATION

⚠ AVERTISSEMENT : Pour garantir la sécurité et la fiabilité, toutes les réparations et tous les changements de pièce doivent être effectués par un réparateur qualifié.

SYMBOLES DE SÉCURITÉ

L'objectif des symboles de sécurité est d'attirer votre attention sur des dangers potentiels. Les symboles de sécurité et les explications les accompagnant doivent être lus avec attention et compris. Les symboles de mise en garde ne permettent pas par eux-mêmes d'éliminer les dangers.

Les consignes et mises en garde ne se substituent pas à des mesures de prévention appropriées des accidents.

⚠ AVERTISSEMENT : Lisez et comprenez impérativement toutes les consignes de sécurité de ce manuel d'utilisation, y compris les symboles de mise en garde de sécurité tels que « **DANGER** », « **AVERTISSEMENT** » et « **ATTENTION** » avant d'utiliser cet outil. Ne pas respecter toutes les consignes listées ci-après peut provoquer un choc électrique, un incendie et/ou des blessures corporelles graves.

SIGNIFICATION DES SYMBOLES

SYMBOLE DE MISE EN GARDE DE SÉCURITÉ

: Indique un **DANGER**, un **AVERTISSEMENT** ou une **PRÉCAUTION**. Peut être utilisé en conjonction d'autres symboles ou pictogrammes.

⚠ AVERTISSEMENT : L'utilisation d'un outil électrique peut provoquer la projection d'objets étrangers dans vos yeux, ce qui peut provoquer des lésions oculaires graves. Avant de mettre un outil électrique en marche, portez toujours un masque de sécurité ou des lunettes de sécurité avec boucliers latéraux, ou un masque facial intégral quand cela est nécessaire. Nous vous recommandons de porter un Masque de Sécurité à Vision Panoramique par-dessus des lunettes de vue ou des lunettes de sécurité standards avec boucliers latéraux.

CONSIGNES DE SÉCURITÉ

Cette page décrit des symboles de sécurité pouvant être présents sur le produit. Lisez, comprenez et respectez toutes les instructions présentes sur l'outil avant d'essayer de l'assembler et de l'utiliser.

	Alerte de sécurité	Indique un danger potentiel de blessure corporelle.
	Lire le manuel d'utilisation.	Afin de réduire les risques de blessures, l'utilisateur doit lire le manuel d'utilisation.
	Maintenir les mains et les pieds éloignés des pièces de coupe.	Ne jamais essayer d'utiliser votre outil électrique d'une main. La perte de contrôle de l'outil électrique peut provoquer des blessures graves ou mortelles. Pour réduire le risque de blessures par coupure, maintenir les mains et les pieds éloignés de l'accessoire de coupe. Ne jamais toucher un accessoire de coupe mobile avec la main ou une autre partie de votre corps.
	Porter une protection oculaire	Toujours porter un masque de sécurité ou des lunettes de sécurité avec boucliers latéraux et un masque facial intégral lors de l'utilisation de ce produit.
	Bruit	Niveau de puissance acoustique garanti. Émission de bruit dans l'environnement conformément à la directive CE.
	CE	Ce produit est conforme aux directives CE applicables.
	UKCA	Ce produit est conforme à la législation britannique applicable.
	DEEE	Les produits électriques usagés ne doivent pas être jetés avec les ordures ménagères. Apportez-les dans un centre de recyclage agréé.

	Longueur de la lame	Longueur de la lame
	Capacité de coupe	Capacité de coupe maximale de la lame
IPX5	Symbole IP	Protection contre les jets d'eau
V	Volt	Tension
	Courant continu	Type ou caractéristique du courant
.../min	Par minute	Rotations par minute
mm	Millimètre	Longueur ou taille
cm	Centimètre	Longueur ou taille
n ₀	Régime à vide	Vitesse de rotation sans charge

CONSIGNES DE SÉCURITÉ GÉNÉRALES POUR L'OUTIL ÉLECTRIQUE

⚠ AVERTISSEMENT : Lisez toutes les mises en garde, instructions, illustrations et spécifications fournies avec cet outil électrique. Ne pas respecter toutes les instructions listées dans ce manuel d'utilisation peut provoquer un choc électrique, un incendie et/ou des blessures graves.

Conservez tous les consignes de sécurité et toutes les instructions pour consultation ultérieure.

Le terme « outil électrique » utilisé dans les consignes de sécurité désigne votre outil électrique fonctionnant sur le secteur (filaire) ou sur batterie (sans fil).

SÉCURITÉ DE L'AIRE DE TRAVAIL

- **Maintenez l'aire de travail propre et bien rangée.** Les aires de travail en désordre ou mal éclairées augmentent les risques d'accident.
- **N'utilisez pas les outils électriques dans une atmosphère explosive, par exemple en présence de liquides, gaz ou poussières inflammables.** Les outils électriques génèrent des étincelles pouvant enflammer poussières et vapeurs.
- **Veillez à ce que les enfants et les autres personnes restent éloignés quand vous utilisez un outil électrique.** Un moment d'inattention peut vous faire perdre le contrôle de l'outil.

SÉCURITÉ ÉLECTRIQUE

- **La fiche de l'outil électrique doit correspondre à la prise électrique. Ne modifiez jamais la fiche**

de quelque manière que ce soit. N'utilisez jamais d'adaptateur de prise avec les outils électriques pourvus d'une mise à la terre ou à la masse. Les fiches non modifiées et les prises électriques appropriées réduisent le risque de choc électrique.

- **Évitez tout contact physique avec des surfaces mises à la terre ou mises à la masse, telles que tuyaux, radiateurs, fours et réfrigérateurs.** Il y a un risque accru de choc électrique si votre corps est relié à la terre ou à la masse, directement ou indirectement.
- **N'exposez pas les outils électriques à la pluie ou à un environnement mouillé.** Si de l'eau pénètre dans un outil électrique, cela accroît le risque de choc électrique.
- **Ne maltraitez pas le cordon d'alimentation de la batterie. N'utilisez jamais le cordon d'alimentation pour porter, tirer ou débrancher l'outil électrique. Veillez à ce que le cordon d'alimentation n'entre jamais en contact avec de l'huile, des pièces mobiles, des arêtes tranchantes, et ne soit jamais exposé à la chaleur.** Les cordons d'alimentation endommagés ou emmêlés augmentent le risque de choc électrique.
- **Quand vous utilisez un outil électrique en extérieur, utilisez une rallonge électrique adaptée à un usage en extérieur.** L'utilisation d'une rallonge conçue pour un usage en extérieur permet de réduire le risque de choc électrique.
- **Si vous êtes obligé d'utiliser un outil électrique dans un endroit humide, utilisez une alimentation protégée par un dispositif différentiel à courant résiduel (DDR).** L'utilisation d'un DDR réduit le risque de choc électrique.

SÉCURITÉ DES PERSONNES

- **Restez vigilant, soyez attentif à ce que vous faites et faites preuve de bon sens lors de l'utilisation d'un outil électrique. N'utilisez pas un outil électrique quand vous êtes fatigué, sous l'emprise de l'alcool, de stupéfiants ou de médicaments.** Un moment d'inattention pendant l'utilisation d'un outil électrique peut provoquer des blessures corporelles graves.
- **Utilisez des équipements de protection individuelle. Portez toujours une protection oculaire.** L'utilisation d'équipements de protection appropriés aux conditions de travail, tels que masque antipoussières, chaussures de sécurité antidérapantes, casque et protections auditives, permet de réduire les risques de blessures corporelles.
- **vitez les démarrages accidentels. Vérifiez que l'interrupteur marche/arrêt est dans la position arrêt avant de brancher l'outil dans une prise**

électrique et/ou une batterie, de le saisir ou de le transporter. Transporter un outil électrique les doigts sur son interrupteur marche/arrêt ou le brancher dans une alimentation électrique alors que son interrupteur marche/arrêt est dans la position marche favorise les accidents.

- **Retirez les clés de réglage et de serrage avant de mettre l'outil en marche.** Une clé de réglage ou de serrage laissée sur une pièce rotative de l'outil électrique peut provoquer des blessures corporelles.
- **N'essayez pas d'atteindre des endroits difficiles à atteindre.** Ayez toujours des appuis des pieds stables et conservez constamment un bon équilibre. Cela vous garantit un meilleur contrôle de l'outil électrique en cas de situations inattendues.
- **Portez une tenue appropriée. Ne portez pas de vêtement ample ni de bijou. Maintenez vos cheveux et vos vêtements éloignés des pièces mobiles.** Les vêtements amples, les bijoux et les cheveux longs peuvent se prendre dans les pièces mobiles.
- **Si un outil est conçu pour être utilisé avec des dispositifs d'extraction et de récupération des poussières, veillez à ce que ces dispositifs soient raccordés et correctement utilisés.** L'utilisation de dispositifs de récupération des poussières permet de réduire les risques liés aux poussières.
- **Veillez à ne pas devenir trop sûr de vous et à ne pas vous mettre à ne plus respecter les principes de sécurité à cause de la familiarité acquise par les utilisations fréquentes des outils.** La négligence peut provoquer des blessures graves en une fraction de seconde.

UTILISATION ET ENTRETIEN DES OUTILS ÉLECTRIQUES

- **Ne forcez pas l'outil électrique. Utilisez l'outil électrique adapté au travail à effectuer.** L'outil électrique adéquat vous permettra de mieux accomplir le travail avec plus de sécurité et au rythme pour lequel il a été conçu.
- **N'utilisez pas un outil électrique si son interrupteur marche/arrêt ne permet plus de l'allumer ou de l'éteindre.** Tout outil électrique qui ne peut pas être contrôlé par son interrupteur marche/arrêt est dangereux et doit être réparé.
- **Débranchez la fiche de l'alimentation électrique et/ou retirez la batterie, si amovible, de l'outil électrique avant tout réglage ou changement d'accessoire, et avant de ranger l'outil électrique.** Cette mesure de sécurité préventive réduit le risque de

démarrage accidentel de l'outil électrique.

- **Rangez les outils électriques non utilisés hors de portée des enfants. Ne laissez aucune personne non familiarisée avec l'outil électrique ou ce manuel d'utilisation l'utiliser.** Les outils électriques sont dangereux dans les mains de personnes inexpérimentées.
- **Entretenez les outils électriques et les accessoires. Inspectez-les pour vérifier qu'aucune pièce mobile n'est grippée ou mal alignée, qu'aucune pièce n'est cassée, et pour tout autre problème qui pourrait affecter leur fonctionnement. Si un outil électrique est endommagé, il doit être réparé avant d'être utilisé.** Beaucoup d'accidents sont dus à des outils électriques mal entretenus.
- **Veillez à ce que les accessoires de coupe restent affûtés et propres.** Des accessoires de coupes bien entretenus et bien affûtés risquent moins de se coincer et facilitent le contrôle de l'outil.
- **Utilisez l'outil électrique, ses accessoires, mèches/embutés et toutes les autres pièces conformément aux présentes instructions, en prenant en compte les conditions d'utilisation et le travail à effectuer.** Utiliser l'outil électrique à d'autres finalités que celles pour lesquelles il a été conçu peut engendrer des situations dangereuses.
- **Maintenez les poignées et surfaces de préhension propres, sèches et exemptes d'huile et de graisse.** Les poignées et surfaces de préhension glissantes ne permettent pas de tenir et de contrôler l'outil de manière sûre en cas de situations inattendues.

UTILISATION ET ENTRETIEN DES OUTILS ALIMENTÉS PAR BATTERIE

- **La batterie ne doit être rechargée qu'avec le chargeur spécifié par le fabricant.** Un chargeur adapté à un type de batterie peut présenter un risque d'incendie s'il est utilisé avec une batterie différente.
- **Utilisez les outils électriques exclusivement avec les batteries spécifiées.** L'utilisation de toute autre batterie peut créer un risque de blessures et d'incendie.
- **Quand la batterie n'est pas utilisée, elle doit être rangée loin de tout objet métallique, tel que trombone, pièce de monnaie, clé, clou, vis et tout autre petit objet métallique qui risquerait de mettre en contact ses bornes.** Court-circuiter les bornes de la batterie peut provoquer des brûlures et un incendie.
- **Si la batterie est soumise à des conditions d'utilisation excessives, du liquide peut s'en échapper. Évitez tout contact avec ce liquide. En cas de contact accidentel, rincez à grande eau.** En

cas de contact avec les yeux, vous devez en outre consulter un médecin. Le liquide qui s'échappe de la batterie peut provoquer des irritations et des brûlures.

- **Respectez toutes les instructions de recharge et ne rechargez pas la batterie ou l'outil quand la température ambiante est en dehors de la plage spécifiée dans les instructions.** La recharge incorrecte ou à des températures hors de la plage spécifiée peut endommager la batterie et accroître le risque d'incendie.
- **N'utilisez pas une batterie ou un outil endommagé ou modifié.** Les batteries modifiées ou endommagées peuvent avoir un comportement imprévisible provoquant un incendie, une explosion ou un risque de blessure.
- **N'exposez pas la batterie ou l'outil à des flammes ou à une température excessive.** L'exposition au feu ou à des températures supérieures à 100 °C peut provoquer une explosion.

REPARATION

- **Faites réparer votre outil électrique par un réparateur qualifié qui ne doit utiliser que des pièces de rechange identiques.** Cela permet de préserver la sécurité d'utilisation de l'outil.
- **Ne faites jamais réparer une batterie endommagée.** La réparation des batteries doit toujours être effectuée par le fabricant ou des réparateurs agréés.

CONSIGNES DE SÉCURITÉ POUR LES TAILLE-HAIES

- **Veillez à maintenir toutes les parties de votre corps éloignées des lames. N'essayez pas de retirer du matériau coupé ni de tenir le matériau à couper quand les lames sont en mouvement. Vérifiez que l'interrupteur marche/arrêt de l'outil est sur la position arrêt avant d'enlever des matériaux coincés.** Un moment d'inattention pendant l'utilisation du taille-haie peut suffire pour provoquer de graves blessures corporelles.
- **Portez le taille-haie par sa poignée quand ses lames sont à l'arrêt.** Remettez toujours le fourreau sur les lames avant de ranger ou de transporter le taille-haie. Manipuler correctement le taille-haie permet de réduire les risques de blessures corporelles dus aux lames.
- **Tenez l'outil électrique exclusivement par ses surfaces de préhension isolantes, car les lames peuvent entrer en contact avec des câbles électriques non visibles.** Si les lames entrent en contact avec un câble électrique sous tension, les parties métalliques non carénées de l'outil électrique peuvent se retrouver sous tension et l'opérateur risque de subir un choc électrique.

- **Maintenez le cordon d'alimentation de la batterie éloigné de la zone de coupe.** Pendant l'utilisation, le cordon d'alimentation peut être caché par des branchages et être accidentellement sectionné par la lame de l'outil.

- Avant d'utiliser l'outil, inspectez la haie pour détecter les objets étrangers, par exemple des clôtures en fils métalliques.

- Utilisez toujours le taille-haie avec le protège-main correctement assemblé. L'utilisation du taille-haie sans le protège-main approprié peut provoquer des blessures corporelles graves !

- **Tenez le taille-haie à deux mains pendant son utilisation. Tenir l'outil d'une seule main peut provoquer la perte de contrôle de l'outil et des blessures corporelles graves.**

CONSIGNES DE SÉCURITÉ IMPORTANTES

- Ne rechargez pas la batterie sous la pluie ni dans les endroits mouillés.
- La batterie doit être retirée de l'outil avant la mise au rebut.
- Ne saisissez pas les lames et les bords de coupe non protégés lorsque vous saisissez ou tenez l'outil.
- N'utilisez pas l'outil sur une échelle, un toit, un arbre, ni aucun autre support instable. Des appuis stables sur une surface solide permettent d'avoir un meilleur contrôle du taille-haie en cas de situations inattendues.
- Ne laissez jamais les enfants utiliser l'outil.
- Ne retirez jamais et ne modifiez jamais les dispositifs de sécurité. Contrôlez régulièrement leur bon fonctionnement. Ne faites jamais rien qui pourrait interférer avec la fonction prévue d'un dispositif de sécurité ou qui pourrait réduire la protection fournie par un dispositif de sécurité.
- Inspectez fréquemment les boulons de fixation du moteur et de la lame pour vérifier qu'ils sont correctement serrés. Inspectez également visuellement la lame pour vérifier qu'elle n'est pas endommagée (par exemple tordue, ébréchée ou usée). Remplacez la lame exclusivement par une lame EGO™.
- Remplacez la lame si elle est tordue ou ébréchée. Une lame déséquilibrée générera des vibrations pouvant endommager l'unité motrice et provoquer des blessures corporelles.
- Si l'outil se met à vibrer anormalement, éteignez immédiatement le moteur et inspectez l'outil pour en trouver la cause.
- L'outil peut être utilisé pour couper des branches d'une épaisseur inférieure à 33 mm.

- Ne lavez pas l'outil avec un tuyau. Veillez à ce que de l'eau ne pénètre pas dans le moteur ni sur les connexions électriques.
- Respectez les instructions concernant la lubrification et le remplacement des accessoires.
- Veillez à ce que les poignées restent propres, sèches et exemptes d'huile et de graisse.
- Conservez ce manuel d'utilisation. Consultez-le fréquemment et servez-vous-en pour instruire les autres personnes devant utiliser cet outil. Si vous prêtez cet outil à un tiers, prêtez-lui également ce manuel d'utilisation pour éviter l'utilisation incorrecte du produit et des blessures potentielles.

CONSERVEZ CE MANUEL D'UTILISATION !

SPÉCIFICATIONS

Tension	56 V ---	56 V ---	
Vitesse de la lame	1800 /min	1800 /min	
Longueur de coupe	65 cm	75 cm	
Capacité de coupe	31 mm	31 mm	
Poids de l'outil	4,1 kg	4,2 kg	
Température d'utilisation recommandée	0°C-40°C	0°C-40°C	
Température de stockage recommandée	-20°C-70°C	-20°C-70°C	
Niveau de puissance acoustique mesuré L_{WA}	90,1 dB(A) K=2,9 dB(A)	95,4 dB(A) K=1,52 dB(A)	
Niveau de pression acoustique au niveau des oreilles de l'opérateur L_{PA}	80,1 dB(A) K=3 dB(A)	83,9 dB(A) K=2,5 dB(A)	
Niveau de puissance acoustique garanti L_{WA} (d'après 2000/14/CE)	93 dB(A)	97 dB(A)	
Vibration a_h	Poignée arrière	3,2 m/s ² K=1,5 m/s ²	2,872 m/s ² K=1,5 m/s ²
	Poignée avant	3,9 m/s ² K=1,5 m/s ²	3,536 m/s ² K=1,5 m/s ²

- La valeur totale des vibrations indiquée a été mesurée selon une procédure conforme à une méthode de test standardisée et peut servir pour comparer différents outils.
- La valeur totale des vibrations indiquée peut également servir pour effectuer une première évaluation de l'exposition.

REMARQUE : L'émission de vibrations pendant l'utilisation réelle de l'outil électrique est fonction de la manière dont il est utilisé et peut différer de la valeur

indiquée. Pour se protéger, l'opérateur doit porter des gants et un casque antibruit dans les conditions actuelles d'utilisation.

CONTENU DE L'EMBALLAGE

NOM DE PIÈCE	QUANTITÉ
Taille-haie	1
Bouclier	1
Manuel d'utilisation	1

DESCRIPTION

DESCRIPTION DE VOTRE TAILLE-HAIE (IMAGE A)

1. Protection de bout de lame
2. Lame
3. Fourreau de lame
4. Interrupteur marche/arrêt avant
5. Poignée avant
6. Bouton de déverrouillage
7. Interrupteur marche/arrêt arrière
8. Poignée arrière
9. Crochet en U
10. Prise d'alimentation
11. Protège-main
12. Bouclier

⚠ AVERTISSEMENT : Ce produit a été expédié intégralement assemblé. Le protège-main ne doit jamais être retiré pendant l'utilisation. S'il est endommagé, faites-le remplacer immédiatement par un réparateur qualifié.

⚠ AVERTISSEMENT : L'utilisation sécurisée de ce produit nécessite de comprendre les informations présentes sur l'outil et dans ce manuel d'utilisation, ainsi que de connaître le travail que vous voulez effectuer. Avant d'utiliser ce produit, familiarisez-vous avec toutes ses fonctions et toutes les consignes de sécurité.

UTILISATION

⚠ AVERTISSEMENT : Veillez à ne pas devenir moins prudent au fur et à mesure que vous vous familiarisez avec cet outil. Gardez à l'esprit qu'une seconde d'inattention peut suffire pour provoquer des blessures graves.

⚠ AVERTISSEMENT : Portez toujours une protection oculaire avec boucliers latéraux et une protection auditive. Sans ce type de protection, des objets peuvent être projetés dans vos yeux et d'autres blessures graves peuvent se produire.

⚠ AVERTISSEMENT : Pour éviter un démarrage accidentel pouvant provoquer des blessures corporelles graves, retirez toujours la batterie de l'outil avant toute opération d'assemblage de pièce, de réglage ou de nettoyage et quand l'outil n'est pas utilisé.

⚠ AVERTISSEMENT : N'utilisez pas d'accessoire non recommandé par EGO™. L'utilisation d'accessoires ou de pièces non recommandés peut provoquer de graves blessures corporelles.

Avant chaque utilisation, inspectez entièrement l'outil pour vérifier qu'aucune pièce n'est endommagée, manquante ou desserrée, par exemple les vis, écrous, boulons, capuchons, etc. Resserrez fermement toutes les fixations et fixez solidement tous les capuchons. N'utilisez pas ce produit tant que toutes les pièces manquantes ou endommagées n'ont pas été remplacées.

Ce produit peut être utilisé sous la pluie.

INSTALLER/RETIRER LA BATTERIE

Utilisez exclusivement les batteries et les chargeurs listes a la fig. A.

Rechargez la batterie avant la première utilisation.

Insertion (Image B & C & D)

Alignez les symboles ▲ de la fiche et du taille-haie, et branchez la fiche dans le taille-haie jusqu'à ce que le joint vert disparaisse complètement dans la prise.

Placez le cordon d'alimentation de la batterie dans le crochet en U.

Démontage (Image E)

Détachez le cordon d'alimentation de la batterie du crochet en U et tirez la fiche hors du taille-haie.

DÉMARRER ET ÉTEINDRE LE TAILLE-HAIE

Avant d'utiliser l'outil, retirez le fourreau de lame et saisissez l'outil à deux mains, une main sur la poignée arrière et l'autre main sur la poignée avant. Puis veillez à avoir des appuis des pieds stables, une posture appropriée et à être à une distance de coupe appropriée.

⚠ AVERTISSEMENT : Tenez toujours les poignées du taille-haie à deux mains. Ne tenez jamais les arbustes d'une main tout en manœuvrant le taille-haie de l'autre main. Ne pas respecter cette mise en garde peut provoquer des blessures graves.

⚠ AVERTISSEMENT : Quand vous éteignez le taille-haie, positionnez le bouton de déverrouillage sur la position arrêt « OFF » avant de retirer la batterie. Ne pas respecter cette mise en garde peut provoquer des blessures graves.

Allumer l'outil

Poussez le bouton de déverrouillage sur la position marche « ON » (Image F), puis appuyez sur l'interrupteur marche/arrêt arrière. Avec l'interrupteur marche/arrêt arrière appuyé, appuyez sur l'interrupteur marche/arrêt avant pour démarrer l'outil.

Image F Description des pièces, voir ci-dessous :

F-1	Bouton de déverrouillage
F-2	Interrupteur marche/arrêt arrière

Arrêter l'outil

Relâchez l'un des interrupteurs marche/arrêt pour arrêter l'outil et remettez le bouton de déverrouillage dans la position arrêt « OFF » pour prévenir un démarrage accidentel.

REMARQUE : Les deux interrupteurs marche/arrêt doivent être appuyés pour que le taille-haie démarre.

TENIR LE TAILLE-HAIE

En positionnant la lame du côté opposé à vous, saisissez le taille-haie à deux mains avec une main tenant sa poignée avant et l'autre main tenant sa poignée arrière. Trois orientations différentes permettent de s'adapter aux différents travaux de coupe (Images G, H et I).

UTILISER LE TAILLE-HAIE

⚠ AVERTISSEMENT : Si la lame se coince sur un câble électrique, **NE TOUCHEZ PAS LA LAME ! ELLE PEUT ÊTRE SOUS TENSION ÉLECTRIQUE ET ÊTRE TRÈS DANGEREUSE.** Continuez de tenir le taille-haie par sa poignée arrière isolante ou posez-le loin de vous d'une manière sécurisée. Débranchez le câble électrique endommagé de l'alimentation électrique avant d'essayer de décoincer la lame du câble électrique. Ne pas respecter cette mise en garde peut provoquer des blessures graves ou mortelles.

⚠ AVERTISSEMENT : Pour éviter des blessures corporelles graves, maintenez vos mains éloignées des lames. N'essayez pas de retirer du matériau coupé ni de tenir le matériau à couper quand les lames sont en mouvement. Assurez-vous que les lames se sont complètement arrêtées et que la batterie a été retirée avant d'enlever des matériaux coincés dans les lames. Ne saisissez pas les lames et les bords de coupe non protégés lorsque vous saisissez ou tenez l'outil.

⚠ AVERTISSEMENT : Nettoyez la zone à couper avant chaque utilisation. Retirez tous les objets pouvant s'emêmer dans les lames (par exemple les cordes et cordelettes, les lampes, les fils métalliques) et engendrer un risque de blessures corporelles graves.

⚠ AVERTISSEMENT : Ne taillez pas trop de végétaux en même temps ou des végétaux très denses. Cela peut tordre et ralentir les lames, et réduire l'efficacité de coupe.

REMARQUE : Lors de la taille de jeunes pousses, un grand mouvement de balayage permet de couper directement les tiges avec la lame. Pour couper les végétaux plus anciens, un mouvement de sciage permet de couper les tiges plus épaisses. Il est conseillé de d'abord couper les grosses branches avec une scie manuelle ou une scie à élaguer non électrique.

Coupe supérieure

Utilisez un grand mouvement de balayage. Pour obtenir un résultat optimal, inclinez légèrement les lames vers le bas dans le sens du mouvement. Pour un meilleur résultat de coupe, vous pouvez aussi utiliser une corde pour servir de guide et indiquer la hauteur de la haie, comme montré sur l'image J.

Coupe latérale

Lors de la coupe des côtés d'une haie, commencez par le bas et coupez vers le haut (Image K).

Protection de bout de lame

La protection de bout de lame (Image L) sert à protéger l'extrémité externe de la lame.

Protections de lame

La partie externe des dents a la forme des protections de lame (Image M).

Image M Description des pièces, voir ci-dessous :

M-1	Lame
M-2	Protection de lame

⚠ AVERTISSEMENT : Vérifiez toujours que les protections de lame ne sont pas endommagées ni tordues. Changez-les si elles sont tordues ou endommagées.

ENTRETIEN

⚠ AVERTISSEMENT : L'outil ne doit être réparé qu'avec des pièces de rechange identique. L'utilisation

de toute autre pièce peut créer un danger ou détériorer le produit. Pour garantir la sécurité et la fiabilité, toutes les réparations doivent être effectuées par un réparateur qualifié.


⚠ AVERTISSEMENT : Afin de vous prémunir contre des blessures corporelles graves, retirez toujours la batterie de l'outil avant de le nettoyer ou de l'entretenir.

NETTOYAGE

- Utilisez une brosse souple pour enlever les débris de toutes les ouïes de ventilation et de la lame.
- Pour enlever la sève et les autres résidus collants, pulvérisez un solvant de résine sur les lames. Allumez brièvement le moteur pour répartir uniformément le solvant.
- Essayez la surface avec un chiffon sec.

⚠ AVERTISSEMENT : N'utilisez pas de solvant pour nettoyer les pièces en plastique. La plupart des plastiques peuvent être détériorés par de nombreux types de solvants vendus dans le commerce. Utilisez des chiffons propres pour enlever les saletés, les poussières, l'huile, la graisse, etc.

AFFÛTER LA LAME

1. Retirez la batterie du taille-haie.
2. AHB6500S/AHB7500S: Fixez les lames dans un étai et limez les surfaces de coupe exposées sur chaque dent. Enlevez aussi peu de matière que possible. AHB6500/AHB7500 (avec «» et « DURCI » sur la surface de la lame) : Fixez la lame dans un étai et affûtez la surface de coupe exposée avec une lime diamantée ou une meuleuse à basse vitesse (vitesse de rotation < 2500 min⁻¹, vitesse d'avancement < 60 mm/min, valeur mesh > 100). Enlevez aussi peu de matière que possible.
3. Retirez le taille-haie de l'étai et réglez-le en sorte que l'autre côté non affûté de la lame soit exposé.

Répétez la procédure susmentionnée jusqu'à ce que toutes les dents de lame aient été affûtées.

REMARQUE : N'utilisez pas votre taille-haie avec des lames endommagées ou émoussées. Cela pourrait le mettre en surcharge et la coupe ne sera pas satisfaisante.

REMARQUE : Une lime métallique normale ne convient pas pour affûter la lame spéciale AHB6500/AHB7500.

REMARQUE : Lors de l'utilisation d'une meuleuse à basse vitesse (vitesse de rotation < 2500 min⁻¹) pour affûter la lame de coupe, arrosez les dents de la lame en continu pendant le meulage.

LUBRIFIER LE TAILLE-HAIE

⚠ AVERTISSEMENT : Ne lubrifiez pas pendant que le taille-haie est encore connecté à la batterie ou encore en fonctionnement.

Lubrifier la lame

Pour faciliter l'utilisation et prolonger la durée de vie de la lame, lubrifiez la lame du taille-haie avec une huile pour outil de faible viscosité avant et après chaque utilisation.

Retirez la batterie, puis posez le taille-haie sur une surface plane. Appliquez de l'huile sur le bord de la lame supérieure (Image N).

Lubrifier le boîtier d'engrenage

Pour optimiser le fonctionnement et maximiser la durée de vie, lubrifiez le boîtier d'engrenage du taille-haie avec une graisse spéciale (environ -6 g à l'emplacement 1 et -12 g à l'emplacement 2 à chaque fois) toutes les 50 heures d'utilisation.

La graisse spéciale doit satisfaire aux critères suivants :

1. Appartenir à la classe NLGI-2 de profondeur de pénétration d'un cône selon la norme DIN51818.
2. Être composé d'épaississants polyures et d'huile de lubrification synthétique.
3. Avoir d'excellentes propriétés de démarrage à basse température, de résistance aux pressions extrêmes, au cisaillement mécanique et à l'abrasion, et de stabilité à l'oxydation.
4. Températures d'utilisation comprises entre -40 °C et 180 °C.

Débranchez la fiche de la batterie et les deux vis d'étanchéité (Image O). Lubrifiez le boîtier d'engrenage par le trou de graissage.

REMARQUE : Ne remplissez pas complètement le boîtier d'engrenage avec de la graisse.

⚠ AVERTISSEMENT : N'huilez pas la lame quand le taille-haie est en fonctionnement.

TRANSPORT ET RANGEMENT

- Insérez toujours le fourreau de lame sur la lame avant de ranger ou de transporter le taille-haie. Faites attention à ne pas toucher les dents tranchantes de la lame.
- Nettoyez soigneusement le taille-haie avant de le ranger.
- Rangez le taille-haie en intérieur, dans un endroit sec et hors de portée des enfants.
- Veillez à ce qu'il reste éloigné des produits corrosifs, par exemple les produits chimiques de jardinage et les

sels de déverglageage.

⚠ AVERTISSEMENT : Les lames sont tranchantes. Lors de la manipulation de la lame, portez des gants protecteurs antidérapants pour travaux lourds. Ne placez pas votre main ou vos doigts entre les lames ni dans aucune position où ils pourraient être pincés ou coupés. Ne touchez JAMAIS les lames et ne réparez JAMAIS l'outil avec sa batterie installée.

Protection de l'environnement



Ne jetez pas les équipements électriques, les batteries et les chargeurs usagés avec les ordures ménagères ! Apportez ce produit chez un recycleur agréé et rendez-le disponible pour une collecte séparée. Les outils électriques doivent être amenés dans un centre de recyclage pour assurer le respect de l'environnement.

DÉPANNAGE

FR

PROBLÈME	CAUSE	SOLUTION
Le taille-haie ne s'allume pas.	<ul style="list-style-type: none"> La batterie n'est pas branchée au taille-haie ou il n'y a pas de contact électrique entre le taille-haie et la batterie. 	<ul style="list-style-type: none"> Rebranchez la fiche de la batterie dans le taille-haie.
	<ul style="list-style-type: none"> La batterie est déchargée. 	<ul style="list-style-type: none"> Rechargez la batterie avec le chargeur spécifié.
	<ul style="list-style-type: none"> Vous n'avez pas positionné le bouton de déverrouillage dans la position marche « ON » avant d'appuyer sur les interrupteurs marche/arrêt. 	<ul style="list-style-type: none"> Avant d'utiliser l'outil, vérifiez que le bouton de déverrouillage est dans la position de déverrouillage.
	<ul style="list-style-type: none"> La batterie ou le taille-haie est trop chaud. 	<ul style="list-style-type: none"> Laissez la batterie ou le taille-haie refroidir jusqu'à ce que sa température redevienne normale.
	<ul style="list-style-type: none"> La lame est coincée. 	<ul style="list-style-type: none"> Retirez la batterie de l'outil. Enlevez précautionneusement les obstructions, puis réinsérez la batterie et redémarrez l'outil.
	<ul style="list-style-type: none"> Le taille-haie est en surcharge. 	<ul style="list-style-type: none"> Réduisez la charge sur l'outil.
Bruit/vibrations excessifs.	<ul style="list-style-type: none"> Les lames sont sèches ou corrodées. 	<ul style="list-style-type: none"> Lubrifiez les lames.
	<ul style="list-style-type: none"> Une ou plusieurs lames sont tordues. 	<ul style="list-style-type: none"> Faites remplacer la pièce par une lame neuve ou un support neuf. Contactez un centre de réparation EGO pour faire changer la lame ou le support.
	<ul style="list-style-type: none"> Dents tordues ou endommagées. 	<ul style="list-style-type: none"> Faites remplacer la lame par une lame neuve. Contactez un centre de réparation EGO pour faire changer la lame.
	<ul style="list-style-type: none"> Les boulons de lame sont desserrés. 	<ul style="list-style-type: none"> Serrez les boulons de lame. Avec une clé, tournez les boulons dans le sens horaire pour les serrer.

GARANTIE

POLITIQUE DE GARANTIE EGO

Rendez-vous sur le site Internet egopowerplus.eu pour consulter les termes et conditions complets de la politique de garantie EGO.

LEA TODAS LAS INSTRUCCIONES!



LEA EL MANUAL DEL USUARIO

ADVERTENCIA: Para garantizar la seguridad y fiabilidad de la herramienta, confíe cualquier reparación y sustitución de piezas que sea necesaria a personal técnico cualificado.

SÍMBOLOS RELACIONADOS CON LA SEGURIDAD

El propósito de los símbolos de seguridad es el de atraer su atención hacia los posibles peligros que conlleva la utilización del producto. Los símbolos de seguridad y las explicaciones que los acompañan requieren su máxima atención y comprensión. Por sí solos, los símbolos de advertencia no eliminan los posibles peligros que pudieran existir.

Las instrucciones y advertencias que aquí se incluyen no son sustitutas en modo alguno de las medidas de prevención adecuadas que deben tomarse para evitar posibles accidentes.

ADVERTENCIA: Antes de utilizar esta herramienta, asegúrese de haber leído y entendido perfectamente todas las instrucciones incluidas en este Manual del usuario, incluidos todos los símbolos de aviso sobre seguridad, tales como **“PELIGRO”**, **“ADVERTENCIA”** y **“PRECAUCIÓN”**. De no observarse todas las instrucciones proporcionadas a continuación podría existir un riesgo de incendio, electrocución, así como de lesiones físicas graves.

SIGNIFICADO DE LOS DISTINTOS SÍMBOLOS

SÍMBOLO DE AVISO DE SEGURIDAD: señala algún tipo de **PELIGRO**, **ADVERTENCIA** o **PRECAUCIÓN**. Este símbolo podrá utilizarse de manera conjunta con otros símbolos o pictogramas.



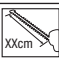
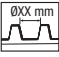

ADVERTENCIA: Es posible que, cuando se utilizan herramientas eléctricas, salgan despedidos objetos que podrían causar lesiones oculares severas si no se utiliza equipo de protección personal adecuado. Antes de empezar a usar herramientas eléctricas, póngase siempre gafas de seguridad, gafas con cristales anti-impacto que cuenten con pantallas de protección lateral, o bien una máscara facial que proteja completamente la cara. Recomendamos la utilización de máscaras de seguridad de amplia visión que pueden utilizarse encima de gafas graduadas, o bien gafas normales de seguridad equipadas con pantallas laterales.

ES

INSTRUCCIONES RELACIONADAS CON LA SEGURIDAD

Esta página muestra y describe los símbolos de seguridad que puede haber en este producto. Asegúrese de leer, entender perfectamente y observar todas las instrucciones estampadas o proporcionadas con el producto antes de proceder a su montaje y utilización.

	Aviso de seguridad	Indica una situación potencialmente peligrosa que, de no evitarse, podría dar lugar a lesiones físicas.
	Lea el Manual del usuario	Para reducir en lo posible el riesgo de lesiones, el usuario debe leer el manual de instrucciones suministrado con el producto.
	Mantenga las manos y los pies alejados del elemento de corte	No intente nunca usar la herramienta eléctrica con una sola mano. Podría perder el control de la herramienta y provocar lesiones graves o mortales. Para reducir el riesgo de lesiones por corte, mantenga las manos y los pies alejados del elemento de corte. No toque nunca con la mano ni con ninguna otra parte del cuerpo un elemento de corte en movimiento.
	Utilizar protección ocular	Utilice siempre utilice gafas de seguridad, gafas con cristales anti-impacto que cuenten con pantallas de protección lateral, o bien una máscara facial que proteja completamente la cara cuando se sirva de este producto.
	Ruido	Nivel de potencia acústica garantizado. La emisión de ruido al medio ambiente cumple la directiva de la Comunidad Europea.
	CE	Este producto cumple las directivas de la CE aplicables.

	UKCA	Este producto cumple la legislación aplicable del Reino Unido.
	RAEE	Los productos eléctricos no deben eliminarse con la basura doméstica. Lívelos a un centro de reciclaje autorizado.
	Longitud de corte de la cuchilla	Longitud de corte de la cuchilla
	Capacidad de corte	Capacidad de corte máx. de la cuchilla
IPX5	Símbolo de tipo de protección IP	Protección contra chorros de agua
V	Voltios	Tensión
	Corriente continua	Tipo o característica de la corriente
.../min	Por minuto	Revoluciones por minuto
mm	Milímetro	Longitud o tamaño
cm	Centímetro	Longitud o tamaño
n_0	Velocidad en vacío	Revoluciones por minuto

MEDIDAS DE SEGURIDAD GENERALES PARA HERRAMIENTAS ELÉCTRICAS

⚠ ADVERTENCIA: Lea todas las advertencias, instrucciones, ilustraciones y especificaciones incluidas con esta herramienta eléctrica. Si no se cumplen todas las instrucciones que se enumeran a continuación, pueden producirse descargas eléctricas, incendios o lesiones graves.

Conserve todas las instrucciones y advertencias para futuras consultas.

El término “herramientas eléctricas” que aparece en las advertencias se refiere tanto a aquellas herramientas que funcionan conectadas a la red eléctrica (mediante cable) como a aquellas otras que funcionan con acumuladores (inalámbricas).

SEGURIDAD EN LA ZONA DE TRABAJO

- **Mantenga la zona de trabajo limpia y bien iluminada.** Aquellas áreas desordenadas o insuficientemente iluminadas son más propensas a accidentes.

- **No utilice herramientas eléctricas en ambientes explosivos, por ejemplo, en presencia de líquidos, gases o polvo inflamables.** Las herramientas eléctricas generan chispas que podrían actuar como detonante de vapores y partículas de polvo inflamables.
- **Mantenga a niños y demás personas a una distancia prudente mientras utiliza herramientas eléctricas.** Cualquier distracción podría hacerle perder el control de la herramienta.

■ PAUTAS DE SEGURIDAD ELÉCTRICA

- **Los enchufes de las herramientas eléctricas deberán coincidir con el tipo de toma de corriente donde vayan a conectarse. Nunca modifique los enchufes en modo alguno. Nunca utilice enchufes adaptadores o ladrones de corriente con herramientas eléctricas equipadas con conexión a tierra.** Unos enchufes sin modificar y que coincidan perfectamente con sus tomas de corriente reducirán enormemente los riesgos de electrocución.
- **Evite cualquier contacto corporal con superficies conectadas a tierra tales como tuberías, radiadores, hornillos eléctricos y frigoríficos.** Existirá un mayor riesgo de electrocución si su cuerpo actúa como conductor a tierra con dichos elementos y dispositivos.
- **No exponga las herramientas eléctricas a la acción de la lluvia ni a entornos húmedos.** La penetración de agua en una herramienta eléctrica aumentará el riesgo de electrocución.
- **No maltrate el cable del acumulador. Nunca utilice el cable para transportar, arrastrar o desenchufar la herramienta eléctrica. Mantenga el cable apartado de fuentes de calor, aceite, cantos afilados o elementos móviles.** Los cables dañados o enredados aumentan el riesgo de descarga eléctrica.
- **Cuando utilice una herramienta eléctrica al aire libre, asegúrese de utilizar alargaderas de corriente especificadas para uso en exteriores.** La utilización de un cable adecuado para uso en exteriores reducirá el riesgo de electrocución.
- **De no poderse evitar la utilización de una herramienta eléctrica en un entorno húmedo, asegúrese de conectarla a una instalación eléctrica equipada con un interruptor de protección diferencial.** La utilización de un interruptor de protección diferencial reducirá el riesgo de electrocución.

SEGURIDAD PERSONAL

- **Manténgase alerta, concéntrese en lo que esté haciendo y utilice siempre su sentido común cuando se sirva de herramientas eléctricas. No utilice herramientas eléctricas si está cansado o se encuentra bajo los efectos de estupefacientes, alcohol o fármacos.** Cualquier momento de descuido durante la utilización de herramientas eléctricas podría dar lugar a lesiones físicas graves.
- **Utilice equipo de protección personal. Utilice siempre protección ocular.** La utilización de equipos de protección tales como mascarillas antipolvo, calzado de seguridad antideslizante, cascos de seguridad o protección auditiva en las circunstancias que así lo requieran reducirá el riesgo de lesiones físicas.
- **Procure evitar la activación fortuita de la herramienta. Asegúrese de que el interruptor de encendido se encuentra en la posición de apagado antes de enchufar la herramienta a la red eléctrica y/o de acoplar el acumulador, así como al recoger o transportar la herramienta.** El hecho de transportar herramientas eléctricas con el dedo apoyado en el gatillo o interruptor de activación, o bien de enchufarlas a una toma de corriente o acoplar su acumulador mientras su interruptor está en la posición de encendido es propicio a causar accidentes.
- **Retire cualquier llave o útil de ajuste antes de poner en marcha la herramienta.** Cualquier llave o útil sujeto a un elemento rotativo de la herramienta eléctrica podría ocasionar lesiones físicas.
- **No se estire demasiado para alcanzar lugares de difícil acceso. Mantenga en todo momento un buen equilibrio y los pies firmemente apoyados en el suelo.** De esta manera, tendrá un mejor control de la herramienta eléctrica en caso de producirse alguna situación inesperada.
- **Utilice ropa adecuada. No lleve puesta ropa holgada ni joyas. Mantenga el pelo, la ropa y los guantes alejados de las piezas móviles.** La ropa holgada, así como las joyas o el pelo largo podrían engancharse en las partes móviles de la herramienta.
- **Si se incluyen dispositivos de conexión a extractores y colectores de polvo, asegúrese de conectarlos y utilizarlos adecuadamente.** El uso de un colector de polvo puede reducir los riesgos asociados con el polvo.
- **El hecho de haberse familiarizado con la herramienta por el uso frecuente no debe hacer que se descuide e ignore los principios de seguridad.** Una distracción puede provocar lesiones graves en una fracción de segundo.

UTILIZACIÓN Y CUIDADO DE LAS HERRAMIENTAS ELÉCTRICAS

- **No fuerce las herramientas eléctricas. Utilice la herramienta eléctrica apropiada para el trabajo que vaya a realizar.** La herramienta correcta funcionará mejor y con más seguridad a la velocidad para la que ha sido diseñada.
- **No utilice ninguna herramienta eléctrica cuyo interruptor de encendido/apagado no funcione como es debido.** Cualquier herramienta que no pueda controlarse mediante su interruptor, supondrá un peligro y deberá repararse antes de poder utilizarse.
- **Desconecte el enchufe de la toma de corriente o retire la batería de la herramienta antes de realizar algún ajuste, cambiar de accesorios o guardarla.** Estas medidas de seguridad reducen el riesgo de que la herramienta se ponga en marcha por accidente.
- **Almacene las herramientas eléctricas apagadas fuera del alcance de niños y no permita en ningún momento que aquellas personas que no estén lo suficientemente familiarizadas con estas instrucciones o este tipo de herramientas las utilicen.** Las herramientas eléctricas son extremadamente peligrosas en manos de aquellas personas que no cuentan con la debida formación o experiencia para su uso.
- **Cuide las herramientas eléctricas y sus accesorios. Compruebe si hay elementos móviles desalineados o trabados, piezas rotas u otra circunstancia que pueda afectar al funcionamiento de la herramienta. Si la herramienta eléctrica está dañada, llévela a reparar antes de usarla.** Muchos accidentes se deben a un mantenimiento deficiente de las herramientas eléctricas.
- **Mantenga las herramientas de corte limpias y afiladas.** El mantenimiento correcto de las herramientas de corte, asegurándose de que sus filos estén bien afilados, las hace menos propensas a atascarse y permite controlarlas con más facilidad.
- **Utilice la herramienta eléctrica, así como sus accesorios, brocas, puntas de destornillador, etc., conforme a lo indicado en estas instrucciones y teniendo siempre en cuenta las condiciones de trabajo, así como la tarea a efectuar.** La utilización de herramientas eléctricas para propósitos distintos a aquellos para los que han sido diseñadas podría suponer un peligro.
- **Mantenga las asas y las superficies de agarre secas, limpias y libres de aceite y grasa.** Si las asas y las superficies de agarre están resbaladizas no se puede manejar la herramienta de forma segura ni mantener el control en las situaciones inesperadas.

UTILIZACIÓN Y CUIDADO DEL ACUMULADOR DE LA HERRAMIENTA

- **Recargue la herramienta utilizando únicamente el cargador especificado por el fabricante.** Un cargador adecuado para cierto tipo de acumulador podrá suponer un riesgo de incendio si se utiliza con un acumulador distinto.
- **Utilice únicamente las herramientas eléctricas con acumuladores específicamente diseñados para estas.** La utilización de acumuladores distintos podría suponer un riesgo de lesiones físicas e incendio.
- **Cuando no se esté utilizando el acumulador, manténgalo apartado de objetos metálicos tales como clips para papeles, monedas, llaves, tornillos, o de cualquier otro objeto metálico pequeño que pudiera provocar un cortocircuito en sus terminales de corriente.** De cortocircuitarse los terminales del acumulador, podrían producirse quemaduras o incendios.
- **En condiciones de uso intensivo, es posible que se produzca una fuga de ácido de los acumuladores. Evite cualquier contacto con dicho electrólito. De producirse cualquier contacto accidental, enjuague la zona corporal afectada con abundante agua. Si el electrólito llegara a penetrar en los ojos, deberá solicitarse atención médica urgente.** El líquido emanado del acumulador podría causar irritación o quemaduras.
- **Siga todas las instrucciones de carga y no cargue la batería ni la herramienta fuera del rango de temperatura especificado en las instrucciones.** Una carga incorrecta o a temperaturas fuera del rango especificado puede dañar la batería y aumentar el riesgo de incendio.
- **No utilice una batería o una herramienta que haya sido modificada o que esté dañada.** Las baterías dañadas o modificadas pueden tener un comportamiento impredecible y provocar un incendio, explosión o riesgo de lesiones.
- **No exponga la batería ni la herramienta al fuego ni a una temperatura excesiva.** La exposición al fuego o a una temperatura superior a 100 °C podría provocar una explosión.

REPARACIONES

- **Asegúrese de que las reparaciones que deban efectuarse en sus herramientas eléctricas las lleve a cabo personal técnico cualificado que, además, utilice únicamente piezas de recambio idénticas a las originales.** Solo de este modo podrá garantizarse la seguridad de uso de las herramientas eléctricas.

- **No repare nunca una batería que esté dañada.** Las baterías solo debe repararlas el fabricante o un centro de servicio técnico autorizado.

ADVERTENCIAS DE SEGURIDAD RELACIONADAS CON EL USO DE CORTASETOS ELÉCTRICOS

- **Mantenga todas las partes del cuerpo apartadas de la cuchilla de corte. No retire el material cortado ni sujete el material a cortar mientras la cuchilla está en movimiento. Asegúrese de que el interruptor está en la posición de apagado antes de retirar material atrapado en la cuchilla.** Cualquier momento de descuido durante la utilización del cortasetos podría dar lugar a lesiones físicas graves.
- **Transporte el cortasetos sujetándolo por la empuñadura y asegurándose de que la cuchilla de corte no está en funcionamiento.** Durante el transporte o almacenamiento del cortasetos, coloque siempre el protector de cuchilla en la herramienta. Una utilización y manipulación correcta del cortasetos reducirá los riesgos de posibles lesiones debido a la cuchilla de corte.
- **Sujete la herramienta eléctrica únicamente por sus superficies de agarre o empuñaduras aisladas, ya que, durante su utilización, el accesorio de corte podría de manera accidental entrar en contacto con cables ocultos que se encuentran bajo tensión.** El contacto de la hoja de corte con un cable bajo tensión podría transmitir a las piezas metálicas expuestas de la herramienta eléctrica la corriente transportada por el cable y hacer que el usuario reciba una descarga eléctrica.
- **Mantenga el cable de la batería apartado de la zona de corte.** Durante la utilización del cortasetos, el cable podría quedar oculto en la vegetación y cortarse accidentalmente con la cuchilla.
- **Examine detenidamente los setos por si albergaran objetos extraños, por ejemplo, vallas de alambre.**
- **Utilice únicamente el cortasetos con su guarda de protección correctamente instalada en su sitio.** La utilización del cortasetos sin su correspondiente guarda de protección correctamente instalada podría dar lugar a lesiones físicas graves.
- **Sujete siempre el cortasetos con ambas manos mientras lo utiliza. Sujetándolo con una sola mano podría perder el control y dar lugar a lesiones físicas graves.**

INSTRUCCIONES DE SEGURIDAD IMPORTANTES

- **No recargue el acumulador bajo la lluvia ni en entornos excesivamente húmedos.**

- Quite el acumulador de la herramienta antes de eliminarla.
- No agarre el cortasetos por la cuchilla expuesta ni por los filos de corte al levantarlo o recogerlo de alguna superficie.
- No utilice la herramienta subido en una escalera, árbol, tejado u otro soporte inestable. Asegurándose de mantener los pies firmemente apoyados sobre una superficie sólida y estable tendrá un mayor control del cortasetos en caso de producirse alguna situación inesperada.
- Nunca permita que los niños utilicen el cortasetos.
- Nunca retire, modifique o anule los dispositivos de seguridad. Compruebe periódicamente su funcionamiento correcto. Nunca lleve a cabo modificaciones que interfieran con el funcionamiento previsto de los dispositivos de seguridad o reduzcan el nivel de protección que ofrecen.
- Compruebe a intervalos periódicos los tornillos de fijación de la cuchilla y del motor para asegurarse de que están correctamente apretados. Asimismo, examine visualmente la cuchilla por si presentara daños (por ejemplo, deformación, grietas o desgaste). Sustituya únicamente la cuchilla por otra original de EGO™.
- Sustituya inmediatamente la cuchilla en caso de estar deformada, doblada o agrietada. Una cuchilla desequilibrada provocará vibraciones en la herramienta que podrían llegar a dañar su motor o causar lesiones físicas.
- Si se observan vibraciones anormales en la herramienta, apague el motor e investigue inmediatamente la causa.
- El cortasetos deberá utilizarse para cortar tallos con un grosor menor que 33 mm.
- No limpie la herramienta utilizando una manguera. Evite que penetre agua en el motor o en las conexiones eléctricas.
- Siga las instrucciones de lubricación y cambio de accesorios indicadas.
- Mantenga las empuñaduras de la herramienta secas, limpias y libres de aceite y grasa.
- Conserve estas instrucciones. Consúltelas con frecuencia y utilícelas para instruir a aquellas otras personas que vayan a usar esta herramienta. En caso de prestar esta herramienta a terceros, proporcioneles también estas instrucciones a fin de evitar su uso incorrecto y posibles riesgos de lesiones.

ESPECIFICACIONES

Tensión	56 V ---	56 V ---	
Velocidad de la cuchilla	1800 /min	1800 /min	
Longitud de corte	65 cm	75 cm	
Capacidad de corte	31 mm	31 mm	
Peso de la herramienta	4,1 kg	4,2 kg	
Temperatura de funcionamiento recomendada	0°C-40°C	0°C-40°C	
Temperatura de almacenamiento recomendada	-20°C-70°C	-20°C-70°C	
Nivel de potencia acústica ponderado L_{WA}	90,1 dB(A) K=2,9 dB(A)	95,4 dB(A) K=1,52 dB(A)	
Nivel de presión acústica medido a la altura del oído del usuario L_{PA}	80,1 dB(A) K=3 dB(A)	83,9 dB(A) K=2,5 dB(A)	
Nivel de potencia acústica garantizado L_{WA} (medido según 2000/14/CE)	93 dB(A)	97 dB(A)	
Nivel de vibraciones (a_{rv})	Empuñadura trasera	3,2 m/s ² K=1,5 m/s ²	2,872 m/s ² K=1,5 m/s ²
	Empuñadura delantera	3,9 m/s ² K=1,5 m/s ²	3,536 m/s ² K=1,5 m/s ²

- El nivel total de vibraciones especificado ha sido medido conforme al método de prueba estándar empleado en la industria y puede utilizarse para efectuar comparaciones entre herramientas.
- Asimismo, el nivel total de vibraciones declarado podrá utilizarse para efectuar una evaluación preliminar de la exposición del usuario a los niveles de vibración generados por la herramienta.
- **AVISO:** Las vibraciones generadas durante el uso real de la herramienta eléctrica podrán diferir del valor declarado en función de la manera en que se utilice. A modo de protección, el usuario deberá utilizar guantes y protectores auditivos en condiciones reales de uso.

CONSERVE ESTAS INSTRUCCIONES EN UN LUGAR SEGURO!

LISTA DE EMBALAJE

DENOMINACIÓN DE PIEZA	CANTIDAD
Cortasetos	1
Protector de cuchilla	1
Manual del usuario	1

ES

DESCRIPCIÓN

FAMILIARÍCESE CON SU CORTASETOS (fig. A)

1. Protector de la punta
2. Cuchilla
3. Protector de la cuchilla
4. Interruptor de palanca frontal
5. Empuñadura delantera
6. Botón de desbloqueo del interruptor
7. Interruptor de palanca trasero
8. Empuñadura trasera
9. Gancho en forma de "U"
10. Conexión
11. Protección de la empuñadura
12. Pantalla

⚠ ADVERTENCIA: Este producto se ha enviado completamente montado. La protección de la empuñadura no debe quitarse nunca durante el uso. Si se ha dañado, lévela inmediatamente a un técnico de servicio cualificado.

⚠ ADVERTENCIA: Para una utilización segura de este producto, se requiere entender perfectamente la información proporcionada en la propia herramienta, así como en este Manual del usuario, además de poseer buenos conocimientos acerca de la tarea a realizar. Antes de utilizar este producto, familiarícese con todas sus características de funcionamiento y pautas de seguridad a observar.

UTILIZACIÓN

⚠ ADVERTENCIA: No permita que la confianza que supone el hecho de estar familiarizado con el producto dé lugar a descuidos. Recuerde que cualquier distracción de una fracción de segundos es suficiente para sufrir o provocar lesiones graves.

⚠ ADVERTENCIA: Utilice siempre gafas de seguridad con pantallas de protección lateral, así como protección auditiva. De lo contrario, los objetos despedidos por la acción

de la herramienta podrían alcanzar sus ojos y provocar lesiones graves oculares o de otro tipo.

⚠ ADVERTENCIA: Para evitar cualquier puesta en marcha accidental que pudiera causar lesiones físicas graves, asegúrese siempre de retirar el acumulador de la herramienta antes de proceder al montaje de cualquier pieza, de hacer ajustes o de limpiar la herramienta, así como cuando no la utilice.

⚠ ADVERTENCIA: No utilice piezas o accesorios que no hayan sido recomendados por EGO™. La utilización de piezas o accesorios no recomendados por el fabricante podría resultar en lesiones físicas graves.

Antes de cada utilización, examine la totalidad del producto a fin de determinar la posible existencia de piezas dañadas, extraviadas o sueltas, tales como tornillos, tuercas, pernos, tapones, etc. Apriete todos los tornillos, fijaciones y tapones según sea necesario y no utilice el producto hasta haber sustituido las piezas dañadas o instalado las que faltan.

El producto puede utilizarse con lluvia.

INSTALAR/QUITAR EL ACUMULADOR

Utilizar solo con los acumuladores y cargadores enumerados en la fig. A.

Recargar antes del primer uso.

Instalación (fig. B & C & D)

Con el símbolo ▲ alineado en el enchufe y en el cortasetos, inserte el enchufe en el cortasetos hasta que la junta verde desaparezca completamente dentro de la conexión.

Introduzca el cable de la batería en el gancho en forma de "U".

Para sacarlo (fig. E)

Saque el cable de la batería del gancho en forma de "U" y tire del enchufe para desconectarlo del cortasetos.

PUESTA EN MARCHA/PARADA DEL CORTASETOS

Antes de usar el cortasetos, quite el protector de la cuchilla y sostenga el cortasetos con las dos manos, una en la empuñadura trasera y otra en la delantera. A continuación, compruebe que tiene los pies en equilibrio, adopte una postura correcta y mantenga una distancia de corte adecuada.

⚠ ADVERTENCIA: Mantenga siempre ambas manos en las empuñaduras del cortasetos durante su utilización. Nunca sujete arbustos con una mano mientras procede a cortarlos sosteniendo el cortasetos con la otra mano. De no observarse esta advertencia, podría sufrir lesiones

físicas graves.

⚠ ADVERTENCIA: Cuando pare el cortasetos, ponga el botón de desbloqueo del interruptor en a posición “OFF” antes de quitar la batería. De no observarse esta advertencia, podría sufrir lesiones graves.

Puesta en marcha

Ponga el botón de desbloqueo del interruptor en la posición “ON” (fig. F) y, a continuación, presione el interruptor de palanca trasero. Manteniendo pulsado el interruptor de palanca trasero, siga presionando el interruptor de palanca delantero para arrancar la máquina.

Fig. F, ver abajo la descripción de las piezas:

F-1	Botón de desbloqueo del interruptor
F-2	Interruptor de palanca trasero

Parada

Suelte cualquiera de los interruptores de palanca para parar la máquina, y ponga el botón de desbloqueo del interruptor en la posición “OFF” para evitar que se ponga en marcha accidentalmente.

AVISO: Para poder poner en marcha el cortasetos, será absolutamente imprescindible accionar ambos interruptores.

CÓMO SUJETAR EL CORTASETOS

Manteniendo la cuchilla apartada de su cuerpo, sujete el cortasetos con las dos manos, agarrando por separado la empuñadura delantera y la trasera. Según las operaciones de corte, hay tres formas distintas de sujetar la herramienta (fig. G, H e I).

UTILIZACIÓN DEL CORTASETOS

⚠ ADVERTENCIA: Si la cuchilla se atasca en un cable eléctrico, **¡NO LA TOQUE! PODRÍA ESTAR BAJO TENSIÓN Y RESULTAR EXTREMADAMENTE PELIGROSA.** Continúe sujetando el cortasetos por la empuñadura trasera aislada o depósito con cuidado a una distancia segura. Corte el suministro eléctrico que alimenta el cable dañado antes de intentar liberar la cuchilla del cable donde se ha trabado. De no observarse esta advertencia, podría sufrir lesiones físicas graves o incluso mortales.

⚠ ADVERTENCIA: Para evitar en lo posible el riesgo de sufrir lesiones físicas graves, mantenga las manos apartadas de la cuchilla. No intente retirar el material cortado ni sujetar el material a cortar mientras la cuchilla está en movimiento. Asegúrese de que la cuchilla se haya detenido por completo y de haber quitado do el acumulador de la herramienta antes de retirar cualquier material trabado en la cuchilla. No agarre la herramienta

por la cuchilla expuesta ni por los filos de corte al levantarla o recogerla de alguna superficie.

⚠ ADVERTENCIA: Antes de cada uso, despeje la zona de trabajo. Quite todos los objetos como cuerdas, luces, cables o alambres que puedan enredarse en la cuchilla y suponer un riesgo de lesiones graves.

⚠ ADVERTENCIA: Evite cortar demasiados tallos a la vez o a través de arbustos densos. De lo contrario, la cuchilla podría atascarse y frenar el motor, reduciendo así la eficacia de corte de la herramienta.

AVISO: Para los brotes nuevos, con una acción de barrido amplio los tallos se dirigen directamente a la cuchilla de corte. Para los tallos más viejos, conviene realizar un movimiento de serrado para podar los tallos más gruesos. Se recomienda usar una sierra no eléctrica o una sierra de podar para cortar primero los tallos grandes.

Recorte de la parte superior de los setos

Realice un movimiento de barrido amplio. Obtendrá los mejores resultados de corte si mantiene ligeramente inclinada hacia abajo la cuchilla en la dirección del movimiento. Para obtener un mejor efecto de corte, también puede usar la cuerda como guía para el nivel del seto, como se muestra en la fig. G.

Recorte de los laterales de los setos

Cuando recorte los laterales de un seto, comience por la parte de abajo y continúe el corte en dirección ascendente, como se muestra en la fig. K.

Protector de punta de cuchilla

El protector de punta de cuchilla (fig. L) se usa para proteger el extremo exterior de la cuchilla.

Protector de cuchilla

La parte exterior de las cuchillas tiene la forma de los protectores de cuchilla (fig. M).

Fig. M, ver abajo la descripción de las piezas:

M-1	Cuchilla
M-2	Protector de cuchilla

⚠ ADVERTENCIA: Compruebe siempre que el protector de cuchilla no esté dañado ni deformado. Sustitúyalo en caso de que esté doblado o deformado.

MANTENIMIENTO

⚠ ADVERTENCIA: Cuando efectúe reparaciones en la herramienta, utilice únicamente piezas idénticas a las originales. La utilización de piezas diferentes o no homologadas podría suponer un peligro o causar daños en el producto. Para garantizar la seguridad y fiabilidad del producto, confíe cualquier reparación que sea necesaria a personal técnico cualificado.

⚠ ADVERTENCIA: Para evitar posibles riesgos de lesiones físicas graves, asegúrese siempre de retirar el acumulador de la herramienta antes de proceder a su limpieza o llevar a cabo cualquier tarea de mantenimiento.

LIMPIEZA

- Utilice un cepillo suave para eliminar restos de recortes de material y acumulaciones de suciedad de todos los orificios de ventilación, así como de la cuchilla de corte.
- Para eliminar restos de savia y otros residuos pegajosos, rocíe la cuchilla con disolvente para resina. Haga funcionar brevemente el motor a fin de repartir bien el disolvente por toda la cuchilla.
- Limpie la superficie con un paño seco.

⚠ ADVERTENCIA: Evite utilizar disolventes para limpiar los elementos plásticos del producto. La mayoría de las piezas de plástico utilizadas son susceptibles de sufrir daños si se limpian con algunos de los tipos de disolventes de uso industrial disponibles en el mercado. Utilice paños limpios para eliminar la suciedad y los residuos de polvo, aceite, grasa, etc.

AFILADO DE LA CUCHILLA

1. Quite el acumulador del cortasetos.
2. AHB6500S/AHB7500S: Sujete la pieza de la cuchilla en un torno y afile la superficie de corte visible de cada diente de la cuchilla. Retire el menor material posible. AHB6500/AHB7500 (Con "☺" y "ENDURECIDO" en la superficie de la cuchilla): Sujete la pieza de la cuchilla en un torno y afile la superficie de corte expuesta con una lima de diamante o un dispositivo afilador de baja velocidad (Velocidad de rotación <2500 min⁻¹, Velocidad de avance <60mm/min, Número de malla >100). Retirando el menor material posible.
3. Quite el cortasetos del tornillo de banco y ajuste la cuchilla no afilada con el otro lado expuesto.

Repita los procedimientos anteriores hasta que todos los dientes de la cuchilla estén afilados.

AVISO: no utilice el cortasetos con una cuchilla escasamente afilada o dañada. De lo contrario, podría sobrecargar la herramienta y obtener unos resultados de corte poco satisfactorios.

AVISO: una lima de metal normal no se puede utilizar para afilar la cuchilla especial AHB6500/AHB7500.

AVISO: cuando utilice una amoladora de baja velocidad (velocidad de giro <2500 min⁻¹) para afilar la cuchilla de corte, moje continuamente con agua los dientes de la cuchilla durante el amolado.

LUBRICACION DEL CORTASETOS

⚠ ADVERTENCIA: No lubricar mientras el cortasetos esta conectado con la batería o funcionando.

Lubricacion de la cuchilla

Para asegurar el mejor funcionamiento y una mayor duracion de la cuchilla, lubrique la cuchilla del cortasetos con aceite lubricante ligero antes y despues de cada uso.

Extraiga la batería y coloque el cortasetos en una superficie plana. Aplique el aceite por el borde de la cuchilla superior (Imagen N).

Lubricacion de la caja de engranajes

Para disfrutar del mejor funcionamiento y prolongar su vida util, lubrique el cortasetos con una grasa especial (5-6g en no 1 y 10-12g en no 2 cada vez) despues de 50 horas de funcionamiento.

La grasa especial debe cumplir los siguientes requisitos.

1. Pertenecer a DIN51818: grado NLGI-2 de penetracion de cono.
2. Elaborada con espesantes de poliurea y aceite lubricante de base sintetica
3. Excelente activacion a baja temperatura, EP, cizallamiento mecanico, resistencia a la abrasion y estabilidad oxidativa.

4. Temperatura de funcionamiento debe ser -40~180°C.

Retire la clavija de la batería y los dos tornillos selladores (Imagen 0). Lubrique la caja de engranajes a través del orificio para aceite.

AVISO: no llene completamente de grasa la caja de engranajes.

TRANSPORTE Y ALMACENAMIENTO

- Coloque siempre el protector en cuchilla antes de guardar el cortasetos o transportarlo. Tenga cuidado para evitar cortarse con los dientes de la cuchilla, ya que están muy afilados.
- Limpie a fondo el cortasetos antes de guardarlo.
- Guarde el cortasetos en interiores, en un lugar seco e inaccesible para los niños.
- Manténgalo apartado de agentes corrosivos tales como productos químicos de jardinería y sal para deshielo.

⚠ ADVERTENCIA: Las cuchillas están muy afiladas. Utilice guantes de protección robustos y antideslizantes cuando manipule la cuchilla. No ponga las manos ni los dedos entre las cuchillas ni en ninguna otra posición donde puedan sufrir cortes o pellizcos. NUNCA toque las cuchillas ni repare la herramienta con su acumulador instalado.

Protección del medio ambiente



¡No elimine aparatos eléctricos, baterías usadas ni cargadores de baterías junto con los desperdicios domésticos! Lleve este producto a un punto de reciclaje autorizado y deposítelo por separado según corresponda. Las herramientas eléctricas se deben llevar a un punto de reciclaje con fin de proteger el medio ambiente.

ES

SOLUCIÓN DE PROBLEMAS

ES

ANOMALÍA	CAUSA	SOLUCIÓN
El cortasetos no funciona.	<ul style="list-style-type: none"> La batería no está conectada al cortasetos o no hay contacto eléctrico entre el cortasetos y la batería. 	<ul style="list-style-type: none"> Vuelva a insertar el enchufe de la batería en el cortasetos.
	<ul style="list-style-type: none"> El acumulador está agotado. 	<ul style="list-style-type: none"> Cargue la batería con el cargador especificado.
	<ul style="list-style-type: none"> El botón de desbloqueo no se ha puesto en la posición "ON" antes de presionar los interruptores de palanca. 	<ul style="list-style-type: none"> Antes de usar el cortasetos, confirme que el botón esté desbloqueado.
	<ul style="list-style-type: none"> La batería o el cortasetos están demasiado calientes. 	<ul style="list-style-type: none"> Espere hasta que la batería o el cortasetos se hayan enfriado a la temperatura normal.
	<ul style="list-style-type: none"> La cuchilla está atascada. 	<ul style="list-style-type: none"> Quite el acumulador de la herramienta. Elimine la obstrucción con cuidado, vuelva a instalar la batería y ponga en marcha la herramienta.
	<ul style="list-style-type: none"> El cortasetos está sobrecargado. 	<ul style="list-style-type: none"> Reduzca la carga de la máquina.
Vibración o ruido excesivo en la herramienta.	<ul style="list-style-type: none"> Cuchillas secas u oxidadas. 	<ul style="list-style-type: none"> Lubrique las cuchillas.
	<ul style="list-style-type: none"> Cuchillas o espada dobladas. 	<ul style="list-style-type: none"> Instale una cuchilla o espada nueva. Póngase en contacto con el servicio técnico de EGO para solicitar la sustitución de la cuchilla o la espada.
	<ul style="list-style-type: none"> Dientes doblados o dañados. 	<ul style="list-style-type: none"> Instale una cuchilla nueva. Póngase en contacto con el servicio técnico de EGO para solicitar la sustitución de la cuchilla.
	<ul style="list-style-type: none"> Tornillos de sujeción de la cuchilla sueltos. 	<ul style="list-style-type: none"> Apriete los tornillos de sujeción de la cuchilla. Utilizando una llave adecuada, gire el tornillo en sentido horario para apretarlo.

GARANTÍA

POLÍTICA DE GARANTÍA DE EGO

Visite la página web egopowerplus.eu para conocer los términos y condiciones completos de la política de garantía de EGO.

LEIA TODAS AS INSTRUÇÕES!



LEIA O MANUAL DE INSTRUÇÕES

AVISO: Para assegurar a segurança e bom funcionamento, todas as reparações e substituições deverão ser efetuadas por um técnico de reparação qualificado.

SÍMBOLOS DE SEGURANÇA

O intuito destes símbolos de segurança é chamar a sua atenção para possíveis perigos. Os símbolos de segurança e as explicações apresentadas com eles requerem a sua atenção e compreensão. Os avisos de segurança, só por eles, não eliminam o perigo.

As instruções e avisos dados não são substitutos para medidas de prevenção adequadas a acidentes.

AVISO: Certifique-se de que lê e compreende todas as instruções de segurança neste manual do utilizador, incluindo todos os símbolos de alerta de segurança, como “PERIGO”, “AVISO”, e “CUIDADO” antes de utilizar esta ferramenta. O não cumprimento de todas as instruções apresentadas abaixo pode resultar em choque elétrico, incêndio e/ou lesões pessoais graves.

SIGNIFICADO DOS SÍMBOLOS

SÍMBOLO DE ALERTA DE SEGURANÇA: Indica **PERIGO**, **AVISO** ou **CUIDADO**. Pode ser usado juntamente com outros símbolos ou imagens.


AVISO: O funcionamento de qualquer ferramenta elétrica pode dar origem ao ressalto de quaisquer objetos estranhos que podem atingir os olhos, podendo dar origem a sérias lesões oculares. Antes de começar a utilizar a ferramenta elétrica, utilize sempre óculos de segurança com proteções laterais e uma proteção completa para o rosto, quando necessário. Recomendamos a utilização de máscaras de segurança com visão panorâmica por cima dos óculos ou óculos de segurança padrão com proteção lateral.

INSTRUÇÕES DE SEGURANÇA

Esta página retrata e descreve os símbolos de segurança que podem aparecer neste produto. Leia, compreenda e siga todas as instruções na máquina antes de tentar montar e utilizar.

	Alerta de segurança	Indica um potencial perigo de lesões pessoais.
	Leia o manual do utilizador	De modo a reduzir os riscos de ferimentos, o utilizador tem de ler o manual do utilizador.
	Mantenha as mãos e pés afastados da ferramenta de corte.	Nunca tente utilizar a sua ferramenta elétrica apenas com uma mão. A perda de controlo da ferramenta elétrica pode dar origem a lesões sérias ou fatais. Para reduzir o risco de cortes, mantenha as mãos e pés afastados da ferramenta de corte. Nunca toque numa ferramenta de corte em movimento com as mãos ou qualquer outra parte do seu corpo.
	Utilize proteção ocular	Utilize sempre óculos de segurança com proteção lateral e, se necessário, uma proteção completa do rosto, quando utilizar este produto.
	Ruído	Nível de potência do som garantido. Emissão de ruído para o ambiente de acordo com a diretiva da Comunidade Europeia.
	CE	Este produto encontra-se em conformidade com as diretivas CE aplicáveis.
	UKCA	Este produto está em conformidade com a legislação aplicável do Reino Unido.
	REEE	Os produtos elétricos residuais não deverão ser eliminados juntamente com o lixo doméstico comum. Entregue-os num centro de reciclagem autorizado.
	Comprimento da lâmina	O comprimento da lâmina
	Capacidade de corte	Máx. Capacidade de corte da lâmina
	Símbolo IP	Proteção contra jatos de água

PT

V	Volts	Tensão
	Corrente direta	Tipo ou característica da corrente
.../min	Por minuto	Rotações por minuto
mm	Milímetro	Comprimento ou tamanho
cm	Centímetro	Comprimento ou tamanho
n_0	Velocidade sem carga	Velocidade de rotação, sem carga

AVISOS DE SEGURANÇA GERAIS DA FERRAMENTA ELÉTRICA

⚠ AVISO: Leia todos os avisos de segurança, instruções, ilustrações e especificações fornecidas com esta ferramenta elétrica. Não seguir todas as instruções apresentadas abaixo pode resultar em choque elétrico, incêndio e/ou lesões graves.

Guarde todos os avisos e instruções para futura referência.

O termo "ferramenta elétrica" nos avisos refere-se às suas ferramentas elétricas ligadas à corrente elétrica (com fios) ou ferramentas elétricas que funcionam com bateria (sem fios).

SEGURANÇA NA ÁREA DE TRABALHO

- **Mantenha a área de trabalho limpa e bem iluminada.** As áreas desarrumadas ou escuras convidam a acidentes.
- **Não ligue ferramentas elétricas em atmosferas explosivas, tal como na presença de líquidos inflamáveis, gases ou pó.** As ferramentas elétricas produzem faíscas que podem inflamar o pó ou fumos.
- **Mantenha as crianças e pessoas que passem afastadas enquanto trabalhar com uma ferramenta elétrica.** As distrações podem fazer com que perca o controlo.

SEGURANÇA ELÉTRICA

- **As fichas da ferramenta elétrica têm de corresponder à tomada. Nunca modifique a ficha de algum modo. Não utilize qualquer adaptador com ferramentas elétricas com ligação à terra.** Fichas não modificadas e tomadas correspondentes reduzirão o risco de choque elétrico.
- **Evite o contacto do corpo com superfícies ligadas à terra, tais como tubos, radiadores, bases e frigoríficos.** Existe um risco acrescido de choque

eléctrico se o seu corpo estiver ligado à terra.

- **Não exponha a ferramenta elétrica à chuva ou a condições húmidas.** A entrada de água numa ferramenta elétrica aumentará o risco de choque elétrico.
- **Não abuse do fio da bateria. Nunca utilize o fio para transportar, puxar ou desligar a ferramenta elétrica. Mantenha o fio afastado do calor, óleo, arestas afiadas ou peças móveis.** Fios danificados ou presos aumentam o risco de choque elétrico.
- **Quando estiver a trabalhar com uma ferramenta eléctrica ao ar livre, utilize uma extensão adequada para a utilização no exterior.** A utilização de um fio adequado ao exterior reduz o risco de choque eléctrico.
- **Se for inevitável trabalhar com uma ferramenta eléctrica num local húmido, use um dispositivo de corrente residual.** A utilização de um DCR reduz o risco de choque eléctrico.

SEGURANÇA PESSOAL

- **Mantenha-se alerta, observe o que está a fazer e utilize o senso comum quando estiver a trabalhar com uma ferramenta elétrica. Não utilize uma ferramenta elétrica quando estiver cansado ou sob o efeito de drogas, álcool ou medicação.** Um momento de falta de atenção enquanto trabalha com ferramentas elétricas pode resultar em lesões pessoais graves.
- **Use equipamento pessoal de protecção. Utilize sempre protecção ocular.** O equipamento de segurança, tal como máscara de pó, calçado de segurança antiderrapante, capacete de segurança, ou protecção para os ouvidos, utilizado nas condições adequadas reduzirá a hipótese de lesões.
- **Evite os arranques sem intenção. Certifique-se de que o interruptor se encontra na posição desligada antes de ligar à alimentação e/ou bateria e antes de pegar ou transportar a ferramenta.** Transportar ferramentas elétricas com o dedo no interruptor ou alimentar ferramentas elétricas com o interruptor na posição de ligado convida a acidentes.
- **Retire qualquer chave de ajuste ou chave de fendas antes de ligar a energia.** Uma chave de fendas ou uma chave deixada ligada a uma peça rotativa da ferramenta elétrica pode resultar em lesão.
- **Não se estique. Mantenha sempre o apoio para os pés e o equilíbrio.** Isto permite um melhor controlo da ferramenta elétrica em situações inesperadas.
- **Vista-se adequadamente. Não utilize roupa larga ou jóias. Mantenha o seu cabelo e roupa afastados**

das peças móveis. Roupas largas, jóias ou cabelo comprido podem ser apanhados pelas peças em movimento.

- **Se forem fornecidos dispositivos para a ligação de extração de pó e facilidades de recolha, certifique-se de que estes estão ligados e de que são devidamente utilizados.** A utilização de dispositivos de extração do pó pode reduzir os perigos relacionados com o pó.
- **Não permita que a familiaridade ganha com a utilização de ferramentas o torne mais complacente e ignore os princípios de segurança da ferramenta.** Uma ação descuidada pode causar lesões severas numa fração de segundo.

UTILIZAÇÃO E CUIDADOS COM A FERRAMENTA ELÉTRICA

- **Não force a ferramenta elétrica. Utilize a ferramenta elétrica correta para a sua aplicação.** A ferramenta elétrica correta fará o trabalho melhor e de forma mais segura ao ritmo para o qual foi concebida.
- **Não utilize a ferramenta elétrica se o interruptor não a ligar e desligar.** Qualquer ferramenta elétrica que não possa ser controlada com o interruptor é perigosa e deve ser reparada.
- **Desligue a ficha da alimentação e/ou retire a bateria da ferramenta elétrica, se amovível, da ferramenta elétrica antes de fazer quaisquer ajustes, mudar de acessórios ou armazenar a ferramenta elétrica.** Tais medidas preventivas de segurança reduzem o risco de ligar a ferramenta elétrica acidentalmente.
- **Guarde as ferramentas elétricas não utilizadas fora do alcance das crianças e não permita que pessoas não familiarizadas com a ferramenta elétrica ou com estas instruções utilizem a ferramenta elétrica.** As ferramentas elétricas são perigosas nas mãos de utilizadores sem formação.
- **Proceda à manutenção das ferramentas elétricas e acessórios. Verifique desalinhamentos ou bloqueios das peças móveis, quebra de peças e quaisquer outras condições que possam afetar o funcionamento da ferramenta elétrica. Caso a ferramenta apresente danos, esta deverá ser entregue para reparação antes de voltar a ser utilizada.** Muitos acidentes são provocados pela fraca manutenção das ferramentas elétricas.
- **Mantenha as ferramentas de corte afiadas e limpas.** Ferramentas de corte devidamente mantidas e com arestas cortantes afiadas têm uma menor probabilidade de prender e são mais fáceis de controlar.
- **Use a ferramenta eléctrica, acessórios e brocas, etc., de acordo com estas instruções, tendo em conta as condições de trabalho e o trabalho a ser efectuado.** A utilização da ferramenta eléctrica para operações diferentes daquelas para que foi criada pode dar origem a uma situação perigosa.
- **Mantenha as pegas e superfícies de segurar secas, limpas e sem óleo ou gordura.** Pegas e superfícies de segurar escorregadias não permitem o manuseamento seguro nem o controlo da ferramenta em situações inesperadas.

UTILIZAÇÃO E CUIDADOS COM A FERRAMENTA A BATERIA

- **Recarregue apenas com o carregador especificado pelo fabricante.** Um carregador que seja adequado para um tipo de bateria pode criar um risco de incêndio quando usado com outra bateria.
- **Use ferramentas eléctricas apenas com as baterias especificamente designadas.** A utilização de outras baterias pode criar um risco de lesão e incêndio.
- **Quando não usar a bateria, mantenha-a afastada de outros objectos de metais, como cliques de papel, moedas, chaves, pregos, parafusos ou outros pequenos objectos de metal que possam fazer a ligação entre os dois terminais.** Colocar os terminais da bateria em curto-circuito pode dar origem a queimaduras ou fogo.
- **Sob condições abusivas, pode ser ejectado líquido da bateria; evite o contacto. Se ocorrer contacto acidentalmente, lave com água corrente. Se o líquido entrar em contacto com os olhos, procure ajuda médica.** O líquido ejectado da bateria pode provocar irritação ou queimaduras.
- **Siga todas as instruções de carregamento e não carregue a bateria nem a ferramenta a uma temperatura fora dos parâmetros especificados nas instruções.** Carregar incorretamente ou a temperaturas fora dos parâmetros especificados pode danificar a bateria e aumentar o risco de fogo.
- **Não use a bateria nem a ferramenta se estiverem danificadas ou modificadas.** Baterias danificadas ou modificadas podem apresentar comportamentos imprevisíveis, dando origem a fogo, explosão ou risco de lesões.
- **Não exponha a bateria ou a ferramenta ao fogo ou temperatura excessiva.** A exposição ao fogo ou a temperaturas acima dos 100°C pode causar uma explosão.

REPARAÇÃO

- **A manutenção da sua ferramenta elétrica deverá**

ser sempre efetuada por pessoas qualificadas, utilizando apenas peças sobressalentes idênticas.

Tal irá assegurar que a segurança da ferramenta elétrica é mantida.

- **Nunca tente reparar uma bateria danificada.** A reparação das baterias só deverá ser efetuada pelo fabricante ou por um reparador autorizado.

PT

AVISOS DE SEGURANÇA DO CORTA-SEBES

- **Mantenha todas as partes do corpo afastadas da lâmina de corte. Não retire o material cortado nem segure o material a ser cortado quando as lâminas se encontrarem em movimento. Certifique-se de que o interruptor está na posição de desligado quando retirar material bloqueado.** Um momento de falta de atenção enquanto trabalha com o corta-sebes pode resultar em lesões sérias.
 - **Transporte o corta-sebes pela pega, com a lâmina de corte desligada.** Quando transportar ou guardar o corta-sebes, coloque sempre a cobertura do dispositivo de corte. Um manuseamento adequado do corta-sebes reduz a possibilidade de lesões devido às lâminas.
 - **Segure a ferramenta elétrica apenas através das pegas isoladoras, pois a lâmina de corte pode entrar em contacto com fios escondidos.** O contacto das lâminas de corte com um cabo “vivo” pode fazer com que as peças de metal expostas da ferramenta elétrica deem um choque elétrico ao operador.
 - **Mantenha o fio da bateria afastado a área de corte.** Durante o funcionamento, o fio pode ficar oculto nos arbustos e pode ser acidentalmente cortado pela lâmina.
 - Verifique a sebe quanto a objetos estranhos antes da utilização do aparelho, como vedações de arame.
 - Use o corta-sebes apenas com a protecção devidamente montada. A utilização do corta-sebes sem a devida protecção pode dar origem a lesões pessoais sérias!
 - **Use ambas as mãos quando utilizar o corta-sebes. Usar apenas uma mão pode causar uma perda de controlo e dar origem a lesões pessoais sérias.**
- Não utilize numa escada, telhado, árvore ou outro suporte instável. Uma base estável numa superfície sólida proporciona um melhor controlo do corta-sebes em situações inesperadas.
 - Nunca permita que crianças utilizem o corta-sebes.
 - Nunca retire nem altere os dispositivos de segurança. Verifique regularmente o seu funcionamento correto. Nunca faça nada que interfira com a função prevista de um equipamento de segurança ou para reduzir a proteção fornecida por um equipamento de segurança.
 - Verifique os parafusos da lâmina e da estrutura do motor a intervalos frequentes quanto ao devido aperto. Inspeccione também visualmente a lâmina quanto a danos (ex: dobras, rachas e desgaste). Substitua a lâmina apenas por uma lâmina da EGO™.
 - Substitua a lâmina se estiver dobrada ou danificada. Uma lâmina desequilibrada causa vibrações que podem danificar a unidade do motor ou causar lesões pessoais.
 - Se o equipamento começar a vibrar anormalmente, desligue o motor e verifique imediatamente as causas.
 - O corta-sebes deverá ser usado para cortar hastes com uma espessura inferior a 33 mm.
 - Não lave com uma mangueira. Evite que entre água no motor e nas ligações elétricas.
 - Siga as instruções quanto a lubrificação e mudança de acessórios.
 - Mantenha as pegas secas, limpas e sem óleo ou gordura.
 - Guarde estas instruções. Consulte com frequência e utilize estas instruções para instruir outras pessoas sobre a forma de utilizar este equipamento. Se emprestar este aparelho, entregue também as instruções, para evitar uma má utilização do produto e possíveis lesões.

GUARDE ESTAS INSTRUÇÕES!

INSTRUÇÕES DE SEGURANÇA IMPORTANTES

- Não carregue a bateria à chuva ou em condições húmidas.
- A bateria tem de ser retirada do aparelho antes de ser eliminada.
- Não segure as lâminas de corte expostas ou extremidades de corte quando segurar o corta-sebes.

ESPECIFICAÇÕES

Tensão	56 V ---	56 V ---
Velocidade da lâmina	1800 /min	1800 /min
Comprimento de corte	65 cm	75 cm
Capacidade de corte	31 mm	31 mm
Peso da ferramenta	4,1 kg	4,2 kg
Temperatura de funcionamento recomendada	0°C-40°C	0°C-40°C
Temperatura de armazenamento recomendada	-20°C-70°C	-20°C-70°C
Nível de potência do som medido L_{WA}	90,1 dB(A) K=2,9 dB(A)	95,4 dB(A) K=1,52 dB(A)
Nível da pressão do som na posição do operador L_{PA}	80,1 dB(A) K=3 dB(A)	83,9 dB(A) K=2,5 dB(A)
Nível de potência do som garantido L_{WA} (de acordo com a 2000/14/CE)	93 dB(A)	97 dB(A)
Vibração a_h	Pega traseira $K=1,5 m/s^2$	3,2 m/s^2 2,872 m/s^2 $K=1,5 m/s^2$
	Pega dianteira $K=1,5 m/s^2$	3,9 m/s^2 3,536 m/s^2 $K=1,5 m/s^2$

- O valor total declarado da vibração foi medido de acordo com um método de teste padrão e pode ser usado para comparar duas ferramentas;
- O valor total declarado da vibração também pode ser usado numa avaliação preliminar da exposição.

AVISO: A emissão de vibrações durante a utilização da ferramenta elétrica pode diferir do valor declarado em que a ferramenta é usada. De modo a proteger o utilizador, este deverá utilizar luvas e protecção auditiva nas condições atuais de utilização.

LISTA DE PEÇAS

NOME DA PEÇA	QUANTIDADE
Corta-sebes	1
Protecção	1
Manual do utilizador	1

DESCRIÇÃO

CONHEÇA O SEU CORTA-SEBES (Fig. A)

1. Protetor da ponta
2. Lâmina
3. Protecção da lâmina
4. Alavanca do interruptor dianteira
5. Pega dianteira
6. Botão de desbloqueio
7. Alavanca do interruptor traseira
8. Pega traseira
9. Gancho em "U"
10. Entrada
11. Protecção da mão
12. Protecção

⚠ AVISO: Este produto foi enviado completamente montado. O protetor de mãos nunca deve ser removido durante a utilização. Depois de danificado, substitua-o imediatamente por um técnico de reparação qualificado.

⚠ AVISO: A utilização segura deste produto requer uma compreensão da informação na ferramenta e neste manual do utilizador, bem como o conhecimento do trabalho que vai efetuar. Antes de utilizar este produto, familiarize-se com as características de funcionamento e regras de segurança.

FUNCIONAMENTO

⚠ AVISO: Não permita que a familiarização com este produto o torne descuidado. Lembre-se de que uma fracção de segundo de desatenção é o suficiente para sofrer uma lesão séria.

⚠ AVISO: Use sempre protecção ocular com protecções laterais, juntamente com a protecção auditiva. Se não o fizer, pode apanhar com objectos nos olhos, dando origem a possíveis lesões sérias.

⚠ AVISO: Para evitar a ligação accidental que pode provocar ferimentos pessoais graves, retire sempre a bateria da ferramenta quando montar as peças, fizer ajustes, proceder à limpeza ou quando não em uso.

⚠ AVISO: Não utilize quaisquer acessórios para além dos recomendados pela EGO™. A utilização de acessórios que não sejam recomendados pode dar origem a lesões pessoais sérias.

Antes de cada utilização, verifique se há peças soltas, danificadas ou em falta, tais como parafusos, porcas, tampões, etc. Aperte bem todos os fixadores e tampões e não utilize este produto, sem substituir primeiro todas as peças danificadas ou em falta.

O produto pode ser usado à chuva.

PT

INSTALAR/RETIRAR A BATERIA

Utilize apenas com as baterias e carregadores listados na imagem A.

Carregue antes da primeira utilização.

Para instalar (Imagem. B & C & D)

Com o logótipo ▲ alinhado respetivamente na ficha e no corta-sebes, insira a ficha no corta-sebes até que o vedante verde desapareça por completo na entrada.

Monte o fio da bateria no gancho em “U”.

Para retirar (Imagem E)

Liberte o fio da bateria do gancho em “U” e puxe a ficha para fora do corta-sebes.

LIGAR/DESLIGAR O CORTA-SEBES

Antes de colocar em funcionamento, retire a proteção e segure o corta-sebes com ambas as mãos, com uma mão na pega traseira e a outra na pega dianteira. Depois, verifique se existe equilíbrio, postura correta e uma distância de corte adequada.

▲ AVISO: Mantenha sempre ambas as mãos nas pegas do corta-sebes. Nunca segure arbustos com uma mão e o corta-sebes com a outra. Não seguir este aviso pode dar origem a lesões pessoais sérias.

▲ AVISO: Quando parar o corta-sebes, coloque o botão de desbloqueio na posição “OFF” (desligado) antes de retirar a bateria. Não seguir este aviso pode dar origem a lesões sérias.

Para ligar

Prima o botão de desbloqueio para a posição “ON” (ligado) (Imagem F) e depois prima o interruptor traseiro. Com o interruptor traseiro premido, continue a premir o interruptor dianteiro para ligar.

Consulte a Imagem F em baixo para a descrição das peças:

F-1	Botão de desbloqueio
F-2	Alavanca do interruptor traseira

Para parar

Liberte qualquer um dos interruptores para desligar, e coloque o botão de desbloqueio na posição “OFF”

(desligado) para evitar um arranque accidental.

AVISO: Ambas as alavancas de interruptor têm de ser premidas para que o corta-sebes comece a funcionar.

SEGURAR O CORTA-SEBES

Com a lâmina voltada para si, segure o corta-sebes com as duas mãos, agarrando separadamente a pega dianteira e traseira. Três direções para segurar podem adequar-se a diferentes operações de corte (Imagem G, H e I).

UTILIZAR O CORTA-SEBES

▲ AVISO: Se a lâmina ficar presa em qualquer fio elétrico, **NÃO TOQUE NA LÂMINA! ESTA PODE FICAR COM CORRENTE E TORNAR-SE MUITO PERIGOSA.** Continue a segurar o corta-sebes pela pega traseira isolada ou coloque-a no chão e afastada de si de um modo seguro. Desligue o dispositivo elétrico da linha ou fio danificado antes de tentar libertar a lâmina da linha ou do fio. Não seguir este aviso pode dar origem a lesões pessoais sérias ou possível morte.

▲ AVISO: Para evitar lesões pessoais sérias, mantenha as mãos afastadas das lâminas. Não tente retirar o material de corte nem segure o material a ser cortado quando as lâminas se encontrarem em movimento. Certifique-se de que as lâminas pararam por completo e de que retira a bateria antes de limpar material preso nas lâminas. Não segure as lâminas de corte expostas ou extremidades de corte quando pegar ou segurar a unidade.

▲ AVISO: Limpe a área a cortar antes de cada utilização. Retire todos os objetos, como fios, luzes, arames ou linhas soltas, que possam ficar presos na lâmina de corte e criar um risco de lesões pessoais sérias.

▲ AVISO: Evite cortar demasiado de uma só vez ou através de muitos arbustos. Isso pode fazer com que as lâminas prendam e abrandem, reduzindo a eficiência de corte.

AVISO: Para um novo crescimento, um desbaste amplo é adequado para as hastes que alimentam diretamente a lâmina de corte. Para um crescimento mais antigo, um movimento de serra é bom para cortar as hastes mais grossas. Uma serra manual ou serra de poda é sugerida para cortar primeiro as hastes mais largas.

Corte superior

Utilize um movimento de desbaste amplo. Uma ligeira inclinação para baixo das lâminas de corte, na direção do movimento, oferece um melhor resultado de corte. Para um melhor efeito de corte, também pode utilizar o aparador para guiar o nível da sebe, como apresentado

na Fig. G.

Corte lateral

Quando cortar as partes laterais da sebe, comece do fundo e vá cortando para cima, como apresentado na Fig. K.

Protetor da ponta

O protetor da ponta (Fig. L) é utilizado para proteger a extremidade exterior da lâmina.

Proteção da lâmina

A parte exterior das lâminas tem a forma de protetores de lâmina (Fig. M).

Imagem M: descrição das peças apresentada abaixo:

M-1	Lâmina
M-2	Proteção da lâmina

AVISO: Verifique sempre se o protetor da lâmina não está danificado ou torto. Substitua-o se estiver dobrado ou danificado.

MANUTENÇÃO

AVISO: Quando fizer reparações, utilize apenas peças sobressalentes idênticas. A utilização de outras peças pode criar um perigo ou provocar danos no produto. Para assegurar a segurança e bom funcionamento, todas as reparações deverão ser efetuadas por um técnico de reparação qualificado.

AVISO: Para evitar lesões pessoais sérias, retire sempre a bateria do produto quando limpar ou efetuar qualquer manutenção.

LIMPEZA

- Use uma escova suave para retirar o lixo das entradas de ar e da lâmina de corte
- Para retirar a resina e outros resíduos colantes, pulverize as lâminas com solvente para resina. Deixe o motor funcionar durante uns instantes para que o solvente seja distribuído uniformemente.
- Limpe a superfície com um pano seco.

AVISO: Evite utilizar solventes quando limpa peças plásticas. Os plásticos são mais suscetíveis a danos de vários tipos de solventes comerciais. Utilize panos de limpeza limpos para retirar sujidades, pó, óleo, gordura, etc.

AFIAR A LÂMINA DE CORTE

1. Retire a bateria do corta-sebes.
2. AHB6500S/AHB7500S: Fixe o conjunto da lâmina num torno e lime a superfície de corte exposta de cada dente da lâmina. Retire o mínimo de material possível. AHB6500/AHB7500 (com "ENDURECIDO" na superfície da lâmina): Fixe o conjunto da lâmina num torno e afie a superfície de corte exposta com uma lima de diamante ou uma rebarbadora de baixa velocidade (velocidade de rotação inferior a 2500 min⁻¹, velocidade de alimentação inferior a 60 mm/min, número de rede inferior a 100). Retire o mínimo de material possível.
3. Retire o corta-sebes do torno e ajuste a lâmina a afiar exposta do outro lado.

Repita os procedimentos apresentados acima até que todos os dentes da lâmina estejam afiados.

AVISO: Não utilize o corta-sebes com lâminas de corte que não estejam afiadas ou que estejam danificadas. Isso pode causar uma sobrecarga e dar resultado a um corte insatisfatório.

AVISO: Não pode usar uma lima de metal normal para afiar a lâmina especial AHB6500/AHB7500.

AVISO: Quando usar uma rebarbadora de baixa velocidade (velocidade de rotação inferior a 2500 min⁻¹) para afiar a lâmina de corte, passe constantemente os dentes da lâmina por água enquanto afia.

LUBRIFICAR O CORTA-SEBES

AVISO: Não lubrifique enquanto o corta-sebes ainda estiver ligado à bateria ou a funcionar.

Lubrificar a lâmina

Para uma utilização facilitada e um maior tempo de vida da lâmina, lubrifique a lâmina do corta-sebes com óleo leve para máquinas antes e após cada utilização.

Retire a bateria e coloque o corta-sebes numa superfície plana. Aplique óleo ao longo da extremidade da lâmina superior (Imagem N).

Lubrificar a caixa dos carretos

Para um melhor funcionamento e um tempo de vida mais prolongado, lubrifique a caixa dos carretos do corta-sebes com lubrificante especial (5-6g em #1 e 10-12g em #2 de cada vez) a cada 50 horas de funcionamento.

O lubrificante especial deverá ir de encontro aos seguintes requisitos.

1. Pertencer ao grau de penetração cônica DIN51818:NLGI-2.
2. Composto de espessantes de poliureia + óleo lubrificante sintético.
3. Excelente arranque a baixas temperaturas, EP, resistente à abrasão e desgaste mecânico e propriedades estabilizadoras oxidativas.
4. A temperatura de funcionamento tem de se encontrar entre os -40 °C e os 180 °C.

Retire a ficha da bateria e os dois parafusos vedantes (Imagem O). Lubrifique a caixa dos carretos através do orifício do óleo.

AVISO: Não encha por completo a caixa dos carretos com lubrificante.

TRANSPORTE E ARMAZENAMENTO

- Coloque sempre o protetor da lâmina antes de guardar ou transportar o corta-sebes. Tenha cuidado para evitar os dentes afiados da lâmina.
- Limpe bem o corta-sebes antes de o guardar.
- Guarde o corta-sebes no interior, num local seco e inacessível a crianças.
- Mantenha-o afastado de agentes corrosivos, como químicos de jardinagem e sais de degelo.

⚠ AVISO: As lâminas são afiadas. Quando manusear o conjunto da lâmina, utilize luvas de proteção antiderrapantes e resistentes. Não coloque a mão ou os dedos entre as lâminas ou em qualquer posição em que possam ficar presos ou ser cortados. NUNCA toque nas lâminas nem repare a unidade com a bateria colocada.

Proteção do ambiente



Não elimine equipamento elétrico, bateria gasta nem carregador juntamente com o lixo doméstico comum! Leve este produto a um centro de reciclagem autorizado para que possa haver uma separação das peças. As ferramentas elétricas têm de ser devolvidas em instalações de reciclagem ambientalmente compatíveis.

RESOLUÇÃO DE PROBLEMAS

PROBLEMA	CAUSA	SOLUÇÃO
O corta-sebes não funciona.	<ul style="list-style-type: none"> A bateria não está fixada no corta-sebes, ou não existe qualquer contacto elétrico entre o corta-sebes e a bateria. 	<ul style="list-style-type: none"> Volte a inserir a ficha da bateria no corta-sebes.
	<ul style="list-style-type: none"> A bateria está gasta 	<ul style="list-style-type: none"> Carregue a bateria com o carregador especificado.
	<ul style="list-style-type: none"> O botão de desbloqueio não foi premido para a posição “ON” antes de premir os interruptores. 	<ul style="list-style-type: none"> Antes de usar o corta-sebes, certifique-se de que o botão de desbloqueio está desbloqueado.
	<ul style="list-style-type: none"> A bateria ou o corta-sebes estão muito quentes. 	<ul style="list-style-type: none"> Deixe a bateria ou o corta-sebes arrefecer até atingir uma temperatura normal.
	<ul style="list-style-type: none"> A lâmina está presa. 	<ul style="list-style-type: none"> Retire a bateria da ferramenta. Retire cuidadosamente a obstrução e volte a inserir a bateria e a reiniciar a ferramenta.
	<ul style="list-style-type: none"> O corta-sebes está sobrecarregado. 	<ul style="list-style-type: none"> Reduza a carga da máquina.
Vibração excessiva ou ruído.	<ul style="list-style-type: none"> Lâminas secas ou corroídas. 	<ul style="list-style-type: none"> Lubrifique as lâminas.
	<ul style="list-style-type: none"> As lâminas ou suporte das lâminas está dobrado. 	<ul style="list-style-type: none"> Substitua por uma lâmina ou suporte novo. Contacte o serviço de apoio ao cliente da EGO para efetuar a substituição da lâmina ou obter ajuda.
	<ul style="list-style-type: none"> Dentes dobrados ou danificados. 	<ul style="list-style-type: none"> Coloque uma lâmina nova. Contacte o serviço de apoio ao cliente da EGO para efetuar a substituição da lâmina.
	<ul style="list-style-type: none"> Parafusos da lâmina soltos. 	<ul style="list-style-type: none"> Aperte os parafusos da lâmina. Com uma chave, rode o parafuso no sentido dos ponteiros do relógio para apertar.

GARANTIA

POLÍTICA DE GARANTIA EGO

Visite o website egopowerplus.eu para os termos e condições completos da política de garantia da EGO.

LEGGERE TUTTE LE ISTRUZIONI!



LEGGERE IL MANUALE DI ISTRUZIONI

AVVERTENZA! Per garantire sicurezza e affidabilità, tutte le riparazioni e sostituzioni devono essere eseguite da un tecnico qualificato.

IT

SIMBOLI DI SICUREZZA

Lo scopo dei simboli di sicurezza è attirare l'attenzione dell'operatore su possibili pericoli. I simboli di sicurezza e le relative spiegazioni richiedono la massima attenzione e comprensione da parte dell'operatore. Le avvertenze espresse dai simboli, da sole, non eliminano tutti i rischi.

Le istruzioni e le avvertenze non sostituiscono le adeguate misure di prevenzione contro gli incidenti.

AVVERTENZA! Accertarsi di aver letto e compreso tutte le istruzioni di sicurezza in questo manuale, inclusi tutti i simboli di avvertenza come "PERICOLO", "AVVERTENZA" e "ATTENZIONE", prima di usare questo apparecchio. Il mancato rispetto di tutte le istruzioni riportate di seguito comporta il rischio di scossa elettrica, incendio e/o lesioni gravi.

SIGNIFICATO DEI SIMBOLI

AVVERTENZA DI SICUREZZA: indica PERICOLO, AVVERTENZA o ATTENZIONE. Può essere usato in combinazione con altri simboli.

AVVERTENZA! L'uso di apparecchi elettrici può causare il lancio di oggetti estranei verso l'operatore, con il rischio di gravi lesioni agli occhi. Durante l'uso dell'apparecchio, indossare sempre occhiali protettivi o occhiali di sicurezza con protezioni laterali e, se necessario, una maschera facciale. Si consiglia di indossare una maschera di sicurezza con ampio campo visivo sopra gli occhiali o gli occhiali di sicurezza standard con protezioni laterali.

ISTRUZIONI DI SICUREZZA

Questa pagina illustra e descrive i simboli di sicurezza che possono comparire sul prodotto. Leggere, comprendere e seguire tutte le istruzioni sull'apparecchio prima di tentare di assemblarlo e ripararlo.

	Avvertenza di sicurezza	Indica un potenziale rischio di infortunio.
	Leggere il manuale di istruzioni	Per ridurre il rischio di infortunio, l'utente deve leggere il manuale di istruzioni.
	Tenere mani e piedi lontani dall'accessorio di taglio.	Non tentare di usare l'utensile elettrico con una sola mano. La perdita di controllo dell'utensile elettrico comporta il rischio di lesioni gravi o fatali. Per ridurre il rischio di lesioni da taglio, tenere mani e piedi lontani dall'accessorio di taglio. Non toccare un accessorio di taglio in movimento con le mani o altre parti del corpo.
	Indossare protezioni per gli occhi	Durante l'uso del prodotto, indossare sempre occhiali protettivi o occhiali di sicurezza con protezioni laterali e una maschera facciale.
	Rumore	Livello di potenza sonora garantito. Emissione di rumore nell'ambiente conforme alla direttiva dell'Unione europea.
	CE	Questo prodotto è conforme alle direttive europee applicabili.
	UKCA	Questo prodotto è conforme alla legislazione britannica pertinente.
	RAEE	I prodotti elettrici non devono essere smaltiti insieme ai rifiuti domestici. Portarli presso un centro di riciclaggio autorizzato.
	Lunghezza della lama	Lunghezza della lama
	Capacità di taglio	Profondità di taglio max. della lama
	Simbolo IP	Protezione contro i getti d'acqua

V	Volt	Voltaggio
	Corrente continua	Tipo o caratteristica della corrente
.../min	Al minuto	Rotazioni al minuto
mm	Millimetro	Lunghezza o dimensioni
cm	Centimetro	Lunghezza o dimensioni
n_0	Velocità a vuoto	Velocità di rotazione, senza carico

AVVERTENZE DI SICUREZZA COMUNI A TUTTI GLI UTENSILI ELETTRICI

⚠ AVVERTENZA! Leggere tutte le avvertenze di sicurezza, istruzioni, illustrazioni e specifiche fornite insieme a questo utensile elettrico. Il mancato rispetto delle istruzioni sotto riportate comporta il rischio di scossa elettrica, incendio e/o gravi infortuni.

Conservare tutte le avvertenze e le istruzioni per riferimento futuro.

Il termine "utensile elettrico" nelle avvertenze si riferisce a un utensile elettrico alimentato da presa di corrente (con cavo) o da batterie (senza cavo).

SICUREZZA DELL'AREA DI LAVORO

- **Mantenere l'area di lavoro pulita e ben illuminata.** Aree ingombre e ombreggiate favoriscono gli incidenti.
- **Non usare gli utensili elettrici in atmosfere esplosive, ad esempio in presenza di liquidi, gas o polveri infiammabili.** Gli utensili elettrici producono scintille suscettibili di dare fuoco a polveri o vapori.
- **Tenere eventuali altre persone e bambini lontane durante l'uso di un utensile elettrico.** Le distrazioni comportano il rischio di perdita di controllo.

SICUREZZA ELETTRICA

- **La spina dell'utensile elettrico deve essere adeguata alla presa in cui verrà inserita. Non modificare la spina in alcun modo. Non usare adattatori con utensili elettrici messi a terra o a massa.** Spine non modificate e prese adatte riducono il rischio di scossa elettrica.
- **Evitare il contatto del corpo con superfici messe a terra o a massa, ad esempio tubi, radiatori, fornelli e frigoriferi.** Il rischio di scossa elettrica aumenta se il proprio corpo è messo a terra o a massa.
- **Non esporre gli utensili elettrici a pioggia o condizioni di umidità.** La penetrazione di acqua all'interno di un utensile elettrico aumenta il rischio di

scossa elettrica.

- **Non danneggiare il cavo del gruppo batteria. Non usare il cavo per trasportare, tirare o scollegare l'utensile elettrico dalla presa di corrente. Tenere il cavo al riparo da calore, olio, bordi affilati o parti mobili.** La presenza di cavi danneggiati o aggrovigliati aumenta il rischio di scossa elettrica.
- **Durante l'uso di un utensile elettrico all'aperto, usare una prolunga progettata appositamente per ambienti esterni.** L'uso di un cavo adatto agli ambienti esterni riduce il rischio di scossa elettrica.
- **Se è necessario usare l'utensile elettrico in un ambiente umido, la rete di alimentazione deve essere protetta da un interruttore differenziale (RCD).** L'uso di un interruttore differenziale (RCD) riduce il rischio di scossa elettrica.

SICUREZZA PERSONALE

- **Rimanere vigili, prestare attenzione a ciò che si sta facendo e usare il buon senso durante l'uso dell'utensile elettrico. Non usare l'utensile elettrico se si è stanchi o sotto l'effetto di droghe, alcol o medicinali.** Anche un solo momento di disattenzione durante l'uso dell'utensile elettrico comporta il rischio di lesioni gravi.
- **Indossare attrezzatura di protezione. Indossare sempre protezioni per gli occhi.** Se le condizioni lo richiedono, indossare anche maschere antipolveri, calzature antiscivolo, caschi o protezioni per le orecchie per ridurre il rischio di infortunio.
- **Prevenire l'avvio accidentale. Verificare che l'interruttore sia in posizione di spegnimento prima di raccogliere, trasportare o collegare l'utensile elettrico alla rete elettrica e/o al gruppo batteria.** Trasportare un utensile elettrico con il dito sull'interruttore o inserire il gruppo batteria quando l'interruttore è in posizione di accensione favorisce gli incidenti.
- **Rimuovere eventuali chiavi di serraggio prima di accendere l'utensile elettrico.** Una chiave di serraggio rimasta inserita in un elemento mobile dell'utensile elettrico può provocare infortuni.
- **Non allungarsi eccessivamente. Tenere i piedi a contatto con il pavimento e mantenere sempre l'equilibrio.** Ciò permette di avere un maggiore controllo dell'utensile elettrico in caso di imprevisti.
- **Vestirsi in modo adeguato. Non indossare gioielli o abiti molto larghi. Tenere capelli e indumenti lontani dalle parti in movimento.** Indumenti ampi,

gioielli o capelli lunghi possono rimanere impigliati nelle parti in movimento.

- **Se sono presenti dispositivi di aspirazione e trattenimento delle polveri, assicurarsi che siano collegati e usati correttamente.** L'uso di tali dispositivi può ridurre i rischi derivanti dalla polvere.
- **Non lasciare che la familiarità con l'apparecchio (derivata da un uso frequente) abbassi il livello di attenzione.** Anche una minima distrazione può causare gravi infortuni.

IT

■ USO E MANUTENZIONE DEGLI UTENSILI ELETTRICI

- **Non forzare l'utensile elettrico. Utilizzare l'utensile più adatto al lavoro da svolgere.** L'utensile elettrico adatto sarà più efficace e sicuro se usato al regime per cui è stato progettato.
- **Non usare l'utensile elettrico se l'interruttore non funziona correttamente.** Gli utensili elettrici che non possono essere accesi e spenti correttamente sono pericolosi e devono essere riparati.
- **Rimuovere il gruppo batteria, se removibile, e/o scollegare l'utensile elettrico dalla rete elettrica prima di regolarlo, riporlo o sostituire gli accessori.** Tale misura di sicurezza riduce il rischio di avvio accidentale dell'utensile elettrico.
- **Riporre gli utensili elettrici fuori dalla portata dei bambini e non consentirne l'uso a persone che non lo sanno usare o non hanno letto queste istruzioni.** Gli utensili elettrici diventano strumenti pericolosi nelle mani di persone che non sanno usarli.
- **Mantenere gli utensili elettrici e gli accessori in buono stato.** Verificare che le parti mobili non siano disallineate o piegate e che non siano presenti danni o altre condizioni che potrebbero compromettere il funzionamento dell'utensile elettrico. Se danneggiato, fare riparare l'utensile elettrico prima di usarlo. Molti incidenti sono dovuti a una cattiva manutenzione degli utensili elettrici.
- **Mantenere gli utensili elettrici puliti e affilati.** Gli utensili di taglio mantenuti puliti e affilati hanno meno probabilità di subire malfunzionamenti e sono più facili da controllare.
- **Usare l'utensile elettrico, gli accessori, le punte, ecc. conformemente a queste istruzioni, tenendo conto delle condizioni di lavoro e delle operazioni**

da eseguire. L'uso dell'utensile elettrico per operazioni diverse da quelle per cui è progettato può comportare situazioni di pericolo.

- **Tenere le impugnature e le superfici di presa asciutte, pulite e prive di olio o grasso.** Impugnature e superfici di presa scivolose non garantiscono l'uso sicuro e il controllo dell'utensile in situazioni impreviste.

USO E MANUTENZIONE DELLA BATTERIA

- **Ricaricare la batteria esclusivamente con il caricabatteria specificato dal costruttore.** Un caricabatteria adatto a un tipo di gruppo batteria può comportare il rischio di incendio se usato con un altro gruppo batteria.
- **Usare esclusivamente gruppi batteria progettati specificamente per questo utensile elettrico.** L'uso di altri gruppi batteria comporta il rischio di incendio e infortunio.
- **Quando la batteria non è in uso, tenerla lontana da piccoli oggetti metallici, ad esempio graffette, monete, chiavi, chiodi, viti ecc. poiché potrebbero creare un collegamento tra i due terminali.** L'eventuale cortocircuito dei terminali della batteria comporta il rischio di incendio o di ustioni.
- **L'utilizzo improprio dell'utensile elettrico può causare fuoriuscite di liquido dalla batteria: evitare il contatto con tale liquido. In caso di contatto accidentale, lavare con acqua. Se il liquido entra in contatto con gli occhi, consultare un medico.** Il liquido fuoriuscito dalla batteria può causare irritazioni o ustioni.
- **Rispettare tutte le istruzioni relative alla ricarica e non ricaricare il gruppo batteria o l'utensile a temperature diverse da quelle specificate nelle istruzioni.** Una ricarica eseguita in modo improprio o a temperature diverse da quelle specificate può danneggiare la batteria e aumentare il rischio di incendio.
- **Non usare gruppi batteria o utensili danneggiati o modificati.** Le batterie danneggiate o modificate possono manifestare comportamenti imprevisti, con il rischio di incendio, esplosione o infortunio.
- **Non esporre il gruppo batteria o l'utensile a fiamme o temperature eccessive.** L'esposizione a fiamme o temperature superiori a 100 °C comporta il rischio di esplosione.

RIPARAZIONI

- **Affidare la riparazione dell'utensile elettrico a tecnici qualificati usando esclusivamente parti di**

ricambio identiche. Ciò salvaguarderà la sicurezza dell'utensile elettrico.

- **Non riparare gruppi batteria danneggiati.** La riparazione dei gruppi batteria deve essere effettuata esclusivamente dal fabbricante o da un centro di assistenza autorizzato.

AVVERTENZE DI SICUREZZA SPECIFICHE PER TAGLIASIEPI

- **Mantenere tutte le parti del corpo lontano dalla lama di taglio. Non rimuovere il materiale tagliato e non tenere il materiale da tagliare quando le lame sono in movimento. Verificare che l'interruttore sia in posizione di spegnimento durante la rimozione di materiale incastrato.** Anche un solo momento di disattenzione durante l'uso del tagliasiepi comporta il rischio di lesioni gravi.
- **Trasportare il tagliasiepi esclusivamente tramite l'impugnatura e con la lama di taglio arrestata.** Durante il trasporto o la conservazione del tagliasiepi, inserire sempre il coprilama. La corretta manipolazione del tagliasiepi riduce il rischio di lesioni dovute alla lama di taglio.
- **Tenere il tagliasiepi esclusivamente tramite le superfici di presa, perché la lama di taglio può entrare in contatto con cavi elettrici nascosti.** Se entra in contatto con un cavo sotto tensione, la lama di taglio può trasmettere la corrente alle parti metalliche dell'utensile elettrico, comportando il rischio di scossa elettrica.
- **Tenere il cavo della batteria lontano dall'area di taglio.** Durante l'uso, il cavo può nascondersi tra i cespugli e venire accidentalmente tagliato dalla lama.
- Controllare che la siepe sia priva di oggetti estranei, ad esempio fili metallici.
- Usare il tagliasiepi esclusivamente con i dispositivi di protezione assemblati correttamente. L'uso del tagliasiepi senza i dispositivi di protezione comporta il rischio di lesioni gravi!
- **Tenere il tagliasiepi con entrambe le mani durante l'uso. Tenerlo con una sola mano può causarne la perdita di controllo con il conseguente rischio di lesioni gravi.**

ISTRUZIONI DI SICUREZZA IMPORTANTI

- Non ricaricare il gruppo batteria sotto la pioggia o in luoghi umidi.
- Il gruppo batteria deve essere rimosso dall'apparecchio prima che sia smaltito.
- Non afferrare la parte esposta della lama di taglio o i

bordi taglienti quando si raccoglie o si usa il tagliasiepi.

- Non usare il tagliasiepi su scale, tetti, alberi o altri supporti instabili. Un appoggio stabile su una superficie solida garantisce un miglior controllo del tagliasiepi in situazioni inaspettate.
- Non permettere mai ai bambini di usare il tagliasiepi.
- Non rimuovere o alterare i dispositivi di sicurezza. Controllare con regolarità che funzionino correttamente. Non effettuare mai operazioni suscettibili di interferire con la destinazione d'uso di un dispositivo di sicurezza o ridurre il grado di protezione fornito.
- Controllare a brevi intervalli che la lama e i bulloni di fissaggio del motore siano serrati correttamente. Inoltre, ispezionare visivamente la lama per verificare l'assenza di danni (verificare ad esempio che non sia piegata, incrinata o usurata) Sostituire la lama esclusivamente con una lama EGO™.
- Sostituire la lama se è piegata o incrinata. Una lama non bilanciata causa vibrazioni suscettibili di danneggiare il motore o causare lesioni.
- Se l'apparecchio inizia a vibrare in modo anomalo, arrestare il motore e individuare immediatamente la causa.
- Questo tagliasiepi deve essere usato per tagliare ceppi di spessore inferiore a (33mm).
- Non pulire l'apparecchio con tubi per innaffiare; evitare le infiltrazioni d'acqua nel motore e nelle connessioni elettriche.
- Seguire le istruzioni relative alla lubrificazione e alla sostituzione degli accessori.
- Tenere le impugnature asciutte, pulite e prive di olio e grasso.
- Conservare queste istruzioni. Consultarle frequentemente e usarle per istruire gli altri utenti dell'apparecchio. Se si presta questo apparecchio ad altre persone, allegare anche queste istruzioni per evitare l'uso errato dell'apparecchio e il rischio di infortunio.

CONSERVARE QUESTE ISTRUZIONI!

SPECIFICHE TECNICHE

Voltaggio	56 V ---	56 V ---	
Velocità della lama	1800 /min	1800 /min	
Lunghezza della lama	65 cm	75 cm	
Capacità di taglio	31 mm	31 mm	
Peso dell'utensile	4,1 kg	4,2 kg	
Temperatura di esercizio raccomandata	0°C-40°C	0°C-40°C	
Temperatura di conservazione raccomandata	-20°C-70°C	-20°C-70°C	
Livello di potenza sonora misurato L_{WA}	90,1 dB(A) K=2,9 dB(A)	95,4 dB(A) K=1,52 dB(A)	
Livello di pressione sonora a livello dell'orecchio dell'operatore L_{PA}	80,1 dB(A) K=3 dB(A)	83,9 dB(A) K=2,5 dB(A)	
Livello di potenza sonora garantito L_{WA} (conformemente a 2000/14/EC)	93 dB(A)	97 dB(A)	
Vibrazioni a_h	Impugnatura posteriore	3,2 m/s ² K=1,5 m/s ²	2,872 m/s ² K=1,5 m/s ²
	Impugnatura anteriore	3,9 m/s ² K=1,5 m/s ²	3,536 m/s ² K=1,5 m/s ²

- Il valore totale di vibrazioni indicato può essere utilizzato anche per una valutazione preliminare dei livelli di esposizione.
- Il valore totale di vibrazioni indicato può essere utilizzato anche per una valutazione preliminare dei livelli di esposizione.

ATTENZIONE! L'emissione di vibrazioni durante l'uso effettivo dell'apparecchio può variare rispetto al valore indicato in base a come viene utilizzato l'utensile. Per proteggersi, l'operatore deve indossare guanti e dispositivi di protezione per le orecchie in base alle reali condizioni d'uso.

CONTENUTO DELLA CONFEZIONE

Denominazione del componente	Quantità
Tagliasiepi	1
Schermo	1
Manuale di istruzioni	1

DESCRIZIONE

DESCRIZIONE DEL TAGLIASIEPI (Fig. A)

1. Protezione della punta
2. Lama
3. Coprilama
4. Interruttore a leva anteriore
5. Impugnatura anteriore
6. Pulsante di sbloccaggio
7. Interruttore a leva posteriore
8. Impugnatura posteriore
9. Gancio a U
10. Presa
11. Paramano
12. Schermo

⚠ AVVERTENZA! Questo prodotto è uscito dalla fabbrica completamente assemblato. Non rimuovere mai il paramano durante l'uso. Se danneggiato, farlo sostituire immediatamente da un tecnico qualificato.

⚠ AVVERTENZA! L'uso sicuro di questo prodotto richiede la comprensione delle informazioni riportate sull'apparecchio e in questo manuale e la conoscenza del progetto di lavoro. Prima di usare l'apparecchio, familiarizzarsi con tutte le funzioni operative e le norme di sicurezza.

FUNZIONAMENTO

⚠ AVVERTENZA! La familiarità con questo apparecchio non deve rendere l'operatore disattento. Anche un solo momento di disattenzione comporta il rischio di lesioni gravi.

⚠ AVVERTENZA! Indossare sempre protezioni per gli occhi con protezioni laterali e protezioni per le orecchie. Il mancato rispetto di questa istruzione comporta il rischio di oggetti proiettati verso gli occhi dell'operatore e altre lesioni gravi.

⚠ AVVERTENZA! Per evitare l'avvio accidentale e il conseguente rischio di lesioni gravi, rimuovere sempre il gruppo batteria dall'apparecchio durante l'assemblaggio dei componenti, le operazioni di regolazione e pulizia e quando non è in uso.

⚠ AVVERTENZA! Non usare accessori non raccomandati da EGO™. L'uso di accessori non raccomandati comporta il rischio di lesioni gravi.

Prima di ogni utilizzo, ispezionare l'intero apparecchio per verificare che nessun elemento sia mancante e non siano presenti componenti danneggiati o allentati, ad esempio viti, dadi, bulloni, tappi, ecc. Serrare saldamente tutti i dispositivi di fissaggio e le coperture e non usare l'apparecchio finché tutti componenti mancanti o danneggiati non vengono sostituiti.

Il prodotto può essere usato sotto la pioggia.

INSTALLARE/RIMUOVERE IL GRUPPO BATTERIA

Usare esclusivamente con i gruppi batteria e i caricabatteria elencati in fig. A.

Ricaricare prima del primo utilizzo.

Installazione (Fig. B & C & D)

Con il logo ▲ allineato rispettivamente sulla spina e sul tagliasiepi, inserire la spina nel tagliasiepi finché il sigillo verde non scompare completamente nella presa.

Fissare il cavo della batteria sul gancio a U.

Rimozione (Fig. E)

Rilasciare il cavo della batteria dal gancio a U ed estrarre la spina dal tagliasiepi.

AVVIARE/ARRESTARE IL TAGLIASIEPI

Prima di avviare il tagliasiepi, rimuovere il coprilama e tenere il tagliasiepi con entrambe le mani: una mano sull'impugnatura posteriore e l'altra sull'impugnatura anteriore. Assumere quindi una posizione eretta e in equilibrio e osservare una corretta distanza di taglio.

⚠ AVVERTENZA! Tenere sempre entrambe le mani sulle impugnature del tagliasiepi. Non tenere mai il cespuglio con una mano e il tagliasiepi in funzione con l'altra mano. Il mancato rispetto di questa avvertenza comporta il rischio di lesioni gravi.

⚠ AVVERTENZA! Durante l'arresto del tagliasiepi, portare il pulsante di sbloccaggio in posizione "OFF" prima di rimuovere il gruppo batteria. Il mancato rispetto di questa avvertenza comporta il rischio di lesioni gravi.

Avvio

Portare il pulsante di sbloccaggio in posizione "ON" (Fig. F), quindi premere l'interruttore a leva posteriore. Tenere premuto l'interruttore a leva posteriore e premere l'interruttore a leva anteriore per avviare l'apparecchio.

Descrizione delle parti in Fig. F:

F-1	Pulsante di sbloccaggio
F-2	Interruttore a leva posteriore

Arresto

Rilasciare uno dei due interruttori a leva per arrestare l'apparecchio e portare il pulsante di sbloccaggio in posizione "OFF" per evitare l'avvio accidentale.

ATTENZIONE! Entrambi gli interruttori a leva devono essere premuti per mettere in funzione il tagliasiepi.

COME IMPUGNARE IL TAGLIASIEPI

Con la lama lontana da sé, impugnare il tagliasiepi con entrambe le mani, una sull'impugnatura anteriore e l'altra sull'impugnatura posteriore. Sono disponibili tre modalità di impugnatura a seconda delle diverse operazioni di taglio (Fig. G & H & I).

COME USARE IL TAGLIASIEPI

⚠ AVVERTENZA! Se la lama si inceppa in un cavo elettrico, **NON TOCCARE LA LAMA! PUÒ DIVENTARE ELETTRIFICATA E MOLTO PERICOLOSA.** Continuare a tenere il tagliasiepi tramite l'impugnatura isolata posteriore o appoggiarlo lontano da sé in modo sicuro. Scollegare la fonte di alimentazione del cavo danneggiato prima di tentare di sbloccare la lama dal cavo. Il mancato rispetto di questa avvertenza comporta il rischio di lesioni gravi o mortali.

⚠ AVVERTENZA! Per evitare lesioni gravi, tenere le mani a distanza dalle lame. Non tentare di rimuovere il materiale tagliato e non tenere il materiale da tagliare quando le lame sono in movimento. Verificare che le lame si siano arrestate completamente e che il gruppo batteria sia stato rimosso prima di rimuovere il materiale incastrato sulle lame. Non afferrare la parte esposta delle lame di taglio o i bordi taglienti quando si raccoglie o si usa il tagliasiepi.

⚠ AVVERTENZA! Sgombrare l'area da tagliare prima di ogni utilizzo. Rimuovere oggetti come cavi, luci o corde perché potrebbero impigliarsi nella lama di taglio con il rischio di lesioni gravi.

⚠ AVVERTENZA! Evitare di tagliare una quantità eccessiva di materiale in una volta sola o cespugli troppo folti per evitare che le lame si pieghino e rallentino,

riducendo l'efficienza di taglio.

ATTENZIONE! Durante il taglio di vegetazione giovane, usare un movimento ampio, affinché la lama di taglio raggiunga direttamente i rami. La vegetazione meno giovane ha rami più spessi: per facilitare il taglio, usare un movimento a sega. Usare una sega a mano o delle cesoie per tagliare preventivamente i rami più spessi.

Taglio superiore

Usare un movimento ampio. Una leggera inclinazione delle lame di taglio verso il basso in direzione del movimento darà i migliori risultati di taglio. È anche possibile usare una corda come guida durante il taglio, come illustrato in Fig. J.

Taglio laterale

Durante il taglio dei lati della siepe, iniziare dal basso e tagliare verso l'alto, come illustrato in Fig. K.

Protezione della punta

La protezione della punta (Fig. L) serve per proteggere l'estremità esterna della lama.

Coprilama

La parte esterna delle lame si adatta al coprilama (Fig. M). Descrizioni delle parti in Fig. M:

M-1	Lama
M-2	Coprilama

AVVERTENZA! Controllare sempre che il coprilama non sia danneggiato distorto. Sostituirlo se è piegato o danneggiato.

MANUTENZIONE

AVVERTENZA! Per la riparazione dell'apparecchio, usare esclusivamente parti di ricambio identiche. L'uso di altri ricambi comporta situazioni pericolose o il rischio di danni all'apparecchio. Per garantire sicurezza e affidabilità, tutte le riparazioni e sostituzioni devono essere eseguite da un tecnico qualificato.

AVVERTENZA! Per evitare lesioni gravi, rimuovere sempre il gruppo batteria dall'apparecchio prima delle operazioni di pulizia o manutenzione.

PULIZIA

- Usare una piccola spazzola per rimuovere i detriti dalle aperture di ventilazione e dalla lama di taglio.
- Per rimuovere catrame e altri residui collosi, spruzzare sulle lame del solvente per resine. Avviare brevemente il motore affinché il solvente si distribuisca omogeneamente.
- Pulire la superficie con un panno asciutto.

AVVERTENZA! Evitare l'uso di solventi durante la pulizia delle parti in plastica. La maggior parte dei materiali plastici può essere danneggiata da diversi tipi di solventi in commercio. Usare un panno pulito per rimuovere sporczia, polvere, olio, grasso, ecc.

AFFILATURA DELLA LAMA

1. Rimuovere il gruppo batteria dal taglia siepi.
2. AHB6500S/AHB7500S: serrare il gruppo lama in una morsa e affilare la superficie di taglio esposta di ogni tagliante. Rimuovere meno materiale possibile. AHB6500/AHB7500 (con "E" e "TEMPRATA" sulla superficie della lama): fissare il gruppo lama in una morsa e affilare la superficie di taglio esposta con una lima diamantata o una smerigliatrice a bassa velocità (velocità di rotazione < 2500 min⁻¹, velocità di avanzamento < 60 mm/min, numero di maglie > 100). Rimuovere meno materiale possibile.
3. Rimuovere il taglia siepi dalla morsa e affilare la lama esposta dall'altro lato.

Ripetere questa procedura fino ad affilare tutti i taglianti della lama.

ATTENZIONE! Non usare il taglia siepi con una lama smussata o danneggiata per evitare il rischio di surriscaldamento e risultati di taglio non soddisfacenti.

ATTENZIONE! Una lama metallica normale non è adatta per affilare la lama speciale AHB6500/AHB7500.

ATTENZIONE! Se la lama viene affilata con una smerigliatrice a bassa velocità (velocità di rotazione < 2500 min⁻¹), bagnare costantemente i taglianti durante l'operazione.

COME LUBRIFICARE IL TAGLIASIEPI

AVVERTENZA! Non lubrificare il taglia siepi mentre è in funzione o collegato alla batteria.

Lubrificazione della lama

Per le migliori prestazioni e una maggiore durata di vita, lubrificare la lama del taglia siepi con dell'olio per

macchine leggero prima e dopo ogni utilizzo.

Rimuovere il gruppo batteria e appoggiare l'apparecchio su una superficie piana. Applicare il lubrificante sul bordo della lama superiore (Fig. N).

Lubrificazione della scatola degli ingranaggi

Per un funzionamento ottimale e una maggiore durata di vita, lubrificare la scatola degli ingranaggi del tagliaerba con del grasso speciale (5-6 g in #1 e 10-12 g in #2 alla volta) dopo circa 50 ore di utilizzo.

Il grasso deve rispettare i requisiti elencati di seguito.

1. Grado di consistenza conforme a DIN51818: NLGI-2.
2. Composto da addensatori in poliurea + olio lubrificante sintetico.
3. Bassa temperatura di avviamento, EP, abbassamento meccanico, resistenza all'abrasione e proprietà ossidative stabili.
4. Temperatura operativa compresa tra -40 e 180 °C.

Rimuovere il connettore della batteria e le due viti sigillante (Fig. O). Lubrificare la scatola degli ingranaggi attraverso l'apposito foro.

AVVERTENZA! Non riempire completamente la scatola degli ingranaggi con il grasso.

TRASPORTO E CONSERVAZIONE

- Posizionare sempre il coprilama sulla lama prima di trasportare o riporre il tagliaerba. Prestare attenzione per evitare il contatto con i denti affilati della lama.
- Pulire accuratamente il tagliaerba prima di riporlo.
- Conservare il tagliaerba in un luogo al chiuso, asciutto e inaccessibile ai bambini.
- Tenerlo al riparo da agenti corrosivi, ad esempio sostanze chimiche per il giardinaggio e sale per disgelo.

AVVERTENZA! Le lame sono affilate. Durante la manipolazione del gruppo lama, indossare guanti protettivi robusti e antiscivolo. Non posizionare la mano o le dita tra le lame o in qualsiasi posizione in cui potrebbero venire schiacciate o tagliate. Non toccare MAI le lame e non riparare l'apparecchio con il gruppo batteria installato.

Protezione dell'ambiente



Non smaltire apparecchi elettrici, caricabatteria e batterie insieme ai rifiuti domestici. Portare il prodotto presso un centro di riciclaggio autorizzato affinché venga raccolto separatamente. Gli apparecchi elettrici devono essere portati presso un centro di riciclaggio ecocompatibile.

RISOLUZIONE DEI PROBLEMI

IT

PROBLEMA	CAUSA	SOLUZIONE
Il tagliaerba non funziona	<ul style="list-style-type: none"> Il gruppo batteria non è fissato al tagliaerba o non è in contatto elettrico con il tagliaerba. 	<ul style="list-style-type: none"> Reinserire la spina della batteria nel tagliaerba.
	<ul style="list-style-type: none"> Il gruppo batteria è scarico. 	<ul style="list-style-type: none"> Ricaricare il gruppo batteria con il caricabatteria specificato.
	<ul style="list-style-type: none"> Il pulsante di sbloccaggio non è stato portato in posizione "ON" prima di premere gli interruttori a leva. 	<ul style="list-style-type: none"> Prima di usare il tagliaerba, assicurarsi che il pulsante di sbloccaggio sia sbloccato.
	<ul style="list-style-type: none"> Il gruppo batteria o il tagliaerba sono troppo caldi. 	<ul style="list-style-type: none"> Attendere che la temperatura del gruppo batteria e del tagliaerba diminuisca.
	<ul style="list-style-type: none"> La lama è inceppata. 	<ul style="list-style-type: none"> Rimuovere il gruppo batteria dall'apparecchio. Rimuovere attentamente l'ostruzione, quindi reinserire la batteria e riavviare l'utensile.
	<ul style="list-style-type: none"> Il tagliaerba è sovraccarico. 	<ul style="list-style-type: none"> Ridurre il carico dell'apparecchio.
Rumore o vibrazioni eccessivi.	<ul style="list-style-type: none"> Le lame sono asciutte o corrose. 	<ul style="list-style-type: none"> Lubrificare le lame.
	<ul style="list-style-type: none"> Le lame o il supporto della lama sono piegati. 	<ul style="list-style-type: none"> Sostituire con una lama nuova o un supporto nuovo. Contattare il centro di assistenza EGO per la sostituzione della lama o del supporto.
	<ul style="list-style-type: none"> I denti sono piegati o danneggiati. 	<ul style="list-style-type: none"> Sostituire con una lama nuova. Contattare il centro di assistenza EGO per la sostituzione della lama.
	<ul style="list-style-type: none"> I bulloni della lama sono allentati. 	<ul style="list-style-type: none"> Serrare i bulloni della lama. Con una chiave, ruotare il bullone in senso orario per serrarlo.

GARANZIA

CONDIZIONI DELLA GARANZIA EGO

Visitare il sito web egopowerplus.eu per consultare le condizioni complete della garanzia EGO.

LEES ALLE INSTRUCTIES!



LEES DE GEBRUIKSAANWIJZING

⚠ WAARSCHUWING: Om een continue veiligheid en betrouwbaarheid te waarborgen, dienen alle reparaties en vervangingen van onderdelen uitgevoerd te worden door een vakbekwame reparateur.

VEILIGHEIDSSYMBOLEN

Het doel van de veiligheidssymbolen is om u te wijzen op mogelijke gevaren. Besteed daarom voldoende aandacht hieraan en begrijp de veiligheidssymbolen en bijbehorende uitleg. De symboolwaarschuwingen op zich elimineren geen enkel gevaar.

De gegeven instructies en waarschuwingen gelden niet als vervanging voor gepaste voorzorgsmaatregelen tegen ongevallen.

⚠ WAARSCHUWING: Lees en begrijp alle veiligheidsinstructies die in deze gebruikershandleiding zijn vermeld, waaronder alle veiligheidssymbolen zoals “GEVAAR”, “WAARSCHUWING”, en “OPGELET” voordat u dit apparaat in gebruik neemt. Het negeren van onderstaande instructies kan leiden tot elektrische schokken, brand en/of ernstig persoonlijk letsel.

BETEKENIS VAN DE SYMBOLEN

WAARSCHUWINGSSYMBOL: Geeft **GEVAAR**, **WAARSCHUWING** of **OPGELET** aan. Kan worden gebruikt in combinatie met andere symbolen of pictogrammen.

⚠ WAARSCHUWING: De werking van het apparaat kan leiden tot het rondslingeren van (vreemde) objecten die in uw ogen kunnen terechtkomen. Dit kan leiden tot ernstig oogletsel. Wanneer u elektrische apparaten gebruikt, zorg er dan voor dat u altijd een veiligheidsbril (met zjschermen) of een gelaatsscherm draagt. We bevelen aan om een gelaatsscherm over uw bril of standaard veiligheidsbril met zjschermen te gebruiken.

VEILIGHEIDSVORSCHRIFTEN

Deze pagina toont en beschrijft alle veiligheidssymbolen die zich op dit product kunnen bevinden. Lees, begrijp en volg alle instructies op de machine voordat u deze in elkaar zet en gebruikt.

	Veiligheids-waarschuwing	Geeft een risico op persoonlijk letsel aan.
	Lees de gebruikers-handleiding zorgvuldig door	De gebruiker moet de gebruikershandleiding lezen om het risico op letsel te beperken
	Houd handen en voeten uit de buurt van het snijgereedschap	Probeer nooit uw elektrisch gereedschap met één hand te bedienen. Controleverlies over het elektrisch gereedschap kan resulteren in ernstig of fataal letsel. Om het risico op snijwonden te verminderen, dient u handen en voeten uit de buurt van het snijgereedschap te houden. Raak nooit een bewegend snijgereedschap aan met uw hand of een ander deel van uw lichaam.
	Draag oogbescherming	Draag altijd een veiligheidsbril met zjschermen en een gelaatsscherm als u dit product gebruikt.
	Geluidniveau	Gewaarborgd geluidsvermogensniveau. Geluidsemisatie voor de omgeving in overeenstemming met de richtlijnen van de Europese Unie.
	CE	Dit product is in overeenstemming met de EG-richtlijnen.
	UKCA	Dit product is in overeenstemming met de geldende wetgeving van het VK.
	WEEE	Gooi elektrisch afval niet via het huishoudelijk afval weg. Breng het naar een geautoriseerd recyclingbedrijf.
	Zwaardlengte	De lengte van het blad
	Zaagcapaciteit	Maximale zaagcapaciteit van het zwaard
	IP symbool	Bescherming tegen waterstralen
	Volt	Spanning
	Gelijkstroom	Stroomtype of -karakteristiek

.../min	Per minuut	Toeren per minuut
mm	millimeter	Lengte of afmeting
cm	Centimeter	Lengte of afmeting
n_0	Snelheid zonder belasting	Draaisnelheid, zonder belasting

ALGEMENE VEILIGHEIDSWAARSCHUWINGEN VOOR ELEKTRISCH GEREEDSCHAP

⚠ WAARSCHUWING: Lees alle veiligheidswaarschuwingen, instructies, illustraties en specificaties die met dit elektrisch gereedschap worden geleverd. Het negeren van onderstaande instructies kan leiden tot elektrische schokken, brand en/of ernstig letsel.

Bewaar alle waarschuwingen en instructies voor latere raadpleging.

De term "elektrisch gereedschap" in de waarschuwingen verwijst naar uw op het voedingsnet aangedreven (met snoer) handgereedschap of accu-aangedreven (snoerloos) handgereedschap.

VEILIGHEID OP DE WERKPLAATS

- **Houd uw werkplaats schoon en goed verlicht.** Rommelige of donkere ruimten kunnen ongevallen veroorzaken.
- **Gebruik geen handgereedschap in ruimten waar een explosieve atmosfeer kan ontstaan, bijvoorbeeld in de aanwezigheid van ontvlambare vloeistoffen, gassen of stof.** Handgereedschap creëert vonken en deze kunnen stof of dampen in brand steken.
- **Houd kinderen en omstanders uit de buurt wanneer u een elektrisch gereedschap bedient.** Afleiding kan tot controleverlies leiden.

ELEKTRISCHE VEILIGHEID

- **De stekker van het elektrisch gereedschap moet met het stopcontact overeenstemmen. Pas de stekker op geen enkele manier aan. Gebruik geen adapterstekker met geaard elektrisch gereedschap.** Niet aangepaste stekkers en overeenkomstige stopcontacten beperken het risico op elektrische schokken.
- **Vermijd lichaamscontact met geaarde oppervlakken, zoals pijpleidingen, radiatoren, fornuizen of koelkasten.** Het risico op een elektrische schok is groter als uw lichaam geaard is.

- **Stel elektrisch gereedschap niet bloot aan regen of vochtige omstandigheden.** Water dat elektrisch gereedschap binnendringt, vergroot het risico op elektrische schokken.
- **Misbruik de kabel van het accupack niet. Gebruik het snoer nooit om het elektrisch gereedschap te dragen of mee te trekken of om de stekker uit het stopcontact te halen. Houd het snoer uit de buurt van hitte, olie, scherpe randen en bewegende onderdelen.** Beschadigde of verstrikte snoeren vergroten het risico op elektrische schokken.
- **Wanneer u een elektrisch gereedschap buitenshuis bedient, gebruik een verlengsnoer dat voor gebruik buitenshuis is geschikt.** Het gebruik van een snoer dat voor gebruik buitenshuis is geschikt verkleint het risico op elektrische schokken.
- **Als het gebruik van elektrisch gereedschap in een vochtige ruimte noodzakelijk is, gebruik dan een differentieelschakelaar.** Het gebruik van een differentieelschakelaar verkleint het risico op elektrische schokken.

PERSOONLIJKE VEILIGHEID

- **Wees waakzaam, let op wat u doet en gebruik uw gezond verstand wanneer u elektrisch gereedschap gebruikt. Gebruik het elektrisch gereedschap niet als u moe bent of onder de invloed bent van drugs, alcohol of medicijnen.** Een moment van onoplettendheid tijdens de werking van het elektrisch gereedschap kan leiden tot ernstig persoonlijk letsel.
- **Gebruik persoonlijke beschermingsuitrusting. Draag altijd oogbescherming.** Beschermingsuitrusting zoals een stofmasker, slijpvaste werkschoenen, veiligheidshelm of gehoorbescherming afhankelijk van de aard en het gebruik van het gereedschap verkleint het risico op persoonlijk letsel.
- **Vermijd dat het gereedschap per ongeluk wordt gestart. Zorg dat de schakelaar op de positie Uit is ingesteld voordat u het gereedschap op een stroombron en/of accupack aansluit, vastneemt of draagt.** Het dragen van elektrisch gereedschap met uw vinger op de schakelaar of gereedschap ingeschakeld op de stroomvoorziening aansluiten kan ongevallen veroorzaken.
- **Verwijder instelsleutels of moersleutels voordat u het elektrisch gereedschap inschakelt.** Een instelsleutel of moersleutel in een draaiend deel van het elektrisch gereedschap achterlaten kan leiden tot persoonlijk letsel.

- **Reik niet te ver. Zorg er altijd voor dat u stevig en stabiel staat.** Dit zorgt ervoor dat u het elektrisch gereedschap in onverwachte situaties beter onder controle kunt houden.
- **Draag passende kleding. Draag geen los hangende kleding of sieraden. Houd uw haar en kleding uit de buurt van bewegende onderdelen.** Los hangende kleding, juwelen en lang haar kunnen in bewegende onderdelen verstrikt raken.
- **Wanneer de montage van stofafzuigings- of stofopvangvoorzieningen mogelijk is, dient u ervoor te zorgen dat deze juist aangesloten en gebruikt worden.** Het gebruik van een stofopvang kan helpen om het risico in verband met stof te verlagen.
- **Word niet zelfingenomen door de ervaring die u heeft opgedaan door frequent gebruik, waardoor u dan de veiligheidswaarschuwingen negeert.** Een achteloze actie kan binnen een fractie van een seconde ernstig letsel veroorzaken.

ELEKTRISCH GEREEDSCHAP GEBRUIKEN EN ONDERHOUDEN

- **Overbelast het elektrisch gereedschap niet. Gebruik het juiste elektrisch gereedschap voor uw toepassing.** Met het juiste elektrisch gereedschap werkt u beter en veiliger binnen het aangegeven capaciteitsbereik.
- **Gebruik het elektrisch gereedschap niet als de schakelaar niet kan worden in- en uitgeschakeld.** Elektrisch gereedschap dat niet kan worden in- of uitgeschakeld is gevaarlijk en moet worden gerepareerd.
- **Trek de stekker uit de stroomvoorziening en/of verwijder het accupack, indien deze kan worden verwijderd, uit het elektrisch gereedschap voordat u het instelt, accessoires vervangt of het gereedschap opbergt.** Deze preventieve voorzorgsmaatregelen beperken het risico op onbedoeld starten van het elektrisch gereedschap.
- **Berg niet-gebruikt gereedschap op buiten het bereik van kinderen en zorg ervoor dat personen die niet vertrouwd zijn met het gereedschap of die deze instructies niet hebben gelezen het gereedschap niet gebruiken.** Elektrisch gereedschap is gevaarlijk wanneer deze door onervaren personen worden gebruikt.
- **Onderhoud van elektrisch gereedschap en accessoires. Controleer of de bewegende onderdelen correct functioneren en niet vastklemmen en of de onderdelen zodanig gebroken of beschadigd zijn dat de werking van het elektrisch gereedschap nadelig wordt beïnvloed. Laat beschadigde onderdelen repareren voordat u het elektrisch gereedschap gebruikt.** Vele ongevallen worden veroorzaakt door slecht onderhouden elektrisch gereedschap.
- **Houd de snij-onderdelen scherp en schoon.** Zorgvuldig onderhouden snij-onderdelen met scherpe snijkanten klemmen minder snel vast en zijn gemakkelijker te bedienen.
- **Gebruik het elektrisch gereedschap, accessoires, inzetgereedschap, etc. in overeenstemming met deze instructies en houd hierbij met de werkomstandigheden en de uit te voeren werkzaamheden.** Het gebruik van elektrische gereedschap voor andere dan de voorziene toepassingen kan tot gevaarlijke situaties leiden.
- **Houd de handvatten en greepvlakken droog, schoon en vrij van olie en smeervet.** Glibberige handvatten en greepvlakken maken een veilige omgang en de controle over het elektrisch gereedschap in onverwachte situaties onmogelijk.

ACCUGEREEDSCHAP GEBRUIKEN EN ONDERHOUDEN

- **Laad alleen op met de lader die door de fabrikant is gespecificeerd.** Een lader die geschikt is voor één type van accupack kan tot brandgevaar leiden wanneer gebruikt met een andere accupack.
- **Gebruik elektrisch gereedschap alleen met het specifiek aangegeven accupack.** Het gebruik van andere accupacks kan risico op letsel en brandgevaar veroorzaken.
- **Wanneer u het accupack niet gebruikt, houd het uit de buurt van andere metalen voorwerpen zoals paperclips, muntstukken, sleutels, spijkers, schroeven of andere kleine metalen voorwerpen die de twee aansluitklemmen kunnen verbinden.** Het kortsluiten van de aansluitklemmen kan brandwonden of brand veroorzaken.
- **Bij verkeerd gebruik kan er vloeistof uit de accu worden gespoten; vermijd elk contact. Als aanraking met de vloeistof toevallig plaatsvindt, dient u het met water af te spoelen. Als de vloeistof in de ogen komt, raadpleeg onmiddellijk een arts.** Vloeistof dat uit de accu wordt gespoten kan irritaties of brandwonden veroorzaken.
- **Neem alle laad instructies in acht en laad het accupack of het gereedschap niet buiten het gespecificeerde temperatuurbereik in de handleiding op.** Het onjuist laden of bij een temperatuur buiten het temperatuurbereik kan de accu

beschadigen en er bestaat een gevaar op brand.

- **Gebruik een accupack of gereedschap dat is beschadigd of aangepast niet.** Beschadigde of aangepaste accu's kunnen resulteren in onvoorzien gedrag zoals brand, explosie of het risico op letsel.
- **Stel een accupack of gereedschap niet bloot aan vuur of excessieve temperaturen.** Blootstelling aan vuur of temperaturen boven 100°C kunnen leiden tot een explosie.

NL

REPARATIES

- **Laat uw elektrisch gereedschap repareren door een gekwalificeerde reparateur en alleen met identieke reserve-onderdelen.** Dit waarborgt de veiligheid van het handgereedschap.
- **Onderhoud een beschadigd accupack nooit.** Onderhoud van accupacks mag alleen worden uitgevoerd door de fabrikant of een geautoriseerde dienstverlener.

VEILIGHEIDSWAARSCHUWINGEN VOOR HEGGENSCHAREN

- **Houd alle lichaamsdelen uit de buurt van het zaagblad. Verwijder geen snoeimateriaal of houd het te snoeien materiaal niet vast wanneer de zaagbladen in beweging zijn. Zorg dat het apparaat is uitgeschakeld wanneer u vastgelopen materiaal verwijdert.** Een moment van onoplettendheid tijdens de werking van de heggenschaar kan leiden tot ernstig persoonlijk letsel.
- **Draag de heggenschaar bij het handvat met een niet werkend zaagblad.** Plaats altijd het zaagbladhoes wanneer u de heggenschaar transporteert of opbergt. Een juiste hantering van de heggenschaar beperkt de kans op persoonlijk letsel dat door de zaagbladen wordt veroorzaakt.
- **Houd het elektrisch gereedschap alleen bij de geïsoleerde handgrepen vast, het zaagblad kan in aanraking komen met verborgen bedrading.** Zaagbladen die met een draad onder stroom in aanraking komen kunnen de blootgestelde metalen onderdelen van het handgereedschap onder stroom plaatsen en de gebruiker een elektrische schok geven.
- **Houd de kabel van de accu uit de buurt van het snijoppervlak.** Tijdens de werking kan het snoer verborgen zijn in de heesters en kan deze toevallig worden doorsneden.
- Controleer de haag op vreemde voorwerpen voor gebruik, zoals draadafrastering.
- Gebruik de heggenschaar alleen met een juist gemonteerd scherm. De heggenschaar gebruiken zonder juist gemonteerd scherm kan ernstig persoonlijk letsel veroorzaken.
- **Gebruik de heggenschaar met beide handen. Het gereedschap met één hand gebruiken kan tot controleverlies leiden en ernstig persoonlijk letsel veroorzaken.**

BELANGRIJKE VEILIGHEIDSIINSTRUCTIES

- Laak het accupack niet op als het regent of in een natte omgeving.
- Haal het accupack uit het apparaat alvorens het apparaat af te danken.
- Neem de blootgestelde zaagbladen of -randen niet vast wanneer u de heggenschaar opneemt of vasthoudt.
- Gebruik het apparaat niet op een ladder, dak, in een boom of andere onstabiele delen. Een stabiele houding op een stevig oppervlak zorgt voor een betere controle over de heggenschaar tijdens onvoorziene situaties.
- Kinderen mogen de heggenschaar nooit gebruiken.
- Verwijder of pas de veiligheidsvoorzieningen nooit aan. Controleer regelmatig of het gereedschap juist werkt. Doe nooit iets dat de juiste werking van de veiligheidsvoorziening kan hinderen of dat de bescherming die de veiligheidsvoorziening biedt beperkt.
- Controleer regelmatig of het zaagblad en de motormontagebouten stevig zijn vastgedraaid. Inspecteer het zaagblad tevens regelmatig op schade (bijv. gebogen, gebarsten of versleten). Vervang het blad alleen door een blad van EGO™.
- Vervang het zaagblad als het gebogen of gebarsten is. Een onevenwichtig zaagblad kan trilling veroorzaken wat tot schade aan de motoraandrijving kan leiden.
- Als het gereedschap abnormaal trilt, stop de motor en zoek onmiddellijk naar de
- Gebruik de heggenschaar alleen voor het snijden van stammen minder dan 33 mm dik.
- Reinig het gereedschap niet met een slang. Zorg dat de motor of elektrische componenten niet met water in aanraking komen.
- Volg de instructies over smering en het vervangen van accessoires.
- Houd de handvatten droog, schoon en vrij van olie en smeervet.
- Bewaar deze handleiding. Raadpleeg de gebruikershandleiding indien nodig en gebruik deze om andere personen die dit apparaat zullen gebruiken te onderrichten. Als u dit apparaat aan iemand anders geeft, geef hem/haar dan in ieder geval ook de

gebruikershandleiding mee om verkeerd gebruik en/of mogelijk letsel te voorkomen.

BEWAAR DEZE GEBRUIKSAANWIJZING!

SPECIFICATIES

Spanning	56 V ---	56 V ---
Snelheid van het mes	1800 /min	1800 /min
Snijlengte	65 cm	75 cm
Snijvermogen	31 mm	31 mm
Gewicht van het gereedschap	4,1 kg	4,2 kg
Aanbevolen werkingstemperatuur	0°C-40°C	0°C-40°C
Aanbevolen opslagtemperatuur	-20°C-70°C	-20°C-70°C
Gemeten geluidsvermogensniveau L_{WA}	90,1 dB(A) K=2,9 dB(A)	95,4 dB(A) K=1,52 dB(A)
Geluidsdruk niveau aan oor van bediener L_{PA}	80,1 dB(A) K=3 dB(A)	83,9 dB(A) K=2,5 dB(A)
Gegarandeerd geluidsvermogensniveau L_{WA} (gemeten volgens 2000/14/EG)	93 dB(A)	97 dB(A)
Vibratie a_h	Achterste handvat	3,2 m/s ² K=1,5 m/s ²
	Voorste handvat	3,9 m/s ² K=1,5 m/s ²

- De opgegeven totale vibratiewaarde is gemeten volgens de standaard testmethode en kan worden gebruikt om het apparaat met een ander apparaat te vergelijken;
- De opgegeven totale vibratiewaarde kan ook worden gebruikt in een voorafgaande beoordeling op blootstelling.

MEDEDELING: De vibratie-afgijftijd tijdens het werkelijk gebruik van het elektrisch gereedschap kan verschillen van de opgegeven totale waarde; Om de bediener te beschermen dient de gebruiker tijdens het gebruik handschoenen en gehoorbescherming te dragen.

INHOUD VAN DE VERPAKKING

NAAM ONDERDEEL	AANTAL
Accuheggenchaar	1
Zaagbladbeschermer	1
Gebruikershandleiding	1

BESCHRIJVING

KEN UW HEGGENSCHAAR (AFB. A)

1. Puntbeschermer
2. Blad
3. Zaagbladbeschermer
4. Voorste schakelaar
5. Voorste handvat
6. Vergrendelingsknop
7. Achterste schakelaar
8. Achterste handvat
9. "U"-haak
10. Aansluiting
11. Handscherm
12. Beschermkap

⚠ WAARSCHUWING: Dit product werd reeds volledig gemonteerd verzonden. Haal het handscherm tijdens gebruik nooit af. Eenmaal beschadigd, laat het onmiddellijk door een vakbekwame reparateur vervangen.

⚠ WAARSCHUWING: Om dit product op een veilige manier te gebruiken, moet men zowel de informatie vermeld op het gereedschap en in deze gebruikershandleiding goed begrijpen als een goede kennis hebben van de taak die men wilt uitvoeren. Voordat u dit product gebruikt, maak uzelf vertrouwd met alle gebruiksfuncties en veiligheidsvoorschriften.

WERKING

⚠ WAARSCHUWING: Vertrouwdheid kan leiden tot onvoorzichtigheid. Opgelet, één seconde van onvoorzichtigheid kan ernstig letsel teweegbrengen.

⚠ WAARSCHUWING: Draag altijd oogbescherming met zijschermen en gehoorbescherming. Het niet dragen van deze beschermingsuitrusting kan ertoe leiden dat voorwerpen in uw ogen terecht komen of kan een ander ernstig letsel veroorzaken.

NL

⚠ WAARSCHUWING: Om het per ongeluk starten van het gereedschap, wat persoonlijk letsel kan veroorzaken, te voorkomen, dient u altijd het accupack uit het gereedschap te halen als u onderdelen monteert, instellingen uitvoert, het reinigt of als het niet in gebruik is.

⚠ WAARSCHUWING: Gebruik geen opzetstukken of toebehoren die niet door EGO™ zijn aanbevolen. Het gebruik van niet aanbevolen opzetstukken of toebehoren kan leiden tot ernstig persoonlijk letsel.

NL

Voor elk gebruik, controleer het volledig product op beschadigde, ontbrekende of losse onderdelen, zoals schroeven, moeren, bouten, etc. Maak alle bevestigingen en doppen stevig vast en gebruik dit product pas opnieuw eenmaal alle ontbrekende of beschadigde onderdelen zijn geplaatst.

Het product kan in de regen worden gebruikt.

INSTALLEREN/VERWIJDEREN VAN HET ACCUPACK

Gebruik alleen met in afb. A vermelde accupacks en opladers.

Voor de eerste ingebruikname opladen.

Installeren (afb. B & C & D)

Met het uitgljinde ▲ logo respectievelijk op de stekker en de heggenschaar, steekt u de stekker in de heggenschaar totdat de groene verzegeling compleet is verdwenen in de aansluiting.

Bevestig de kabel van de accu in de "U"-haak.

Verwijderen (afb. E)

Verwijder de kabel van de accu uit de "U"-haak en trek de stekker uit de heggenschaar.

DE HEGGENSCHAAR STARTEN/STOPPEN

Voor het gebruik dient u de afscherming te verwijderen en de trimmer met beide handen vast te houden, één hand aan het achterste handvat en één aan het voorste handvat. Let vervolgens op een goede stand, correcte lichaamshouding en een goede snij-afstand.

⚠ WAARSCHUWING: Houd altijd beide handen op de handvatten. Houd nooit struiken met uw ene hand vast terwijl u de heggenschaar met uw andere hand bedient. Het negeren van deze waarschuwing kan leiden tot ernstig letsel.

⚠ WAARSCHUWING: Als u de heggenschaar stopt, dient u de vergrendelingsknop op "OFF" te zetten alvorens het accupack te verwijderen. Het negeren van deze waarschuwing kan ernstig letsel veroorzaken.

Starten

Druk de vergrendelingsknop op "ON" (afb. F) en druk vervolgens op de achterste schakelaar. Terwijl de achterste schakelaar wordt gedrukt, drukt u de voorste schakelaar om te starten.

Afb. F beschrijving van de onderdelen zie beneden:

F-1	Vergrendelingsknop
F-2	Achterste schakelaar

Stoppen

Laat een van de schakelaars los om hem te stoppen en zet de vergrendelingsknop op "OFF" om een onbedoeld starten te voorkomen.

OPMERKING: Beide schakelaars moeten worden ingedrukt om de heggenschaar te starten.

DE HEGGENSCHAAR VASTHOUDEN

Met het blad weg van u houdt u de trimmer met twee handen vast, waarbij u het voorste en achterste handvat vast houdt. Drie richtingen voor het vasthouden biedt de mogelijkheid van drie verschillende zaagrichtingen (afb. G & H & I).

DE HEGGENSCHAAR GEBRUIKEN

⚠ WAARSCHUWING: Als het zaagblad in een elektrische kabel of leiding vast komt te zitten, **RAAK HET ZAAGBLAD NIET AAN! DEZE KAN ONDER STROOM STAAN EN GEVAAR OPLEVEREN.** Blijf de heggenschaar bij het geïsoleerd achterste handvat vasthouden of leg het neer en uit uw buurt op een veilige manier. Ontkoppel de stroomtoevoer naar de beschadigde leiding of kabel voordat u probeert om het zaagblad van de leiding of kabel los te maken. Het negeren van deze waarschuwing kan leiden tot ernstig letsel of de dood.

⚠ WAARSCHUWING: Om ernstig persoonlijk letsel te voorkomen, houd uw handen uit de buurt van de zaagbladen. Verwijder geen snoeimateriaal of houd het te snoeien materiaal niet vast wanneer de zaagbladen in beweging zijn. Zorg dat de zaagbladen tot een volledig stilstand zijn gekomen en het accupack is verwijderd voordat u vastzittend materiaal uit de zaagbladen haalt. Neem de blootgestelde zaagbladen of -randen niet vast wanneer u het gereedschap opneemt of vasthoudt.

⚠ WAARSCHUWING: Voor gebruik, verwijder alle mogelijke obstakels uit de te maaien zone. Verwijder alle voorwerpen, zoals kabels, verlichting, draad of koord. Deze kunnen in het zaagblad vast komen te zitten en een risico op persoonlijk letsel veroorzaken.

⚠ WAARSCHUWING: Voorkom dat u te veel in één keer snijdt of door te dikke takken snijdt. De zaagbladen kunnen vastklemmen en vertragen wat voor lagere snoeiresultaten zorgt.

OPMERKING: Voor nieuwe groei is een brede, zwaaiende beweging voldoende om de stammen rechtstreeks in het zaagblad terecht te laten komen. Voor oudere groei is een zaagbeweging goed voor het trimmen van dikkere stammen. Een stroomloze zaag of snoeizaag is aan te raden voor het zagen van dikke stammen.

De bovenkant snoeien

Gebruik een brede, zwaaiende beweging. Een lichtjes neerwaartse schuine stand van de zaagbladen in de bewegingsrichting zorgt voor de beste snoeiresultaten. Voor een beter zaageffect kunt u ook een koord gebruiken om het niveau van de heg te begeleiden zoals weergegeven in afb. J.

De zijkant snoeien

Voor het snoeien van de zijkant van de haag, start onderaan en snoei omhoog zoals weergegeven in afb. K.

Puntbeschermer

De puntbeschermer (Fig. L) wordt gebruikt om het uiteinde van het zaagblad te beschermen.

Zaagbladbeschermer

Het buitenste deel van de zaagbladen heeft de vorm van een zaagbladbeschermer (Fig. M).

Afb. M beschrijving van de onderdelen zie beneden:

M-1	Zaagblad
M-2	Zaagbladbeschermer

⚠ WAARSCHUWING: Controleer altijd of de zaagbladbeschermer niet beschadigd of vervormd is. Vervang het als het gebogen of beschadigd is.

ONDERHOUD

⚠ WAARSCHUWING: Bij reparatie, gebruik uitsluitend identieke reserve-onderdelen. Het gebruik van andere onderdelen kan gevaar opleveren of schade aan het product veroorzaken. Laat alle reparaties uitvoeren door een vakbekwame reparateur om een continue veiligheid en betrouwbaarheid te waarborgen.

⚠ WAARSCHUWING: Om ernstig persoonlijk letsel te voorkomen dient u het accupack voor de reiniging of het onderhoud altijd uit het product te halen.

REINIGING

- Verwijder alle vuil van de luchtinlaten en het zaagblad met behulp van een zachte borstel.
- Om pek en andere kleefresten te verwijderen, besprenkel de zaagbladen met harsoplosmiddel. Draai de motor kortstondig zodat het oplosmiddel gelijkmatig wordt verdeeld.
- Maak het oppervlak schoon met een droge doek.

⚠ WAARSCHUWING: Maak de kunststof onderdelen niet schoon met oplosmiddelen. De meeste kunststoffen kunnen door verschillende soorten van commercieel beschikbare oplosmiddelen schade oplopen. Gebruik een schone doek voor het verwijderen van vuil, stof, olie, smeer, etc.

HET ZAAGBLAD SLIJPEN

1. Verwijder het accupack van uw heggenschaar.
2. AHB6500S/AHB7500S: klem het gemonteerde blad in een bankschroef en vijl de blootgestelde snijvlakken van elke tand van het blad. Verwijder zo min mogelijk materiaal. AHB6500/AHB7500 (met "G" en "GEHARD" op het oppervlak van het blad): klem het gemonteerde blad in een bankschroef en vijl de blootgestelde snijvlakken met een diamantvijl of een slijpmachine met een laag toerental (toerental <2500 min⁻¹, voedingssnelheid <60mm/min, aantal mazen >100). Verwijder zo min mogelijk materiaal.
3. Verwijder de heggenschaar uit de bankschroef en pas het botte gedeelte aan de andere kant aan.

Herhaal de bovenstaande procedures totdat alle tanden scherp zijn.

OPMERKING: Gebruik uw heggenschaar niet wanneer de zaagbladen bot of beschadigd zijn. Dit kan tot overbelasting leiden en geeft een niet tevredenstellend snijresultaat.

OPMERKING: Een normale metalen vijl is niet geschikt voor het slijpen van het speciale blad van de AHB6500/AHB7500.

OPMERKING: Bij het gebruik van een slijper met lage snelheid (rotatiesnelheid <2500 min⁻¹) voor het slijpen van het blad, dient u tijdens het slijpen van de tanden voortdurend te koelen met water.

SMEREN VAN DE HEGGENSCHAAR

⚠ WAARSCHUWING: Smeer niet terwijl de heggenschaar nog steeds is aangesloten op de accu of is ingeschakeld.

Het blad smeren

Voor de beste werking en een langere levensduur van het zaagblad, smeert u het zaagblad met hoogwaardige machine-olie voor en na elk gebruik.

Verwijder het accupack en plaats de trimmer op een vlakke ondergrond. Breng de olie langs de bovenste rand van het blad aan (afb. N).

Smeren van de kettingkast

Voor de beste werking en een langere levensduur smeert u de kettingkast van de heggenschaar met een speciaal vet (iedere keer ongeveer 5-6g in #1 en 10-12g in #2) na elke 50 bedrijfsuren.

Het speciale vet dient te voldoen aan de volgende eisen.

1. Behorend bij DIN51818: NLGI-2 kegel penetratiegraad.
2. Samengesteld uit polyurea verdickers + synthetische smeerolie
3. Excellente start bij lage temperatuur, EP, mechanisch knippen, slijtweerstand en oxidatieve stabiliteitseigenschappen.
4. Gebruikstemperatuur dient tussen -40~180 °C te liggen.

Verwijder de accustekker en de twee afdichtingsschroeven (afb. O). Smeer de kettingkast door het oliegat.

OPMERKING: vul de kettingkast niet helemaal met vet.

TRANSPORT EN OPSLAG

- Plaats de afscherming altijd op het zaagblad voordat u de heggenschaar opbergt of transporteert. Let op voor de scherpe tanden van het zaagblad.
- Maak de heggenschaar grondig schoon voordat u deze opbergt.
- Berg de heggenschaar binnenshuis op in een droge ruimte die voor kinderen ontoegankelijk is.
- Houd uit de buurt van corrosieve middelen, zoals tuinchemicaliën en strooizout.

⚠ WAARSCHUWING: De zaagbladen zijn scherp, Wanneer u het zaagbladgedeelte aanraakt, draag slipvaste en stevige werkhandschoenen. Steek uw hand of vingers niet tussen de zaagbladen of in een positie waar deze letsel kunnen oplopen of geklemd kunnen raken. Raak de zaagbladen NOOIT aan en voer geen onderhoud op het gereedschap uit wanneer het accupack geïnstalleerd is.

Het milieu beschermen



Gooi geen elektrische apparatuur, gebruikte batterijen en laders weg via het huishoudelijk afval! Geef dit product af bij een geautoriseerd recyclingbedrijf en zorg dat het apart kan worden ingezameld.

Elektrisch gereedschap moet worden afgegeven voor een milieuvriendelijke

PROBLEEMOPLOSSING

PROBLEEM	OORZAAK	OPLOSSING
De heggenschaar werkt niet.	<ul style="list-style-type: none"> Het accupack is niet bevestigd aan de heggenschaar of er bestaat geen elektrisch contact tussen heggenschaar en accu. 	<ul style="list-style-type: none"> Plaats het accupack opnieuw op de heggenschaar.
	<ul style="list-style-type: none"> Het accupack is uitgeput. 	<ul style="list-style-type: none"> Laad het accupack met de aangegeven lader op.
	<ul style="list-style-type: none"> De vergrendelingsknop is niet op "ON" gezet voordat u de schakelaars drukt. 	<ul style="list-style-type: none"> Voordat u de heggenschaar gebruikt, dient u te controleren dat de vergrendelingsknop is ontkoppeld.
	<ul style="list-style-type: none"> Het accupack of de heggenschaar is te heet. 	<ul style="list-style-type: none"> Laat het accupack van de heggenschaar afkoelen totdat de temperatuur weer rond de normale temperatuur ligt.
	<ul style="list-style-type: none"> Het zaagblad zit vast. 	<ul style="list-style-type: none"> Haal het accupack uit het gereedschap. Verwijder voorzichtig de blokkering en plaats de accu weer terug om het gereedschap weer te starten.
	<ul style="list-style-type: none"> De heggenschaar is overbelast. 	<ul style="list-style-type: none"> Reduceer de belasting van de machine.
Overmatige trilling of geluid.	<ul style="list-style-type: none"> Droge of verroeste zaagbladen. 	<ul style="list-style-type: none"> De bladen smeren.
	<ul style="list-style-type: none"> Zaagbladen of zaagbladhouder is gebogen. 	<ul style="list-style-type: none"> Vervang door een nieuw zaagblad of de houder. Neem contact op met de EGO klantenservice voor vervangende bladen of ondersteuning.
	<ul style="list-style-type: none"> Gebogen of beschadigde tanden. 	<ul style="list-style-type: none"> Vervang door een nieuw blad. Neem contact op met de EGO klantenservice voor vervangende bladen.
	<ul style="list-style-type: none"> Losse zaagbladbouten. 	<ul style="list-style-type: none"> Draai de zaagbladbouten vast. Draai de bouten met de klok mee vast met behulp van een moersleutel.

NL

GARANTIE

EGO GARANTIEVOORWAARDEN

Bezoek onze website egopowerplus.eu voor alle voorwaarden van de EGO garantie.

LÆS ALLE ANVISNINGER!



LÆS BRUGERVEJLEDNINGEN

⚠ ADVARSEL: For at sikre sikkerhed og pålidelighed, bør alle reparationer og udskiftninger udføres af en kvalificeret servicetekniker.

DK

SIKKERHEDSSYMBOLER

Formålet med sikkerhedssymboler er at gøre dig opmærksom på mulige farer. Du bør være meget opmærksom på sikkerhedssymbolerne og forklaringer til dem og lære at forstå dem. Symboladvarsel fjerner ikke i sig selv eventuelle farer.

Anvisningerne og advarselerne er ingen erstatning for korrekte forebyggelsesforanstaltninger mod ulykker.

⚠ ADVARSEL: Sørg for at læse og forstå alle sikkerhedsanvisninger i denne brugsanvisning, inklusive alle sikkerhedssymboler, såsom **“FARE”**, **“ADVARSEL”** og **“FORSIGTIG”**, før du bruger dette værktøj. Hvis man ikke følger nedenstående anvisninger, kan det medføre elektrisk stød, brand og/eller alvorlig personskade.

SYMBOLBETYDNING

SYMBOL FOR SIKKERHEDSVARSEL: Angiver **FARE**, **ADVARSEL** eller **FORSIGTIG**. Kan anvendes i kombination med andre symboler eller piktogrammer.

⚠ ADVARSEL: Brugen af et elværktøj kan resultere i, at du får fremmedlegemer i øjnene, hvilket kan give alvorlige øjenskader. Inden du begynder at bruge et elværktøj, skal du altid bære beskyttelsesbriller eller sikkerhedsbriller med sidebeskyttelse og om nødvendigt en fuld ansigtsmaske. Vi anbefaler en maske med bredt udsyn til brug over briller eller standard sikkerhedsbriller med sidebeskyttelse.

SIKKERHEDSANVISNINGER

Denne side viser og beskriver sikkerhedssymboler, der kan forekomme på dette produkt. Læs, forstå, og følg alle anvisninger på apparatet, før du forsøger at samle og betjene det.

	Sikkerhedsvarsel	Angiver en potentiel fare for personskade.
	Læs brugsanvisningen	For at mindske risikoen for skader, skal brugeren læse betjeningsvejledningen.
	Hold hænder og fødder borte fra klippe-værktøjet	Forsøg aldrig at betjene dit elværktøj med én hånd. Hvis du mister kontrollen over elværktøjet, kan det forårsage alvorlig personskade eller dødsfald. For at reducere risikoen for at skære sig holdes hænder og fødder væk fra klippeværktøjet. Rør aldrig et arbejdende klippeværktøj med hånden eller nogen anden del af kroppen.
	Bær beskyttelsesbriller	Bær altid beskyttelsesbriller eller sikkerhedsbriller med sidebeskyttelse og om nødvendigt en fuld ansigtsmaske.
	Støj	Garanteret lydniveau. Støjemission til miljøet opfylder EF-direktivet.
	CE	Dette produkt er i overensstemmelse med gældende EU-direktiver.
	UKCA	Dette produkt overholder gældende britisk lovgivning.
	WEEE	Affald fra elektriske produkter bør ikke bortskaffes sammen med husholdningsaffald. Bring det til en godkendt genbrugsplads.
	Knivens længde	Længden af kniven
	Klippekapacitet	Knivens maks. klippekapacitet
	IP-symbol	Beskyttelse mod vandstråler
	Volt	Spænding

	Jævnstrøm	Type af eller egenskab for strøm
.../min	Pr. minut	Omdrejninger pr. minut
mm	millimeter	Længde eller størrelse
cm	Centimeter	Længde eller størrelse
n_0	Hastighed uden belastning	Rotationshastighed uden belastning

GENERELLE SIKKERHEDSADVARSLER OM ELEKTRISKE APPARATER

⚠ ADVARSEL: Læs alle sikkerhedsadvarsler, anvisninger, illustrationer og specifikationer, der følger med dette elværktøj. Hvis anvisningerne nedenfor ikke følges, kan det føre til elektrisk stød, brand og/eller alvorlig personskade.

Gem alle advarsler og anvisninger til fremtidig brug.

Udtrykket "elværktøj" i advarslerne refererer til dit lysnetdrevne (med ledning) elværktøj eller batteridrevne (ledningsfrie) elværktøj.

SIKKERHED I ARBEJDSOMRÅDET

- **Hold arbejdsområdet rent og godt oplyst** Rodede eller uoplyste arbejdsområder inviterer til ulykker.
- **Brug ikke elværktøj i eksplosive atmosfærer, såsom ved tilstedeværelse af brændbare væsker, gasser eller støv.** Elværktøj skaber gnister, der kan antænde støv eller dampe.
- **Hold børn og omkringstående på afstand, mens du betjener et elværktøj.** Forstyrrelser kan medføre, at du mister kontrollen.

ELEKTRISK SIKKERHED

- **Stik på elværktøj skal passe til stikkontakten. Lav aldrig om på stikket på nogen måde. Brug ikke adapterstik sammen med jordede (jordforbundne) elværktøj.** Uændrede stik, der passer til kontakterne, nedsætter risikoen for elektrisk stød.
- **Undgå kropskontakt med jordforbundne overflader, såsom rør, radiatorer, komfurer og køleskabe.** Der er en øget risiko for elektrisk stød, hvis din krop bliver jordforbundet.
- **Udsæt ikke elværktøj for regn eller våde forhold.** Vand i et elværktøj øger risikoen for elektrisk stød.
- **Mishandl ikke ledningen fra batteripakken. Brug aldrig ledningen til at bære eller trække elværktøjet eller til at trække stikket ud af stikkontakten. Hold**

ledningen væk fra varme, olie, skarpe kanter og bevægelige dele. Beskadede eller sammenfildrede ledninger øger risikoen for elektrisk stød.

- **Når et elværktøj benyttes udendørs, skal der bruges en forlængerledning til udendørs brug.** Brug af en forlængerledning til udendørs brug nedsætter risikoen for elektrisk stød.
- **Hvis det ikke kan undgås at benytte apparatet i fugtige omgivelser, så brug et stik med fejlstrømsrelæ.** Anvendelse af et fejlstrømsrelæ mindsker risikoen for elektrisk stød.

PERSONLIG SIKKERHED

- **Vær opmærksom, se, hvad du laver, og brug sund fornuft, når du benytter et elværktøj. Brug ikke apparatet, hvis du er træt eller er påvirket af narkotika, alkohol eller medicin.** Et øjeblik uopmærksomhed ved brug af maskinen kan føre til alvorlige personskader.
- **Brug personlige værnemidler. Bær altid beskyttelsesbriller.** Værnemidler, såsom støvmaske, skridsikre sikkerhedssko, hjelm eller høreværn, der anvendes under passende betingelser, nedsætter risikoen for personskade.
- **Forebyg utilsigtet start. Sørg for kontakten er i slukket position, før værktøjet tilsluttes til strømkilde og/eller batteripakke, samles op eller bæres.** Hvis du bærer elværktøj med fingeren på kontakten eller sætter strøm til elværktøj, der har kontakten tændt, beder du om ulykker.
- **Fjern indstillingsværktøj eller skruenøgler, før elværktøjet startes.** En skruenøgle eller andet værktøj, der sidder i en roterende del af elværktøjet, kan give personskade.
- **Læn dig ikke for langt forover. Stå ordentlig fast og vær hele tiden i balance.** Dette giver bedre kontrol over elværktøjet i uventede situationer.
- **Brug det rigtige tøj. Bær ikke løst tøj eller smykker. Hold hår og tøj fra bevægelige dele.** Løstsiddende tøj, smykker eller langt hår, kan blive fanget i bevægelige dele.
- **Hvis der monteres tilbehør til opsamling af støv eller andet, skal det sikres, at disse monteres og bruges korrekt.** Anvendelse af anordninger til støvopsamling kan mindske støvrelaterede risici.
- **Lad ikke kendskab opnået ved hyppig brug af værktøjer gøre dig overmodig og glemme sikkerhedsprincipper.** En uagtsom handling kan forårsage alvorlig skade i en brøkdal af et sekund.

BRUG OG PLEJE AF ELVÆRKTØJ

- **Elværktøjet må ikke tvinges under brug.** Brug det rigtige elværktøj til formålet. Det korrekte elværktøj gør arbejdet bedre og mere sikkert, da det er beregnet til formålet.
- **Brug ikke elværktøjet, hvis kontakten ikke kan tænde og slukke.** Alt elværktøj, hvor kontakterne ikke dur, er farligt og skal repareres.
- **Træk stikket til apparatets strømforsyning ud af stikkontakten og/eller fjern batteripakken, hvis det kan tages af, inden du foretager justering, skifter tilbehør eller lægger elværktøjet til opbevaring.** Sådanne forebyggende sikkerhedsforanstaltninger mindsker risikoen for at starte elværktøjet utilsigtet.
- **Opbevar ubenyttet elværktøj utilgængeligt for børn, og tillad ikke personer, der ikke kender elværktøjet eller disse anvisninger at betjene elværktøjet.** Elværktøj er farligt i hænderne på utrænede brugere.
- **Vedligehold elværktøj og tilbehør. Kontrollér, at de bevægelige dele ikke er fejljusterede eller binder eller er i en tilstand, der kan påvirke elværktøjets drift.** Hvis elværktøjet beskadiges, skal det repareres før brug. Mange ulykker skyldes dårligt vedligeholdt elværktøj.
- **Hold skærende værktøj skarpt og rent.** Omhyggeligt vedligeholdt skæreværktøjer med skarpe skærekanter er mindre tilbøjelige til at binde og er lettere at styre;
- **Brug elværktøj, tilbehør og bits osv. i overensstemmelse med disse anvisninger, under hensyntagen til arbejdsforholdene og det arbejde, der skal udføres.** Anvendelse af elværktøj til andre formål end dem, de er beregnet til, kan medføre en farlig situation.
- **Hold håndtag og gribeblader tørre, rene og fri for olie og fedt.** Glatte håndtag og gribeblader er ikke sikre, når værktøjet skal håndteres og styres i uventede situationer.

BATTERIVÆRKTØJETS BRUG OG PLEJE

- **Genoplad kun med den oplader, der er angivet af fabrikanten.** En oplader, der er velegnet til én type batteripakke, kan øge risikoen for brand, når den bruges med en anden batteripakke.
- **Anvend kun elværktøj med specifikt anviste batteripakker.** Brug af andre batteripakker kan skabe risiko for personskade og brand.
- **Når batteripakken ikke er i brug, skal den holdes væk fra andre metalgenstande som papirclips, mønter, nøgler, søm, skruer eller andre små metalgenstande, der kan skabe forbindelse fra en pol til en anden.** Kortslutning af batteripolerne kan forårsage forbrændinger eller brand.
- **Ved forkert anvendelse kan der slippe væske ud af batteriet; undgå kontakt.** Kommer man uheldigvis i kontakt med væsken: Skyl med vand. Hvis væsken kommer i øjnene, skal man også søge læge. Væskesprøjt fra batteriet kan forårsage irritation eller forbrændinger.
- **Følg alle anvisninger vedrørende opladning, og oplad ikke batteriet eller værktøjet uden for temperaturområdet angivet i anvisningerne.** Forkert opladning eller temperaturer uden for det angivne område kan beskadige batteriet og øge risikoen for brand.
- **Anvend ikke en batteripakke eller et værktøj, der er beskadiget eller modificeret.** Beskadigede eller modificerede batterier kan opføre sig uforudsigeligt og forårsage brand, eksplosion eller risiko for personskade.
- **Udsæt ikke en batteripakke eller et værktøj for ild eller for høj temperatur.** Udsættelse for ild eller temperaturer over 100 °C kan forårsage eksplosion.

SERVICE

- **Få dit elværktøj serviceret af en kvalificeret tekniker, og brug kun originale reservedele.** Dette vil sikre, at elværktøjet fortsat er sikkert.
- **Udfør aldrig selv service på en beskadiget batteripakke.** Service på batteripakker bør kun udføres af producenten eller godkendte servicecentre.

SIKKERHEDSADVARSLER for HÆKKEKLIPPER

- **Hold alle dele af kroppen væk fra knivene. Fjern ikke afklippet materiale, når knivene bevæger sig; klip heller ikke i materiale, der holdes i hånden.** Sørg for, at kontakten er slukket, når fastsiddende materiale skal fjernes. Et øjeblikvis uopmærksomhed ved brug af hækkeklipperen kan medføre alvorlig personskade.
- **Bær hækkeklipperen i håndtaget med sværdet stoppet.** Ved transport eller opbevaring af hækkeklipperen sættes beskyttelseshylsteret altid på. Korrekt håndtering af hækkeklipperen vil mindske mulig personskade fra knivene.
- **Hold kun fast på elværktøjets isolerede gribehåndtag, da kniven kan berøre skjulte ledninger.** Knive, der kommer i kontakt med en strømførende ledning kan gøre metaldele på elværktøjet strømførende og give operatøren elektrisk stød.
- **Hold batteriledningen væk fra klippeområdet.** Under klipningen kan kablet ligge skjult i buskadsset og kan utilsigtet blive ramt af sværdet.
- **Undersøg hækken for fremmedlegemer før betjening,**

f.eks trådhegn.

- Brug kun hækkeklipperen med afskærmningen korrekt monteret. Brugen af hækkeklipperen uden den rette afskærmning kan resultere i alvorlige personskader!
- **Brug begge hænder, når du betjener hækkeklipperen. Ved kun at bruge én hånd, kan miste kontrollen og forårsage alvorlig personskade.**

VIGTIGE SIKKERHEDSANVISNINGER

- Oplad ikke batteripakken i regn eller i våde omgivelser.
- Batteripakken skal fjernes fra apparatet, før det kasseres.
- Grib ikke om de fritliggende knive eller skær, når hækkeklipperen samles op eller holdes.
- Må ikke anvendes på stiger, tage, træer eller andet ustabilt underlag. Stabilit fodfæste på en fast overflade giver bedre kontrol over hækkeklipperen i uventede situationer.
- Lad aldrig børn betjene hækkeklipperen.
- Sikkerhedsanordninger må aldrig fjernes eller pilles ved. Undersøg regelmæssigt, om de fungerer korrekt. Gør aldrig noget for at gribe ind den tilsigtede funktion af en sikkerhedsanordning eller reducere den beskyttelse, som en sikkerhedsanordning giver.
- Undersøg med hyppige mellemrum, at sværdets og motorens montagebolte er korrekt strammet til. Efterse også visuelt kniven for skader (f.eks bøjet, revnet og slidt). Udskift kun kniven med en kniv fra EGO™.
- Udskift kniven hvis den er bøjet eller revnet. En ubalanceret kniv giver vibrationer, der kan beskadige motoren eller forårsage personskade.
- Hvis udstyret skulle begynde at vibrere unormalt, stoppes motoren, og årsagen undersøges straks.
- Hækkeklipperen kan anvendes til at skære grene mindre end (33 mm) tykke.
- Må ikke vaskes med en slange; undgå at få vand i motor og elektriske forbindelser.
- Følg anvisningerne for smøring og udskiftning af tilbehør.
- Hold håndtagene tørre, rene og fri for olie og fedt.
- Gem disse anvisninger. Brug dem ofte, og brug dem til at instruere andre, der skal bruge dette værktøj. Hvis du låner nogen dette værktøj, så lad dem få anvisningerne med, så de også undgår fejlbrug af produktet og mulig personskade.

GEM DISSE ANVISNINGER!

SPECIFIKATIONER

Spænding	56 V ---	56 V ---	
Skærets hastighed	1800 /min	1800 /min	
Knivens længde	65 cm	75 cm	
Klippekapacitet	31 mm	31 mm	
Værktøjets vægt	4,1 kg	4,2 kg	
Anbefalet driftstemperatur	0°C-40°C	0°C-40°C	
Anbefalet opbevaringstemperatur	-20°C-70°C	-20°C-70°C	
Målt lyd effektniveau L_{WA}	90,1 dB(A) K=2,9 dB(A)	95,4 dB(A) K=1,52 dB(A)	
Lydtryk ved brugerens øre L_{PA}	80,1 dB(A) K=3 dB(A)	83,9 dB(A) K=2,5 dB(A)	
Garanteret lyd effektniveau L_{WA} (i henhold til direktiv 2000/14/EF)	93 dB(A)	97 dB(A)	
Vibration a_h	Bageste håndtag	3,2 m/s ² K=1,5 m/s ²	2,872 m/s ² K=1,5 m/s ²
	Forreste håndtag	3,9 m/s ² K=1,5 m/s ²	3,536 m/s ² K=1,5 m/s ²

- Den samlede værdi af angivne vibrationer er målt i overensstemmelse med en standardiseret prøvningsmetode og kan anvendes til at sammenligne et værktøj med et andet
- Den samlede angivne værdi for vibrationer kan også anvendes ved en foreløbig vurdering af eksponeringen.

BEMÆRK: Udsendelsen af vibrationer ved faktisk brug af elværktøjet kan afvige fra den angivne værdi, der hvor værktøjet anvendes. For at beskytte operatoren, bør vedkommende bære handsker og høreværn under de faktiske brugsbetingelser.

PAKKELISTE

Delens navn	Antal
Hækkeklipper	1
Afskærmning af knive	1
Brugsanvisning	1

BESKRIVELSE

KEND DIN HÆKKEKLIPPER (fig. A)

1. Beskytter til spidsen
2. Skær
3. Beskyttelsesskærm
4. Forreste betjeningsgreb
5. Forreste Håndtag
6. Låseknop
7. Bageste betjeningsgreb
8. Bageste håndtag
9. "U"-krog
10. Fatning
11. Håndbeskytter
12. Shield

DK

⚠ ADVARSEL: Dette produkt er afsendt fuldstændigt samlet. Håndbeskytteren må aldrig fjernes under brug. Hvis den beskadiges, skal den udskiftes af en kvalificeret servicetekniker.

⚠ ADVARSEL: Sikker brug af dette produkt kræver en forståelse af oplysningerne om værktøjet og i denne brugsanvisning samt kendskab til det arbejde, du vil udføre. Før brug af dette produkt skal du gøre dig fortrolig med alle funktioner og sikkerhedsregler.

BETJENING

⚠ ADVARSEL: Selvom du kender dette produkt, så bliv ikke skødesløs. Husk, at skødesløshed i en brøkdelt af et sekund kan forvolde betydelig personskade.

⚠ ADVARSEL: Bær altid sikkerhedsbriller med sidebeskyttelse samt høreværn. Uden disse kan man blive ramt af genstande, der kastes ind i øjnene eller forårsager andre alvorlige skader.

⚠ ADVARSEL: For at forebygge utilsigtet start, der kunne forårsage alvorlig personskade, skal man altid fjerne batteripakken fra produktet, når der monteres dele, foretages justeringer, rengøres, eller når den ikke bruges.

⚠ ADVARSEL: Brug ikke påmonteringer eller tilbehør, der ikke anbefales af EGO™. Brugen af påmonteringer eller tilbehør, der ikke anbefales, kan resultere i alvorlige personskader.

Før hver brug, efterses hele produktet for beskadigede, manglende eller løse dele, såsom skruer, møtrikker, bolte, hætter osv. Stram alle møtrikker og hætter helt til, og betjen ikke dette produkt, før alle manglende eller beskadigede dele er udskiftet.

Dette produkt kan bruges i regn.

INSTALLATION / FJERNELSE AF BATTERIPAKKE

Produktet må kun bruges med batteripakkerne og opladerne, der står på listen i fig. A

Oplad før første brug.

Installation (fig. B & C & D)

▲ logoet på henholdsvis stikket og hækkeklipperen, skal flugte med hinanden, hvorefter stikket kan sættes i hækkeklipperen, indtil det grønne segl forsvinder helt ind i fatningen.

Sæt batteriledningen ind i "U"-krogen.

Afmontering (fig. E)

Løsn batteriledningen fra "U"-krogen, og træk stikket ud af hækkeklipperen.

START / STOP AF HÆKKEKLIPPER

Før betjening fjernes hylsteret til skåret, og hækkeklipperen holdes med begge hænder: den ene hånd på det bageste håndtag og den anden på det forreste håndtag. Kontrollér så, at du er i balance, står oprejst og i korrekt klippeafstand.

⚠ ADVARSEL: Hold altid begge hænder på hækkeklipperens håndtag. Man må aldrig holde i grene med den ene hånd og betjene hækkeklipperen med den anden. Overholdes denne advarsel ikke, kan det medføre alvorlig personskade.

⚠ ADVARSEL: Når man stopper hækkeklipperen, sættes låseknappen i stillingen "OFF" (slukket), før batteripakken tages af. Overholdes denne advarsel ikke, kan det medføre alvorlig personskade.

Start

Skub låseknappen til stillingen "ON" (tændt) (fig. F), og tryk derefter på det bageste betjeningsgreb. Hold bageste betjeningsgreb trykket ind og fortsæt med at holde forreste betjeningsgreb trykket ind for at starte.

Beskrivelse af dele i fig. F, se nedenfor:

F-1	Låseknop
F-2	Bageste betjeningsgreb

Stop

Slip af de to betjeningsgreb for at stoppe og sæt låseknappen til stillingen "OFF" for at forhindre utilsigtet start.

BEMÆRK: Begge betjeningsgreb skal være trykket ned, for at hækkeklipperen kan starte.

SÅDAN HOLDES HÆKKEKLIPPEREN

Med skæret væk fra dig holdes hækkeklipperen med to hænder, med et greb i henholdsvis forreste og bageste håndtag. Hækkeklipperen kan holdes i tre forskellige stillinger under arbejdet (fig. G og H og I).

BRUG AF HÆKKEKLIPPEREN

⚠ ADVARSEL: Hvis skæret går i stå ved klip i en elledning: RØR IKKE VED SKÆRET! DET KAN BLIVE STRØMFØRENDE OG MEGET FARLIGT. Fortsæt med at holde i hækkeklipperens isolerede bageste håndtag eller læg den ned og væk fra dig på en sikker måde. Afbryd strømmen til det/den kabel/ledning, der er beskadiget, inden du forsøger at frigøre skæret fra kabel eller ledning. Efterkommes denne advarsel ikke, kan det medføre alvorlig personskade eller evt. døden.

⚠ ADVARSEL: For at undgå alvorlig personskade skal man holde hænderne væk fra knivene. Fjern ikke afklippet materiale, når knivene bevæger sig; klip heller ikke i materiale, der holdes i hånden. Sørg for, at knivene er gået helt i stå og batteripakken fjernet, før der fjernes fastklemt materiale fra knivene. Grib ikke om de fritliggende knive eller skær, når hækkeklipperen samles op eller holdes.

⚠ ADVARSEL: Ryd området, hvor der skal klippes, før hver brug. Fjern alle genstande, såsom ledninger, lamper, ståltråd eller snor, der kan blive viklet ind i kniven og skabe risiko for alvorlig personskade.

⚠ ADVARSEL: Undgå at klippe for meget på én gang eller gennem tæt buskads. Dette kan medføre, at knivene binder og går ned i hastighed og gør klipperen mindre effektiv.

BEMÆRK: Ved en ny hæk kan der klippes med en bred fejende bevægelse og lade grenene gå direkte ind i kniven. Ved ældre hække er en savende bevægelse velegnet til klipping af tykkere grene. Det foreslås først at bruge en håndsav eller grensav til at fjerne tykke grene med.

Klipning i toppen

Klip med en bred fejende bevægelse. En svag nedadgående hældning af knivene i bevægelsesretningen

giver den bedste klipping. Hvis klippingen skal være rigtig god, kan du også bruge en snor til at klippe efter. Se fig. J.

Klipning på siderne

Når hækens skal klippes, så begynd fra neden af, og klip opad. Se fig. H.

Beskytter til spidsen

Spidsskærm (fig. L) ruges til at beskytte spidsen af klingens.

Klingeskærm

Den ydre del af klingens er udformet som en klingeskærm (fig. M).

M-1	Klinge
M-2	Klingeskærm

⚠ ADVARSEL: Sørg altid for at klingeskærmen ikke er beskadiget eller skæv. Skift skærmen, hvis den er blevet beskadiget eller skæv.

VEDLIGEHOLDELSE

⚠ ADVARSEL: Ved service må der kun bruges originale reservedele. Brug af andre reservedele kan medføre fare eller forårsage skader på produktet. For at sikre sikkerhed og pålidelighed skal alle reparationer udføres af en kvalificeret servicetekniker.

⚠ ADVARSEL: For at undgå alvorlig personskade skal batteripakken altid fjernes fra produktet, når der skiftes tilbehør, under rengøring eller vedligeholdelse.

RENGØRING

- Brug en blød børste til at fjerne snavs fra alle luftindtag og kniv.
- Beg eller tjære og andre klæbrige stoffer fjernes ved at sprøjte kniv ene med opløsningsmiddel på grundlag af kunstharpiks. Lad motoren køre kortvarigt, så opløsningsmidlet fordeles jævnt.
- Tør eftermed en tør klud.

⚠ ADVARSEL: Undgå at bruge opløsningsmidler ved rengøring af plastdele. De fleste plastmaterialer risikerer at blive ødelagt ved brug af forskellige typer af alment tilgængelige opløsningsmidler. Brug rene klude til at fjerne snavs, støv, olie, fedt etc.

SÅDAN SLIBES SKÆREBLADET

1. Tag batteriet ud af din hækkeklipper.
2. AHB6500S/AHB7500S: Fastspænd klingen i et skruestik, og fil skæreoverflade på hver knivtand, der stikker ud. Fjern så lidt materiale, som muligt. AHB6500/AHB7500 (Med "☺" og "HÆRDET" på klingens overflade): Fastspænd klingen i et skruestik, og fil skæreoverflade på hver knivtand, der stikker ud med en diamantfil eller en lavhastighedsslibemaskine (omdrejningshastighed < 2500 min⁻¹, indføringshastighed < 60 mm/min, maskenummer > 100). Fjern så lidt materiale, som muligt.
3. Tag hækkeklipperen ud af skruestikket, og juster siden af bladet, der ikke er slebet på den anden side.

Gentag ovenstående procedurer, indtil alle knivtænderne er slebet.

BEMÆRK: Hækkeklipperen må ikke bruges med døde eller beskadigede blade. Dette kan forårsage overbelastning, og vil give utilfredsstillende klipperesultater.

BEMÆRK: Bladene på din AHB6500/AHB7500 må ikke slibes med en almindelig metalfil.

BEMÆRK: Hvis du bruger en lavhastighedsslibemaskine (omdrejningshastighed < 2500 min⁻¹) til, at slibe skærebladet, skal du løbende vende bladtænderne om under slibning.

SADAN SMORES HAKKEKLIPPEREN

⚠ ADVARSEL: Hakkeklipperen må ikke smores, når den stadig er forbundet med batteriet eller korer.

Sadan smores klingen

Klingen holder længere og virker bedre, når den smores med let maskinolie for og efter hvert brug.

Tag batteriet ud og lag hakkeklipperen på en plan overflade. Påfør olien langs kanten af den øverste klinge (fig. N).

Sadan smores gearkassen

Hearkassen holder længere og virker bedre, når den smores med en sarlig fedt (5-6g i #1 og 10-12 g i #2 hver gang) efter hver 50 timers drift.

Det sarlige fedt skal opfylde følgende krav.

1. Tilhører DIN51818: NLGI-2-kegepenetrationsgrad.
2. Består af polyureafortykningsmidler + syntetisk smoreolie
3. God opstart ved lave temperaturer, EP, mekanisk klipning, slidstark og oxidative stabilitetsegenskaber.

4. Driftstemperaturen skal være inden for -40 ~ 180°C. Fjern batteristikket og de to forseglende skruer (fig. O). Smoring af gearhuset gennem oliehuset.

BEMÆRK: Fyld ikke hele gearkassen op med fedt.

TRANSPORT OG OPBEVARING

- Anbring altid hylsteret på skæret før opbevaring eller transport af hækkeklipperen. Vær forsigtig, og undgå skærets skarpe tænder.
- Rengør hækkeklipperen grundigt før opbevaring.
- Opbevar hækkeklipperen indendørs på et tørt sted, der er utilgængeligt for børn.
- Holdes væk fra ætsende stoffer, såsom havekemikalier og vejsalt.

⚠ ADVARSEL: Knivene er skarpe. Ved håndtering af knivdelen bæres skridsikre og kraftige handsker. Placér ikke din hånd eller dine fingre mellem knivene eller andre steder, hvor de kunne blive klemt eller snittet. Rør ALDRIG knivene, og udfør heller ikke service på apparatet med batteripakken isat.

Beskyttelse af miljøet



Elektrisk udstyr, batterioplader og batterier må ikke smides ud sammen med almindelig husholdningsaffald! Tag dette produkt til en autoriseret genbrugsplads, og sørg for at det sendes til genbrug. Elektriske værktøjer skal bortskaffe på en genbrugsplads. menneskers sundhed og velfærd.

FEJLFINDING

PROBLEM	ÅRSAG	LØSNING
Hækkeklipperen virker ikke.	<ul style="list-style-type: none"> Batteripakken er ikke fastgjort til hækkeklipperen, eller der er ingen elektrisk kontakt mellem hækkeklipperen og batteriet. 	<ul style="list-style-type: none"> Sæt stikket til batteriet i hækkeklipperen igen.
	<ul style="list-style-type: none"> Batteripakken er afladet. 	<ul style="list-style-type: none"> Oplad batteriet med den anførte batterioplader.
	<ul style="list-style-type: none"> Låseknappen er ikke sat i stillingen "ON", før der trykkes på betjeningsgrebene. 	<ul style="list-style-type: none"> Før du bruger hækkeklipperen, skal du sikre dig, at låseknappen ikke er låst.
	<ul style="list-style-type: none"> Batteripakken eller hækkeklipperen er for varm. 	<ul style="list-style-type: none"> Lad batteripakke eller trimmer køle af, indtil temperaturen er faldet til normal temperatur.
	<ul style="list-style-type: none"> Kniven sidder fast. 	<ul style="list-style-type: none"> Fjern batteripakken fra værktøjet. Fjern forsigtigt fremmedlegemet, og sæt batteriet og genstart værktøjet.
	<ul style="list-style-type: none"> Hækkeklipperen er overbelastet. 	<ul style="list-style-type: none"> Mindsk belastningen af maskinen.
Kraftig vibration eller støj.	<ul style="list-style-type: none"> Tørre eller rustne knive. 	<ul style="list-style-type: none"> Smør skærene
	<ul style="list-style-type: none"> Knive eller skinne er bøjet. 	<ul style="list-style-type: none"> Udskift med et nyt skær eller skinne. Kontakt EGO's servicecenter for udskiftning af skær eller skinne.
	<ul style="list-style-type: none"> Bøjede eller beskadigede tænder. 	<ul style="list-style-type: none"> Udskift med et nyt skær. Kontakt EGO's servicecenter for udskiftning af skær.
	<ul style="list-style-type: none"> Løse knivbolte 	<ul style="list-style-type: none"> Spænd knivboltene. Med en skrueøgle drejes boltene med uret for at spænde.

DK

GARANTI

EGO's GARANTIPOLITIK

Besøg venligst hjemmesiden egopowerplus.eu for fuldstændige vilkår og betingelser for EGO's garantipolitik.

LÄS IGENOM ALLA INSTRUKTIONER!



LÄS IGENOM BRUKSANVISNINGEN

⚠ VARNING! Alla reparationer bör utföras av en kvalificerad servicetekniker för att upprätthålla produktens säkerhet och driftsäkerhet.

SÄKERHETSSYMBOLER

Syftet med säkerhetssymboler är att fästa din uppmärksamhet på eventuella risker. Säkerhetssymbolerna och deras betydelser bör uppmärksammas noga och förstås. Själva varningssymboler kan dock inte förebygga någon fara. De instruktioner och varningar som de hänvisar till kan aldrig ersätta lämpliga olycksförebyggande åtgärder.

⚠ VARNING! Se till att läsa igenom och förstå alla säkerhetsinstruktioner i bruksanvisningen, inklusive alla varningssymboler såsom **“RISK”**, **“VARNING”** och **“VAR FÖRSIKTIG”**, innan produkten tas i bruk. Underlåtenhet att följa alla nedan angivna instruktioner kan leda till elstöt, brand och/eller svår personskada.

SYMBOLERNAS BETYDELSE

A SÄKERHETSRELATERAD VARNINGSSYMBOL:

Betecknar **RISK**, **VARNING** eller **VAR FÖRSIKTIG**. Kan förekomma i samband med andra symboler eller piktogram.

⚠ VARNING! Arbete med eldrivna verktyg kan medföra att främmande föremål slungas upp i ögonen vilket kan orsaka svåra ögonskador. Ta alltid på dig skyddsglasögon eller skyddsglasögon med sidoskydd och vid behov ett komplett ansiktsskydd innan du börjar arbeta med eldrivna verktyg. Vi rekommenderar att använda en Wide Vision Safety Mask ovanpå glasögon eller vanliga skyddsglasögon med sidoskydd.

SÄKERHETSINSTRUKTIONER

På denna sida anges säkerhetssymboler som kan förekomma på produkten. Alla instruktioner som anges på enheten bör granskas, förstås och följas innan du försöker montera och använda den.

	Säkerhetsvarning	Hänvisar till eventuell risk för personskada
	Läs igenom bruksanvisningen	Användaren bör läsa igenom bruksanvisningen för att minska risken för personskada.
	Håll händer och fötter borta från skärverktyget.	Försök aldrig att använda elverktyget med endast en hand. Om du tappar kontrollen över elverktyget kan det resultera i allvariga personskador eller dödsfall. För att minska risken för skärsår, håll händer och fötter på avstånd från skärverktyget. Vidrör aldrig ett rörligt skärverktyg med handen eller någon annan kroppsdel.
	Använd skyddsglasögon	Ha alltid på dig skyddsglasögon eller skyddsglasögon med sidoskydd och ett komplett ansiktsskydd under arbete med denna produkt.
	Brus	Garanterad ljudeffektivivå. Bulleremissioner för omgivningen enligt EU-direktivet.
	CE	Denna produkt är i enlighet med gällande EC-direktiv.
	UKCA	Denna produkt uppfyller tillämplig lagstiftning i Storbritannien.
	WEEE	Förbrukade elektriska produkter får inte kastas i hushållssoptorna. Lämnas in dem till en auktoriserad återvinningsstation.
	Svärdlängd	Svärdlängd
	Skärkapacitet	Max skärkapacitet av svärdet
IPX5	IP-symbol	Skydd mot vattenstrålar
V	Volt	Spänning

	Likström	Strömtyp eller -specifikation
.../min	Per minut	Varv per minut
mm	millimeter	Längd eller storlek
cm	Centimeter	Längd eller storlek
n_0	Obelastad hastighet	Rotationshastighet obelastad

ALLMÄNNA SÄKERHETSVARNINGAR FÖR ELVERKTYG

⚠ VARNING! Läs igenom alla säkerhetsvarningar, instruktioner, illustrationer och specifikationer som medföljer detta elverktyg. Underlåtenhet att följa alla instruktioner som listas nedan kan resultera i elektriska stötar, brand och/eller allvarliga personskador.

Spara alla varningar och instruktioner för framtida behov.

Termen "eldrivet verktyg" i varningarna hänvisar till ditt nådrivna (med sladd) eller batteridrivna (sladdlösa) elverktyg.

SÄKERHET I ARBETSOMRÅDET

- **Håll arbetsområdet rent och väl belyst.** Stökiga eller mörka arbetsområden kan leda till olyckor.
- **Eldrivna verktyg får inte användas i explosiva miljöer** såsom i närvaro av lättantändliga vätskor, gaser eller damm. Eldrivna verktyg kan avge gnistor som kan tända damm eller ångor.
- **Håll barn och obehöriga på avstånd under arbete med eldrivna verktyg.** Distractioner kan få dig att tappa kontrollen.

ELSÄKERHET

- **Stickproppen av den elektriska enheten ska passa uttaget.** Stickproppen får aldrig modifieras på något sätt. Använd inga adapterstickproppar med jordade elektriska enheter. Omodifierade stickproppar och lämpliga uttag minskar risken för elstöt.
- **Undvik kroppskontakt med jordade ytor** såsom rör, radiatorer, elspisar och kylskåp. Risken för elstöt ökar när din kropp är jordad.
- **Eldrivna verktyg får inte utsättas för regn eller väta.** Intrång av vatten i verktyget ökar risken för elstöt.
- **Var försiktig med kabeln från batteripacket.** Använd aldrig kabeln för att bära, släpa eller dra ut kontakten för elverktyget. Håll kabeln borta från värme, olja, skarpa kanter eller rörliga delar. Skadade eller ihoptraslade kablar ökar risken för

elektriska stötar.

- **Om ett eldrivet verktyg används utomhus, använd en förlängningssladd som är lämplig för utomhusbruk.** Sladdar för utomhusbruk minskar risken för elstöt.
- **Om användning av ett eldrivet verktyg i en fuktig miljö är oundviklig, använd ett strömnät som är skyddat med en jordfelsbrytare (RCD).** Användning av jordfelsbrytare minskar risken för elstöt.

PERSONLIG SÄKERHET

- **Var uppmärksam, se vad du gör och använd sunt förnuft vid användning av ett eldrivet verktyg.** Eldrivna verktyg får inte användas medan du är trött eller påverkad av narkotika, alkohol eller läkemedel. Ett ögonblicks uppmärksamhet under användning av ett eldrivet verktyg kan leda till svåra personskador.
- **Använd personlig skyddsutrustning. Använd alltid skyddsglasögon.** Skyddsutrustning såsom dammask, halkfria säkerhetsskor, hjälm eller hörselskydd som är lämplig för aktuella förhållanden förebygger personskador.
- **Undvik oavsiktlig start. Se till att huvudströmbrytaren är i avstängt läge innan du ansluter verktyget och/eller batteripacket eller lyfter upp eller bär verktyget.** Olyckor kan hända om du bär eldrivna verktyg med fingret på strömbrytaren eller startar eldrivna verktyg med strömbrytaren i påslaget läge.
- **Avlägsna eventuell justeringsnyckel eller annan nyckel innan verktyget slås på.** En nyckel som har lämnats på ett roterande maskindel kan orsaka personskador.
- **Sträck dig inte för långt. Se till att du hela tiden har säkert fotfäste och balans.** Så har du bättre kontroll över det eldrivna verktyget i oväntade situationer.
- **Använd korrekta kläder. Använd inte löst sittande kläder eller smycken. Håll hår och klädsel på avstånd från de rörliga delarna.** Löst sittande kläder, smycken och långt hår kan fastna i de rörliga delarna.
- **Om enheter för anslutning av dammuppsamlare finns tillgängliga, se till att de är anslutna och används korrekt.** Användning av dammuppsamlare kan minska dammrelaterade faror.
- **Var alltid uppmärksam vid användning av verktyget, även efter många användningstillfällen, och ignorera inte verktygets säkerhetsprinciper.** En vårdslös handling kan orsaka allvariga personskador inom bråkdelen av en sekund.

ANVÄNDNING OCH SKÖTSEL AV ELDRIVNA VERKTYG

- **Forcera inte elverket.** Använd ett korrekt elverktyg för din tillämpning. Ett korrekt elverktyg utför jobbet bättre och säkrare om det används för rätt tillämpning.
- **Det eldrivna verktyget får inte användas om dess huvudströmbrytare inte fungerar.** Ett eldrivet verktyg som inte kan styras med huvudströmbrytaren är farligt och ska repareras.
- **Koppla ur stickkontakten från strömkällan och/eller batteripacket från elverket innan du utför justeringar, byter tillbehör eller förvarar elverket.** Dessa förebyggande säkerhetsåtgärder minskar risken för att elverket startas oavsiktligt.
- **Eldrivna verktyg som inte används ska förvaras oåtkomligt för barn.** Ingen person som inte är förtrogen med det eldrivna verktyget eller dessa instruktioner får använda det eldrivna verktyget. Eldrivna verktyg är farliga i händerna på okunniga användare.
- **Underhåll elverktyg och tillbehör.** Kontrollera efter felinställning eller bindning av rörliga delar, trasiga delar och alla andra förhållanden som kan påverka elverktygets funktion. Om skadad, lämna in elverket för reparation innan det används. Många olyckor beror på dåligt underhållna elverktyg.
- **Håll skärverktyg vassa och rena.** Välskötta skärverktyg med vassa skärblad kärvar mindre och är lättare att styra.
- **Använd det eldrivna verktyget samt dess tillbehör, bits osv i enlighet med dessa instruktioner och med hänsyn till de aktuella arbetsförhållandena och arbetet som ska utföras.** Användning av eldrivna verktyg för ej avsedda ändamål kan medföra risk.
- **Håll handtagen och greppytorna torra, rena och fria från olja och fett.** Halkiga handtag och greppytor förhindrar säker hantering och kontroll av verktyget vid oväntade situationer.

ANVÄNDNING OCH SKÖTSEL AV BATTERIDRIVNA VERKTYG

- **Ladda endast med en laddare som har specificerats av tillverkaren.** En laddare som är lämplig för en typ av batteripack kan orsaka brandrisk om den används med något annat batteripack.
- **Eldrivna verktyg får endast användas med batteripack som är uttryckligen avsedda för dem.** Användning av andra batteripack kan medföra risk för personskada och brand.
- **När batteripacket ställs av ska det hållas**

avskilt från andra metallföremål såsom gem, mynt, nycklar, spikar, skruvar eller andra små metallföremål som kan skapa en anslutning mellan batteripoler. Kortslutning av batteripoler kan leda till brännskador eller brand.

- **Vid felaktig användning kan batteriet läcka vätska; undvik kontakt med vätskan.** Skölj med vatten vid oavsiktlig hudkontakt. Om vätskan kommer i kontakt med ögonen, sök även läkarhjälp. Batterivätska kan orsaka irritation eller brännskador.
- **Följ alla laddningsinstruktioner och ladda inte batteripacket eller verktyget utanför det temperaturområde som anges i instruktionerna.** Felaktig laddning eller vid temperaturer utanför angivet temperaturområde kan skada batteriet och ökar risken för brand.
- **Använd inte ett batteripack eller verktyg som skadats eller modifierats.** Skadade eller modifierade batterier kan leda till oförutsägbart uppträdande som leder till brand, explosion eller risk för personskador.
- **Utsätt inte batteripacket eller verktyget för eld eller extrema temperaturer.** Exponering av eld eller temperaturer över 100 °C kan orsaka explosion.

SERVICE

- **Service bör utföras av en kvalificerad reparatör och endast med identiska reservdelar.** Detta upprätthåller säkerheten av det eldrivna verktyget.
- **Utför aldrig service på ett skadat batteripack.** Service av batteripack bör endast utföras av tillverkaren eller auktoriserade serviceverkstäder.

SÄKERHETSVARNINGAR FÖR HÄCKSAXEN

- **Håll alla kroppsdelar borta från svärdet. Försök inte att ta bort avklippt material eller hålla i materialet som ska klippas av medan skärbladen är i rörelse. Se till att huvudströmbrytaren är i avstängt läge när du ska ta bort fastnat material.** Ett ögonblicks ouppmärksamhet under arbete med häcksaxen kan leda till svåra personskador.
- **Bär häcksaxen i handtaget och med avstängda skärblad.** Sätt alltid på svärdskyddet när häcksaxen ska transporteras eller ställas av. Korrekt hantering av häcksaxen minskar risken för personskada pga skärblad.
- **Håll endast i de isolerade greppytorna av det eldrivna verktyget eftersom skärbladen kan komma i kontakt med dolda elkablar.** Vid kontakt med spänningssatta kablar kan skärbladen göra verktygets oisolerade metalldelar spänningsförande

och ge användaren en elstöt.

- **Håll batterikabeln på avstånd från skärområdet.** Vid användning kan kabeln döjljas i buskar och oavsiktligt kapas av skärbladet.
- Kontrollera häcken för främmande föremål (t ex en trädstängsel) före arbetet.
- Använd häcksaxen endast med korrekt påmonterat skydd. Användning av häcksaxen utan korrekt skydd kan leda till svåra personskador!
- **Håll i häcksaxen med båda händerna under arbetet. Annars kan du tappa kontrollen vilket kan leda till svåra personskador.**

VIKTIGA SÄKERHETSINSTRUKTIONER

- Batteripacket får inte laddas i regn eller väta.
- Batteripaketet måste tas ur apparaten innan det skrotas.
- Ta inte i det oskyddade svärdet eller skärbladen när du lyfter upp eller håller i häcksaxen.
- Stå aldrig på en stege, ett tak, ett träd eller annat ostadigt underlag. Säkert fotfäste på ett stadigt underlag möjliggör bättre kontroll över häcksaxen i oväntade situationer.
- Låt aldrig barn använda häcksaxen.
- Säkerhetsanordningarna får aldrig avlägsnas eller ändras. Kontrollera deras funktion regelbundet. Man får inte på något sätt störa den avsedda funktionen av en säkerhetsanordning eller minska dess skydds nivå.
- Kontrollera åtdragningen av svärdets och motorns fästbultar ofta. Granska svärdet för skada (t ex böjning, sprickning eller nötning). Svärdet får endast bytas ut mot ett motsvarande svärd av EGO™.
- Ett böjt eller sprucket svärd ska bytas ut. Ett dåligt balanserat svärd orsakar vibration som kan skada motorenheten eller leda till personskada.
- Om utrustningen börjar vibrera onormalt, stoppa omedelbart motorn och leta efter orsaken.
- Trimmern ska användas för att kapa stammar som är högst 33 mm tjocka.
- Verktuget får inte spolas med en slang; undvik intrång av vatten i motorn och elkopplingarna
- Följ instruktionerna för smörjning och byte av tillbehör.
- Håll handtagen torra, rena och fria från olja och smörjmedel.
- Spara dessa instruktioner. Läs dem ofta och använd dem för att instruera eventuella övriga användare av enheten. Om du lånar enheten till någon bör dessa instruktioner följa med för att förebygga eventuell fel användning och personskada.

SPARA DESSA INSTRUKTIONER!

SPECIFIKATIONER

Spänning	56 V ---	56 V ---
Skärblad hastighet	1800 /min	1800 /min
Svärdlängd	65 cm	75 cm
Skärkapacitet	31 mm	31 mm
Verktygets vikt	4,1 kg	4,2 kg
Rekommenderad drifttemperatur	0°C-40°C	0°C-40°C
Rekommenderad förvaringstemperatur	-20°C-70°C	-20°C-70°C
Uppmätt ljudeffektnivå L_{WA}	90,1 dB(A) K=2,9 dB(A)	95,4 dB(A) K=1,52 dB(A)
Ljudtrycksnivå vid operatörens öra L_{PA}	80,1 dB(A) K=3 dB(A)	83,9 dB(A) K=2,5 dB(A)
Garanterad ljudtrycksnivå L_{WA} (enligt 2000/14/EC)	93 dB(A)	97 dB(A)
Vibration a_h	Bakre handtag	3,2 m/s ² K=1,5 m/s ²
	Främre handtag	3,9 m/s ² K=1,5 m/s ²

- Det angivna totalvärdet för vibration är uppmätt enligt standardprovningmetoden och kan användas för att jämföra olika verktyg;
- Det angivna totalvärdet för vibration kan även användas vid preliminär utvärdering av exponering.

OBS! Den verkliga vibrationen under arbete med det eldrivna verktuget kan avvika från det angivna värdet. Användaren bör ha på sig lämpliga handskar och hörselskydd för de aktuella arbetsförhållandena för att skydda sig

LEVERANSLISTA

ARTIKEL	ANTAL
Skydd	1
Häcktrimmer	1
Bruksanvisning	1

BESKRIVNING

LÄRA KÄNNA DIN HÄCKTRIMMER (bild A)

1. Spetskydd
2. Skärblad
3. Skärbladsskydd
4. Främre spak
5. Främre handtag
6. Startspärr
7. Bakre spak
8. Bakre handtag
9. "U"-hake
10. Uttag
11. Handskydd
12. Skydd

SE

⚠ VARNING! Denna produkt levereras helt monterad. Handskyddet får aldrig tas bort under användning. Om det är skadat, låt en kvalificerad servicetekniker byta ut det omedelbart.

⚠ VARNING! Säker användning av produkten förutsätter att man har förstått informationen om enheten och informationen i denna bruksanvisning samt är förtrogen med arbetet som ska utföras. Lär känna alla funktioner och säkerhetsregler innan produkten tas i bruk

ANVÄNDNING

⚠ VARNING! Var aldrig vårdslös, även om du är väl förtrogen med verktyget. Glöm inte att en bråkdel av en sekund av ouppmärksamhet är tillräcklig för att orsaka svåra personskador.

⚠ VARNING! Använd alltid skyddsglasögon med sideskydd och hörselskydd. Annars kan det förekomma ögonskador pga utslungade föremål och andra svåra personskador.

⚠ VARNING! För att förhindra att maskinen startas oavsiktligt, vilket kan orsaka allvarliga personskador, ta alltid ut batteriet ur verktyget vid montering av delar, justeringar, rengöring eller när den inte används.

⚠ VARNING! Använd inga detaljer eller tillbehör som inte rekommenderas av EGO™. Användning av ej rekommenderade detaljer eller tillbehör kan leda till svåra personskador.

Kontrollera hela produkten för skadade, saknade eller lösa detaljer såsom skruvar, muttrar, bultar, lock osv före varje användning. Dra åt alla fästen och lock noga och använd

produkten först när alla saknade eller skadade detaljer är utbytt.

Produkten kan användas i regn.

INSTALLERA/TA UT BATTERIPACKET

Använd endast med de batteripack och laddare som listas i bild A.

Ladda före första användning.

Installation (bild B & C & D)

Med logotyperna ▲ korrekt riktade på både kontakten och häcktrimmern, anslut kontakten till häcktrimmern tills den gröna markeringen är helt införd i uttaget.

Montera batterikabeln i "U"-haken.

Borttagning (bild E)

Frigör batterikabeln från "U"-haken och dra ut kontakten ur häcktrimmern.

STARTA/STOPPA HÄCKTRIMMERN

Före användning, ta bort skyddet och håll trimmern med båda händerna, en på det bakre handtaget och den andra på det främre handtaget. Se sedan till att du har ett bra fötfäste, korrekt kroppsställning och ett lämpligt skäravstånd.

⚠ VARNING! Håll handtagen med båda händerna hela tiden. Försök aldrig att hålla grenarna med ena handen medan du använder häcksaxen med den andra. Underlåtenhet att följa denna varning kan leda till svåra personskador.

⚠ VARNING! När häcktrimmern stoppas, skjut startspärren till "OFF" (AV) innan batteripacket tas ut. Underlåtenhet att efterfölja denna varning kan resultera i allvarliga personskador.

Starta

Tryck startspärren till läget "ON" (På) (bild F) och tryck sedan på den bakre spaken. Med den bakre spaken intryckt, fortsätt att trycka in den främre spaken för att starta.

Bild F. Se nedan för beskrivning av delar:

F-1	Startspärr
F-2	Bakre spak

Stoppa

Släpp upp valfri spak för att stoppa den och tryck

startspärren till läget "OFF" (Av) för att förhindra oavsiktlig start.

OBS! Båda spakarna måste hållas in för att häcktrimmern ska starta.

HÅLLA HÄCKTRIMMERN

Med skärbladen riktade bort från dig, håll i trimmern med två händer, främre handtaget i den ena och bakre handtaget i den andra. Tre olika hållningsriktningar kan passa för olika beskärningstillämpningar (bild G, H och I).

ANVÄNDNING AV HÄCKSAXEN

⚠ VARNING! Om skärbladen fastnar på en elledning eller kabel, **RÖR INTE SKÄRBLADET! DEN KAN BLI STRÖMFÖRANDE OCH MYCKET FARLIG!** Fortsätt att hålla häcktrimmern i det isolerade bakre handtaget eller lägg ner den riktad bort från dig på ett säkert sätt. Koppla ur elektriciteten för den skadade ledningen eller kabeln innan du försöker frigöra skärbladet från ledningen eller kabeln. Underlåtenhet att följa denna varning kan resultera i allvarliga personsador eller dödsfall.

⚠ VARNING! Håll händerna borta från skärbladen för att förebygga svåra personsador. Försök inte att ta bort avklipp material eller hålla materialet som ska klippas av medan skärbladen är i rörelse. Se till att skärbladen har stannat helt och batteripacket är avlägsnat innan du rengör skärbladen från fastnat material. Ta inte i det oskyddade svärdet eller skärbladen medan du lyfter upp eller håller i enheten.

⚠ VARNING! Förbered klippningsområdet före varje användning. Avlägsna alla föremål såsom kablar, lampor, metalltråd eller snören som kan fastna i skärbladen och medföra risk för svåra personsador.

⚠ VARNING! Undvik att trimma för mycket på en gång eller att köra genom kraftigt buskage. Det kan få skärbladen att hamna i kläm och sakta ner, vilket minskar effektiviteten.

OBS! Vid nytt buskage är stora svep lämpliga för att trycka in stammarna direkt i skärbladet. Vid äldre buskage är en sågande rörelse lämplig för att trimma tjockare stammar. En handsåg eller beskärningssåg rekommenderas för att trimma stora stammar först.

Hög beskärning

Använd en bred svepande rörelse. Luta skärbladen något i nedgående riktning mot beskärningens riktning för bästa resultat. För bättre skäreffekt kan du använda strängen som vägledning för häckens nivå (bild J).

KLIPPNING AV SIDORNA

När du klipper häckens sidor, börja nerifrån och flytta saxen uppåt (se fig. K)

Spetsskydd

Spetsskyddet (bild L) används för att skydda skärbladets yttersta del.

Skärbladsskydd

Skärbladens yttersta del är formad efter skärbladsskydden (bild M).

Bild M. Se nedan för beskrivning av delar:

M-1	Skärblad
M-2	Skärbladsskydd

⚠ VARNING! Kontrollera alltid att skärbladsskyddet inte är skadat eller ur position. Byt ut det om det böjts eller skadats.

SE

UNDERHÅLL

⚠ VARNING! Använd endast identiska reservdelar vid service. Användning av andra detaljer kan leda till risker eller skada på produkten. Alla reparationer bör utföras av en kvalificerad servicetekniker för att upprätthålla säkerhet och driftssäkerhet.

⚠ VARNING! Ta alltid ut batteripacket ur produkten före rengöring eller underhåll för att undvika svåra personsador.

RENGÖRING

- Använd en mjuk borste för att rengöra alla luftintag och svärdet från skräp.
- Spraya skärbladen med hartslösningsmedel för att avlägsna harts och andra klibbiga ämnen. Kör motorn för en stund för att sprida lösningsmedlet jämnt.
- Torka ytan med en ren trasa.

⚠ VARNING! Undvik användning av lösningsmedel vid rengöring av plastdetaljer. De flesta plastmaterialen är känsliga mot olika vanliga lösningsmedel. Använd rena trasor för att avlägsna smuts, damm, olja, smörjmedel osv.

VÄSSA SKÄRBLADET

1. Ta bort batteripacket från häcktrimmern.
2. AHB6500S/AHB7500S: Kläm fast skärenheten i ett skruvstöd och slipa den exponerade skärytan för varje tand på skärbladet. Ta bort så lite material som möjligt. AHB6500/AHB7500 (med "🌀" och "HÄRDAD" skärbladsyta): Kläm fast skärenheten i ett

skruvstäd och slipa den exponerade skärytan med en diamantfil eller slipmaskin med låg hastighet (rotationshastighet < 2 500 min⁻¹, matningshastighet < 60 mm/min, masknummer > 100). Ta bort så lite material som möjligt.

3. Ta bort häcktrimmern från skruvstället och justera det ovässade skärbladet som är exponerat på andra sidan.

Upprepa ovanstående procedur tills alla sågbladständer är vässade.

OBS! Använd inte häcktrimmern med slöa eller skadade skärblad. Det kan orsaka överbelastning och leda till oönskade kapningsresultat.

SE

OBS! En normal metallfil är inte kapabel till att vässa det speciella skärbladet AHB6500/AHB7500.

OBS! Vid användning av en slipmaskin med låg hastighet (rotationshastighet < 2 500) för att vässa skärbladet, vattna skärbladständerna kontinuerligt under slipningen.

SMÖRJA IN HÄCKTRIMMERN

⚠ VARNING! Smörj inte in delar när häcktrimmern fortfarande är ansluten till batteriet eller igång.

Smörja in skärbladet

För bästa användning och längre livslängd för skärbladet, smörj in häcktrimmerns skärblad med lättlöslig maskinolja före och efter användning.

Ta ut batteripacket och lägg trimmern på en jämn yta. Applicera oljan längs med eggen på det övre skärbladet (bild N).

Smörja in växellådan

För bästa användning och längre livslängd, smörj in häcktrimmerns växellåda med särskilt fett (5-6 g i #1 och 10-12 g i #2 vid varje insmörjning) efter cirka 50 timmars användning.

Det särskilda fettet bör uppfylla följande krav.

1. Klassificering enligt DIN51818: NLGI-2 penetrationsgrad.
2. Bestå av förtjockningsmedel polyurea + syntetisk smörjolja
3. Utmärkt lågtemperaturstart, EP, maskinella saxar, nötningshärdighet och oxidationsstabilitet.
4. Drifttemperatur måste ligga inom -40~180°C.

Ta ut batterikontakten och de två förseglingskruvarna (bild O). Smörj in växellådan genom oljehålet.

OBS! Fyll inte upp växellådan fullt med fett.

TRANSPORTERING OCH FÖRVARING

- Montera alltid skyddet för skärbladet innan häcktrimmern förvaras eller transporteras. Var försiktig med de skarpa sågtänderna.
- Rengör häcksaxen noga innan den ställs av
- Förvara häcksaxen inomhus, i ett torrt ställe och oåtkomligt för barn.
- Håll saxen borta från korrosiva ämnen såsom trädgårdskemikalier och avsningsalter.

⚠ VARNING! Skärbladen är vassa. Ha på dig halkfria, starka skyddshandskar medan du hanterar svärdsenheten. Placera aldrig handen eller fingrarna mellan skärbladen eller i vilken som helst position där de kan komma i kläm eller få skärsår. Rör ALDRIG vid skärbladen eller utför underhåll medan batteripacket sitter på verktyget.

Miljöskydd



Kasta inte elektrisk utrustning, använt batteri och laddare i hushållsoporna! Ta denna produkt till en auktoriserad återvinnare och gör den tillgänglig för separat insamling. Elektriska verktyg måste returneras till en m ditt välmående

FELSÖKNING

PROBLEM	ORSAK	LÖSNING
Häcksaxen fungerar inte.	<ul style="list-style-type: none"> Batteripacket är inte monterat till häcktrimmern eller ingen elektrisk kontakt mellan häcktrimmern och batteriet. 	<ul style="list-style-type: none"> Koppla ur och återanslut batterikontakten till häcktrimmern.
	<ul style="list-style-type: none"> Batteripacket är urladdat. 	<ul style="list-style-type: none"> Ladda batteripacket med den laddare som anges.
	<ul style="list-style-type: none"> Startspärren är inte i läget "ON" (På) innan spakarna tryckts in. 	<ul style="list-style-type: none"> Innan trimmern används, säkerställ att startspärren är upplåst.
	<ul style="list-style-type: none"> Batteripacket eller häcktrimmern är för varm. 	<ul style="list-style-type: none"> Låt batteripacket och häcktrimmern svalna tills temperaturen återgått till normal temperatur.
	<ul style="list-style-type: none"> Svärdet har kört fast. 	<ul style="list-style-type: none"> Ta ut batteripacket från verktyget. Avlägsna försiktigt hindret och återanslut sedan batteriet och starta verktyget igen.
	<ul style="list-style-type: none"> Häcktrimmern är överbelastad. 	<ul style="list-style-type: none"> Minska maskinens belastning.
Kraftig vibration eller högt ljud.	<ul style="list-style-type: none"> Torra eller korroderade skärblad. 	<ul style="list-style-type: none"> Smörj in skärbladen.
	<ul style="list-style-type: none"> Böjda skärblad eller böjt skärbladsstöd. 	<ul style="list-style-type: none"> Byt ut mot ett nytt skärblad eller hållare. Kontakta EGO-servicecenter för utbyte av skärblad eller hållare.
	<ul style="list-style-type: none"> Böjda eller skadade tänder. 	<ul style="list-style-type: none"> Byt ut mot ett nytt skärblad. Kontakta ett EGO-servicecenter för utbyte av skärblad.
	<ul style="list-style-type: none"> Lösa skärbladsbultar. 	<ul style="list-style-type: none"> Dra åt bultarna. Skruva bulten medurs med en nyckel för att dra åt den

SE

GARANTI

GARANTIVILLKOREN AV EGO

Var god besök webbplatsen egopowerplus.eu för att se de fullständiga garantivillkoren av EGO.

LUE KAIKKI OHJEET!



LUE KÄYTTÖOPAS

VAROITUS: Valtuutetun huoltoteknikon tulee suorittaa kaikki korjaukset ja osien vaihdot, jotta voidaan taata tuotteen turvallinen ja luotettava käyttö.

TURVAMERKIT

Turvamerkkien tavoitteena on kiinnittää huomiota mahdollisiin vaaroihin. Sinun tulee lukea huolellisesti käyttöohjeet ja ymmärtää turvamerkit ja niiden selitteet. Turvamerkit eivät itsessään poista vaaraa.

FI

Niiden antamat ohjeet ja varoitukset eivät korvaa asianmukaisia tapaturman torjuntatoimenpiteitä.

VAROITUS: Varmista, että luet ja ymmärrät kaikki tämän käyttäjän käsikirjan turvallisuusohjeet, mukaan lukien kaikki vaaramerkit, kuten "VAARA", "VAROITUS" ja "HUOMIO", ennen kuin käytät työkalua. Alla mainittujen ohjeiden noudattamatta jättäminen voi aiheuttaa sähköiskun, tulipalon ja/tai vakavan henkilövahingon.

MERKIN SISÄLTÖ

Ilmaisee seuraavia: VAARA, VAROITUS TAI HUOMIO. Voidaan käyttää yhdessä muiden merkkien tai kuvamerkkien kanssa.

VAROITUS: Vierasesineitä voi sähkötyökalujen käytön seurauksena lentää silmiin, ja ne voivat aiheuttaa vakavan silmävamman. Käytä aina suojalaseja tai turvalaseja sivusuojilla ja tarvittaessa kokokasvosuojusta ennen sähkötyökalun käytön aloittamista. Suosittelemme laajan näkökentän kasvosuojusta silmälasien päälle tai vakioturvalaseja sivusuojilla.

TURVALLISUUSOHJEET

Tällä sivulla esitetään ja kuvataan tähän tuotteeseen mahdollisesti liittyvät turvamerkit. Lue kaikki koneen ohjeet siten, että ymmärrät ne, ja noudata niitä ennen kuin kasaat koneen ja käytät sitä

	Turvallisuusvaroitus	Ilmaisee mahdollista henkilövahingon vaaraa.
	Lue käyttäjän käsikirja	Tapaturmariskin pienentämiseksi käyttäjän täytyy lukea käyttäjän käsikirja.
	Pidä kätesi ja jalkasi etäällä leikk-uuterästä	Älä koskaan yritä käyttää sähkötyökalua yhdellä kädellä. Sähkötyökalun hallinnan menetyksessä johtaa vakavaan henkilövahinkoon tai jopa kuolemaan. Vähennät viivottomien vaaraa pitämällä kätesi ja jalkasi etäällä leikkuuterästä. Älä koske liikkuvaan terään kädelläsi tai muulla kehon osalla.
	Käytä suojalaseja	Käytä aina suojalaseja tai turvalaseja sivusuojilla ja kokokasvosuojusta, kun käytät tätä tuotetta.
	Melu	Taattu äänen tehotaso. Melupäästöt ympäristöön Euroopan yhteisön direktiivin mukaiset.
	CE	Tämä tuote vastaa sovellettavia EU-direktiivejä.
	UKCA	Tämä tuote on Yhdistyneen kuningaskunnan lainsäädännön mukainen.
	WEEE	Vanhoja sähkölaitteita ei saa hävittää kotitalousjätteen mukana. Vie laite valtuutettuun kierrätyslaitokseen.
	Terän pituus	Terän pituus
	Leikkuuteho	Terän maks. leikkuuteho
	IP-symbolit	Suojaus vesisuihkua vastaan
	Voltti	Jännite
	Tasavirta	Virran tyyppi tai virtajännite-ominaiskäyrä
	Per minuutti	Kierrosta minuutissa
	millimetri	Pituus tai koko
	Senttimetri	Pituus tai koko
	Tyhjäkäyntinopeus	Kierrosta minuutissa

YLEISET SÄHKÖTYÖKALUJEN TURVALLISUUSVAROITUKSET

VAROITUS: Lue kaikki sähkötyökalun mukana tulleet turvallisuusvaroitukset, ohjeet, piirustukset ja tekniset tiedot. Jos kaikkia alla olevia ohjeita ei noudateta, seurausena saattaa olla sähköisku, tulipalo ja/tai vakava loukkaantuminen.

Säilytä kaikki varoitukset ja ohjeet huolellisesti. Käsitteellä ”sähkötyökalu” tarkoitetaan varoituksissa verkkokäyttöistä (johdolla varustettua) tai akkukäyttöistä (johdotonta) sähkötyökalua.

TYÖALUEEN TURVALLISUUS

- **Pidä työalue puhtaana ja hyvin valaistuna.** Epäjärjestyksessä olevilla tai hämärillä alueilla sattuu helpommin tapaturmia.
- **Älä käytä sähkötyökaluja räjähdysvaarallisissa ympäristöissä, kuten syttyvien nesteiden, höyryjen tai pölyn läheisyydessä.** Sähkötyökalujen käytöstä syntyy kipinöitä, jotka voivat sytyttää pölyn tai höyryt palamaan.
- **Pidä lapset ja sivulliset loitolla, kun käytät sähkötyökalua.** Häiriötekijät voivat aiheuttaa työkalun hallinnan menettämisen.

SÄHKÖTURVALLISUUS

- **Sähkötyökalun pistokkeiden täytyy sopia pistorasiaan. Älä koskaan muuntele pistoketta millään tavalla. Älä käytä sovittipistokkeita maadoitettujen sähkötyökalujen kanssa.** Muuntelemattomat pistokkeet ja yhteensopivat pistorasiat pienentävät sähköiskun riskiä.
- **Vältä koskettamasta maadoitettuja pintoja, kuten putkia, lämpöpattereita, liesiä ja jääkaappeja.** Maadoitettuihin pintoihin koskettaminen lisää sähköiskun riskiä.
- **Älä altista sähkötyökaluja sateelle tai märille olosuhteille.** Sähkötyökaluun tunkeutuva vesi lisää sähköiskun vaaraa.
- **Älä väärinkäytä akun johtoa. Älä koskaan kannata tai vedä laitetta johdosta tai irrota pistoketta pistorasiasta johdosta vetämällä. Pidä johto loitolla kuumuudesta, öljystä, terävistä reunoista ja liikkuvista osista.** Vahingoittuneet tai sokeutuneet johdot lisäävät sähköiskun vaaraa.
- **Käytä ulkokäyttöön sopivaa jatkojohtoa, kun käytät sähkötyökalua ulkona.** Ulkokäyttöön sopivan johdon käyttäminen pienentää sähköiskun riskiä.

- **Jos sähkötyökalun käyttö kosteassa tilassa on välttämätöntä, käytä jännönsvirtalaitteella (RCD) suojattua virtalähdettä.** Jännönsvirtalaitteen käyttö pienentää sähköiskun riskiä

HENKILÖKOHTAINEN TURVALLISUUS

- **Pysy valppaana, keskity siihen, mitä teet ja käytä tervettä järkeä, kun käytät sähkötyökalua. Älä käytä sähkötyökalua väsyneenä tai huumausaineiden, alkoholin tai lääkkeiden vaikutuksen alaisena.** Hetkellinen herpaantuminen sähkötyökalujen käytön aikana voi aiheuttaa vakavan henkilövahingon.
- **Käytä henkilönsuojaimia. Käytä aina suojalaseja.** Hengityssuojaimen, liukumattomien turvajalkineiden, suojakypärän tai kuulosuojainten kaltaisten suojarusteiden tarkoituksenmukainen käyttö vähentää henkilövahinkoja.
- **Estä tahaton käynnistyminen. Varmista, että kytkin on off-asennossa ennen kuin liität työkalun virtalähteeseen ja/tai akkuyksikköön, nostat työkalua tai kannat sitä.** Sähkötyökalujen kantaminen sormen ollessa kytkimellä tai virran kytkeminen sähkötökaluihin, joiden kytkin on on-asennossa, altistaa tapaturmille.
- **Irrota jokoavaimet tai kiintoavaimet ennen kuin käynnistät sähkötyökalun.** Sähkötyökalun pyöriivään osaan kiinni jätetty kiinto- tai jokoavain voi aiheuttaa henkilövahingon.
- **Älä kurkottele. Säilytä aina tukeva asento ja hyvä tasapaino.** Tällöin hallitset sähkötyökalun paremmin odottamattomissa tilanteissa.
- **Pukeudu asianmukaisesti. Älä käytä väljiä vaatteita tai koruja. Pidä hiukset ja vaatteet etäällä liikkuvista osista.** Väljät vaatteet, korut tai pitkät hiukset voivat takertua liikkuviin osiin.
- **Jos laitteissa on liitännät pölynpöistölaitteille ja keräilylaitteille, varmista, että ne on liitetty ja niitä käytetään oikein.** Pölynpöistölaitteiden käyttö vähentää pölyyn liittyviä vaaroja.
- **Älä anna tuotteen tuttuuden toistuvan käytön takia tehdä sinua liian itsevarmaksi, äläkä jätä työkalun turvallisuusohjeita noudattamatta.** Huolimaton toiminta voi aiheuttaa vakavan henkilövahingon sekunnin murto-osassa.

SÄHKÖTYÖKALUJEN KÄYTTÖ JA YLLÄPITO

- **Älä pakota sähkötyökalua. Käytä omaan käyttötarkoitukseesi soveltuvaa sähkötyökalua.**

Oikea sähkötyökalu suoriutuu parhaiten ja turvallisimmin tehtävästä sille tarkoitettulla nopeudella.

- **Älä käytä sähkötyökalua, jos sitä ei voi käynnistää ja sammuttaa kytkimestä.** Kaikki sähkötyökalut, joita ei voi hallita kytkimellä, ovat vaarallisia ja ne täytyy korjata.
- **Irrota pistotulppa virtalähteestä ja/tai irrota akku sähkötyökalusta, jos irrotettavissa, ennen kuin teet mitään muutoksia, vaihdat apuvälineitä tai laitat sähkötyökalun varastoon.** Nämä estävät turvallisuustoimenpiteet vähentävät sähkötyökalun vahingossa käynnistämisen riskiä.
- **Säilytä toimetonta sähkötyökalua lasten ulottumattomissa äläkä anna sähkötyökaluun ja näihin ohjeisiin perehtymättömien henkilöiden käyttää sähkötyökalua.** Sähkötyökalut ovat vaarallisia tottumattomien käyttäjien käsissä.
- **Huolla sähkötyökalut ja lisävarusteet.** Tarkista, että liikkuvat osat ovat kunnolla paikallaan, että osat ovat ehjiä, ja että sähkötyökalussa ei ole muita ongelmia, jotka saattaisivat vaikuttaa sen toimintaan. Jos sähkötyökalu on vahingoittunut, korjauta se ennen käyttöä. Monet onnettomuudet johtuvat huonosti ylläpidetyistä sähkötyökaluista.
- **Pidä leikkuutyökalut terävinä ja puhtaina.** Asianmukaisesti huolletut leikkuutyökalut terävillä leikkusärmillä eivät kovin helposti takertele ja niitä on helpompi hallita.
- **Käytä sähkötyökalua, lisävarusteita, työkalun vaihtoteriä jne. näiden ohjeiden mukaisesti huomioiden myös työolosuhteet ja suoritettava työ.** Sähkötyökalun käyttö muuhun kuin suunniteltuun käyttötarkoitukseen voi aiheuttaa vaarallisen tilanteen.
- **Pidä kahvat ja tartuntapinnat kuivina, puhtaina, öljyttöminä ja rasvattomina.** Liukkaat kahvat ja tartuntapinnat eivät mahdollista työkalun turvallista käsittelyä ja hallintaa odottamattomissa tilanteissa.

AKKUTYÖKALUN KÄYTTÖ JA HOITO

- **Lataa uudelleen vain valmistajan määrittelemällä latauslaitteella.** Latauslaite, joka sopii yhdelle akkuyksikkötyypille, voi toisen akkuyksikön kanssa käytettynä aiheuttaa tulipaloriskin.
- **Käytä sähkötyökaluja ainoastaan erityisesti niitä varten tarkoitettujen akkuyksiköiden kanssa.** Kaikkien muiden akkuyksiköiden käyttö voi aiheuttaa loukkaantumisen- ja tulipaloriskin.
- **Kun akkuyksikköä ei käytetä, pidä se kaukana metalliesineistä, kuten paperiliittimistä, kolikoista, avaimista, nauloista, ruuveista tai muista pienistä**

metalliesineistä, jotka voivat muodostaa yhteyden napojen välille. Akun napojen yhdistäminen voi aiheuttaa palovammoja tai tulipalon.

- **Nestettä voi vuotaa akusta, jos siihen kohdistuu iskuja; välttä tällöin kontakteja. Jos kontakti vahingossa tapahtuu, huuhtele vedellä.** Jos nestettä pääsee silmiin, hakeudu myös lääkärin hoitoon. Akkuneste voi aiheuttaa ärsytystä tai palovammoja.
- **Noudata kaikkia latausohjeita. Älä lataa akkua tai työkalua lämpötilassa, joka ole ohjeissa ilmoitetun lämpötila-alueen sisällä.** Virheellinen lataaminen tai lataaminen ilmoitetun lämpötila-alueen ulkopuolella olevassa lämpötilassa voi vaurioittaa akkua ja lisätä palovaaraa.
- **Älä käytä akkua tai työkalua, joka on vaurioitunut tai jota on muutettu.** Vaurioituneet tai muutetut akut voivat käyttäytyä arvaamattomasti ja aiheuttaa tulipalon, räjähdyksen tai henkilövahingon vaaran.
- **Älä altista akkua tai työkalua tullelle tai äärimmäisille lämpötiloille.** Altistaminen yli 100°C:n lämpötilalle voi aiheuttaa räjähdyksen.

HUOLTO

- **Huollata sähkötyökalu valtuutetulla korjaajalla, joka käyttää vain valmistajan hyväksymiä varaosia.** Näin voit varmistaa, että sähkötyökalu säilyy turvallisena.
- **Älä koskaan huolla vaurioitunutta akkua.** Akkujen huollon saa tehdä vain valmistaja tai sen valtuuttamat huoltoliikkeet.

PENSASLEIKKURIN TURVALLISUUSVAROITUKSIA

- **Pidä kaikki kehon osat riittävällä etäisyydellä leikkaavasta terästä. Älä poista leikattua materiaalia sähkötyökalusta tai pidä kiinni leikattavasta materiaalista terien liikkeessä.** Varmista, että kytkin on off-asennossa, kun irrotat kiinnijuuttunutta materiaalia. Hetkellinen herpaantuminen pensasleikkurin käytön aikana voi aiheuttaa vakavan henkilövahingon.
- **Kanna pensasleikkuria kahvasta ja leikkaava terä pysäytettynä.** Kun kuljetat pensasleikkuria tai viet sen varastoon, kiinnitä aina leikkuaalteen suoja paikalleen. Pensasleikkurin oikea käsittely vähentää leikkaavien terien aiheuttamia mahdollisia henkilövahinkoja.
- **Kanna sähkötyökalua vain eristetyistä tartuntapinnoista, koska leikkaava terä voi osua piilossa oleviin johtoihin.** Jännitteeseen johtoon

osuvat leikkaavat terät voivat tehdä sähkötyökalun näkyvät metalliosat jännitteisiksi ja käyttäjä voi saada niistä sähköiskun.

- **Pidä akun johto poissa leikkuaalueelta.** Käytön aikana johto saattaa piiloutua pensaikoon, jolloin terä voi vahingossa katkaista sen.
- Tarkasta pensasaita vieraiden esineiden, esim. rautalanka-aitojen varalta ennen käyttöä.
- Käytä pensasleikkuria vain, kun suojuus on asennettu kunnolla. Pensasleikkurin käyttö ilman kunnollista suojusta voi aiheuttaa vakavan henkilövahingon!
- **Pidä pensasleikkurista kiinni molemmin käsin. Leikkurin käyttö yhdellä kädellä voi aiheuttaa hallinnan menettämisen, mistä voi seurata vakava henkilövahinko.**
- **TÄRKEITÄ TURVALLISUUSOHJEITA**
- Älä lataa akkuysikköä sateessa tai määrässä tilassa.
- Akku tulee poistaa laitteesta ennen laitteen hävittämistä.
- Älä tartu näkyvissä oleviin leikkuuteriin tai leikkusärmiin, kun nostat pensasleikkurin tai kannat sitä.
- Älä käytä ollessasi tikapuilla, ulkokatolla, puussa tai muun epävakaan tuen päällä. Vakaa asento kiinteällä pinnalla auttaa hallitsemaan pensasleikkuria paremmin odottamattomissa tilanteissa
- Älä anna lasten koskaan käyttää pensasleikkuria.
- Älä koskaan poista tai peukaloi turvalaitteita. Tarkasta niiden asianmukainen toiminta säännöllisesti. Älä koskaan tee mitään, mikä häiritsee turvalaitteelle tarkoitettua toimintaa tai vähentää turvalaitteen tarjoamaa suojaa.
- Tarkasta terän ja moottorin kiinnityspulttien oikea kireys säännöllisin väliajoin. Tarkasta terä silmämääräisesti myös vaurioiden varalta (esim. taipunut, murtunut ja kulunut). Vaihda terä vain EGO™-valmisteseen terään.
- Vaihda terä, jos se on taipunut tai murtunut. Tasapainottamaton terä aiheuttaa tärinää, joka voi vahingoittaa moottorin käyttöyksikköä tai aiheuttaa henkilövahingon.
- Jos laite alkaa täristä epätavallisesti, sammuta moottori ja etsi syy välittömästi.
- Leikkuria voi käyttää paksuudeltaan alle (33 mm) oksien katkaisuun.
- Älä pese letkulla; estä veden pääsy moottoriin ja sähköliitäntöihin.
- Noudata lisävarusteiden voiteluun ja vaihtamiseen liittyviä ohjeita.
- Pidä kahvat kuivina, puhtaina, öljyttöminä ja

rasvattomina.

- Säilytä nämä ohjeet. Lue niitä usein ja anna ne myös luettavaksi muille henkilöille, jotka mahdollisesti käyttävät työkalua. Jos lainaat työkalua toiselle henkilölle, anna mukaan myös nämä ohjeet, jotta voit estää tuotteen väärinkäytön ja mahdollisen vahingon.

SÄILYTÄ NÄMÄ OHJEET!

TEKNISEET TIEDOT

Jännite	56 V ---	56 V ---	
Terän nopeus	1800 /min	1800 /min	
Terän pituus	65 cm	75 cm	
Maksimi leikkuukapasiteetti	31 mm	31 mm	
Työkalun paino	4,1 kg	4,2 kg	
Suosittelu käyttölämpötila	0°C-40°C	0°C-40°C	
Suosittelu säilytyslämpötila	-20°C-70°C	-20°C-70°C	
Mitattu äänen tehotaso L_{WA}	90,1 dB(A) K=2,9 dB(A)	95,4 dB(A) K=1,52 dB(A)	
Äänenpaineen taso käyttäjän korvien tasolla L_{PA}	80,1 dB(A) K=3 dB(A)	83,9 dB(A) K=2,5 dB(A)	
Mitattu äänen tehotaso L_{WA} (direktiivin 2000/14/EU mukaisesti)	93 dB(A)	97 dB(A)	
Värinä a_h	Takakahva	3,2 m/s ² K=1,5 m/s ²	2,872 m/s ² K=1,5 m/s ²
	Etukahva	3,9 m/s ² K=1,5 m/s ²	3,536 m/s ² K=1,5 m/s ²

- Ilmoitettu tärinän kokonaisarvo on mitattu standardikoemenetelmän mukaan ja sitä voidaan käyttää verrattaessa työkaluja keskenään.
- Ilmoitettua tärinän kokonaisarvoa voidaan myös käyttää altistumisen ennakkoarvioinnissa.

HUOMAA: Sähkötyökalun todellisen käytön aikana esiintyvä tärinä voi erota työkalun käytölle ilmoitetusta arvosta. Käyttäjän suojelemiseksi on todellisissa käyttöolosuhteissa käytettävä käsineitä ja kuulosuojaimia.

PAKKAUSLUETTELO

OSAN NIMI	MÄÄRÄ
Pensasleikkuri	1
Terän suoja	1
Käyttäjän käsikirja	1

KUVAUS

OPETTELE TUNTEMAAN PENSASLEIKKURI (kuva A)

1. Kärjen suojus
2. Terä
3. Terän suoja
4. Etukytkinvipu
5. Etukahva
6. Lukituksen vapautuspainike
7. Takakytkinvipu
8. Takakahva
9. U-koukku
10. Liitäntä
11. Käsисуoja
12. Suojalevy

FI

VAROITUS: Tämä tuote on toimitettu täysin koottuna. Käsisuojaa ei koskaan saa poistaa käytön aikana. Jos se vahingoittuu, anna pätevän huoltoteknikon vaihtaa se välittömästi.

VAROITUS: Tuotteen turvallinen käyttö edellyttää työkalussa mainittujen ja tämän käyttäjän käsikirjan tietojen ymmärtämistä ja sen työn tuntemista, johon tuotetta käytetään. Pehdy ennen tuotteen käyttöä kaikkiin toimintoihin ja turvamääräyksiin.

KÄYTTÖ

VAROITUS: Älä anna perehtyneisyyden tuotteeseen saada sinua huolimattomaksi. Muista, että sekunnin murto-osa huolimattomuutta riittää aikaansaamaan vakavan henkilövahingon.

VAROITUS: Käytä aina suojalaseja sivusuojilla sekä kuulosuojaimia. Muussa tapauksessa silmiin voi lentää roskia ja muita mahdollisia vakavia vahinkoja tapahtua.

VAROITUS: Poista akku työkalusta aina, kun kokoat osia, teet muutoksia tai puhdistat laitetta tai kun et käytä sitä.

Näin varmistat, ettei laite käynnisty vahingossa eikä aiheuta vakavia henkilövahinkoja.

VAROITUS: Älä käytä kiinnityskappaleita tai lisävarusteita, joita EGO™ ei ole suositellut. Suosittelemattomien kiinnityskappaleiden tai lisävarusteiden käyttö voi aiheuttaa vakavan henkilövahingon.

Tarkasta ennen jokaista käyttöä koko tuote vaurioituneiden, puuttuvien tai irrallisten osien varalta, joita ovat esim. ruuvit, mutterit, pultit ja suojukset. Kiristä tiukasti kaikki kiinnittimet ja suojukset äläkä käytä tuotetta ennen kuin kaikki puuttuvat tai vaurioituneet osat on korvattu.

Tuotetta voi käyttää sateessa.

AKUN ASENNUS/POISTAMINEN

Käytä vain kuvassa A lueteltujen akkujen ja latureiden kanssa.

Lataa ennen ensimmäistä käyttökertaa.

Asennus (kuva B & C & D)

Kohdista pistokkeen ja pensasleikkurin ▲ -merkit kohdakkain ja työnnä pistoke pensasleikkuriin, kunnes vihreä tiiviste häviää täysin liitäntään.

Kiinnitä akun johto U-koukkuun.

Poistaminen (kuva E)

Vapauta akun johto U-koukusta ja vedä pistoke irti pensasleikkurista.

PENSASLEIKKURIN KÄYNNISTYS/SAMMUTUS

Poista suojus ennen käyttöä ja pidä leikkurista kiinni molemmilla käsillä niin, että toinen käsi tarttuu etukahvaan ja toinen takakahvaan. Tarkista sitten, että seisot tasapainoisesti oikeassa asennossa ja sopivan leikkausmatkan päässä.

VAROITUS: Pidä molemmat kädet aina pensasleikkurin kahvoilla. Älä koskaan pidä kiinni pensaasta yhdellä kädellä ja käytä pensasleikkuria toisella kädellä. Tämän varoituksen huomiotta jättäminen voi aiheuttaa vakavan henkilövahingon.

VAROITUS: Kun pysäytät oksaleikkurin, kytke lukituksen vapautuspainike OFF-asentoon ennen akun poistamista. Tämän varoituksen huomiotta jättäminen saattaa aiheuttaa vakavan henkilövahingon.

Käynnistys

Paina lukituksen vapautuspainike ON-asentoon (kuva F) ja paina sitten takakytkinvipua. Pidä takakytkinvipu painettuna ja käynnistä sitten laite painamalla etukytkinvipua.

Kuvan F osien kuvaus alla:

F-1	Lukituksen vapautuspainike
F-2	Takakytinvipu

Sammutus

Pysäytä vapauttamalla jompikumpi kytkinvivusta ja kääntämällä lukituksen vapautuspainike OFF-asentoon tahattoman käynnistymisen välttämiseksi.

HUOMAA: Molempia kytkinvipuja on painettava, jotta pensasleikkuri käynnistyy.

OTE PENSASLEIKKURISTA

Pida leikkurista kiinni kahdella kädellä niin, että terä osoittaa pois päin sinusta ja siten, että toinen käsi tarttuu etukahvaan ja toinen takakahvaan. Kolme otesuuntaa sopivat erilaisiin leikkaustöihin (kuvat G, H ja I).

PENSASLEIKKURIN KÄYTTÖ

VAROITUS: Jos terä osuu sähköjohtoon tai -kaapeliin, **ÄLÄ KOSKE TERÄÄ! SE SAATTAA JOHTAA SÄHKÖÄ JA OLLA ERITTÄIN VAARALLINEN.** Pidä edelleen pensasleikkurin eristetyistä takakahvasta kiinni tai laske se maahan ja kauas itsestäsi turvallisesti. Irrota vahingoittunut johto tai kaapeli sähköverkosta ennen kuin yrität irrottaa johdon tai kaapelin terästä. Tämän varoituksen huomiotta jättäminen aiheuttaa vakavan vamman.

VAROITUS: Estä vakava henkilövahinko pitämällä kädet etäällä teristä. Älä yritä poistaa leikattua materiaalia tai pitää kiinni leikattavasta materiaalista terien liikkuaessa. Varmista, että terät ovat pysähtyneet kokonaan ja akkuyksikkö on poistettu ennen kuin irrotat kiinnijuuuttunutta materiaalia teristä. Älä tartu näkyvissä oleviin leikkuuteriin tai leikkusuarmiin, kun nostat laitteen tai pidät sitä kädessä.

VAROITUS: Puhdista leikattava alue ennen jokaista käyttöä. Poista kaikki esineet, kuten johdot, valot, vajjerit tai siimat, jotka voivat sotkeutua leikkuuterään ja aiheuttaa vakavan henkilövahingon riskin

VAROITUS: Vältä liiallista trimmausta kerralla tai paksun pensaikon leikkaamista kerralla. Näin vältetään leikkaustehokkuutta vähentävä terien sotkeutuminen ja hidastuminen.

HUOMAA: Uudelle kasvustolle sopii leveä pyyhkäisy, kun varret osuvat suoraan leikkurin terään. Vanhemmalle kasvustolle toimii sahaava liike, joka leikkaa paksumpia varsia paremmin. Suurempien varsien katkaisuun suositellaan käsisahaa tai oksasahaa.

LEIKKAUS YLHÄÄLLÄ

Käytä leveää pyyhkäisyliikettä. Leikkurin terien hienoinen liikkeen suuntaan ja alaspäin osoittava kulma on leikkaustuloksen kannalta paras. Parempaa leikkaustulosta varten voit käyttää lankaa ohjeistamaan aidan yläosan tason kuvan J osoittamalla tavalla.

SIVULEIKKAUS

Kun leikkaat aidan reunoja, aloita alhaalta ja leikkaa ylöspäin kuvan K osoittamalla tavalla.

Terän suojus

Terän suojusta (kuva L) käytetään suojaamaan terän ulkoreunaa.

Terän suoja

Terien ulompi osa on muotoiltu kuten terän suojat (kuva M).

Kuvan M osien kuvaus alla:

M-1	Terä
M-2	Terän suoja

VAROITUS: Tarkista aina, ettei terän suoja ole vahingoittunut eikä vääntynyt. Vaihda se, jos se on taipunut tai vahingoittunut.

HUOLTO

VAROITUS: Käytä huollon yhteydessä vain valmistajan hyväksymiä varaosia. Muiden osien käyttö voi aiheuttaa vaaran tai vahingoittaa tuotetta. Valtuutetun huoltoteknikon tulee suorittaa kaikki korjaukset, jotta voidaan taata tuotteen turvallinen ja luotettava käyttö.

VAROITUS: Irrota vakavien henkilövahinkojen välttämiseksi akkuyksikkö aina tuotteesta, kun puhdistat sitä tai suoritat siihen jonkin huoltotoimenpiteen.

PUHDISTUS

- Poista pehmeällä harjalla lika kaikista ilmanottoaukoista ja leikkuuterästä.
- Poista pihka ja muut tahmeat jätteet suihkuttamalla teriin pihkaa liuottavaa ainetta. Käynnistä moottori hetkeksi siten, että liuotin jakautuu tasaisesti.
- Pyyhi pinta kuivalla liinalla.

VAROITUS: Vältä liuottimien käyttöä, kun puhdistat muoviosia. Useimmat muoviosat ovat herkkiä erilaisten kaupallisten liuottimien vaikutukselle. Käytä puhtaita liinoja esim. lian, pölyn, öljyn ja rasvan poistamiseen.

LEIKKUUTERÄN TEROITTAMINEN

1. Irrota akku pensasleikkurista.
2. AHB6500S/AHB7500S: Kiinnitä teräkokooppa ruuvipenkkiin ja viilaa paljaana oleva leikkuupinta jokaisesta terän hampaasta. Poista mahdollisimman vähän materiaalia. AHB6500/AHB7500 (terän pinnassa "☺" ja "KARKAISTU"): Kiinnitä teräkokooppa ruuvipenkkiin ja teroita paljaana oleva leikkuupinta timanttiviilalla tai alhaisen nopeuden hiomakoneella (pyörimisnopeus <2500 min⁻¹, syöttönopeus <60 mm/min, raekoko >100). Poista mahdollisimman vähän materiaalia.
3. Irrota pensasleikkuri ruuvipenkistä ja säädä teroittaman terä toiselta puolelta.

Toista edellä mainitut toimenpiteet, kunnes kaikki terän hampaat on teroitettu.

FI

HUOMAUTUS: Älä käytä pensasleikkuria tylsällä tai vahingoittuneella terällä. Tämä voi aiheuttaa laitteen ylikuormittamisen ja huonon leikkauksijäljen.

HUOMAUTUS: Normaalia metalliviilaa ei saa käyttää AHB6500/AHB7500-erikoisterän teroittamiseen.

HUOMAUTUS: Käytettäessä alhaisen nopeuden hiomakoneetta (pyörimisnopeus <2500 min⁻¹) leikkuuterän teroittamiseen, kastele terän hampaata vedellä jatkuvasti hionnan aikana.

PENSASLEIKKURIN VOITELU

VAROITUS: Älä voitele, jos pensasleikkuri on vielä yhdistettynä akkuun tai se on käynnissä.

TERÄN VOITELU

Parhaan toimivuuden ja terän pitkän käyttöiän takaamiseksi pensasleikkurin terä on voideltava kevyellä koneöljyllä ennen jokaista käyttökertaa ja jokaisen käyttökerran jälkeen.

Irrota akku ja aseta leikkuri tasaiselle pinnalle. Levitä öljyä pitkin yläterän reunaa (kuva N).

VAIHTEISTOKOTELON VOITELU

Parhaan toimivuuden ja pitkän käyttöiän takaamiseksi voitele pensasleikkurin vaihteistokotelo erikoisrasvalla (5-6 g nro 1 ja 10-12 g nro 2 joka kerta) 50 käyttötunnin välein.

Erikoisrasvan on täytettävä seuraavat vaatimukset.

1. Kuuluttava DIN 51818: NLGI-2 kartion tunkeutumislukkaan.

2. Koostua polyureaseaketusaineista + synteettisestä voiteluöljystä
3. Erinomainen alhaisen lämpötilan käynnistys, EP, mekaaninen leikkaus, hankauksen kestävyys ja hapettumisenkestävyysominaisuudet
4. Käyttölämpötilan on oltava -40~180°C.

Irrota akun pistoke ja kaksi tiivistysruuvia (kuva O). Vaihteistokotelon voitelu voitelureiän kautta.

HUOMAUTUS: älä täytä vaihdelaatikkoa täyteen rasvalla.

KULJETUS JA VARASTOINTI

- Laita aina suojus terän päälle ennen kuin varastoit pensasleikkurin tai kuljetat sitä. Varo terän teräviä hampaita.
- Puhdista pensasleikkuri perusteellisesti ennen varastointia.
- Säilytä pensasleikkuria sisätiloissa kuivassa paikassa, johon lapset eivät pääse.
- Pidä syövyttävien aineiden, kuten puutarhakemikaalien ja tiesuolan, ulottumattomissa.

VAROITUS: Terät ovat teräviä. Kun käsittelet teräjärjestelmää, käytä liukumisen estäviä, kestäviä suojakäsineitä. Älä laita kättä tai sormia terien väliin tai muuhun paikkaan, jossa ne voivat jäädä puristuksiin tai leikkautua. Älä KOSKAAN kosketa teriä tai huolla laitetta, kun akkuyksikkö on asennettuna.

Ympäristönsuojelu



Älä hävitä sähkölaitteita, akkua tai akkua/ladattavia paristoja kotitalousjätteen seassa! Vie tämä tuote hyväksytyyn kierrätyspaikkaan tai anna se erilliseen keräilyyn. Sähkötyökalut tulee palauttaa asianmukaiseen ympäristöstävälliseen kierrätyslaitokseen.

VIANETSINTÄ

ONGELMA	SYY	RATKAISU
Pensasleikkuri ei toimi.	<ul style="list-style-type: none"> Akkua ei ole liitetty pensasleikkuriin tai pensasleikkurin ja akun välillä ei ole sähkökontaktia. 	<ul style="list-style-type: none"> Liitä akun pistoke uudelleen pensasleikkuriin.
	<ul style="list-style-type: none"> Akkuyksikkö on tyhjä. 	<ul style="list-style-type: none"> Lataa akku määritetyllä laturilla.
	<ul style="list-style-type: none"> Lukituksen vapautuspainiketta ei ole painettu ON-asentoon ennen kytkinvipujen painamista. 	<ul style="list-style-type: none"> Varmista, että lukituksen avauspainike on avattuna ennen leikkurin käyttämistä.
	<ul style="list-style-type: none"> Akku tai pensasleikkuri on liian kuuma. 	<ul style="list-style-type: none"> Anna akun tai pensasleikkurin jäähtyä, kunnes lämpötila on normaali.
	<ul style="list-style-type: none"> Terä on juuttunut kiinni. 	<ul style="list-style-type: none"> Irrota akku työkalusta. Irrota tukos varovasti, aseta sitten akku takaisin ja käynnistä työkalu uudelleen.
	<ul style="list-style-type: none"> Pensasleikkurin on ylikuormittunut. 	<ul style="list-style-type: none"> Vähennä koneen kuormitusta.
Merkittävä värinä tai äänentaso.	<ul style="list-style-type: none"> Kuivat tai syöpyneet terät. 	<ul style="list-style-type: none"> Voitele terät.
	<ul style="list-style-type: none"> Terät tai terien tuki on taipunut. 	<ul style="list-style-type: none"> Vaihda uusi terä tai tuki. Ota yhteys EGO-huoltokeskukseen terän tai tuen vaihtamiseksi.
	<ul style="list-style-type: none"> Taipunut tai vaurioitunut hammas. 	<ul style="list-style-type: none"> Vaihda uusi terä. Ota yhteys EGO-huoltokeskukseen terän vaihtamiseksi.
	<ul style="list-style-type: none"> Löystyneet terän pultit. 	<ul style="list-style-type: none"> Kiristä terän pultit. Kiristä kääntämällä pulttia myötäpäivään kiintoavaimella.

FI

TAKUU

EGO-TAKUUKÄYTTÄNTÖ

Katso verkkosivuilta osoitteesta egopowerplus.eu EGO-takuukäytännön ehdot ja edellytykset kokonaisuudessaan

LES ALLE INSTRUKSJONER!



LES BRUKERHÅNDBOKEN

⚠ ADVARSEL: For sikre både sikkerheten og påliteligheten, skal alle reparasjoner utføres av en kvalifisert servicetekniker.

SIKKERHETSSYMBOLER

Formålet med sikkerhetssymbolene er å trekke oppmerksomheten din mot mulige faresituasjoner. Sikkerhetssymbolene og forklaringene krever din fulle oppmerksomhet og forståelse. Symbolvarslene eliminerer ikke farer på egen hånd.

NO

Instruksjonene og advarslene som finnes i dem er ikke erstatninger for passende ulykkesforebyggende tiltak.

⚠ ADVARSEL: Sørg for å lese og forstå alle sikkerhetsanvisningene i denne bruksanvisningen, inkludert alle sikkerhetsvarselssymboler så som «FARE», «ADVARSEL» og «FORSIKTIG» før du bruker dette verktøyet. Hvis du ikke følger alle instruksjonene nedenfor, kan det føre til elektriske støt, brann og/eller alvorlig personskade.

SYMBOLFORKLARINGER

SIKKERHETSSYMBOL: Indikerer **FARE**, **ADVARSEL** eller **FORSIKTIG**. Kan brukes sammen med andre symboler eller piktogrammer.

⚠ ADVARSEL: Bruk av hvilke som helst elektroverktøy kan føre til at fremmedlegemer blir kastet mot øynene, og dette kan føre til alvorlig øyeskader. Før du begynner å bruke elektroverktøyet, skal du alltid bruke vernebriller eller vernebriller med sidebeskyttelse, og en full ansiktsskjerm der det trengs. Vi anbefaler en Wide Vision Safety Mask til bruk over briller, eller standard vernebriller med sidebeskyttelse.

SIKKERHETSINSTRUKSJONER

Denne siden viser og beskriver sikkerhetssymboler som finnes på produktet. Les, forstå og følg alle instruksjoner på maskinen før begynner montering og bruk.

	Sikkerhetsvarsel	Angir en fare for mulig personskade.
	Les bruksanvisningen	For å redusere risikoen for skader, må brukeren lese bruksanvisningen.
	Hold hender og føtter unna skjæreverktøyet	Du må aldri betjene elektroverktøyet bare med én hånd. Hvis du ikke har kontroll på verktøyet, kan det føre til alvorlige skader eller dødsulykke. For å redusere risikoen for skader må du holde hender og føtter unna skjæreverktøyet. Mens verktøyet er i bevegelse, må du unngå å ta på det eller komme borti det med andre deler av kroppen.
	Bruk vernebriller	Bruk alltid vernebriller eller vernebriller med sidebeskyttelse, og full ansiktsskjerm når du bruker dette produktet.
	Støy	Garantert lydeffektivnivå. Støyutslippene til omgivelsene overholder kravene i EF-direktivet.
	CE	Dette produktet er i samsvar med gjeldende EF-direktiver.
	UKCA	Dette produktet er i samsvar med gjeldende britisk lovgivning.
	Elektrisk og elektronisk avfall	Elektrisk avfall må ikke kastes sammen med husholdningsavfall. Innlever det ved en godkjent gjenvinningsstasjon.
	Bladlengde	Lengden av bladet
	Kuttekapasitet	Max. Kuttekapasiteten til bladet
	IP-symbol	Beskyttelse mot vannstråler
	Volt	Spenning

	Likestrøm	Type eller karakteristikk for spenningen
.../min	Per minutt	Omdreiningar pr. minutt
mm	Millimeter	Lengde eller størrelse
cm	Centimeter	Lengde eller størrelse
n_0	Hastighet uten last	Rotasjonshastighet, uten last

GENERELLE SIKKERHETSADVARSLER FOR ELEKTROVERKTØY

⚠ ADVARSEL: Gjør deg kjent med alle sikkerhetsadvarslene, instruksjonene, illustrasjonene og spesifikasjonene som følger med dette elektroverktøyet. Manglende etterlevelse av alle instruksjonene under kan resultere i elektrisk støt, brann og/eller alvorlig skade.

Ta vare på alle advarsler og instruksjoner for fremtidig bruk.

Betegnelsen “elektroverktøy” i advarslene refererer til hovednett-drevne (med ledning) elektroverktøy eller batteridrevne (trådløs) elektroverktøy.

SIKKERHET I ARBEIDSRÅDET

- **Hold arbeidsområdet rent og godt opplyst.** Rotete eller mørke områder inviterer til ulykker.
- **Ikke bruk maskinen i eksplosjonsfarlige atmosfærer, for eksempel der det finnes brennbare væsker, gasser eller støv i nærheten.** Elektroverktøyet lager gnister som kan antenne støv eller damper.
- **Hold barn og andre personer unna når elektroverktøyet er i bruk.** Distraksjoner kan føre til at du mister kontrollen.

ELEKTRISK SIKKERHET

- **Støpselet til verktøyet må passe inn i stikkkontakten. Støpselet må ikke forandres på noen måte. Ikke bruk adapterstøpsler sammen med jordede elektroverktøy.** Umodifiserte støpsler og passende stikkontakter reduserer risikoen for elektrisk støt.
- **Unngå kroppskontakt med jordete overflater så som rør, radiatorer, komfyrer og kjøleskap.** Det er økt risiko for elektrisk støt hvis kroppen din er jordet.
- **Ikke utsett elektroverktøy for regn eller våte forhold.** Kommer det vann inn i et elektroverktøy, øker risikoen for elektriske støt.
- **Ledningen fra batteripakken må behandles med**

varsomhet. Bruk aldri ledningen til å bære, trekke i eller koble fra elektroverktøyet. Hold ledningen på avstand fra varme, olje, skarpe kanter og bevegelige deler. Skadete eller sammenviklede ledninger øker risikoen for elektrisk støt.

- **Når du bruker et elektroverktøy utendørs, må du bruke skjøteledning som er godkjent for utendørs bruk.** Bruk av en ledning som er egnet for utendørs bruk, reduserer risikoen for elektriske støt.
- **Hvis du er nødt til å bruke et elektroverktøy i fuktige omgivelser, skal du bruke en reststrømsbeskyttet strømforsyning.** Bruk av jordfeilbryter reduserer risikoen for elektriske støt.

PERSONLIG SIKKERHET

- **Vær oppmerksom, pass på hva du gjør og bruk sunn fornuft når du bruker elektroverktøy. Ikke bruk elektroverktøy når du er trøtt eller er påvirket av narkotika, alkohol eller medikamenter.** Et øyeblikks uoppmerksomhet ved bruk av elektroverktøy kan føre til alvorlige personskader.
- **Bruk personlig verneutstyr. Bruk alltid vernebriller.** Verneutstyr som støvmasker, sklislire vernesko, hjelm eller hørselsvern i egnede forhold reduserer risikoen for personskader.
- **Unngå utilsiktet start. Pass på at bryteren er i av-stilling før du kobler til strømkilden og/eller batteripakken, plukker opp eller bærer verktøyet.** Å bære elektroverktøy med fingeren på bryteren eller å slå på verktøy som har bryteren på er å invitere til ulykker.
- **Fjern eventuelle justeringsnøkler før du slår på elektroverktøyet.** Et verktøy eller en nøkkel som sitter igjen i en roterende del av elektroverktøyet kan føre til personskade.
- **Ikke strekk deg over. Pass på å ha skikkelig fotfeste og balanse til enhver tid.** Dette muliggjør bedre kontroll over elektroverktøyet i uventede situasjoner.
- **Kle deg riktig. Ikke bruk løstsittende klær eller smykker. Hold hår og klær på avstand fra bevegelige deler.** Løse klær, smykker eller langt hår kan sette seg fast i bevegelige deler.
- **Hvis det følger med utstyr for tilkobling av støvavsug og oppsamlingsutstyr, må du påse at disse er tilkoblet og brukes på korrekt måte.** Bruk av støvopsamlingsutstyr kan redusere støvrelaterte farer.
- **Selv om du opparbeidet deg erfaring gjennom**

NO

hyppig bruk av verktøyet, må du alltid være årvåken og følge sikkerhetsinstruksjonene. Et ørlite øyeblikks uoppmerksomhet er alt som skal til for at alvorlige personskader kan oppstå.

BRUK AV OG OMSORG FOR ELEKTROVERKTØY

- **Ikke legg press på elektroverktøyet. Bruk et elektroverktøy som er egnet for det du skal gjøre.** Et egnet elektroverktøy vil gjøre jobben på en bedre og tryggere måte, i den hastigheten verktøyet er konstruert for.
- **Ikke bruk elektroverktøyet hvis bryter ikke slår det på og av.** Elektroverktøy som ikke kan kontrolleres med bryteren, er farlig og må repareres.
- **Koble støpselet fra strømtak og/eller ta batteripakken ut av verktøyet dersom dette er mulig, før du foretar justeringer, skifter tilbehørsdeler eller setter elektroverktøyet til oppbevaring.** Slike forebyggende sikkerhetstiltak reduserer risikoen for at verktøyet starter ved et uhell.
- **Oppbevar elektroverktøy utilgjengelig for barn, og ikke la personer som ikke er kjent med verktøyet eller disse instruksjonene betjene maskinen.** Elektroverktøy er farlige når de brukes av uerfarne personer.
- **Vedlikehold elektroverktøy og tilbehør. Kontroller at bevegelige deler ikke er feiljustert eller blokkert, og at ingen deler er skadet, og forsikre deg om at det ikke finnes andre problemer som kan påvirke bruken av elektroverktøyet. Hvis elektroverktøyet er skadet, må du få det reparert før du bruker det.** Mange ulykker forårsakes av elektroverktøy som ikke er godt vedlikeholdt.
- **Hold kutteverktøyet skarpt og rent.** Riktig vedlikehold av kutteverktøy med skarpe kanter gjør at det er mindre sannsynlighet for oppbinding, og at det er lettere å kontrollere.
- **Bruk elektroverktøy, tilbehør, verktøy-bits, osv. i henhold til disse anvisningene, og ta hensyn til arbeidsforholdene og arbeidet som skal utføres.** Bruk av elektroverktøy til andre formål enn det som er angitt kan føre til farlige situasjoner.
- **Hold håndtakene og gripeflatene tørre, rene og fri for olje og fett.** Glatte håndtak og gripeflater vil gjøre det vanskelig å kontrollere verktøyet og håndtere det på en sikker måte i uventede situasjoner.

BRUK AV OG OMSORG FOR BATTERIVERKTØY

- **Lades bare med ladere som er spesifisert av produsenten.** En lader som passer for én type batteripakke kan skape fare for brann når den brukes

med andre batteripakker.

- **Elektroverktøyet skal bare brukes med den spesifiserte batteripakken.** Bruk av andre batteripakker kan skape risiko for skader og brann.
- **Når batteriet ikke er i bruk, skal det holdes unna andre metallgjenstander så som binders, mynter, nøkler, spikere, skruer eller andre små metallgjenstander som kan lage forbindelse fra én terminal til en annen.** Kortslutning av batteripolene kan forårsake brannskader eller brann.
- **Under skadelige forhold, kan væske kastes ut fra batteriet. Unngå kontakt. Hvis kontakt oppstår ved uhell, skyll med vann. Hvis man får væske i øynene, skal det i tillegg søkes medisinsk hjelp.** Væske som blir kastet ut av batteriet kan forårsake irritasjon eller brannskader.
- **Følg alle ladeinstruksjonene, og ikke lad batteripakken eller verktøyet utenfor temperaturområdet som er angitt i instruksjonene.** Hvis batteriet lades på feil måte eller ved temperaturer som er utenfor det angitte området, kan batteriet bli skadet og brannrisikoen øke.
- **Ikke bruk en batteripakke eller et verktøy som er skadet eller modifisert.** Skadde eller modifiserte batterier kan oppføre seg uforutsigbart og medføre brann, eksplosjon eller risiko for personskade.
- **Ikke eksponer en batteripakke eller verktøyet for flammer eller svært høye temperaturer.** Eksponering for flammer eller temperaturer over 100 C kan forårsake eksplosjon.

SERVICE

- **Få elektroverktøyet reparert av et kvalifisert serviceverksted, som kun bruker identiske reservedeler.** Dette gjør at sikkerheten til elektroverktøyet opprettholdes.
- **Forsøk aldri å reparere en skadet batteripakke.** Service på batteripakker må bare utføres av produsenten eller autoriserte tjenesteleverandører.

SIKKERHETSADVARSLER FOR HEKKSAXSEN

- **Hold alle deler av kroppen borte fra kutterbladet. Ikke fjern avkuttet materiale eller hold materialet som skal kuttes når bladene er i bevegelse. Kontroller at bryteren er slått av når du fjerner fastkjørt materiale.** Et øyeblikks uoppmerksomhet ved bruk av hekksaksen kan føre til alvorlig personskade.
- **Bær hekksaksen i håndtaket, med kutterbladet stoppet.** Ved transport eller lagring av hekksaksen, skal dekslet alltid settes på kutterenheten. Riktig håndtering av hekksaksen vil redusere mulig personskade fra kutterbladet.
- **Elektroverktøyet skal bare holdes i de isolerte**

gripeflatene, fordi kniven kan komme i kontakt med skjult kabling. Kutterblader som kommer i kontakt med en strømsatt ledning kan gjøre synlige metalldele av elektroverktøyet strømførende, og gi operatøren elektrisk støt.

- **Hold batterikabelen på avstand fra kutteområdet.** Under bruk kan det være vanskelig å se kabelen blant bladene og greinene, og den kan dermed bli skåret over ved et uhell.
- Sjekk om det finnes fremmedlegemer i hekken før du begynner, f.eks. ståltrådgjerdere.
- Bruk bare hekksaksen når skjermen er riktig montert. Bruk av hekksaksen uten riktig skjerm kan føre til alvorlige personskader!
- **Bruk begge hender når du bruker hekksaksen. Bruk med én hånd kan føre til tap av kontroll og alvorlige personskader.**

VIKTIGE SIKKERHETSINSTRUKSJONER

- Ikke lad batteriet i regn eller på våte steder.
- Batteripakken må fjernes fra apparatet før det kasseres.
- Ikke ta tak i eksponerte kutterblader eller kutterkanter når du plukker opp eller holder hekksaksen.
- Skal ikke brukes på stige, tak, i trær eller en andre ustabile steder. Stabil fotfeste på et fast underlag muliggjør bedre styring av hekksaksen i uventede situasjoner.
- La aldri barn bruke hekksaksen.
- Sikkerhetsstyr skal aldri fjernes eller tukles med. Sjekk regelmessig at driften er riktig. Aldri gjøre noe for å forstyrre den tiltenkte funksjonen til en sikkerhetsanordning, eller for å redusere beskyttelsen som en sikkerhetsanordning gir.
- Sjekk bladet og motorfesteboltene ofte, for å se at de er riktig strammet. Blader skal også inspiseres visuelt blad for skader (f.eks. bøyning, sprekker og slitasje). Bladet skal bare byttes med et blad fra EGO™.
- Bytt bladet hvis det er bøyd eller sprukket. Et ubalansert blad gir vibrasjoner som kan skade motorens drivenhet eller forårsake personskader.
- Hvis utstyret begynner å vibrere unormalt, må motoren stoppes og sjekkes umiddelbart, for å finne årsaken.
- Trimmeren skal brukes til å kutte stikler som er mindre enn (33 mm) tykke.
- Ikke vask med hageslange; unngå å få vann i motoren og i elektriske kontakter.
- Følg instruksjonene for smøring og bytte av tilbehør.
- Hold håndtakene tørre, rene og frie for olje og fett.

- Ta vare på disse instruksjonene. Referer til dem ofte, og bruk dem til å instruere andre som kan komme til å bruke verktøyet. Hvis du låner ut verktøyet til noen andre, må de også få låne disse instruksjonene, for å hindre feilbruk av produktet og mulige skader.

TA VARE PÅ DISSE INSTRUKSJONENE!

SPESIFIKASJONER

Spenning	56 V	56 V	
Bladhastighet	1800 /min	1800 /min	
Bladlengde	65 cm	75 cm	
Kuttekapasitet	31 mm	31 mm	
Verktøyvekt	4,1 kg	4,2 kg	
Anbefalt driftstemperatur	0°C-40°C	0°C-40°C	
Anbefalt lagringstemperatur	-20°C-70°C	-20°C-70°C	
Målt lydeffektnivå L_{WA}	90,1 dB(A) K=2,9 dB(A)	95,4 dB(A) K=1,52 dB(A)	
Lydtryknivå ved brukerens øre L_{PA}	80,1 dB(A) K=3 dB(A)	83,9 dB(A) K=2,5 dB(A)	
Garantert lydeffektnivå L_{WA} (i henhold til 2000/14/EF)	93 dB(A)	97 dB(A)	
Vibrasjon a_h	Bakre håndtak	3,2 m/s ² K=1,5 m/s ²	2,872 m/s ² K=1,5 m/s ²
	Fronthåndtak	3,9 m/s ² K=1,5 m/s ²	3,536 m/s ² K=1,5 m/s ²

- Den deklarerte totale vibrasjonsverdien er målt i overensstemmelse med en standard testmetode, og kan brukes til å sammenligne ett verktøy med et annet;
- Den deklarerte totale vibrasjonsverdien kan også brukes i en foreløpig vurdering av eksponering.

MERK: Vibrasjoner under faktisk bruk av elektroverktøyet kan variere fra den opplyste verdien der verktøyet brukes; For å beskytte brukeren, skal det brukes hansker og hørselsvern under de faktiske bruksforholdene.

PAKKELISTE

NAVN PÅ DEL	MENGDE
Hekktrimmer	1
Skjerm	1
Bruksanvisning	1

BESKRIVELSE

KJENN HEKKSAXEN DIN (fig. A)

1. Tuppbeskytter
2. Blad
3. Bladskjerm
4. Fremre bryterspak
5. Fronthåndtak
6. Låseknapp
7. Bakre bryterspak
8. Bakre håndtak
9. «U»-krok
10. Kontakt
11. Håndskjerm
12. Skjerm

⚠ ADVARSEL: Dette produktet leveres ferdig montert. Håndskjermen må ikke fjernes under bruk. Hvis den blir skadet, må den byttes umiddelbart av en kvalifisert servicetekniker.

⚠ ADVARSEL: Sikker bruk av dette produktet krever at man forstår informasjonen på verktøyet og i bruksanvisningen, samt at man har kjennskap til prosjektet du prøver deg på. Før bruk av dette produktet, må man gjøre seg kjent med alle driftsfunksjonene og sikkerhetsreglene.

DRIFT

⚠ ADVARSEL: Ikke la fortrolighet med dette produktet gjøre deg uforsiktig. Husk at et uforsiktig tiendedel av et sekund er nok til å forårsake alvorlige skader.

⚠ ADVARSEL: Bruk alltid vernebriller med sidebeskyttelse, og hørselsvern. Unnlattelse av å gjøre dette kan resultere i at gjenstander som blir kastet kommer inn i øynene, og andre mulige og alvorlige skader.

⚠ ADVARSEL: For å hindre utilsiktet start som kan føre til alvorlig personskade, skal batteripakken alltid tas ut av verktøyet når du monterer deler, gjør justeringer, rengjør, eller når verktøyet ikke er i bruk.

⚠ ADVARSEL: Ikke bruk eventuelle tilsatser eller tilbehør som ikke er anbefalt av EGO™. Bruk av tilbehør eller deler som ikke er anbefalt kan føre til alvorlige personskader.

Før hver bruk skal hele produktet forinspiseres for skader, mangler eller løse deler, for eksempel skruer, muttere, bolter, heter, osv. Trekk til alle festene og hettene godt, og ikke bruk dette produktet før alle manglende eller skadede deler har blitt byttet.

Produktet kan brukes i regn.

INSTALLERING/FJERNING AV BATTERIPAKKEN

Bruk kun med batteripakker og ladere som oppført i fig. A.

Lad opp før første gangs bruk.

Installering (fig. B & C & D)

Posisjoner ▲ -symbolet på støpselet og trimmeren mot hverandre, og plugg støpselet inn i hekktrimmeren til den grønne pakningen har forsvunnet helt inn i kontakten.

Fest batteriledningen i «U»-kroken.

Fjerning (fig. E)

Løsne batteriledningen fra «U»-kroken, og trekk støpselet ut av hekktrimmeren.

START/STOPP AV HEKKSAXEN

Før du bruker trimmeren, må du fjerne beskytteren og holde trimmeren med begge hender – én hånd på det bakre håndtaket og én på det fremre håndtaket. Påse deretter at du har stabilt fotfeste og står i rett stilling med riktig kutteavstand.

⚠ ADVARSEL: Hold alltid begge hendene på håndtakene på hekksaksen. Ikke hold busker med den ene hånden og kjø hekksaksen med den andre. Unnlattelse av å følge denne advarselen, kan føre til alvorlige skader.

⚠ ADVARSEL: Når du stanser hekktrimmeren, må du sette låseknappen i «OFF»-posisjonen før du fjerner batteripakken. Hvis du ikke følger denne advarselen, kan det føre til alvorlig personskade.

For å starte

Skvylåseknappen til «ON»-posisjonen (fig. F), og trykk deretter inn den bakre bryterspaken. Mens du holder den bakre bryterspaken trykket inn, trykker du inn den fremre bryterspaken for å starte blåseren.

Se delebeskrivelsen for fig. F nedenfor:

F-1	Låseknapp
F-2	Bakre bryterspak

For å stoppe

Slipp ut en av de to spakene for å stanse blåseren, og sett låseknappen i «OFF»-posisjonen for å hindre utilsikket oppstart.

MERK: Både bryterspakene må trykkes for at hekksaksen skal starte.

HOLDING AV HEKSTRIMMEREN

Vend bladet vekk fra deg, og hold trimmeren med to hender, slik at det fremre og det bakre håndtaket holdes i hver sin hånd. Tre holderetninger passer for ulike klippeoperasjoner (fig. G, H og I).

BRUKE HEKKSAXSEN

⚠ ADVARSEL: Hvis bladet kjører seg fast i en elektrisk kabel eller ledning, **MÅ DU IKKE BERØRE BLADET! DET KAN BLI STRØMFØRENDE OG MEGET FARLIG.** Fortsett å holde hekktrimmeren i det isolerte bakre håndtaket, eller legg den ned og bort fra deg på en sikker måte. Koble fra strømtilførselen til den skadde kabelen eller ledningen før du forsøker å frigjøre bladet fra kabelen eller ledningen. Hvis du ikke etterlever denne advarselen, kan det føre til alvorlig personskade eller mulig død.

⚠ ADVARSEL: For å unngå alvorlig personskade, skal hendene alltid holdes borte fra bladene. Ikke forsøk å fjerne løse materialer eller holde i materialer som skal kuttes når bladene er i bevegelse. Pass på at bladene har stoppet helt og at batteripakken fjernes før du fjerner fastkjørt materiale fra bladene. Ikke ta tak i eksponerte kutterblader eller kutterkanter når du plukker opp eller holder enheten.

⚠ ADVARSEL: Rydd området som skal skjæres før hver bruk. Fjern alle objekter, for eksempel ledninger, lys, kabler eller streng som kan vikle seg inn i skjærebladet og skape fare for alvorlig personskade.

⚠ ADVARSEL: Unngå å trimme for mye på en gang, eller gjennom tunge buskas. Dette kan føre til at bladene bindes opp og blir langsomme, noe som reduserer kutteeffektiviteten.

MERK: For ny vekst er en bred, sveipende bevegelse for å mate stilkene direkte inn i kutterbladet. For eldre vekst er en sagende bevegelse bra for trimming av tykkere stilker. Ikke-drevne håndsager eller beskjærings-sager anbefales for å trimme store stammer først.

Topppklipping

Bruk en bred, sveipende bevegelse. En svak nedadgående vinkel på bladene i bevegelsesretningen gir best kutteresultat. For bedre kutteeffekt, kan du like godt bruke strengen til å guide hekkknivået som vist i fig. J.

Sidekutting

Når man trimmer hekksidene, begynner man nederst og klipper oppover som vist i fig. K.

Tuppbeskytter

Tuppbeskytteren (fig. L) brukes til å beskytte den ytre enden av bladet. **Bladskjerm**

Den ytre delen av bladene er formet som bladbeskyttere (fig. M).

Se delebeskrivelsen for fig. M nedenfor:

M-1	Blad
M-2	Bladskjerm

⚠ ADVARSEL: Kontroller alltid at bladbeskytteren ikke er skadet eller forvrengt. Bytt den hvis den er bøyd eller skadet.

VEDLIKEHOLD

⚠ ADVARSEL: Ved service skal det bare brukes originale reservedeler. Bruk av andre deler kan forårsake farer eller skader på produktet. For sikre både sikkerheten og påliteligheten, skal alle reparasjoner utføres av en kvalifisert servicetekniker.

⚠ ADVARSEL: For å unngå alvorlige personskader, skal batteripakken alltid tas ut fra produktet når du rengjør eller utfører vedlikehold.

RENGJØRING

- Bruk en myk børste til å fjerne smuss fra alle luftinntak og fra kutterbladet.
- For å fjerne bek og andre klissete rester, sprayes bladene med harpiks-løsemiddel. Kjør motoren en kort stund, slik at løsningsmidlet blir jevnt fordelt.
- Tørk overflaten med en tørr klut.

NO

⚠ ADVARSEL: Unngå å bruke løsemidler når plastdeler skal rengjøres. De fleste plasttyper er utsatt for skader fra ulike typer kommersielle løsemidler. Bruk rene kluter for å fjerne skitt, støv, olje, fett, osv.

SLIPING AV KUTTEBLADET

1. Fjern batteripakken fra hekkesaksen.
2. AHB6500S/AHB7500S: Klem bladsammensetningen i en skruestikk og slip den eksponerte kutteflaten til hver bladtann. Fjern så lite materiale som mulig. AHB6500/AHB7500 (med "E" and "HARDENED" på bladoverflaten): Fest bladsammenstillingen i en skrustikke og slip den eksponerte kutteflaten med en diamantfil eller benkslipemaskin med lav hastighet (Turtall<2500 min⁻¹, matehastighet<60 mm/min, Finhetsgrad>100). Fjerne så lite materiale som mulig.
3. Fjern hekkesaksen fra skruestikken og juster det uskarpe bladet på den andre siden som er utsatt.

Gjenta de ovennevnte prosedyrene til alle bladtennene er slipt skarpe.

MERK: Ikke bruk hekkesaksen med sløve eller skadede kutteblader. Dette kan forårsake overbelastning og vil gi utilfredsstillende klipperesultater.

MERK: En vanlig skal ikke benyttes til å slippe AHB6500/AHB7500 spesialblad.

MERK: Når du bruker en lavhastighetssliper (Turtall <2500 min⁻¹) for å slippe kuttebladet, må du fortsette å vanne bladtennene kontinuerlig under sliping.

SMØRING AV HEKKESAKSEN

⚠ ADVARSEL: Ikke smør hekkesaksen mens den er koblet til batteriet eller er i gang.

Smøring av bladet

For best mulig drift og lengre levetid for bladene, smør hekkesaksbladet med en lett maskinolje før og etter hver bruk.

Ta ut batteriet og legg hekkesaksen på en flat overflate. Påfør oljen langs kanten av toppbladet (Fig. N).

Smøring av girkassen

For best mulig drift og lengre levetid, smør girkassen til hekkesaksen med et spesialfett (5-6g i #1 og 10-12g i #2 hver gang) etter hver 50. driftstime.

Spesialfettet må oppfylle følgende krav.

1. Tilhører DIN51818: NLGI-2 penetrasjonsgrad.
2. Består av polyureafortykningmidler + syntetisk

smøreolje

3. Utmerket lavtemperaturoppstart, EP, mekanisk skjæring, slitestyrke og oksidative stabilitetsegenskaper.

4. Driftstemperaturen må være -40~180°C.

Fjern batteripluggen og de to tetningsskruene (fig. O). Smøring av girkassen gjennom olje-hullet.

MERK: Ikke fyll girhuset helt med fett.

TRANSPORT OG LAGRING

- Plasser alltid beskytteren på bladet før du lagrer eller transporterer hekktrimmeren. Vær nøye med å unngå de skarpe tennene på bladet.
- Rengjør hekkesaksen grundig før lagring.
- Oppbevar hekkesaksen innendørs, på et tørt sted som er utilgjengelig for barn.
- Holdes vekk fra etsende midler, for eksempel hagekjemikalier og avisingsssalter.

⚠ ADVARSEL: Bladene er skarpe. Når du håndterer bladenheten, skal det brukes skliskre, tunge vernehansker. Ikke plasser hånden eller fingrene mellom bladene eller i noen posisjon der de kan bli klemt eller kuttet. ALDRI ta på bladene eller utfør vedlikehold på enheten med batteripakken installert.

Beskytt miljøet



Elektrisk utstyr, brukte batterier og batteriladere må ikke kastes i husholdningsavfallet! Ta med dette produktet til autorisert gjenvinning, og gjør det tilgjengelig for separat innsamling. Elektriske verktøy må returneres til et miljøvennlig gjenvinningsanlegg.

FEILSØKING

PROBLEM	ÅRSAK	LØSNING
Hekksaksen virker ikke.	<ul style="list-style-type: none"> Batteripakken er ikke koblet til hekktrimmeren, eller det er ingen elektrisk kontakt mellom hekktrimmeren og batteriet. 	<ul style="list-style-type: none"> Plugg batteristøpset inn i hekktrimmeren igjen.
	<ul style="list-style-type: none"> Batteripakken er tom. 	<ul style="list-style-type: none"> Lad opp batteripakken med den spesifiserte laderen.
	<ul style="list-style-type: none"> Låseknappen er ikke skjøvet til «ON»-posisjonen før bryterspakene trykkes inn. 	<ul style="list-style-type: none"> Før du bruker trimmeren, må du sjekke at låseknappen er ulåst.
	<ul style="list-style-type: none"> Batteripakken eller hekktrimmeren er for varm. 	<ul style="list-style-type: none"> La batteripakken eller hekktrimmeren kjøle seg ned til normal temperatur.
	<ul style="list-style-type: none"> Bladet har kjørt seg fast. 	<ul style="list-style-type: none"> Fjern batteripakken fra verktøyet. Fjern blokkeringen med varsomhet før du fester batteriet igjen og starter opp verktøyet.
	<ul style="list-style-type: none"> Hekktimmeren er overbelastet. 	<ul style="list-style-type: none"> Reduser belastningen på maskinen.
Overdreven vibrasjon og støy.	<ul style="list-style-type: none"> Tørre eller korroderte blader. 	<ul style="list-style-type: none"> Smør bladene.
	<ul style="list-style-type: none"> Bladene eller bladstøttene er bøyd. 	<ul style="list-style-type: none"> Bytt ut med et nytt blad eller en ny bladholder. Kontakt et EGO-servicesenter for å få byttet ut bladet eller bladholderen.
	<ul style="list-style-type: none"> Bøyde eller ødelagte tenner. 	<ul style="list-style-type: none"> Bytt ut med et nytt blad. Kontakt et EGO-servicesenter for å få byttet ut bladet
	<ul style="list-style-type: none"> Løse bladbolter. 	<ul style="list-style-type: none"> Stram bladboltene. Bruk en skiftenøkkel, og skru bolten med klokken for å stramme den.

NO

GARANTI

EGOs GARANTIREGLER

Besøk nettsiden egopowerplus.eu for å se fullstendige vilkår og betingelser for EGO-garantireglene.

ПРОЧИТАЙТЕ ВСЕ ИНСТРУКЦИИ!



ПРОЧИТАЙТЕ РУКОВОДСТВО ПОЛЬЗОВАТЕЛЯ

⚠ ПРЕДУПРЕЖДЕНИЕ. Чтобы обеспечить безопасность и надежность устройства, его ремонт и замену частей должен выполнять квалифицированный специалист.

СИМВОЛЫ БЕЗОПАСНОСТИ

Символы безопасности предназначены для привлечения внимания к возможным рискам. Символы безопасности, а также объяснения к ним, требуют особого внимания и понимания. Предупреждения по технике безопасности сами по себе не устраняют опасность.

RU

Инструкции и предупреждения не заменяют соответствующие меры по предотвращению несчастных случаев.

⚠ ПРЕДУПРЕЖДЕНИЕ. Перед использованием устройства внимательно прочитайте все инструкции в данном руководстве пользователя и ознакомьтесь с предупреждающими символами безопасности, такими как «ОПАСНОСТЬ», «ПРЕДУПРЕЖДЕНИЕ» и «ВНИМАНИЕ». Несоблюдение всех приведенных ниже инструкций может привести к поражению электрическим током, возникновению пожара и/или получению серьезных травм.

ЗНАЧЕНИЕ СИМВОЛОВ

ПРЕДУПРЕЖДАЮЩИЙ СИМВОЛ Означает **УВЕДОМЛЕНИЯ, ПРЕДУПРЕЖДЕНИЯ И ПРЕДОСТЕРЕЖЕНИЯ.** Может использоваться с другими символами или изображениями.

⚠ ПРЕДУПРЕЖДЕНИЕ. В результате работы электроинструмента в глаза могут попасть посторонние предметы, что приведет к серьезному повреждению глаз. Перед началом использования электроинструмента всегда надевайте защитную маску или защитные очки с боковыми щитками и полнопрофильную защитную маску (при необходимости). Поверх очков или стандартных защитных очков рекомендуется надевать маску Wide Vision Safety.

ИНСТРУКЦИИ ПО ТЕХНИКЕ БЕЗОПАСНОСТИ

Далее приведено изображение и описание символов безопасности, которые могут присутствовать на данном устройстве. Перед сборкой или использованием внимательно прочитайте все инструкции, приведенные на устройстве, и соблюдайте их.

	Предупреждение об опасности	Указывает на потенциальную опасность получения травмы.
	Внимательно прочитайте руководство пользователя.	Прочитайте руководство по эксплуатации, чтобы уменьшить риск получения травм.
	Всегда держите руки и ноги подальше от режущего инструмента.	Во время работы держите электроинструмент обеими руками. Потеря контроля над электроинструментом может привести к получению тяжелых или смертельных травм. Чтобы снизить риск получения травм от порезов, держите руки и ноги подальше от режущего инструмента. Никогда не прикасайтесь к движущемуся режущему инструменту руками и любыми другими частями тела.
	Надевайте защитные очки.	При работе с данным устройством всегда используйте защиту для глаз или защитные очки с боковыми щитками и полнопрофильную защитную маску.
	Шум	Гарантированный уровень звуковой мощности. Уровень шума в окружающей среде в соответствии с директивой ЕС.
	CE	Соответствует основным требованиям стандартов безопасности Европейских директив.

	UKCA	Данный продукт соответствует действующему законодательству Великобритании.
	WEEE	Неисправные электрические устройства нельзя выбрасывать вместе с бытовым мусором. Сдавайте их в авторизованные пункты сбора и утилизации.
	Длина ножа	Длина ножа
	Производительность резания	Макс. производительность резки ножа
IPX5	Класс защиты IP	Защита от струй воды
V	Вольт	Напряжение
	Постоянный ток	Тип или характеристика тока
.../min	В минуту	Оборотов в минуту
mm	Миллиметр	Длина или размер
cm	Сантиметр	Длина или размер
n_0	Скорость работы без нагрузки	Скорость вращения без нагрузки

ОБЩИЕ ПРАВИЛА ТЕХНИКИ БЕЗОПАСНОСТИ ПРИ РАБОТЕ С ЭЛЕКТРОИНСТРУМЕНТАМИ

⚠ ПРЕДУПРЕЖДЕНИЕ. Прочитайте все правила безопасности, инструкции, иллюстрации и спецификации, прилагаемые к этому электроинструменту. Невыполнение изложенных ниже инструкций может привести к поражению электрическим током, пожару и (или) тяжелым травмам.

Сохраните все предупреждения и инструкции для использования в будущем.

Термин «электроинструмент» в предупреждениях

означает электрический инструмент с питанием от сети (с кабелем) или электрический инструмент с питанием от батареи (без кабеля).

БЕЗОПАСНОСТЬ РАБОЧЕГО МЕСТА

- **Обеспечьте чистоту и освещенность рабочего места.** Загроможденные и плохо освещенные места служат причиной несчастных случаев.
- **Не используйте электроинструменты во взрывоопасных местах, например вблизи горючих жидкостей, газов или пыли.** Электроинструменты генерируют искры, которые могут воспламенить пыль или испарения.
- **Не позволяйте детям и другим людям находиться вблизи работающего электроинструмента.** Отвлекающие факторы могут привести к потере контроля над инструментом.

ЭЛЕКТРОБЕЗОПАСНОСТЬ

- **Вилка электроинструмента должна соответствовать розетке. Никогда не переделывайте вилку. Не используйте никакие переходники для вилок с заземлением.** Использование оригинальных вилок и соответствующих им розеток уменьшает риск поражения электрическим током.
- **Избегайте прикосновений к заземленным объектам, таким как трубы, радиаторы, плиты и холодильники.** Существует повышенная опасность поражения электрическим током, если ваше тело заземлено.
- **Не подвергайте электроинструменты воздействию дождя или влаги.** При попадании воды в электроинструмент увеличивается риск поражения электрическим током.
- **Аккуратно обращайтесь с кабелем аккумулятора. Никогда не переносите, не тяните и не выключайте электроинструмент за кабель. Держите кабель подальше от источников тепла, масла, острых предметов или движущихся частей.** Поврежденные и запутанные кабели повышают риск поражения электрическим током.
- **Для работы с электроинструментом вне помещения используйте предназначенный для этого удлинительный кабель.** Использование кабеля, подходящего для использования вне помещения, снижает риск поражения электрическим током.
- **Если использование электроинструмента в сыром помещении неизбежно, подключайте его через устройство защитного отключения (УЗО).**

RU

Использование УЗО уменьшает риск поражения электрическим током.

ЛИЧНАЯ БЕЗОПАСНОСТЬ

- Будьте бдительны, следите за тем, что делаете, и следуйте здравому смыслу при использовании электроинструмента. Не пользуйтесь электроинструментом, если вы устали или находитесь под воздействием наркотиков, алкоголя или медикаментов. Даже кратковременная невнимательность при работе с электроинструментом может привести к серьезным травмам.
- Используйте средства индивидуальной защиты. Всегда надевайте защитные средства для глаз. Использование защитных средств, таких как противопылевая маска, нескользкая предохранительная обувь, жесткая каска или средства защиты органов слуха в соответствующих условиях уменьшает риск травмирования.
- Не допускайте непредвиденных запусков. Перед подключением электроинструмента к сети питания и/или аккумулятору и перед его переноской убедитесь, что выключатель находится в выключенном положении. Переноска электроинструмента с пальцем на выключателе и включение вилки в розетку при включенном электроинструменте — причины несчастных случаев.
- Перед включением электроинструмента снимите с него регулировочные инструменты и гаечные ключи. Гаечный ключ, оставленный на подвижной детали электроинструмента, может вызвать травмы.
- Не тянитесь. Во время работы всегда сохраняйте устойчивое положение. Это позволит лучше контролировать электроинструмент в непредвиденных ситуациях.
- Одевайтесь надлежащим образом. Не надевайте свободную одежду и украшения. Держите волосы и одежду подальше от движущихся частей. Свободная одежда, украшения и длинные волосы могут попасть в движущиеся части.
- При наличии устройств для отвода и сбора пыли убедитесь, что они подключены и правильно работают. Использование пылеулавливающих устройств снижает вред, причиняемый пылью.
- Не допускайте небрежности, которая может возникнуть из-за частого использования инструмента и повлечь за собой самоуверенность и игнорирование правил безопасности. Неосторожное действие может причинить серьезную травму за доли секунды.

ИСПОЛЬЗОВАНИЕ И ОБСЛУЖИВАНИЕ ЭЛЕКТРОИНСТРУМЕНТА

- Не прикладывайте к электроинструменту чрезмерных усилий. Используйте подходящий для ваших задач электроинструмент. Правильно выбранный электроинструмент более эффективен и безопасен при номинальной нагрузке.
- Не используйте электроинструмент, если его выключатель неисправен. Электроинструменты с неисправным выключателем опасны и подлежат ремонту.
- Перед регулировкой, сменой аксессуаров или хранением отключите электроинструмент от сети питания и (или) извлеките аккумулятор, если это возможно. Такие меры предосторожности уменьшают риск случайного запуска электроинструмента.
- Храните неиспользуемые электроинструменты в местах, недоступных для детей, и не доверяйте электроинструмент лицам, не знакомым с ним и с этими инструкциями. Электроинструменты опасны в руках неподготовленных пользователей.
- Выполняйте техническое обслуживание электроинструментов и принадлежностей. Проверьте выравнивание и сцепление подвижных деталей, наличие поломок и прочие условия, которые могут повлиять на работу электроинструмента. Если электроинструмент поврежден, перед использованием его необходимо отремонтировать. Недостаточный уход за электроинструментом является причиной многих несчастных случаев.
- Храните режущие инструменты в чистоте и заточенном состоянии. Правильно обслуживаемые и хорошо заточенные режущие инструменты меньше заклинивают и лучше контролируются.
- Используйте электроинструмент, аксессуары, насадки и т. п. в соответствии с этими инструкциями, учитывая условия и специфику выполняемой работы. Использование электроинструмента для выполнения непредусмотренных операций может привести к опасным ситуациям.
- Следите за тем, чтобы рукоятки и поверхности захвата были сухими и чистыми и на них не было масла или смазочного материала. Скользкие рукоятки и поверхности захвата не позволяют безопасно использовать инструмент и контролировать его в непредвиденных ситуациях.

ИСПОЛЬЗОВАНИЕ И СОДЕРЖАНИЕ ИНСТРУМЕНТА С ПИТАНИЕМ ОТ БАТАРЕЙ

- **Заряжайте батареи только с помощью зарядного устройства, указанного изготовителем.** Зарядное устройство, предназначенное для одного типа аккумуляторных батарей, может стать причиной пожара при использовании с другим типом батарей.
- **Используйте электроинструмент только со специально предназначенными для него аккумуляторными батареями.** Использование любого другого вида аккумуляторных батарей может стать причиной несчастных случаев или пожара.
- **Когда аккумулятор не используется, храните его отдельно от металлических предметов — канцелярских скрепок, монет, ключей, гвоздей, винтов и др. — они могут замкнуть контакты.** Короткое замыкание контактов аккумуляторной батареи может стать причиной ожогов или пожара.
- **При неблагоприятных обстоятельствах из аккумуляторной батареи может потечь электролит.** Избегайте контакта с ним. При случайном контакте с кожей промойте пораженный участок проточной водой. Если электролит попал в глаза, обратитесь к врачу. Электролит из аккумуляторной батареи может вызвать раздражение и ожоги.
- **Следуйте всем инструкциям по зарядке и не заряжайте аккумулятор и инструмент при температуре, выходящей за пределы указанного диапазона.** Если зарядка выполняется неправильно или в условиях неподходящей температуры, это может привести к повреждению аккумулятора и возгоранию.
- **Не используйте аккумулятор и инструмент, если они повреждены или подвергались модификациям.** Поведение поврежденных или модифицированных аккумуляторов может быть непредсказуемым, что приведет к возгоранию, взрыву и риску получения травм.
- **Не подвергайте аккумуляторную батарею и инструмент воздействию огня и высокой температуры.** Воздействие огня или температуры выше 100 °C может привести к взрыву.

ОБСЛУЖИВАНИЕ

- **Обслуживание электроинструмента должно выполняться квалифицированным специалистом с использованием только идентичных запасных частей.** Это обеспечит безопасную работу электроинструмента.
- **Никогда не выполняйте обслуживание поврежденного аккумулятора.** Обслуживание аккумуляторов должно выполняться только производителем или в авторизованном сервисном

центре.

ПРЕДОСТЕРЕЖЕНИЯ об ОПАСНОСТИ при использовании кустореза

- **Следите за тем, чтобы части тела находились на расстоянии от ножа. Не убирайте срезанные части и не держите обрезаемые части во время вращения ножа. Перед очисткой от застрявших материалов убедитесь, что устройство выключено.** Даже кратковременная невнимательность при использовании кустореза может привести к серьезным травмам.
- **Во время переноски кусторез необходимо держать за рукоятку; нож не должен вращаться.** Во время транспортировки или хранения режущее устройство должно быть закрыто крышкой. Надлежащее использование кустореза снижает риск получения травм в результате контакта с ножом.
- **Держите электроинструмент только за поверхности с защитным покрытием, так как нож может касаться скрытой электропроводки.** Касание ножами проводки под напряжением может передать напряжение на металлические части электроинструмента и привести к поражению оператора электрическим током.
- **Держите кабель аккумулятора подальше от режущих элементов.** Во время использования кабель может затеряться в кустах и случайно попасть под режущий элемент.
- **Перед работой проверьте живую изгородь на наличие посторонних объектов (например, проволочных ограждений).**
- **Используйте кусторез только с правильно установленным щитком.** Использование кустореза без соответствующего щитка может привести к получению серьезной травмы.
- **Во время работы всегда держите кусторез обеими руками.** Управление кусторезом одной рукой может привести к потере контроля и получению серьезных травм.

ВАЖНЫЕ ИНСТРУКЦИИ ПО ТЕХНИКЕ БЕЗОПАСНОСТИ

- **Не заряжайте аккумулятор под дождем или во влажных условиях.**
- **Прежде чем выбрасывать устройство, необходимо извлечь аккумулятор.**
- **При обращении с кусторезом не беритесь за открытые ножи или режущие края.**
- **Не используйте устройство на лестницах, крышах, деревьях и других неустойчивых опорах. Устойчивое**

RU

положение на твердой поверхности позволяет лучше контролировать кусторез в непредвиденных ситуациях.

- Не позволяйте детям использовать кусторез.
- Никогда не демонтируйте и не изменяйте защитные устройства. Регулярно проверяйте их функционирование. Никогда не препятствуйте работе защитных устройств и не снижайте степень защиты, предоставляемой защитным устройством.
- Периодически проверяйте надежность фиксации ножа и крепежных болтов. Также визуально проверяйте нож на наличие повреждений (например, изгибов, трещин и признаков износа). Для замены используйте только ножи от EGO™.
- Замените нож, если он согнулся или треснул. Несбалансированный нож вызывает вибрацию, которая может привести к повреждению двигателя устройства или травмам.
- Если устройство чрезмерно вибрирует, выключите двигатель и немедленно выясните причину.
- Устройство может использоваться для резки стеблей толщиной не более 33 мм.
- Не мойте устройство из шланга. Избегайте попадания воды в двигатель и электрические соединения.
- При смазке и замене частей инструмента следуйте инструкциям.
- Следите за тем, чтобы рукоятки были сухими и чистыми и на них не было масла или смазочного материала.
- Сохраните данные инструкции. Регулярно просматривайте их и предоставляйте для ознакомления другим пользователям. Одалживая кому-либо устройство, передайте также данные инструкции для предотвращения неправильного использования и возможных травм.

СОХРАНИТЕ ДАННЫЕ ИНСТРУКЦИИ!

ТЕХНИЧЕСКИЕ ХАРАКТЕРИСТИКИ

Напряжение	56 В ---	56 В ---
Скорость вращения режущего элемента	1800 /min	1800 /min
Длина ножа	65 см	75 см
Производительность резания	31 мм	31 мм
Масса инструмента	4,1 кг	4,2 кг

Рекомендуемая рабочая температура	От 0 до -40 до	От 0 до -40 до	
Рекомендуемая температура хранения	от -20 до -70 до	от -20 до -70 до	
Измеренный уровень звуковой мощности L_{WA}	90,1 дБ (A) K=2,9 дБ (A)	95,4 дБ (A) K=1,52 дБ (A)	
Уровень звукового давления на уши оператора L_{PA}	80,1 дБ (A) K=3 дБ (A)	83,9 дБ (A) K=2,5 дБ (A)	
Гарантированный уровень звуковой мощности. L_{WA} (в соответствии с 2000/14/EC)	93 дБ (A)	97 дБ (A)	
Вибрация a_{11}	Задняя рукоятка	3,2 m/c^2 K=1,5 m/c^2	2,872 m/c^2 K=1,5 m/c^2
	Передняя рукоятка	3,9 m/c^2 K=1,5 m/c^2	3,536 m/c^2 K=1,5 m/c^2

- Указанный общий показатель уровня вибрации был определен с помощью стандартного теста и может быть использован для сравнения разных инструментов.
- Указанный общий уровень вибрации может использоваться также для предварительной оценки уровня воздействия.

ПРИМЕЧАНИЕ. Реальное вибрационное воздействие электроинструмента может отличаться от указанного в зависимости от способа использования. В целях безопасности оператор должен надевать перчатки и средства защиты органов слуха во время использования устройства.

УПАКОВОЧНЫЙ ЛИСТ

НАЗВАНИЕ ДЕТАЛИ	КОЛИЧЕСТВО
Кусторез	1
Щиток	1
Руководство по эксплуатации	1

ОПИСАНИЕ

ЧАСТИ КУСТОРЕЗА (РИС. А)

1. Защита наконечника
2. Режущий элемент
3. Щиток режущего элемента

4. Передний рычаг переключения
5. Передняя рукоятка
6. Переключатель
7. Задний рычаг переключения
8. Задняя рукоятка
9. U-образный фиксатор
10. Разъем
11. Щиток для защиты руки
12. Щиток

⚠ ПРЕДУПРЕЖДЕНИЕ. Данный инструмент поставляется в полностью собранном состоянии. Никогда не демонтируйте щиток для защиты руки во время использования. Если щиток поврежден, немедленно обратитесь к квалифицированному специалисту для замены.

⚠ ПРЕДУПРЕЖДЕНИЕ. Для безопасного использования устройства необходимо изучить и понять информацию, указанную на самом устройстве и в настоящем руководстве пользователя, а также иметь ясное представление о планируемой работе. Перед использованием устройства ознакомьтесь со всеми функциями и правилами безопасности.

ИСПОЛЬЗОВАНИЕ

⚠ ПРЕДУПРЕЖДЕНИЕ. Не допускайте небрежности и беспечности при работе с устройством. Помните, что потери бдительности на долю секунды достаточно для получения серьезной травмы.

⚠ ПРЕДУПРЕЖДЕНИЕ. Всегда надевайте защитные очки с боковыми щитками, а также используйте защиту органов слуха. В противном случае выбрасываемые предметы попадут в глаза, что может привести к получению серьезной травмы.

⚠ ПРЕДУПРЕЖДЕНИЕ. Чтобы предотвратить случайное включение устройства и получение серьезной травмы, извлекайте аккумулятор перед выполнением сборки, регулировки и очистки, а также когда устройство не используется.

⚠ ПРЕДУПРЕЖДЕНИЕ. Не используйте насадки или дополнительные приспособления, не рекомендованные EGO™. Использование нерекондованных дополнительных приспособлений может привести к серьезным травмам.

Перед каждым использованием полностью проверяйте устройство на наличие поврежденных, отсутствующих или ослабленных частей, таких как винты, гайки, болты, заглушки и т. д. Надежно закрепите все фиксаторы и заглушки и не пользуйтесь устройством

до тех пор, пока не будут заменены поврежденные или отсутствующие части.

Изделие можно использовать во время дождя.

УСТАНОВКА И ДЕМОНТАЖ АККУМУЛЯТОРА

Используйте только аккумуляторы и зарядные устройства, указанные на рис. А.

Зарядите перед первым использованием.

Установка (Рис. В & С & D)

Расположите вилку таким образом, чтобы символы ▲ на вилке и корпусе устройства совпадали. Вставьте вилку так, чтобы зеленое уплотнение полностью исчезло в разьеме.

Закрепите кабель в U-образном фиксаторе.

Демонтаж (Рис. E)

Освободите кабель из U-образного фиксатора и извлеките вилку из разъема.

ВКЛЮЧЕНИЕ И ВЫКЛЮЧЕНИЕ КУСТОРЕЗА

Перед использованием устройства снимите чехол с режущего элемента и возьмите кусторез обеими руками за заднюю и переднюю рукоятки. Затем примите устойчивое положение, соблюдая правильную осанку и надлежащее расстояние.

⚠ ПРЕДУПРЕЖДЕНИЕ. Всегда держите кусторез обеими руками за рукоятки. Никогда не управляйте кусторезом одной рукой, чтобы другой держать кустарник. Несоблюдение данного требования может привести к получению серьезных травм.

⚠ ПРЕДУПРЕЖДЕНИЕ. Чтобы остановить кусторез, переведите переключатель в положение «OFF» (ВЫКЛ), затем отсоедините аккумулятор. Несоблюдение данного требования может привести к получению серьезных травм.

Включение

Переведите переключатель в положение «ON» (ВКЛ) (Рис. F) и нажмите задний рычаг переключения. Удерживая задний рычаг переключения, нажмите на передний рычаг переключения, чтобы запустить устройство.

Описание частей на Рис. F

F-1	Переключатель
F-2	Задний рычаг переключения

Выключение

Чтобы остановить устройство, отпустите любой рычаг переключения и переведите переключатель в положение «OFF» (ВЫКЛ) во избежание случайного запуска.

ПРИМЕЧАНИЕ. Чтобы запустить кусторез, необходимо нажать и удерживать оба рычага переключения.

ОБРАЩЕНИЕ С КУСТОРЕЗОМ

Удерживайте кусторез двумя руками за переднюю и заднюю рукоятки, отвернув режущий элемент от себя. Устройство можно удерживать тремя разными способами в зависимости от условий работы (Рис. G, H и I).

ИСПОЛЬЗОВАНИЕ КУСТОРЕЗА

⚠ ПРЕДУПРЕЖДЕНИЕ. Если в режущий элемент попал электропровод, **НЕ КАСАЙТЕСЬ РЕЖУЩЕГО ЭЛЕМЕНТА! ОН МОЖЕТ БЫТЬ ПОД НАПРЯЖЕНИЕМ И ОЧЕНЬ ОПАСЕН.** Продолжайте удерживать кусторез за изолированную заднюю рукоятку или отложите в сторону безопасным способом. Прежде чем удалить застрявший в режущем элементе провод, отключите поврежденный провод от электросети. В противном случае это может привести к серьезным травмам или летальному исходу.

⚠ ПРЕДУПРЕЖДЕНИЕ. Чтобы предотвратить получение серьезных травм, держите руки подальше от ножа. Не убирайте срезанные части и не держите обрезаемые части во время вращения ножей. Прежде чем очистить нож от застрявшего материала, убедитесь, что нож полностью остановился и аккумулятор извлечен из устройства. При обращении с инструментом не беритесь за открытые ножи или режущие края.

⚠ ПРЕДУПРЕЖДЕНИЕ. Очищайте обрабатываемый участок перед каждым использованием инструмента. Удалите все предметы, такие как кабели, осветительные приборы, проволока или веревки, которые могут запутаться в ноже и создать риск получения серьезных травм.

⚠ ПРЕДУПРЕЖДЕНИЕ. Не срезайте сразу большие объемы и не пытайтесь прорезать плотный кустарник. В противном случае ножи запутаются, а производительность резки снизится.

ПРИМЕЧАНИЕ. При подравнивании подроста выполняйте широкие махи (подобно подметанию), чтобы подача стволов выполнялась непосредственно в ножи. У более старых зарослей стволы толще и их легче всего обрезать движением распиливания. Для обрезки крупных стволов используйте неприводную

ручную пилу или пилу для обрезки ветвей.

Обрезка верхушек

Используйте широкие махи (подобно подметанию). Для достижения наилучших результатов слегка наклоните нож в направлении движения. Также для достижения наилучших результатов можно использовать веревку для обозначения уровня обрезки куста, как показано на Рис. J.

Боковая обрезка

При обрезании боковых веток работайте снизу вверх, как показано на Рис. K.

Защита наконечника

Защита наконечника (Рис. L) необходима для защиты внешнего конца ножа..

Щиток ножа

Внешняя часть ножей имеет такую же форму, что и щитки (Рис. M).

Описание частей на Рис. M

M-1	Нож
M-2	Щиток ножа

⚠ ПРЕДУПРЕЖДЕНИЕ. Всегда следите за тем, чтобы щиток ножа был не поврежден и не деформирован. Если щиток деформирован или поврежден, замените его.

ОБСЛУЖИВАНИЕ

⚠ ПРЕДУПРЕЖДЕНИЕ. При ремонте используйте только идентичные запасные части. Использование других запасных частей может привести к травмам или повреждению устройства. Чтобы обеспечить безопасность и надежность устройства, его ремонт должен выполнять квалифицированный специалист.

⚠ ПРЕДУПРЕЖДЕНИЕ. Во избежание травм всегда извлекайте аккумулятор из устройства перед чистойкой или обслуживанием.


ОЧИСТКА

- Используйте мягкую щетку, чтобы удалить загрязнения из воздухозаборных отверстий и с ножа.
- Для удаления смолы и других липких загрязнений распылите на нож растворитель для смол. Запустите двигатель на короткое время, чтобы растворитель равномерно распределился по ножу.
- Протрите поверхность сухой тканью.

⚠ ПРЕДУПРЕЖДЕНИЕ. Не используйте

растворители для очистки пластиковых элементов. Большинство пластиковых частей чувствительны к различным бытовым растворителям. Для очистки от грязи, пыли, масла, смазки и т. п. используйте чистую ткань.

ЗАТОЧКА РЕЖУЩЕГО ЛЕЗВИЯ

1. Извлеките аккумуляторную батарею из кустореза.
2. АНВ6500S/АНВ7500S: Зафиксируйте режущий элемент в тисках и используйте напильник, чтобы удалить выступающую режущую поверхность с каждого зубца. Постарайтесь снять как можно меньше материала. АНВ6500/АНВ7500 (с «» и надписью «HARDENED» (Закаленный) на поверхности режущего элемента): Зафиксируйте режущий элемент в тисках и используйте алмазный напильник и низкоскоростной шлифовальный станок, чтобы удалить выступающую режущую поверхность (скорость вращения <2500 об/мин, скорость подачи <60 мм/мин, зернистость >100). Постарайтесь снять как можно меньше материала.
3. Снимите кусторез с зажимного патрона и выровняйте незаточенное лезвие с другой стороны.

Повторите вышеописанные процедуры, пока не будут заточены все зубья лезвия.

ПРИМЕЧАНИЕ. Не эксплуатируйте кусторез, если режущие лезвия затупились или повреждены. Это может привести к перегрузке и неудовлетворительным результатам резки.

ПРИМЕЧАНИЕ: Обычный напильник по металлу не подходит для заточки специального лезвия АНВ6500/АНВ7500.

ПРИМЕЧАНИЕ: При использовании низкоскоростного шлифовального станка (Скорость вращения <2500 мин⁻¹) для заточки режущего лезвия, регулярно смачивайте зубья лезвия в процессе шлифовки.

СМАЗКА КУСТОРЕЗА

⚠ ПРЕДУПРЕЖДЕНИЕ. Не выполняйте смазку кустореза, если он работает или к нему подключен аккумулятор.

Смазка режущего элемента

Для обеспечения наилучшей производительности и увеличения срока службы режущего элемента смазывайте его легким машинным маслом перед каждым использованием и после него.

Извлеките аккумулятор и положите кусторез на ровную

поверхность. Распределите масло по верхнему краю режущего элемента (Рис. N).

Смазка редуктора

Для обеспечения наилучшей производительности и длительного срока службы заполните картер редуктора кустореза специальной смазкой (5-6 г в #1 и 10-12 г в #2 каждый раз) после каждых 50 часов эксплуатации.

Специальная смазка должна соответствовать следующим требованиям.

1. Соответствие стандарту DIN51818: степень конусной пенетрации NLGI-2.
2. Состоит из полиуретановых загустителей и синтетического смазочного масла.
3. Отличные показатели низкотемпературного запуска, противозадирные свойства, устойчивость к механическому разрушению, истиранию и окислению.
4. Рабочая температура должна находиться в пределах от -40 до 180°C.

Извлеките разъем аккумулятора и два уплотнительных винта (Рис. O). Смазка редуктора через отверстие для масла.

ПРИМЕЧАНИЕ. Не заполняйте корпус редуктора смазкой полностью.

ТРАНСПОРТИРОВКА И ХРАНЕНИЕ

- Перед хранением или транспортировкой кустореза всегда устанавливайте щиток режущего элемента. Будьте осторожны с острыми зубьями режущего элемента.
- Перед помещением на хранение тщательно очистите кусторез.
- Храните кусторез в сухом, хорошо проветриваемом помещении, недоступном для детей.
- Храните вдали от источников коррозии, таких как садовые удобрения и техническая соль.

⚠ ПРЕДУПРЕЖДЕНИЕ. Ножи очень острые.

При работе с узлом ножа надевайте нескользящие, сверхпрочные защитные перчатки. Не помещайте руки или пальцы между ножами и в любое другое положение, где они могут быть защемлены или отрезаны. НИКОГДА не прикасайтесь к ножам и не ремонтируйте устройство, если в нем установлен аккумулятор.

Защита окружающей среды



Не выбрасывайте электроприборы, зарядные устройства и аккумуляторные батареи вместе с бытовыми отходами!

Отправьте данное изделие на переработку в специализированное предприятие или сдайте его для раздельного сбора.

Электроинструменты должны быть возвращены на перерабатывающее предприятие, не наносящее ущерба окружающей среде.

УСТРАНЕНИЕ НЕИСПРАВНОСТЕЙ

ПРОБЛЕМА	ПРИЧИНА	РЕШЕНИЕ
Кусторез не работает.	<ul style="list-style-type: none"> ■ Аккумулятор не подсоединен к кусторезу либо отсутствует электрический контакт между кусторезом и аккумулятором. 	<ul style="list-style-type: none"> ■ Установите аккумулятор в кусторез.
	<ul style="list-style-type: none"> ■ Аккумулятор разряжен. 	<ul style="list-style-type: none"> ■ Заряжайте аккумулятор только с помощью указанного зарядного устройства.
	<ul style="list-style-type: none"> ■ Перед нажатием рычагов переключения переключатель не был переведен в положение «ON» (ВКЛ). 	<ul style="list-style-type: none"> ■ Перед использованием устройства убедитесь, что переключатель разблокирован.
	<ul style="list-style-type: none"> ■ Аккумулятор или кусторез перегрелись. 	<ul style="list-style-type: none"> ■ Дайте аккумулятору и кусторезу остыть, пока температура не опустится до нормальной.
	<ul style="list-style-type: none"> ■ Нож заклинило. 	<ul style="list-style-type: none"> ■ Извлеките аккумулятор из устройства. Аккуратно устраните препятствие, переустановите аккумулятор и перезапустите инструмент.
	<ul style="list-style-type: none"> ■ Кусторез перегружен. 	<ul style="list-style-type: none"> ■ Снизьте нагрузку на инструмент.
Сильная вибрация или шум.	<ul style="list-style-type: none"> ■ Сухие или ржавые ножи. 	<ul style="list-style-type: none"> ■ Смажьте режущий элемент.
	<ul style="list-style-type: none"> ■ Нож или его основание погнуты. 	<ul style="list-style-type: none"> ■ Замените режущий элемент или его основание. Обратитесь в сервисный центр EGO для замены режущего элемента или его основания.
	<ul style="list-style-type: none"> ■ Согнутый или поврежденный зубец на ноже. 	<ul style="list-style-type: none"> ■ Замените режущий элемент. Обратитесь в сервисный центр EGO для замены режущего элемента.
	<ul style="list-style-type: none"> ■ Открутите болты ножа. 	<ul style="list-style-type: none"> ■ Закрутите болты ножа. При помощи гаечного ключа закрутите болт по часовой стрелке, чтобы затянуть его.

RU

ГАРАНТИЯ

ГАРАНТИЙНАЯ ПОЛИТИКА EGO

Посетите веб-сайт egopowerplus.eu, чтобы ознакомиться со всеми условиями и сроками гарантийной политики EGO.

PRZECZYTAJ WSZYSTKIE INSTRUKCJE!



PRZECZYTAJ INSTRUKCJĘ OBSŁUGI

⚠ OSTRZEŻENIE: Aby zagwarantować bezpieczeństwo i niezawodność, wszystkie naprawy i wymiany części powinny być wykonywane przez wykwalifikowanych techników serwisu.

SYMBOLE BEZPIECZEŃSTWA

Celem symboli bezpieczeństwa jest zwrócenie uwagi użytkownika na możliwe zagrożenia. Symbole bezpieczeństwa i objaśnienia do nich zasługują na to, by je uważnie przestudiować i zrozumieć. Symbole bezpieczeństwa nie eliminują same z siebie jakichkolwiek zagrożeń.

Podawane w nich instrukcje i ostrzeżenia nie zastępują odpowiednich środków zapobiegania wypadkom.

⚠ OSTRZEŻENIE: Przed użyciem narzędzia prosimy przeczytać i zrozumieć wszystkie instrukcje dotyczące bezpieczeństwa podane w podręczniku użytkownika, łącznie z wszystkimi symbolami ostrzegawczymi takimi jak „NIEBEZPIECZEŃSTWO”, „OSTRZEŻENIE” i „UWAGA”. Niestosowanie się do wszystkich podanych niżej instrukcji może doprowadzić do porażenia prądem, pożaru i/lub poważnych obrażeń.

ZNACZENIE SYMBOLI

SYMBOL OSTRZEGAWCZY: Oznacza NIEBEZPIECZEŃSTWO, OSTRZEŻENIE lub PRZESTROGĘ. Może być używany razem z innymi symbolami lub piktogramami.

⚠ OSTRZEŻENIE: Praca elektronarzędziami może spowodować wyrzucenie ciał obcych w oczy użytkownika, co może doprowadzić do poważnych urazów oczu. Przed rozpoczęciem pracy elektronarzędziem należy zawsze założyć gogle ochronne lub okulary z osłonami bocznymi, a w stosownych przypadkach także pełną osłonę na twarz. Zalecamy nakładanie na zwykłe okulary maski zabezpieczającej o szerokim polu widzenia lub stosowanie standardowych okularów zabezpieczających z osłonami bocznymi.

INSTRUKCJE DOTYCZĄCE BEZPIECZEŃSTWA

Na tej stronie pokazano i opisano symbole bezpieczeństwa, które mogą występować na produkcie. Przed podjęciem próby złożenia i użycia urządzenia należy przeczytać i zrozumieć wszystkie instrukcje dotyczące maszyny oraz zastosować się do nich.

	Ostrzeżenie dotyczące bezpieczeństwa	Wskazuje na potencjalne ryzyko urazów ciała.
	Przeczytaj instrukcję operatora	Aby ograniczyć ryzyko urazów, użytkownik musi przeczytać instrukcję operatora.
	Ręce i stopy trzymaj z dala od elementów tnących	Nigdy nie należy próbować używać elektronarzędzia jedną ręką. Utrata kontroli nad elektronarzędziem może spowodować poważne obrażenia lub śmierć. Aby ograniczyć ryzyko ran ciętych, ręce i stopy należy trzymać z dala od narzędzia tnącego. Nigdy nie należy mocować poruszającego się narzędzia tnącego do ręki lub innej części ciała.
	Noś okulary ochronne	Podczas używania produktu należy zawsze nosić gogle ochronne lub okulary ochronne z osłonami bocznymi, a także pełną osłonę na twarz.
	Hałas	Gwarantowany poziom mocy akustycznej. Emisja hałasu do środowiska zgodnie z dyrektywą Wspólnoty Europejskiej.
	CE	Ten produkt jest zgodny z obowiązującymi dyrektywami WE.
	UKCA	Produkt jest zgodny z obowiązującym ustawodawstwem Wielkiej Brytanii.
	WEEE	Zużytych wyrobów elektrycznych nie należy wyrzucać razem ze zwykłymi odpadami domowymi. Należy je oddać do autoryzowanego punktu recyklingu.
	Długość ostrza	Długość ostrza

	Grubość cięcia	Maks. szerokość cięcia ostrzem
IPX5	Symbol IP	Ochrona przed strumieniami wody
V	Wolt	Napięcie
	Prąd stały	Rodzaj lub charakterystyka prądu
.../min	Na minutę	Obroty na minutę
mm	Milimetr	Długość lub rozmiar
cm	Centymetr	Długość lub rozmiar
n_0	Prędkość bez obciążenia	Prędkość obrotowa bez obciążenia

OGÓLNE OSTRZEŻENIA DOTYCZĄCE BEZPIECZEŃSTWA UŻYWANIA ELEKTRONARZĘDZI

⚠ OSTRZEŻENIE: Prosimy przeczytać wszystkie ostrzeżenia i instrukcje oraz przestudiować specyfikację i ilustracje dostarczone wraz z elektronarzędziem. Niestosowanie się do wszystkich podanych niżej instrukcji może doprowadzić do porażenia prądem, pożaru i/lub poważnych obrażeń.

Prosimy zachować na przyszłość wszystkie ostrzeżenia i instrukcje.

Termin „elektronarzędzie” występujący w ostrzeżeniach dotyczy narzędzia elektrycznego o zasilaniu sieciowym (przewodowego) lub akumulatorowym (bezprzewodowego).

BEZPIECZEŃSTWO W MIEJSCU PRACY

- **Należy dbać o czystość i dobre oświetlenie w miejscu pracy.** Bałagan i złe oświetlenie sprzyjają wypadkom.
- **Nie należy używać elektronarzędzi w miejscach zagrożonych wybuchem, np. w obecności łatwopalnych cieczy, gazów lub pyłu.** Elektronarzędzia wytwarzają iskry, które mogą zapalić opary lub pył.
- **W czasie pracy elektronarzędzie należy trzymać z dala od dzieci i osób postronnych.** Chwila nieuwagi może spowodować utratę kontroli nad urządzeniem.

BEZPIECZEŃSTWO ELEKTRYCZNE

- **Wtyczki elektronarzędzi muszą pasować do gniazdek. Nigdy w jakikolwiek sposób nie wolno przerabiać wtyczki. Do elektronarzędzi wymagających uziemienia nie należy używać**

przejsćiówek. Oryginalne wtyczki i pasujące do nich gniazdko zmniejszają ryzyko porażenia prądem.

- **Należy unikać dotykania ciałem powierzchni uziemionych, takich jak np. rury, kaloryfery, kuchenni i lodówki.** Uziemienie ciała zwiększa ryzyko porażenia prądem.
- **Elektronarzędzia należy chronić przed deszczem i wilgocią.** Woda dostająca się do wnętrza elektronarzędzia zwiększa ryzyko porażenia prądem.
- **Nie należy nadwyręzać przewodu akumulatora. Nigdy nie należy używać przewodu do noszenia lub ciągnięcia elektronarzędzia; nie należy chwytac za przewód, aby wyjąć wtyczkę z kontaktu. Przewód należy chronić przed gorącym, ropą, olejem, ostrymi krawędziami i poruszającymi się częściami.** Zaplątane lub uszkodzone przewody zwiększają ryzyko porażenia prądem.
- **Podczas używania elektronarzędzia na dworze należy stosować przedłużacz nadający się do używania na dworze.** Używanie przewodu przeznaczonego do stosowania na dworze zmniejsza ryzyko porażenia prądem.

- **Jeżeli użycie elektronarzędzia w miejscu o dużej wilgotności jest nieuniknione, należy stosować zasilanie zabezpieczone wyłącznikiem różnicowoprądowym.** Używanie wyłącznika różnicowoprądowego zmniejsza ryzyko porażenia prądem.

BEZPIECZEŃSTWO OSOBISTE

- **Podczas pracy narzędziem należy zachować czujność, patrzeć, co się robi i kierować się zdrowym rozsądkiem. Nie należy używać elektronarzędzia, gdy użytkownik jest zmęczony, albo pod wpływem narkotyków, alkoholu lub leków.** Chwila nieuwagi w czasie posługiwania się narzędziami elektrycznymi może spowodować poważne obrażenia.
- **Należy używać środków ochrony indywidualnej. Należy zawsze nosić okulary ochronne.** Stosowanie w odpowiednich warunkach sprzętu ochronnego takiego jak np. maska przeciwpyłowa, obuwie ochronne z podeszwami antypoślizgowymi, kask lub ochronniki słuchu zmniejszą ewentualne obrażenia.
- **Nie wolno dopuszczać do przypadkowego włączenia. Należy pilnować, aby przed podłączeniem narzędzia do zasilania i/lub baterii akumulatorowej oraz przed podniesieniem i przenoszeniem przełącznik był ustawiony w pozycji „wyłączone”.** Trzymanie palca na przełączniku w czasie przenoszenia narzędzi elektrycznych lub podłączanie ich do zasilania, gdy przełącznik jest ustawiony w pozycji „włączone” może doprowadzić do wypadku.

- **Przed włączeniem elektronarzędzia należy usunąć wszystkie klucze regulacyjne i inne narzędzia.** Klucz zaczeplony o obracającą się część narzędzia może spowodować obrażenia.
- **Nie należy sięgać za daleko.** Należy zawsze dbać o utrzymanie równowagi i pewne podparcie nóg. W nieprzewidzianych sytuacjach zapewnia to lepszą kontrolę nad narzędziem.
- **Należy nosić odpowiednią odzież.** Nie powinno się nosić luźnych ubrań ani biżuterii. Włosy i odzież należy trzymać w bezpiecznej odległości od poruszających się części. Luźne ubrania, biżuteria lub długie włosy mogą zaczeplić się o poruszające się części.
- **Jeżeli urządzenie jest przystosowane do podłączania do odsysacza pyłu i urządzenia zbierającego, należy dopilnować, aby systemy te były podłączone i właściwie stosowane.** Używanie systemów służących do pochłaniania pyłu może zmniejszyć zagrożenia związane z pyłem.
- **Nie wolno dopuścić do tego, aby poczucie znajomości narzędzia wynikające z jego częstego używania doprowadziło do lekceważenia i ignorowania zasad bezpieczeństwa.** Jedno lekkomyślne działanie może w ułamku sekundy doprowadzić do ciężkich urazów.

UŻYWANIE I KONSERWOWANIE ELEKTRONARZĘDZI

- **Elektronarzędzia nie należy forsować.** Należy używać narzędzia dostosowanego do wykonywanej pracy. Odpowiednie narzędzie elektryczne wykona pracę lepiej i bezpieczniej, gdy pozwoli mu się pracować z prędkością/obrotami do jakich zostało zaprojektowane.
- **Nie należy używać elektronarzędzia, jeżeli przełącznik zasilania nie włącza go lub nie wyłącza.** Narzędzie, którego nie da się kontrolować przełącznikiem, jest potencjalnie niebezpieczne i wymaga naprawy.
- **Przed przystąpieniem do regulacji elektronarzędzia oraz przed wymianą akcesoriów lub odłożeniem narzędzia na miejsce, należy odłączyć je od zasilania i/lub wyjąć akumulator.** Tego typu zapobiegawcze środki ostrożności zmniejszają ryzyko przypadkowego włączenia się elektronarzędzia.
- **Nieużywane elektronarzędzia należy przechowywać w miejscu niedostępnym dla dzieci.** Osobom, które nie zapoznały się z narzędziem lub jego instrukcją, nie należy pozwalać go obsługiwać. W rękach niedoświadczonych użytkowników narzędzia elektryczne mogą stanowić zagrożenie.
- **Elektronarzędzia i akcesoria należy utrzymywać w dobrym stanie.** Należy kontrolować, czy części ruchome nie są odchylone od osi, nie zacinają się i nie są pęknięte lub uszkodzone w inny sposób, który mógłby wpłynąć na działanie narzędzia. W razie uszkodzenia, przed użyciem narzędzie należy oddać do naprawy. Wiele wypadków wynika ze złej konserwacji narzędzi.
- **Należy dbać o czystość i naostrzenie narzędzi tnących.** Odpowiednio utrzymywane narzędzia z ostrymi krawędziami tnącymi są mniej narażone na zakleszczanie się i łatwiej jest je kontrolować.
- **Elektronarzędzi, akcesoriów, wiertła, bitów, itp. należy używać zgodnie z niniejszą instrukcją, z uwzględnieniem warunków i rodzaju wykonywanej pracy.** Korzystanie z narzędzi niezgodnie z przeznaczeniem może prowadzić do niebezpiecznych sytuacji.
- **Należy dbać o to, aby uchwyty były suche, czyste i niezaplamione olejem lub smarem.** Śliskie uchwyty nie pozwalają w bezpieczny sposób kontrolować narzędzia w nieprzewidzianych sytuacjach.

UŻYWANIE I KONSERWOWANIE NARZĘDZI AKUMULATOROWYCH

- **Do ładowania należy używać wyłącznie ładowarki wskazanej przez producenta.** Użycie ładowarki pochodzącej od jednego akumulatora do ładowania innego akumulatora grozi pożarem.
- **Elektronarzędzi należy używać wyłącznie z dedykowanymi do nich akumulatorami.** Użycie jakichkolwiek innych akumulatorów grozi obrażeniami i pożarem.
- **Jeżeli akumulator nie jest używany, należy go przechowywać z dala od innych przedmiotów metalowych, np. spinaczy, monet, kluczy, gwoździ, śrub i innych drobnych przedmiotów metalowych, które mogłyby spowodować zwarcie wyprowadzeń akumulatora.** Zwarcie wyprowadzeń akumulatora może doprowadzić do oparzenia lub pożaru.
- **W niesprzyjających warunkach może dojść do wycieku cieczy z akumulatora.** Należy wtedy unikać wszelkiego kontaktu z tą cieczą. W razie przypadkowego kontaktu ze skórą, zabrudzone miejsce należy obficie przemyć wodą. Jeżeli płyn dostanie się do oczu, należy dodatkowo zasięgnąć porady lekarza. Płyn wyciekający z akumulatora może powodować podrażnienie lub oparzenia.
- **Należy przestrzegać wszystkich instrukcji ładowania.** Nie należy ładować akumulatora lub narzędzia poza przedziałem temperatur podanym w instrukcji. Ładowanie w sposób nieprawidłowy lub

w temperaturze wykraczającej poza określony zakres może doprowadzić do uszkodzenia akumulatora i zwiększa ryzyko pożaru.

- **Nie należy używać akumulatora lub narzędzia, które są uszkodzone lub zostały poddane przeróbkom.** Uszkodzone lub zmodyfikowane akumulatory mogą zachowywać się w sposób nieprzewidywalny, co może doprowadzić do pożaru lub wybuchu lub stwarzać ryzyko urazów.
- **Nie należy narażać akumulatora lub narzędzia na kontakt z ogniem lub zbyt wysokimi temperaturami.** Ogień lub temperatury przekraczające 100 °C mogą doprowadzić do wybuchu.

SERWISOWANIE

- **Serwisowanie urządzenia należy powierzyć wykwalifikowanemu technikowi, a do naprawy używać wyłącznie części zamiennych identycznych z oryginalnymi.** Zapewni to bezpieczeństwo eksploatacji narzędzia elektrycznego.
- **Uszkodzonego akumulatora nie należy nigdy naprawiać.** Jakiegokolwiek czynności serwisowe przy akumulatorach powinny być wykonywane wyłącznie przez producenta lub pracowników autoryzowanego serwisu.

OSTRZEŻENIA DOTYCZĄCE NOŻYC DO ŻYWOPLOTU

- **Wszystkie części ciała należy trzymać z dala od ostrza tnącego.** Gdy poruszają się noże ostrza, nie należy usuwać ani przytrzymywać przycinanych gałęzi. Zanim zacznie się usuwać zakleszczone gałęzie należy upewnić się, że narzędzie jest wyłączone. Chwila nieuwagi w czasie posługiwania się nożycami do żywoplotu może spowodować poważne obrażenia.
- **Nożycy do żywoplotów należy nosić za uchwyt.** Ostrze tnące powinno być zatrzymane. Na czas transportowania lub przechowywania nożyc do żywoplotu należy zawsze zakładać na ostrze osłonę. Właściwe obchodzenie się z nożycami do żywoplotu zmniejsza ryzyko obrażeń spowodowanych ostrzem tnącym.
- **Elektronarzędzie należy trzymać za izolowane uchwyty, ponieważ ostrze tnące może natrafić na ukryte przewody.** Dotknięcie ostrzem tnącym przewodu pod napięciem może spowodować, że przez niez izolowane elementy metalowe narzędzia popłynie prąd, co grozi operatorowi porażeniem.
- **Przewód akumulatora należy trzymać z dala od strefy cięcia.** W czasie używania narzędzia przewód może się schować w krzakach i może zostać przypadkowo przecięty ostrzem.

- Przed przystąpieniem do pracy należy sprawdzić żywoplot pod kątem przeszkód takich jak np. siatka ogrodzeniowa.
- Nożyc do żywoplotu należy używać tylko z właściwie zainstalowaną osłoną. Używanie nożyc do żywoplotu bez odpowiedniej osłony może doprowadzić do poważnych urazów ciała!
- **Podczas pracy nożycy do żywoplotu należy trzymać obiema rękoma. Używanie tylko jednej ręki mogłoby doprowadzić do utraty kontroli i spowodować poważne urazy ciała.**

WAŻNE INSTRUKCJE DOTYCZĄCE BEZPIECZEŃSTWA

- Akumulatora nie należy ładować na deszczu i miejscach wilgotnych.
- Przed użyciem akumulator należy wyjąć z urządzenia.
- Podczas podnoszenia lub trzymania nożyc do żywoplotu nie należy chwycić za nieosłonięte noże lub krawędzie tnące.
- Narzędzia nie należy używać na drabinie, dachu, drzewie lub na innych niestabilnych podłożach. W nieprzewidywanych sytuacjach stabilne podparcie nóg i solidna powierzchnia zapewniają lepszą kontrolę nad nożycami.
- Nigdy nie należy pozwalać dzieciom używać nożyc do żywoplotu.
- Nigdy nie należy demontować elementów zabezpieczających ani manipulować przy nich. Należy regularnie kontrolować ich poprawne działanie. Nigdy nie należy robić niczego, co zakłócałoby zamierzoną funkcję mechanizmów zabezpieczających lub ograniczałoby zakres zapewnianej przez nie ochrony.
- W regularnych odstępach czasu należy kontrolować właściwe dokręcenie śrub mocujących ostrze i silnik. Należy też wzrokowo skontrolować ostrze pod kątem ewentualnych uszkodzeń (np. skrzywienie, pęknięcie i zużycie). Ostrze należy wymieniać tylko na ostrze EGO™.
- Jeżeli ostrze jest skrzywione lub pęknięte, należy je wymienić. Nierówno wyważone ostrze powoduje drgania, które mogą uszkodzić silnik lub doprowadzić do urazów ciała.
- Jeśli urządzenie zaczyna nienormalnie wibrować, należy wyłączyć silnik i natychmiast sprawdzić, co jest przyczyną.
- Nożyc należy używać do cięcia gałązek o grubości do 33 mm.
- Nie należy czyścić urządzenia węžem; należy unikać zachlapywania wodą silnika i połączeń elektrycznych.

- Należy przestrzegać instrukcji dotyczących smarowania i wymiany akcesoriów.
- Należy dbać o to, aby uchwyty były suche, czyste i niezaplamione olejem lub smarem.
- Prosimy zachować instrukcję. Zachęcamy do częstego korzystania z niej. Instrukcja może też posłużyć do przeszkolenia innych osób, które będą używały narzędzia. Jeśli narzędzie zostanie komuś pożyczone, osobie tej należy również udostępnić niniejszą instrukcję, aby zapobiec niewłaściwemu użytkowaniu i możliwym urazom.

INSTRUKCJI NIE NALEŻY WYRZUCAĆ!

SPECYFIKACJA

Napięcie	56 V $\overline{---}$	56 V $\overline{---}$	
Prędkość ostrza	1800 /min	1800 /min	
Długość ostrza	65 cm	75 cm	
Grubość cięcia	31 mm	31 mm	
Ciężar narzędzia	4,1 kg	4,2 kg	
Zalecana temperatura pracy	0°C-40°C	0°C-40°C	
Zalecana temperatura składowania	-20°C-70°C	-20°C-70°C	
Zmierzony poziom mocy akustycznej L_{WA}	90,1 dB(A) K=2,9 dB(A)	95,4 dB(A) K=1,52 dB(A)	
Poziom ciśnienia akustycznego przy uchu operatora L_{PA}	80,1 dB(A) K=3 dB(A)	83,9 dB(A) K=2,5 dB(A)	
Gwarantowany poziom mocy akustycznej L_{WA} (zmierzony zgodnie z dyrektywą 2000/14/WE)	93 dB(A)	97 dB(A)	
Drgania a_h	Uchwyt tylny	3,2 m/s ² K=1,5 m/s ²	2,872 m/s ² K=1,5 m/s ²
	Uchwyt przedni	3,9 m/s ² K=1,5 m/s ²	3,536 m/s ² K=1,5 m/s ²

- Deklarowana całkowita wartość drgań została zmierzona zgodnie ze standardowymi metodami testowania i może służyć do porównywania różnych narzędzi.
- Deklarowana całkowita wartość drgań może również służyć do wstępnej oceny narażenia na drgania.

UWAGA: W zależności od sposobu eksploatacji, emisja wibracji podczas faktycznego użytkowania elektronarzędzia może się różnić od wartości deklarowanej. Aby chronić operatora, w rzeczywistych warunkach użytkowania użytkownik powinien nosić rękawice i nauszniki ochronne.

LISTA ELEMENTÓW W OPAKOWANIU

NAZWA CZĘŚCI	ILOŚĆ
Nożyce do żywopłotu	1
Oslona	1
Instrukcja operatora	1

OPIS

ZAPOZNANIE SIĘ Z NOŻYCAMI DO ŻYWOPŁOTU (RYS. A)

- Oslona końcówki
- Ostrze
- Oslona ostrza
- Przednia dźwignia przełączająca
- Uchwyt przedni
- Przycisk odblokowujący
- Tylna dźwignia przełączająca
- Uchwyt tylny
- Zaczep „U”
- Gniazdo wtykowe
- Oslona ręki
- Oslona

⚠️ OSTRZEŻENIE: Wyrób został dostarczony w postaci całkowicie złożonej. W czasie użytkowania nigdy nie wolno zdejmować osłony ręki. W przypadku uszkodzenia należy ją natychmiast oddać do wymiany wykwalifikowanemu technikowi serwisu.

⚠️ OSTRZEŻENIE: Bezpieczne używanie tego produktu wymaga zrozumienia informacji podanych na narzędziu oraz w niniejszej instrukcji operatora. Konieczna jest także znajomość realizowanego projektu. Przed użyciem produktu należy zapoznać się z wszystkimi jego funkcjami oraz z zasadami dotyczącymi bezpieczeństwa.

UŻYTKOWANIE

⚠️ OSTRZEŻENIE: Nie wolno dopuść do tego, aby znajomość narzędzia doprowadziła do nieuwagi. Należy pamiętać, że do spowodowania poważnych obrażeń wystarczy zaledwie chwila nieuwagi.

⚠️ OSTRZEŻENIE: Należy zawsze nosić środki ochrony oczu z osłonami bocznymi, a także środki ochrony uszu. Nieprzestrzeganie tego zalecenia może doprowadzić do poważnych obrażeń oczu odłamkiem lub skrawkiem materiału wyrzucenym przez pracujące narzędzie, a także grozi innymi możliwymi urazami.

⚠ OSTRZEŻENIE: Aby zapobiec przypadkowemu włączeniu, które mogłoby spowodować ciężkie urazy, z narzędzia należy zawsze wyjmować akumulator na czas mocowania części, regulacji, czyszczenia lub gdy narzędzie nie jest używane.

⚠ OSTRZEŻENIE: Nie należy używać końcówek lub akcesoriów innych niż zalecane przez EGO™. Używanie końcówek lub akcesoriów innych niż zalecane może doprowadzić do poważnych obrażeń.

Przed każdym użyciem należy skontrolować cały produkt pod kątem ewentualnych uszkodzeń, brakujących lub poluzowanych części takich jak śruby, nakrętki, kołpaki, korki itp. Wszystkie elementy mocujące i korki należy mocno dokręcić. Produktu nie należy włączać do czasu aż wszystkie brakujące lub uszkodzone części nie zostaną wymienione.

Produkt może być używany podczas deszczu.

INSTALOWANIE/WYJMOWANIE AKUMULATORA

W urządzeniu należy używać wyłącznie akumulatorów i ładowarek podanych na rys. A.

Naładować przed pierwszym użyciem.

Instalowanie (Rys. B & C & D)

Należy dopasować do siebie symbole ▲ na nożycach i wtyczce i włożyć wtyczkę do nożyc tak, aby zielona uszczelka całkowicie schowała się w gnieździe wykonywom.

Zaczepić przewód akumulatora na zaczepie „U”.

Odłączanie (Rys. E)

Należy wyjąć przewód akumulatora z zaczepu „U” i wyjąć jego wtyczkę z gniazda w nożycach do żywoplotu.

WŁĄCZANIE/WYŁĄCZANIE NOŻYC DO ŻYWOPLOTU

Przed przystąpieniem do pracy należy zdjąć osłonę ostrza i chwycić nożyce obydwiema rękoma, jedną ręką na uchwyty tylnym, a drugą na uchwyty przednim. Następnie należy sprawdzić stabilność podłoża, ustawić się w odpowiedniej pozycji i w odpowiedniej odległości od przycinanego żywoplotu.

⚠ OSTRZEŻENIE: Nożyce do żywoplotu należy zawsze trzymać oburącz. Nigdy nie należy przytrzymywać krzewów jedną ręką, a drugą ręką manewrować nożycami. Niezastosowanie się do tego ostrzeżenia może doprowadzić do poważnych urazów.

⚠ OSTRZEŻENIE: Przy wyłączaniu nożyc do żywoplotu, przed odłączeniem akumulatora należy przestawić przełącznik odblokowujący w pozycję „WYŁ.”. Niezastosowanie się do tego ostrzeżenia może doprowadzić do poważnych urazów.

Włączanie

Należy przestawić przełącznik odblokowujący w pozycję „WŁ.” (Rys. F) i nacisnąć tylną dźwignię przełączającą. Aby włączyć narzędzie, należy trzymać tylną dźwignię przełączającą wciśniętą i dalej wciskać przednią dźwignię przełączającą.

Rys. F – Opis części patrz poniżej:

F-1	Przycisk odblokowujący
F-2	Tylna dźwignia przełączająca

Wyłączanie

Aby wyłączyć urządzenie wystarczy puścić którąkolwiek z dźwigni przełączających i przestawić przełącznik odblokowujący w pozycję „WYŁ.”, aby uniemożliwić przypadkowe włączenie.

UWAGA: Aby włączyć nożyce do żywoplotu, obydwie dźwignie przełączające muszą być wciśnięte.

TRZYMANIE NOŻYC DO ŻYWOPLOTU

Nożyce należy chwycić obiema rękoma, z ostrzem skierowanym od siebie, osobno za przedni i tylny uchwyt. Trzy kierunki trzymania narzędzia nadają się do różnych operacji cięcia (Rys. G, H, I).

UŻYWANIE NOŻYC DO ŻYWOPLOTU

⚠ OSTRZEŻENIE: Jeżeli OSTRZE zakleszczy się na jakimkolwiek przewodzie elektrycznym lub kablu, **NIE WOLNO GO DOTYKAĆ! OSTRZE MOŻE BYĆ POD NAPIĘCIEM I MOŻE BYĆ BARDZO NIEBEZPIECZNE.** Należy nadal trzymać nożyce do żywoplotu za izolowany uchwyt tylny lub odłożyć je w bezpieczny sposób. Następnie trzeba wyłączyć zasilanie przewodu/kabla. Dopiero potem można spróbować wyplątać ostrze z przewodu lub kabla. Niezastosowanie się do tego ostrzeżenia doprowadzi do poważnych urazów i grozi śmiercią.

⚠ OSTRZEŻENIE: Aby nie dopuścić do poważnych urazów ciała, ręce należy trzymać z daleka od ostrza. Gdy noże ostrza poruszają się, nie należy próbować usuwać ani przytrzymywać przycinanych gałęzi. Aby zebrać przycięte gałęzie, należy upewnić się, że noże ostrza całkowicie się zatrzymały i że akumulator został wyjęty z narzędzia. Podczas podnoszenia lub trzymania nożyc do żywoplotu nie należy chwycać za nieosłonięte noże lub krawędzie tnące.

⚠ OSTRZEŻENIE: Przed każdym użyciem narzędzia należy uprzętnąć teren pracy. Należy usunąć z niego wszystkie przedmioty takie jak przewody, oświetlenie, druty lub sznurki, które mogłyby się zaplątać w ostrze tnące i które stwarzałyby ryzyko poważnych urazów ciała.

⚠ OSTRZEŻENIE: Należy unikać jednoczesnego przycinania zbyt dużych ilości gałęzi lub strzyżenia bardzo gęstych i zbitych krzewów. Może to doprowadzić

do zacięcia się noży i spowolnienia ich pracy, co zmniejszyłoby wydajność cięcia.

UWAGA: Młode pędy najlepiej jest przycinać szerokimi ruchami zagarniającymi je bezpośrednio do ostrza tnącego. W przypadku starszych, grubszych gałęzi dobrze jest wykonywać ruchy podobne do piłowania. Zaleca się, aby przed rozpoczęciem wyciąć wszystkie grube gałęzie piłą ręczną.

Strzyżenie z góry

Należy wykonywać szerokie, zagarniające ruchy. Najlepsze efekty daje lekkie nachylenie noży w dół w kierunku ruchu. Aby zwiększyć efektywność cięcia, można także używać sznurka jako przewodnicy pozwalającej wyrównać górną krawędź żywoplotu tak jak na Rys. J.

Strzyżenie po bokach

Podczas przycinania boków żywoplotu należy rozpoczynać od dołu i strzyć w górę tak jak na Rys. K.

Oslona końcówki

Oslona końcówki (Rys. L) służy do ochrony zewnętrznej końcówki ostrza.

Oslona ostrza

Zewnętrzna część ostrzy ma kształt osłony ostrza (Rys. M). Rys. M opis części patrz poniżej:

M-1	Ostrze
M-2	Oslona ostrza

⚠ OSTRZEŻENIE: Należy zawsze skontrolować, czy osłona ostrza nie jest uszkodzona lub odkształcona. Jeżeli osłona ostrza jest skrzywiona lub uszkodzona, należy ją wymienić.

KONSERWACJA

⚠ OSTRZEŻENIE: Podczas serwisowania należy używać wyłącznie części zamiennych identycznych z oryginalnymi. Używanie jakichkolwiek innych części stwarza ryzyko i może spowodować usterkę produktu. Aby zagwarantować bezpieczeństwo i niezawodność, wszystkie naprawy powinny być wykonywane przez wykwalifikowanych techników serwisu.

⚠ OSTRZEŻENIE: Aby uniknąć poważnych obrażeń ciała, na czas czyszczenia lub wykonywania prac konserwacyjnych należy zawsze wyjmować z urządzenia akumulator.

CZYSZCZENIE


- Do usuwania zanieczyszczeń z wlotów powietrza i z ostrza tnącego należy używać miękkiej szczoteczki.
- W celu usunięcia smoly i innych lepjących się osadów

należy spryskać noże rozpuszczalnikiem do żywicy. Aby równomiernie rozprowadzić rozpuszczalnik, wystarczy na chwilę włączyć silnik.

- Przetrzeć powierzchnię suchą ściereczką.

⚠ OSTRZEŻENIE: Podczas czyszczenia części plastikowych należy unikać używania rozpuszczalników. Pod wpływem działania różnego rodzaju dostępnych w handlu rozpuszczalników większość tworzyw sztucznych ulega uszkodzeniu. Do usuwania zabrudzeń, kurzu, oleju, smaru itp. należy używać czystych ściereczek.

OSTRZENIE OSTRZA TNĄCEGO

1. Wyjąć akumulator z nożyc do żywoplotu.
2. AHB6500S/AHB7500S: Zaciśnąć ostrze w imadle i przeszlifować pilnikiem odstonięte powierzchnie tnące wszystkich zębów ostrza. Należy zeszlifowywać możliwie jak najmniejszą ilość materiału. AHB6500/AHB7500 (z napisami „” i „HARDENED” („UTWARDZONE”) na powierzchni ostrza): Zaciśnąć ostrze w imadle. Ostrzyc dostępną powierzchnię tnącą pilnikiem diamentowym lub szlifierką wolnoobrotową (prędkość obrotów < 2500 obr.min⁻¹, szybkość ruchu posuwowego < 60 mm/min, numer sita > 100). Szlifować tak, aby usunąć możliwie jak najmniejszą ilość materiału.
3. Wyjąć nożycę z imadła i tak ustawić nienaostrome jeszcze ostrze, aby były dostępne z drugiej strony.

Powtarzać powyższe kroki aż do naostrenia wszystkich zębów ostrza.

UWAGA: Nie należy używać nożyc z tępyimi lub uszkodzonymi nożami. Mogłoby to doprowadzić do przecięcia i spowodować, że efekty cięcia narzędziem byłyby niezadowalające.

UWAGA: Zwykły pilnik metalowy nie nadaje się do ostrzenia specjalnego ostrza AHB6500/AHB7500.

UWAGA: Podczas używania szlifierki wolnoobrotowej (prędkość obrotów < 2500 obr.) do ostrzenia ostrza tnącego należy podczas szlifowania przez cały czas polewać zęby ostrza wodą.

SMAROWANIE NOŻYC DO ŻYWOPLITU

⚠ OSTRZEŻENIE: Nie należy przeprowadzać smarowania, gdy nożycę są nadal podłączone do akumulatora lub włączone.

Smarowanie ostrza

Aby uzyskać optymalne działanie ostrza i przedłużyć jego żywotność, ostrze nożyc do żywoplotu należy smarować lekkim olejem maszynowym każdorazowo przed i po użyciu.

Wyjąć akumulator i położyć nożyce na płaskiej powierzchni. Nalażyć olej wzdłuż krawędzi górnego ostrza (Rys. N).

Smarowanie przekładni

Aby narzędzie działało optymalnie i przez długi czas, po każdym 50 godzinach użytkowania, przekładnię nożyc do żywopłotu należy nasmarować specjalnym smarem (około 5-6 g w #1 i 10-12 g w #2).

Smar ten powinien spełniać następujące wymagania:

1. Należać do klasy DIN51818: stopień NLGI-2 w badaniu penetracji sondą stożkową.
2. Składać się z zagęszczaczy polimocznikowych+ syntetycznego oleju smarowego
3. Posiadać znakomite właściwości w warunkach uruchamiania na zimno i podczas zwiększonego nacisku (EP), doskonałą odporność na ścinanie mechaniczne i ścieranie oraz własności stabilizujące utlenianie.
4. Temperatura pracy musi zawierać przedział -40~180°C.

Wyjąć wtyczkę akumulatora i 2 śruby uszczelniające (Rys. O). Smarowanie przekładni przez otwór smarowy.

INFORMACJA: Obudowy przekładni nie należy całkowicie napełniać smarem.

TRANSPORT I PRZECHOWYWANIE

- Przed schowaniem lub transportowaniem nożyc do żywopłotu należy zawsze założyć na ostrze osłonę na ostrze. Aby nie skaleczyć się zębami ostrza, prosimy zachować ostrożność.
- Przed schowaniem nożyce do żywopłotu należy dokładnie wyczyścić.
- Nożyce do żywopłotu należy przechowywać w suchym pomieszczeniu niedostępnym dla dzieci.
- Narzędzie należy chronić przed żrącymi substancjami takimi jak chemia ogrodnicza i sól do usuwania lodu.

⚠ OSTRZEŻENIE: Noże są ostre. Prace przy ostrzu z nożami, należy wykonywać w antypoślizgowych solidnych rękawicach ochronnych. Nie należy wkładać dłoni lub palców między noże lub w jakiegokolwiek inne miejsce, w którym mogłyby zostać przytrażnione lub skaleczone. NIGDY nie należy dotykać noży lub wykonywać czynności serwisowych, gdy w urządzeniu jest zainstalowany akumulator.

Ochrona środowiska



Urządzeń elektrycznych, zużytych akumulatorów i ładowarki nie należy wyrzucać do zwykłych zmieszanych śmieci domowych! Produkt należy oddać do zbiórki selektywnej w autoryzowanym punkcie recyklingu. Elektronarzędzia należy oddawać do przyjaznego dla środowiska zakładu recyklingu.

ROZWIĄZYWANIE PROBLEMÓW

PROBLEM	PRZYCZYNA	ROZWIĄZANIE
Nożyce do żywopłotu nie działają.	<ul style="list-style-type: none"> Do nożyc nie podłączono akumulatora lub nożyce i akumulator nie kontaktują. 	<ul style="list-style-type: none"> Ponownie włożyć wtyczkę akumulatora do nożyc do żywopłotu.
	<ul style="list-style-type: none"> Akumulator jest rozładowany. 	<ul style="list-style-type: none"> Naładować akumulator odpowiednią ładowarką.
	<ul style="list-style-type: none"> Przed wciśnięciem dźwigni przełączających nie przesunięto przycisku blokady w pozycję „WL.”. 	<ul style="list-style-type: none"> Przed użyciem nożyc upewnić się, że przycisk blokady jest odblokowany.
	<ul style="list-style-type: none"> Akumulator lub nożyce do żywopłotu są zbyt gorące. 	<ul style="list-style-type: none"> Pozwolić, aby akumulator lub nożyce do żywopłotu ostygły do zwykłej temperatury.
	<ul style="list-style-type: none"> Ostrze zablokowało się. 	<ul style="list-style-type: none"> Wyjąć akumulator z narzędzia. Ostrożnie usunąć to, co blokuje narzędzie i ponownie włożyć akumulator do narzędzia.
	<ul style="list-style-type: none"> Nożyce do żywopłotu są przeciążone. 	<ul style="list-style-type: none"> Zmniejszyć obciążenie narzędzia.
Nadmierne drgania lub hałas.	<ul style="list-style-type: none"> Suche lub skorodowane noże. 	<ul style="list-style-type: none"> Nasmarować ostrza.
	<ul style="list-style-type: none"> Wygięte noże lub wspornik noży. 	<ul style="list-style-type: none"> Wymienić ostrze lub wspornik na nowe. Skontaktować się z punktem serwisowy EGO w celu wymiany ostrza lub wspornika.
	<ul style="list-style-type: none"> Wygięte lub uszkodzone zęby. 	<ul style="list-style-type: none"> Wymienić ostrze na nowe. Skontaktować się z punktem serwisowy EGO w celu wymiany ostrza.
	<ul style="list-style-type: none"> Poluzowane śruby ostrza. 	<ul style="list-style-type: none"> Dokręcić śruby ostrza. Dokręcić śrubę kluczem, kręcić w prawo (zgodnie z kierunkiem ruchu wskazówek zegara).

PL

GWARANCJA

POLITYKA GWARANCYJNA EGO

W celu zapoznania się z wszystkimi warunkami polityki gwarancyjnej EGO prosimy odwiedzić stronę egopowerplus.eu.

PŘEČTĚTE SI VŠECHNY POKYNY!



PŘEČTĚTE SI NÁVOD K OBSLUZE

VAROVÁNÍ: Z důvodu bezpečnosti by měl všechny opravy a výměny provádět kvalifikovaný servisní technik.

BEZPEČNOSTNÍ SYMBOLY

Účelem bezpečnostních symbolů je upoutat vaši pozornost k případným nebezpečím. Bezpečnostní symboly a jejich vysvětlení vyžadují vaši zvýšenou pozornost a porozumění. Výstražné symboly samy o sobě nevylučují žádné nebezpečí.

Pokyny a varování nejsou náhradou vhodných opatření pro prevenci úrazů.

VAROVÁNÍ: Před použitím tohoto nástroje si přečtěte a seznamte se se všemi bezpečnostními pokyny v tomto návodu k obsluze včetně veškerých výstražných symbolů, jako např. „**NEBEZPEČÍ**“, „**VAROVÁNÍ**“ nebo „**UPOZORNĚNÍ**“. Nedodržení níže uvedených pokynů může mít za následek úraz elektrickým proudem, požár a nebo vážná poranění osob.

VÝZNAM SYMBOLŮ

BEZPEČNOSTNÍ VÝSTRAŽNÉ SYMBOLY: Upozorňují na **NEBEZPEČÍ**, **VAROVÁNÍ**, nebo **UPOZORNĚNÍ**. Lze je používat ve spojení s jinými symboly nebo piktogramy.

VAROVÁNÍ: Při použití elektrického nářadí může dojít k vyvrstvení cizích těles do očí, což může způsobit jejich závažné poškození. Před použitím elektrického nářadí si vždy nasadte ochranné brýle, ochranné brýle s bočními kryty nebo v případě potřeby obličejový štít. Na brýle nebo standardní ochranné brýle s bočními kryty doporučujeme použít ochrannou masku.

BEZPEČNOSTNÍ POKYNY

Na této stránce jsou zobrazeny a popsány bezpečnostní symboly, které se mohou objevit na výrobku. Před montáží a provozem si přečtěte, seznamte se a dodržujte veškeré pokyny ke stroji.

	Bezpečnostní upozornění	Upozorňuje na možné riziko úrazu.
	Přečtěte si návod k obsluze	Z důvodu snížení rizika úrazu si musí uživatel přečíst návod k obsluze
	Udržujte ruce a nohy v bezpečné vzdálenosti od řezacího nástroje.	Nikdy se nepokoušejte ovládat nářadí jednou rukou. Při ztrátě kontroly nad elektrickým nářadím může dojít k vážnému nebo smrtelnému zranění. Aby se snížilo riziko pořezání, udržíte ruce a nohy v bezpečné vzdálenosti od řezného nástroje. Nikdy nepřipojujte pohybující se řezný nástroj rukou nebo jakoukoliv jinou částí těla.
	Používejte ochranu očí	Vždy noste ochranné brýle, ochranné brýle s bočními kryty nebo obličejový štít při použití tohoto výrobku.
	Hlučnost	Garantovaná hladina akustického výkonu. Emise hluku do prostředí dle direktivy Evropského společenství.
	CE	Tento výrobek je v souladu s platnými směrnici ES.
	UKCA	Tento výrobek je v souladu s příslušnou britskou legislativou.
	WEEE	Odpadní elektrické výrobky se nesmí likvidovat s domovním odpadem. Odevzdejte do autorizovaného recyklačního střediska.
	Délka lišty	Délka lišty
	Řezný výkon	Max. Řezný výkon lišty
	Symbol IP	Ochrana proti proudu vody
	Voltů	Napětí
	Střejnosměrný proud	Druh nebo vlastnosti proudu
	.../min	Za minutu
	mm	Milimetr
	cm	Centimetr
	n ₀	Rychlost při chodu naprázdno
		Počet kmitů při chodu naprázdno

CZ

OBECNÁ BEZPEČNOSTNÍ VAROVÁNÍ PRO PRÁCI S ELEKTRICKÝM NÁŘADÍM

⚠ VAROVÁNÍ: Přečtěte si všechny bezpečnostní výstrahy, pokyny, ilustrace a technické údaje dodané s tímto elektrickým nářadím. Nedodržení všech níže uvedených pokynů může vést k úrazu elektrickým proudem, požáru a / nebo vážnému úrazu!

Všechna varování a pokyny si uschovejte pro budoucí použití.

Termín „elektrické nářadí“ ve varováních odkazuje na vaše elektrické (s kabelem) nebo akumulátorové (bez kabelu) elektrické nářadí

BEZPEČNOST NA PRACOVÍŠTI

- Udržujte své pracoviště čisté a zajistěte dostatečné osvětlení. Zaneřáděné a tmavé prostory bývají častou příčinou úrazů.
- Elektrické nástroje/přístroje neprovozujte ve výbušném prostředí, jako například s výskytem hořlavých kapalin, plynů nebo prachu. Elektrické nástroje a přístroje totiž produkují jiskru, která může zapálit prach nebo výpary.
- Při práci s elektrickým nářadím udržujte děti a ostatní osoby v bezpečné vzdálenosti. Nesoustředěnost může způsobit ztrátu kontroly.

ELEKTRICKÁ BEZPEČNOST

- Zásrčky elektrického nářadí musí odpovídat zásuvkám. Zásrčku nikdy nijak neupravujte. S uzemněným elektrickým nářadím nepoužívejte žádné rozbočovací zásuvky. Neupravené zásrčky a shodné zásuvky snižují riziko úrazu elektrickým proudem.
- Vyhýbejte se kontaktu s uzemněnými plochami, například trubkami, radiátory, sporáky a lednicemi. Pokud jste uzemněni, hrozí vám vyšší riziko úrazu elektrickým proudem.
- Elektrické nářadí chraňte před deštěm a vlhkem. Voda vnikající do elektrického nářadí zvyšuje riziko úrazu elektrickým proudem.
- Nepoškoďte kabel akumulátoru. Nikdy nepoužívejte napájecí kabel k přenášení nářadí, tahání nebo vytahování zásrčky ze zásuvky. Udržujte kabel daleko od tepla, oleje, ostrých hran nebo pohyblivých částí. Poškozené nebo spletené kabely zvyšují riziko úrazu elektrickým proudem.
- Elektrické nářadí chraňte před deštěm a vlhkem. Voda vnikající do elektrického nářadí zvyšuje riziko úrazu elektrickým proudem.
- Pokud musíte s elektrickým nářadím pracovat ve vlhkém prostředí, použijte napájení s ochranou proti

zbytkovému proudu (RCD). Použití RCD snižuje riziko úrazu elektrickým proudem.

BEZPEČNOST OSOB

- Zůstaňte pozorní, sledujte, co děláte, a při práci s elektrickým nářadím buďte soudní. Elektrické nářadí nepoužívejte, jste-li unavení, pod vlivem návykových látek, alkoholu nebo léků. Jediná chvilka nepozornosti při práci s elektrickým nářadím může mít za následek vážný úraz.
- Používejte osobní ochranné pomůcky. Vždy používejte ochranu očí. Ochranné pomůcky, jako např. respirátor, protiskluzová bezpečnostní obuv, pevná přilba nebo chrániče sluchu používané ve vhodném prostředí snižují riziko úrazu.
- Zabraňte neúmyslnému spuštění. Dbejte, aby byl při zapojení do elektrické sítě anebo k akumulátoru, zdvihnutí nebo přenášení elektrického nářadí spínač v poloze vypnuto. Přenášení elektrického nářadí s ržtem na spínači, nebo zapojování elektrického nářadí, které má zapnutý spínač, může snadno způsobit nehodu či úraz.
- Před zapnutím elektrického nářadí odstraňte stavěcí klíny nebo klíče. Klíč nebo klín, který zůstane na rotující části elektrického zařízení, může způsobit úraz.
- Před zapnutím elektrického nářadí odstraňte stavěcí klíny nebo klíče. Klíč nebo klín, který zůstane na rotující části elektrického zařízení, může způsobit úraz.
- Vhodně se oblečte. Nenoste volný oděv ani šperky. Udržujte své vlasy a oblečení mimo dosah pohyblivých se částí. Volný oděv, šperky nebo dlouhé vlasy se mohou zachytit do pohyblivých se dílů.
- Pokud je zařízení vybaveno adaptérem pro připojení odsávání prachu a sběrnými zařízeními, zajistěte jejich správné připojení a řádnou funkci. Použití odsávání prachu může snížit nebezpečí týkající se prachu.
- Nedovoľte, abyste se po získání zkušeností častým používáním nástrojů stali neobezpečními a ignorovali zásady bezpečnosti. Nedbalá činnost může způsobit vážné zranění za zlomek sekundy.

POUŽITÍ A PÉČE O ELEKTRICKÉ NÁŘADÍ

- Netlačte příliš na nářadí. Používejte správný typ nářadí pro vaši aplikaci. Správné elektrické nářadí bude pracovat lépe a bezpečněji rychlostí, pro kterou bylo navrženo.
- Nepoužívejte elektrické nářadí v případě, že vypínač nefunguje. Jakékoliv elektrické nářadí, které nelze ovládat spínačem, je nebezpečné a musí se opravit.

- **Před jakýmkoliv seřizováním, výměnou příslušenství nebo před uložením nepoužívaného elektrického nářadí odpojte akumulátor, jde-li to provést.** Tato preventivní bezpečnostní opatření snižují riziko náhodného spuštění nářadí.
- **Nepoužívané elektrické nářadí uchovávejte mimo dosah dětí a nechte s elektrickým nářadím pracovat osoby, které se neseznámily s elektrickým nářadím nebo těmito pokyny.** Elektrické nářadí se v rukou nekvalifikovaných osob stává nebezpečným.

- **Udržujte elektrické nářadí a příslušenství. Zkontrolujte vychýlení či zaseknutí pohyblivých částí, poškození jednotlivých dílů a jiné okolnosti, které mohou ovlivnit chod nářadí.** Je-li nářadí poškozeno, nechte je ho před použitím opravit. Mnoho nehod je způsobeno nedostatečnou údržbou nářadí.
- **Řezné nástroje udržujte ostré a čisté.** Řádně udržované řezné nástroje s ostrými řeznými hranami nemají tendenci se ohýbat a snadněji se ovládají.
- **Elektrické nářadí, příslušenství, nástavce nástrojů atd. používejte v souladu s těmito pokyny a s přihlédnutím k pracovním podmínkám a vykonávané práci.** Používání elektrického nářadí k činnostem, pro které není určeno, může vést k nebezpečným situacím.
- **Udržujte rukojeti a uchopovací plochy suché, čisté, bez oleje a maziva.** Kluzké držadla a uchopovací plochy neumožňují bezpečnou manipulaci s nástrojem a jeho ovládání v nečekávaných situacích.

POUŽITÍ A PÉČE O AKUMULÁTOROVÉ NÁŘADÍ

- **K nabíjení používejte pouze nabíječku doporučenou výrobcem.** Nabíječka vhodná pro jeden typ akumulátoru může způsobit požár při použití s jiným typem akumulátoru.
- **Elektrické nářadí používejte výhradně se specifikovanými akumulátory.** Použití jiných akumulátorů může způsobit riziko úrazu nebo požáru.
- **Pokud akumulátor nepoužíváte, uchovávejte jej v bezpečné vzdálenosti od kovových předmětů jako jsou např. kancelářské sponky, mince, klíče, hřebíky, šrouby nebo jiné malé kovové předměty, které mohou propojit jednotlivé póly.** Zkrat pólů akumulátoru může způsobit popáleniny nebo požár.
- **V nepříznivých podmínkách může dojít k úniku tekutiny z akumulátoru; vyhněte se styku s ní. Pokud dojde k neúmyslnému styku, opláchněte místo vodou. Pokud dojde k zasažení očí, vyhledejte navíc lékařské ošetření.** Kapalina unikající z akumulátoru může způsobit podráždění nebo popáleniny.
- **Dodržujte všechny pokyny pro nabíjení a nenabíjejte baterii nebo nástroj mimo rozsah teplot uvedených**

v pokynech. Nesprávné nabíjení nebo při teplotách mimo stanovený rozsah může poškodit akumulátor a zvýšit riziko požáru.

- **Nepoužívejte akumulátor nebo nástroj, který je poškozen nebo upraven.** Poškozené nebo upravené baterie mohou mít nepředvídatelné chování, které může vést k požáru, výbuchu nebo nebezpečí zranění.
- **Nevystavujte akumulátor ani nástroj ohni nebo nadměrné teplotě.** Při vystavení ohni nebo teplotě nad 100 C může dojít k výbuchu.

SERVIS

- **Servis vašeho elektrického nářadí svěťte kvalifikovanému opraváři, který používá pouze originální náhradní díly.** Tím zajistíte bezpečnost elektrického nářadí.
- **Nikdy neopravujte poškozený akumulátor.** Servis akumulátorů smí provádět pouze výrobce nebo autorizovaní poskytovatelé služeb.

BEZPEČNOSTNÍ VAROVÁNÍ PRO PLOTOVÉ NŮŽKY

- **Udržujte všechny části těla v bezpečné vzdálenosti od střízné lišty. Neodstraňujte stříhaný materiál ani jej nedržte, pokud je lišta v pohybu. Při čištění uvízlého materiálu dbejte, aby byl spínač vypnutý.** Jediná chvilka nepozornosti při práci s plotovými nůžkami může mít za následek vážný úraz.
- **Plotové nůžky přenášejte za rukojeť se zastavenou stříznou lištou.** Při přepravě nebo skladování plotových nůžek vždy nasadte kryt stříhacího zařízení. Správná manipulace s plotovými nůžkami snižuje možné riziko úrazu stříznou lištou.
- **Elektrické nářadí držte pouze za izolované části rukojeti, protože střízná lišta může být v kontaktu se skrytým vedením.** Střízná lišta, která je v kontaktu s vodičem „pod proudem“, může rozvést proud do nechráněných kovových částí elektrického nářadí a způsobit obsluhu úraz elektrickým proudem.
- **Kabel baterie udržujte mimo prostor stříhání.** Při práci se může kabel skrýt v keři a může dojít k neúmyslnému přestřihnutí lištou.
- **Před zahájením práce zkontrolujte, zda v nůžkách nejsou cizí tělesa, např. drátěný plot.**
- **Plotové nůžky používejte pouze se správně namontovaným ochranným krytem.** Použití plotových nůžek bez řádného krytu může vést k vážnému úrazu!
- **Při práci s plotovými nůžkami používejte obě ruce. Použití jen jedné ruky může vést ke ztrátě kontroly a může způsobit vážný úraz.**

DŮLEŽITÉ BEZPEČNOSTNÍ POKYNY

- Akumulátor nenabíjete v dešti nebo na mokřem místě.
- Před likvidací vyjměte ze zařízení akumulátor.
- Plotové nůžky nezdvíhejte ani nedržte za odhalenou střížnou lištu nebo za nože.
- Zařízení nepoužívejte na žebříku, střeše, stromě a jiných nestabilních opěrách. Stabilní postoj a pevný povrch vám umožní lepší ovládání plotových nůžek v nečekávaných situacích.
- Nikdy nedovolte dětem pracovat s plotovými nůžkami.
- Nikdy neupravujte ani nezasahujte do bezpečnostních zařízení. Pravidelně kontrolujte jejich správnou funkci. Nikdy nedělejte nic, co by bylo v rozporu s funkcí bezpečnostního zařízení, nebo omezovalo ochranu zajištěnou bezpečnostním zařízením.
- Nikdy nepoužívejte plotové nůžky bez instalace vhodných krytů, štítů nebo jiných bezpečnostních zařízení.
- Před dalším použitím plotových nůžek zkontrolujte poškozené díly. Před použitím nářadí je nutno každý poškozený kryt nebo část pečlivě zkontrolovat a určit, zda budou fungovat správně a plnit svoji zamýšlenou funkci. Zkontrolujte seřízení pohyblivých částí, spojení pohyblivých částí, poškození částí, sestavení a další podmínky, které mohou ovlivnit jeho provoz. Kryt nebo jiná poškozená část by se měly řádně opravit nebo vyměnit v autorizovaném servisním středisku, pokud není v tomto návodu uvedeno jinak.
- Pokud začne zařízení abnormálně vibrovat, zastavte motor a okamžitě vyhledejte příčinu.
- Nůžky se používají ke stříhání větví užších než (33 mm).
- Nůžky nemýjte hadicí; dbejte, aby se do motoru a elektrických přípojek nedostala voda.
- Dodržujte pokyny pro mazání a výměnu příslušenství.
- Udržujte rukojeti suché, čisté, bez oleje a maziva.
- Tyto pokyny uschovejte pro budoucí použití. Používejte je často a také k poučení dalších osob, které mohou toto nářadí používat. Pokud nářadí někomu půjčíte, půjčte mu také tento návod k obsluze, aby nedošlo k nesprávnému použití výrobků nebo případně k úrazu.

TYTO POKYNY USCHOVEJTE PRO BUDOUCÍ POUŽITÍ!

SPECIFIKACE

Napětí	56 V	56 V
Rychlost lišty	1800 /min	1800 /min
Délka lišty	65 cm	75 cm
Řezný výkon	31 mm	31 mm

Hmotnost nástroje	4,1 kg	4,2 kg	
Doporučená provozní teplota	0°C-40°C	0°C-40°C	
Doporučená teplota skladování	-20°C-70°C	-20°C-70°C	
Měřená hladina akustického výkonu L_{WA}	90,1 dB(A) K=2,9 dB(A)	95,4 dB(A) K=1,52 dB(A)	
Hladina akustického tlaku na sluch obsluhy L_{PA}	80,1 dB(A) K=3 dB(A)	83,9 dB(A) K=2,5 dB(A)	
Zaručená úroveň akustického výkonu L_{WA} (podle 2000/14/ES)	93 dB(A)	97 dB(A)	
Vibrace a_h	Zadní rukojeť	3,2 m/s ² K=1,5 m/s ²	2,872 m/s ² K=1,5 m/s ²
	Přední rukojeť	3,9 m/s ² K=1,5 m/s ²	3,536 m/s ² K=1,5 m/s ²

- Celková deklarovaná hodnota vibrací byla naměřena podle standardní zkušební metody a lze ji použít ke srovnání s jiným nářadím;
- Celkovou deklarovanou hodnotu vibrací lze použít také k předběžnému stanovení expozičních limitů.

POZNÁMKA: Emise vibrací při konkrétním použití elektrického nářadí se mohou lišit od deklarované hodnoty, při které se nářadí používá; z důvodu ochrany provozovatele by měl uživatel ve skutečných pracovních podmínkách nosit rukavice a chrániče sluchu.

OBSAH BALENÍ

NÁZEV DÍLU	MNOŽSTVÍ
Plotové nůžky	1
Kryt lišty	1
Návod k obsluze	1

POPIS

SEZNAMTE SE S VAŠIMI PLOTOVÝMI NŮŽKAMI (OBR. A)

1. Ochrana hrotu
2. Lišta
3. Chránič lišty
4. Přední pákový spínač
5. Přední rukojeť
6. Blokovací tlačítko
7. Zadní pákový spínač

8. Zadní rukojeť
9. „U“ háček
10. Zdířka
11. Chránič rukou
12. Kryt

VAROVÁNÍ: Tento výrobek byl expedován kompletně smontovaný. Chránič rukou se nesmí nikdy odstranit během používání. Poškozený chránič nechte ihned vyměnit kvalifikovaným servisním technikem.

VAROVÁNÍ: Bezpečné používání tohoto výrobku vyžaduje seznámení s informacemi na nářadí a v tomto návodu k obsluze a také s projektem, na kterém pracujete. Před použitím výrobku se seznamte se všemi provozními funkcemi a bezpečnostními zásadami.

POUŽITÍ

VAROVÁNÍ: Dbejte, abyste se po seznámení s výrobkem nestali neopatrní. Nezapomínejte, že stačí chvíle nepozornosti a může se stát vážný úraz.

VAROVÁNÍ: Vždy používejte ochranu očí s bočními štíty spolu s chráničem sluchu. Pokud tak neučiníte, může dojít k vyvrstvení předmětu do očí, nebo případně jiným vážným úrazům.

VAROVÁNÍ: Pokud provádíte montáž dílů, úpravy, čištění, nebo foukač nepoužíváte, vždy vyjměte akumulátor, aby nedošlo k neúmyslnému spuštění, které může způsobit vážný úraz.

VAROVÁNÍ: Nepoužívejte nástavce nebo příslušenství, které nedoporučuje společnost EGO™. Použití nedoporučených nástavců a příslušenství může vést k vážnému úrazu.

Před každým použitím zkontrolujte celý výrobek, zda není poškozen, nechybí nebo nejsou uvolněné žádné díly, jako např. vrtuty, matice, šrouby, uzávěry atd. Pevně utáhněte všechny upevňovací prvky a uzávěry a výrobek nepoužívejte, dokud se nevymění všechny chybějící nebo poškozené díly.

Výrobek lze používat za deště.

INSTALACE/VYJMUTÍ AKUMULÁTORU

Používejte pouze akumulátory a nabíječky uvedené na obr. A.

Před prvním použitím akumulátor nabijte.

Instalace (obr. B & C & D)

Zasuňte zástrčku do plotových nůžek se zarovnaným ▲

logem na zástrčce a plotových nůžkách, dokud se zelené těsnění zcela nezasune do zásuvky.

Namontujte kabel akumulátoru do „U“ háčku.

Odstranění (obr. E)

Uvolněte kabel akumulátoru z „U“ háčku a vytáhněte zástrčku z plotových nůžek.

SPUŠTĚNÍ/VYPNUTÍ PLOTOVÝCH NŮŽEK

Před spuštěním sejměte kryt a drže nůžky oběma rukama, jednou za zadní a druhou za přední rukojeť. Pak zkontrolujte vyvážený postoj, správné postavení a správnou stříhací vzdálenost.

VAROVÁNÍ: Plotové nůžky držte vždy oběma rukama za rukojeť. Nikdy nedržte jednou rukou keř a druhou ovládejte plotové nůžky. Pokud se nebudete řídit tímto varováním, může dojít k vážnému úrazu.

VAROVÁNÍ: Při zastavení plotových nůžek přepněte blokovací tlačítko do polohy „OFF“ (VYP) před vyjmutím akumulátoru. Pokud se nebudete řídit tímto varováním, může dojít k vážnému úrazu.

Spuštění

Zatlačte blokovací tlačítko do polohy „ON“ (ZAP) (obr. F) a poté stiskněte zadní spínač. Se zmáčknutým zadním spínačem pokračujte stisknutím předního pákového spínače pro spuštění.

Opis částí na obr. F viz níže:

F-1	Blokovací tlačítko
F-2	Zadní pákový spínač

Zastavení

Uvolněte jeden ze spínačů pro zastavení a přepněte vypínač do polohy „OFF“, aby nedošlo k náhodnému spuštění.

POZNÁMKA: Aby se plotové nůžky spustily, musí se stlačit obě páky spínače.

JAK DRŽET PLOTOVÉ NŮŽKY

S lištou směřující od vás držte nůžky oběma rukama, jednou přední a druhou zadní rukojeť. Pro různé typy stříhání jsou vhodné tři různé směry držení (obr. G, H a I).

POUŽITÍ PLOTOVÝCH NŮŽEK

VAROVÁNÍ: Pokud lišta uvízne na elektrickém kabelu nebo vedení, **NEDOTÝKEJTE SE LIŠTY! MŮŽE SE STÁT ELEKTRICKÝ VODIVOU A VELMI NEBEZPEČNOU.**

Držte nadále plotové nůžky za izolovanou zadní rukojeť, nebo je položte v bezpečné vzdálenosti od sebe. Než se pokusíte uvolnit lištu z vedení nebo kabelu, odpojte je z elektrické sítě. Nedodržení tohoto varování povede k vážnému úrazu nebo dokonce smrti.

VAROVÁNÍ: Aby nedošlo k vážnému úrazu, nedotýkejte se rukama lišty. Nepokoušejte se odstranit stříhaný materiál ani jej nedržte, pokud je lišta v pohybu. Před odstraněním zablokovaného materiálu z lišty zkontrolujte, že se lišta zastavila a akumulátor je vyjmutý. Plotové nůžky nezdvíhejte ani nedržte za odhalenou střížnou lištu nebo za nože.

VAROVÁNÍ: Před každým použitím m vyčistěte prostor, kde budete stříhat. Odstraňte všechny předměty, jako např. kabely, světla, vodiče nebo šňůry, které se mohou zamotat do střížné lišty a způsobit riziko vážného úrazu.

VAROVÁNÍ: Vyhněte se stříhání nadměrného množství najednou nebo skrz husté křoví. Lišta může uvíznout, zpomalit a tím se sníží účinnost stříhání.

POZNÁMKA: U nového porostu je vhodný široký záběr, aby se větve dostaly přímo do střížné lišty. U staršího porostu je vhodný pilový pohyb pro stříhání silnějších větví. Pro stříhání silných větví je vhodné použít nejprve ruční nebo prořezávací pilu.

Horní stříhání

Použijte pohyb se širokým záběrem. Nejlepších výsledků stříhání dosáhnete při mírném naklonění střížné lišty směrem dolů ve směru pohybu. Pro dosažení lepšího účinku stříhání můžete použít k vedení úrovně nůžek šňůru, jak je znázorněno na obr. J.

Boční stříhání

Při stříhání bočních stran křovin začněte dole a stříhejte směrem nahoru, jak je znázorněno na obrázku K.

Chránič hrotu

Chránič hrotu (obr. L) usnadňuje stříhání v blízkosti země nebo podél zdí a chrání zvláštní střížnou lištu před poškozením.

Chránič čepele

Vnější část čepele je tvarována jako chrániče čepele (obr. M).

Obr. M s popisem dílů:

M-1	Čepel
M-2	Chránič čepele

VAROVÁNÍ: Vždy zkontrolujte, zda chránič čepele není poškozen nebo zdeformován. Vyměňte ho, pokud je ohnutý nebo poškozený.

ÚDRŽBA

VAROVÁNÍ: Při opravách používejte pouze originální náhradní díly. Použití jiných dílů může být rizikem nebo způsobit poškození výrobku. Z důvodu bezpečnosti by měl

všechny opravy provádět kvalifikovaný servisní technik.


VAROVÁNÍ: Aby nedošlo k vážnému úrazu, vždy při čištění nebo jiné údržbě vyjměte z výrobku akumulátor.

ČIŠTĚNÍ

- Měkkým hadrem odstraňte nečistoty ze všech přívodů vzduchu střížné lišty.
- Pokud chcete odstranit pryskyřici nebo jiné lepidlo zbytky, nastříkejte lištu rozpouštědlem pryskyřic. Krátce spusťte motor tak, aby se rozpouštědlo rovnoměrně rozptýlilo.
- Setřete povrch suchým hadrem.

VAROVÁNÍ: K čištění plastových dílů nepoužívejte rozpouštědla. Většina plastů je náchylná k poškození různými typy komerčních rozpouštědel. K odstranění nečistot, prachu, oleje, maziva atd. použijte čistý hadr.

BROUŠENÍ STŘÍŽNÉ LIŠTY

1. Vyjměte akumulátor z plotových nůžek.
2. AHB6500S/AHB7500S: Uchopte sestavu lišty do svéráku a zaostřete exponovanou řeznou plochu každého zubu lišty. Odstraňte co nejmenší množství materiálu. AHB6500/AHB7500 (s  a „KALENÁ“ na povrchu lišty): Uchopte sestavu lišty do svéráku a zaostřete exponovanou řeznou plochu diamantovým pilníkem nebo nízkorychlostní bruskou (rychlost otáčení < 2 500 min⁻¹, rychlost posuvu < 60 mm/min, zrnitost > 100). Odstraňte co nejmenší množství materiálu.
3. Vyjměte plotové nůžky ze svéráku a nastavte neostřěnou čepel tak, aby ji bylo možné naostřit.

Zopakujte výše uvedený postup pro všechny zuby čepele.

POZNÁMKA: Neprovazujte plotové nůžky s tupou nebo poškozenou střížnou lištou. Může to způsobit přetížení a neuspokojivé výsledky řezání.

POZNÁMKA: Běžný ocelový pilník není vhodný pro ostření speciální čepele AHB6500/AHB7500

POZNÁMKA: Během broušení bruskou s nízkým počtem otáček (rychlost otáčení < 2500 min⁻¹) nepřetržitě zalévejte vodou zuby ostří.

MAZÁNÍ PLOTOVÝCH NŮŽEK

VAROVÁNÍ: Mazání neprovádějte, když jsou plotové nůžky stále připojené k baterii nebo jsou v provozu.

Mazání lišty

Pro optimální provoz a delší životnost lišty namažte ostří plotových nůžek lehkým strojovým olejem před a po

každém použití.

Vyjměte akumulátor a položte nůžky na rovný povrch. Olej nanášíte podél okraje horní čepele (obr. N).

Mazání převodové skříně

Pro nejlepší provoz a delší životnost mažte převodovou skřín plotových nůžek speciálním mazivem (přibližně 5-6 g v #1 a 10-12 g v #2) po každých 50 hodinách provozu.

Speciální mazivo musí splňovat následující požadavky.

1. Patří do DIN51818: Stupeň kuželové penetrace NLGI-2.
2. Skládá se z polymočovinového zahušťovadla + syntetického mazacího oleje
3. Vynikající spouštění při nízkých teplotách, EP, mechanický stříh, odolnost proti otěru a vlastnosti oxidativní stability.
4. Provozní teplota musí být od -40 do 180°C.

Odpojte zástrčku akumulátoru a dva těsnící šrouby (obr. O). Mažte převodovou skřín přes otvor pro olej.

UPOZORNĚNÍ: Nepřehřejte převodovou skřín mazivem.

PŘEPRAVA A SKLADOVÁNÍ

- Před uskladněním nebo přepravou plotových nůžek vždy nasadte kryt lišty. Dávejte pozor na ostré zuby lišty.
- Před uskladněním plotové nůžky řádně vyčistěte.
- Plotové nůžky skladujte v interiéru, na suchém místě, které je mimo dosah dětí.
- Uchovávejte ji v bezpečné vzdálenosti od korozivních látek, jako jsou chemické látky a rozmrazovací soli.

⚠ VAROVÁNÍ: Lišty jsou ostré. Při manipulaci se sestavou lišt používejte protiskluzové, odolné ochranné rukavice. Nestrkejte ruce ani prsty mezi lišty ani na žádné jiné místo, kde by mohlo dojít k jejich sevření nebo uříznutí. NIKDY se nedotýkejte lišt ani neprovádějte servis s instalovaným akumulátorem.

Ochrana životního prostředí



Elektrické zařízení, použité baterie nabíječku nevhazujte do domovního odpadu! Tento výrobek předejte autorizované recyklační společnosti ke tříděnému sběru. Elektrické nářadí musí být vráceno do zařízení pro ekologickou recyklaci.

ODSTRAŇOVÁNÍ PROBLÉMŮ

PROBLÉM	PŘÍČINA	ŘEŠENÍ
Plotové nůžky nefungují.	<ul style="list-style-type: none"> ■ Akumulátor není připojen k plotovým nůžkám nebo není žádný elektrický kontakt mezi plotovými nůžkami a baterií. 	<ul style="list-style-type: none"> ■ Vraťte akumulátor do plotových nůžek.
	<ul style="list-style-type: none"> ■ Akumulátor je vybitý. 	<ul style="list-style-type: none"> ■ Nabijte akumulátor s určenou nabíječkou.
	<ul style="list-style-type: none"> ■ Blokovací tlačítko nebylo posunuto do polohy „ON“ před stlačením spínače . 	<ul style="list-style-type: none"> ■ Před použitím nůžek zkontrolujte, zda je blokovací tlačítko odemčeno.
	<ul style="list-style-type: none"> ■ Akumulátor nebo plotové nůžky jsou příliš horké. 	<ul style="list-style-type: none"> ■ Nechejte akumulátor nebo plotové nůžky zchladnout na normální teplotu.
	<ul style="list-style-type: none"> ■ Lišta se zablokovala. 	<ul style="list-style-type: none"> ■ Vyměňte akumulátor z nářadí. Opatrně odstraňte překážku a znovu vložte akumulátor a restartujte nástroj.
	<ul style="list-style-type: none"> ■ Plotové nůžky jsou přetížené. 	<ul style="list-style-type: none"> ■ Změňte zatížení stroje.
Nadměrné vibrace nebo hluk.	<ul style="list-style-type: none"> ■ Suché nebo zkorodované lišty. 	<ul style="list-style-type: none"> ■ Namažte lištu.
	<ul style="list-style-type: none"> ■ Lišty nebo podpěra lišt jsou uhnuté. 	<ul style="list-style-type: none"> ■ Vyměňte za novou lištu nebo podpěru. Kontaktujte servisní středisko EGO pro podporu nebo výměnu lišty.
	<ul style="list-style-type: none"> ■ Ohnuté nebo poškozené zuby. 	<ul style="list-style-type: none"> ■ Vyměňte za novou lištu. Výměnu lišty zajistí servisní středisko společnosti EGO.
	<ul style="list-style-type: none"> ■ Povolte šrouby lišt. 	<ul style="list-style-type: none"> ■ Dotáhněte šrouby lišt. Použijte klíč, matici utáhněte ve směru hodinových ručiček.

CZ

ZÁRUKA

ZÁRUKA SPOLEČNOSTI EGO

Úplné záruční podmínky společnosti EGO naleznete na webové stránce egopowerplus.eu.

PREČÍTAJTE SI VŠETKY POKYNY!



PREČÍTAJTE SI NÁVOD NA OBSLUHU.

VAROVANIE: Pre zaistenie bezpečnosti a spoľahlivosti je nevyhnutné, aby všetky opravy a výmeny vykonával len kvalifikovaný servisný technik.

BEZPEČNOSTNÉ SYMBOLY

Účelom bezpečnostných symbolov je upozorniť vás na možné nebezpečenstvá. Venujte príslušnú pozornosť a pochopte bezpečnostné symboly a ich vysvetlenia. Varovné symboly, samy o sebe, nedokážu eliminovať nebezpečenstvo.

Pokyny a varovania, ktoré obsahujú, nie sú náhradou za vhodné opatrenia na prevenciu úrazov.

VAROVANIE: Pred použitím tohto nástroja si prečítajte a pochopte všetky bezpečnostné pokyny v tomto návode na obsluhu, vrátane všetkých bezpečnostných výstražných symbolov, ako sú „**NEBEZPEČENSTVO**“, „**VAROVANIE**“ a „**UPOZORNENIE**“. Nedodržanie nižšie uvedených pokynov môže mať za následok úraz elektrickým prúdom, požiar a / alebo vážne zranenie.

VÝZNAM SYMBOLU

BEZPEČNOSTNÝ VÝSTRAŽNÝ SYMBOL:

Označuje **NEBEZPEČENSTVO**, **VAROVANIE** alebo **UPOZORNENIE**. Môže byť použitý v spojení s inými symbolmi alebo piktogramami.

VAROVANIE: Prevádzka akéhokoľvek elektrického náradia môže viesť k vyvráteniu cudzích predmetov do vašich očí, čo môže spôsobiť vážne poškodenie zraku. Skôr, ako začnete používať elektrické náradie, si vždy nasadte ochranné okuliare alebo ochranné okuliare s postrannými krytmi a prípadne celotvárový štít. Odporúčame použiť bezpečnostnú masku Wide Vision cez okuliare alebo štandardné bezpečnostné okuliare s postrannými krytmi.

BEZPEČNOSTNÉ POKYNY

Táto strana zobrazuje a popisuje bezpečnostné symboly, ktoré sa objavujú na tomto výrobku. Pred pokusom o zostavenie a prevádzkovanie si prečítajte, pochopte a dodržiavajte všetky pokyny na stroji.

	Bezpečnostné upozornenie	Upozorňuje na potenciálne nebezpečenstvo úrazu.
	Prečítajte si návod na obsluhu	Ak chcete znížiť riziko zranenia, musíte si prečítať návod na obsluhu.
	Udržujte ruky a nohy v bezpečnej vzdialenosti od rezacieho nástroja.	Nikdy sa nepokúšajte ovládať náradie jednou rukou. Pri strate kontroly nad elektrickým náradím môže dôjsť k vážnemu alebo smrteľnému zraneniu. Aby sa znížilo riziko poranenia, udržiavajte ruky a nohy v bezpečnej vzdialenosti od rezacieho nástroja. Nikdy nepripájajte pohybujúci sa rezací nástroj rukou alebo akoukoľvek inou časťou tela.
	Používajte ochranu zraku.	Pri práci s týmto výrobkom vždy noste ochranné okuliare alebo ochranné okuliare s postrannými krytmi a celotvárový štít.
	Hluk	Garantovaná hladina akustického výkonu. Emisie hluku do prostredia podľa smernice Európskeho spoločenstva.
	CE	Tento výrobok je v súlade s platnými smernicami ES.
	UKCA	Tento výrobok je v súlade s príslušnou britskou legislatívou.
	WEEE	Nepotrebné elektrické výrobky sa nesmú likvidovať spolu s domovým odpadom. Odovzdajte do autorizovaného recyklačného strediska.
	Dĺžka čepele	Dĺžka čepele
	Rezná kapacita	Max. rezná kapacita čepele
	Symbol IP	Ochrana pred prúdom vody
	Volt	Napätie
	Jednosmerný prúd	Typ alebo charakteristika prúdu

SK

.../min	Za minútu	Otáčky za minútu
mm	Millimeter	Dĺžka alebo veľkosť
cm	Centimeter	Dĺžka alebo veľkosť
n_0	Rýchlosť bez zaťaženia	Rýchlosť otáčania, bez záťaže

VŠEOBECNÉ BEZPEČNOSTNÉ UPOZORNENIE PRE ELEKTRICKÉ NÁRADIE

⚠ VAROVANIE: Prečítajte si všetky bezpečnostné výstrahy, pokyny, ilustrácie a technické údaje dodané s týmto elektrickým nástrojom. Nedodržanie nižšie uvedených pokynov môže mať za následok úraz elektrickým prúdom, požiar a / alebo vážne zranenie.

Odložte si všetky varovania a pokyny pre budúce použitie.

Termín „elektrické náradie“ vo varovaniach znamená váš elektrický prístroj zapojený (cez kábel) do prívodu elektrickej energie alebo napájaný (bezdrôtovo) z batérie.

BEZPEČNOSŤ PRACOVISKA

- **Udržiavajte pracovisko čisté a dobre osvetlené.** Neporiadok a tmavé priestory vedú k úrazom.
- **Nepoužívajte elektrické náradie vo výbušnom prostredí, napríklad v prítomnosti horľavých kvapalín, plynov alebo prachu.** Elektrické náradie vytvára iskry, ktoré môžu zapáliť prach alebo výpary.
- **Pri používaní elektrického náradia udržiavajte deti a okolostojace osoby mimo pracoviska.** Pri rozptyľovaní môžete stratiť kontrolu.

ELEKTRICKÁ BEZPEČNOSŤ

- **Prípojovacia zástrčka musí zodpovedať zásuvke. Nikdy neupravujte zástrčku akýmkoľvek spôsobom. Nepoužívajte žiadne rozbočovacie zástrčky s uzemneným elektrickým náradím.** Neupravené zástrčky a príslušné zásuvky obmedzia nebezpečenstvo úrazu elektrickým prúdom.
- **Zabráňte kontaktu tela s uzemnenými povrchmi, ako sú rúry, radiátory, sporáky a chladničky.** Dochádza k zvýšeniu rizika úrazu elektrickým prúdom, ak je vaše telo uzemnené.
- **Nevystavujte elektrické náradie dažďu alebo vlhkým podmienkam.** Voda vniknutá do elektrického náradia zvyšuje nebezpečenstvo úrazu elektrickým prúdom.
- **Nepoškodzujte kábel akumulátora. Nikdy nepoužívajte kábel na nosenie, ťahanie alebo odpájanie náradia. Udržujte kábel v dostatočnej vzdialenosti od zdrojov tepla, oleja, ostrých hrán**

alebo pohyblivých častí. Poškodené alebo zamotané káble zvyšujú riziko úrazu elektrickým prúdom.

- **Ak pracujete s elektrickým náradím vonku, použite predžiaci kábel vhodný na vonkajšie použitie.** Použitie kábla vhodného na vonkajšie použitie znižuje riziko úrazu elektrickým prúdom.
- **Ak je používanie elektrického náradia vo vlhkom prostredí nevyhnutné, použite napájanie chránené prúdovým chráničom.** Použitie prúdového chrániča znižuje riziko úrazu elektrickým prúdom.

BEZPEČNOSŤ OSÔB

- **Buďte pozorní, sledujte to, čo robíte a používajte zdravý rozum pri práci s elektrickým náradím. Nepoužívajte elektrické náradie, ak ste unavení alebo pod vplyvom drog, alkoholu alebo liekov.** Chvilková nepozornosť pri práci s elektrickým náradím môže mať za následok vážne zranenie.
- **Používajte osobné ochranné pomôcky. Vždy používajte ochranu očí.** Ochranné prostriedky ako respirátor, protišmyková bezpečnostná obuv, prilba alebo chrániče sluchu použité za vhodných podmienok znižujú nebezpečenstvo zranenia.
- **Zabráňte náhodnému spusteniu. Pred pripojením k zdroju napájania a/alebo akumulátora, pri zdvíhaní alebo prenášaní nástroja sa uistite, že prepínač je vo vypnutej polohe.** Prenášanie náradia s prstom na spínači, alebo prenášanie zapnutého elektrického náradia zvyšuje riziko úrazu.
- **Pred zapnutím elektrického náradia odstráňte akékoľvek nastavovacie nástroje alebo kľúče.** Nástroj alebo kľúč, ktorý zostane pripojený na rotujúcu časť stroja, môže spôsobiť zranenie.
- **Neprečunujte sa. Pri práci vždy dodržujte správny postoj a rovnováhu.** Umožňuje to lepšiu kontrolu elektrického náradia v neočakávaných situáciách.
- **Noste vhodné oblečenie. Nenoste šperky alebo voľný odev. Udržujte vlasy a oblečenie mimo dosah pohybujúcich sa častí.** Voľné odevy, šperky alebo dlhé vlasy môžu zachytiť pohybujúce sa časti.
- **Pokiaľ je náradie vybavené zariadením na zachytávanie prachu a úlomkov materiálu, skontrolujte, či je k náradium správne pripevnené.** Použitie odsávania prachu môže znížiť nebezpečenstvo, ktoré súvisí s prachom.
- **Nedovoľte, aby ste sa po získaní skúsenosti častým používaním nástrojov stali neobzretnými a ignorovali zásady bezpečnosti.** Nedbalá činnosť môže spôsobiť vážne zranenie za zlomok sekundy.

POUŽÍVANIE A STAROSTLIVOSŤ O ELEKTRICKÉ NÁRADIE

- **Stroj nepreťažujte. Používajte správne náradie na vašu prácu.** Správne elektrické náradie bude pracovať lepšie a bezpečnejšie pri rýchlosti, na ktorú bolo určené.
- **Nepoužívajte elektrické náradie v prípade, že vypínač nie je možné zapnúť a vypnúť.** Akékoľvek elektrické náradie, ktoré sa nedá ovládať vypínačom je nebezpečné a musí sa opraviť.
- **Pred akýmkoľvek nastavením, výmenou príslušenstva alebo pred uložením nepoužívaného elektrického náradia odpojte akumulátor, ak sa to dá.** Tieto preventívne bezpečnostné opatrenia znižujú riziko náhodného spustenia náradia.
- **Uchovávajte nepoužívané elektronáradie mimo dosahu detí a nedovoľte, aby osoby neoboznámene s elektrickým náradím alebo s týmito pokynmi náradie používali.** Elektrické náradie je nebezpečné v rukách neskúsených používateľov.
- **Udržujte elektrické náradie a príslušenstvo. Skontrolujte nastavenie pohyblivých častí, poškodenie dielov a akékoľvek ďalšie okolnosti, ktoré môžu mať vplyv na funkciu elektrického náradia.** Ak je elektrické náradie poškodené, nechajte ho pred použitím opraviť. Veľa úrazov je zapríčinených zle udržiavaným náradím.
- **Rezacie nástroje udržiavajte ostré a čisté.** Starostlivo ošetrované rezné nástroje s ostrými čepeľami menej pravdepodobne uviaznu a jednoduchšie sa ovládajú.
- **Používajte elektrické náradie, príslušenstvo, nášady a pod. podľa týchto pokynov s prihliadnutím na pracovné podmienky a prácu, ktorá má byť vykonaná.** Použitie elektrického náradia na iné ako určené účely môže viesť k nebezpečným situáciám.
- **Udržujte rukoväte a uchopovacie plochy suché, čisté, bez oleja a maziva.** Klzke držiadla a uchopovacie plochy neumožňujú bezpečnú manipuláciu s nástrojom a jeho ovládanie v nečakaných situáciách.

POUŽÍVANIE A STAROSTLIVOSŤ O NÁRADIE NA BATERIE

- **Nabíjajte iba nabíjačkou určenou výrobcom.** Nabíjačka vhodná pre jeden typ akumulátora môže spôsobiť riziko požiaru pri použití s iným akumulátorom.
- **Používajte elektrické náradie iba s výslovné určenými akumulátormi.** Použitie iných akumulátorov môže spôsobiť riziko úrazu a požiaru.
- **Pokiaľ akumulátor nepoužívate, držte ho mimo dosahu kovových predmetov, ako sú kancelárske sponky na papier, mince, kľúče, kince, skrutky alebo ďalšie drobné kovové predmety, ktoré môžu spôsobiť vzájomné skratovanie vývodov.** Skratovanie kontaktov akumulátora môže spôsobiť

popálenie alebo požiar.

- **V nevhodných podmienkach môže kvapalina unikáť z batérie. Zabráňte kontaktu.** Pri náhodnom kontakte opláchnite vodou. Pri zasiahnutí očí vyhľadajte lekársku pomoc. Unikajúca kvapalina z akumulátora môže spôsobiť podráždenie pokožky alebo popálenie.
- **Dodržujte všetky pokyny pre nabíjanie a nenabíjajte akumulátor alebo nástroj mimo rozsah teplôt uvedených v pokynoch.** Nesprávne nabíjanie alebo nabíjanie pri teplotách mimo stanovený rozsah môže poškodiť akumulátor a zvýšiť riziko požiaru.
- **Nepoužívajte akumulátor alebo nástroj, ktorý je poškodený alebo upravený.** Poškodené alebo upravené batérie môžu mať nepredvídateľné chovanie, ktoré môže viesť k požiaru, výbuchu alebo nebezpečenstvu poranenia.
- **Nevystavujte akumulátor ani nástroj ohňu alebo nadmernej teplote.** Pri vystavení ohni alebo teplote nad 100 °C môže dôjsť k výbuchu.

Oprava

- **Nechajte vaše elektrické náradie opraviť kvalifikovanou osobou s použitím iba identických náhradných dielov.** Tým sa zabezpečí, že bezpečnosť stroja zostane zachovaná.
- **Nikdy neopravujte poškodený akumulátor.** Servis akumulátorov smie robiť iba výrobca alebo autorizovaní poskytovatelia služieb.

BEZPEČNOSTNÉ POKYNY PRE NOŽNICE NA ŽIVÝ PLOT

- **Udržujte všetky časti tela mimo dosahu rezných čepeľí. Neodstraňujte rezaný materiál, alebo ho nepridržiavajte, keď sú čepele v pohybe. Uistite sa, že vypínač je vypnutý pri odstraňovaní zaseknutého materiálu.** Chvilková nepozornosť pri práci s nožnicami na živý plot môže mať za následok vážne zranenie.
- **Nožnice na živý plot prenášajte za držiadlo so zastavenou čepeľou.** Pri preprave alebo skladovaní nožníc na živý plot vždy nasadte kryt na rezné plochy. Správna manipulácia s nožnicami na živý plot znižuje možnosť úrazu ostrým čepele.
- **Elektrické náradie držte len za izolované rukoväte, pretože čepele môžu prísť do kontaktu so skrytým vedením.** Pri kontakte so „živým“ vodičom sa môžu obnažené kovové časti náradia stať „živými“ a môžu spôsobiť obsluhu elektrický šok.
- **Kábel batérie udržiavajte mimo priestor strihania.** Počas práce môže byť kábel skrytý v krikoch a môže dôjsť k jeho náhodnému prerezaniu lištou.

SK

- Pred začiatkom práce skontrolujte kríky na cudzie predmety, napr. drôtené oplotenie.
- Používajte nožnice na živý plot len so správne nasadeným ochranným krytom. Použitie nožnic na živý plot bez riadneho ochranného krytu môže spôsobiť vážne zranenia!
- **Pri ovládaní nožnic na živý plot používajte obe ruky. Pri manipulácii len s jednou rukou môže dôjsť k strate kontroly a vzniku vážneho poranenia.**

DÔLEŽITÉ BEZPEČNOSTNÉ POKYNY

- Nedobíjajte batériu v daždi alebo vo vlhkom prostredí.
- Pred likvidáciou musí byť akumulátor odstránený zo spotrebiča.
- Nechytajte obnažené rezné čepele pri zdvíhaní alebo držaní nožnic na živé ploty.
- Nepoužívajte na rebríku, streche, strome alebo v inej nestabilnej podpore. Stabilné postavenie na pevnom povrchu umožňuje lepšiu kontrolu nad nožnicami na živý plot pri neočakávaných situáciách.
- Nikdy nedovoľte deťom obsluhovať nožnice na živý plot.
- Nikdy neodstraňujte, alebo nemanipulujte s bezpečnostnými zariadeniami. Pravidelne kontrolujte ich správnu funkciu. Nikdy nerobte nič, čo by mohlo zasiahnuť do zamýšľanej funkcie bezpečnostného zariadenia alebo znížiť ochranu poskytovanú bezpečnostným zariadením.
- V pravidelných intervaloch kontrolujte upevňovacie skrutky čepele a motora na správne dotiahnutie. Tiež vizuálne skontrolujte poškodenie čepele (napr. ohnutie, prasknutie a opotrebovanie). Vymeňte čepel len za čepel EGO™.
- Vymeňte čepel, ak je ohnutá alebo prasknutá. Nevyvážená čepel spôsobuje vibrácie, ktoré by mohli poškodiť motorovú pohonnú jednotku, alebo spôsobiť zranenie.
- V prípade, že nástroj začne nezvyčajne vibrovať, vypnite motor a ihneď zistite príčinu.
- Nožnice sa používajú na rezanie konárov s priemerom menším ako 33 mm.
- Neumývajte s hadicou; zabráňte tomu, aby sa voda dostala do motora a elektrických pripojiek.
- Dodržujte pokyny pre mazanie a výmenu príslušenstva.
- Udržujte rukoväť suché, čisté, bez oleja a maziva.
- Odložte si tieto pokyny. Používajte ich často a poučte o používaní pokynov aj ostatných, ktorí môžu tento nástroj používať. Ak požičiate tento nástroj niekomu inému, požičajte mu aj tieto pokyny, aby sa zabránilo zneužitiu výrobku a prípadným zraneniam.

ODLOŽTE SI TIETO POKYNY!

TECHNICKÉ ÚDAJE

Napätie	56 V ---	56 V ---
Rýchlosť líšty	1800 /min	1800 /min
Dĺžka čepele	65 cm	75 cm
Rezná kapacita	31 mm	31 mm
Hmotnosť nástroja	4,1 kg	4,2 kg
Odporúčaná prevádzková teplota	0°C-40°C	0°C-40°C
Odporúčaná skladovacia teplota	-20°C-70°C	-20°C-70°C
Hladina akustického výkonu L_{WA}	90,1 dB(A) K=2,9 dB(A)	95,4 dB(A) K=1,52 dB(A)
Hladina akustického tlaku na sluch obsluhy L_{PA}	80,1 dB(A) K=3 dB(A)	83,9 dB(A) K=2,5 dB(A)
Zaručená úroveň akustického výkonu L_{WA} (podľa 2000/14/ES)	93 dB(A)	97 dB(A)
Vibrácie h	Zadná rukoväť	3,2 m/s ² K=1,5 m/s ²
	Predná rukoväť	3,9 m/s ² K=1,5 m/s ²
		2,872 m/s ² K=1,5 m/s ²
		3,536 m/s ² K=1,5 m/s ²

- Uvádzaná celková hodnota vibrácií bola meraná v súlade so štandardnou skúšobnou metódou a môže byť použitá na porovnanie jedného zariadenia s iným;
- Uvádzaná celková hodnota vibrácie sa môže použiť aj na predbežný odhad expozície.

POZNÁMKA: Emisia vibrácií pri skutočnom používaní náradia sa môže odlišovať od deklarovanej hodnoty, pri akej sa nástroj používa; Za účelom ochrany obsluhy má používateľ v skutočných podmienkach použitia nosiť rukavice a ochranu sluchu.

OBSAH BALENIA

Názov dielu	Množstvo
Nožnice na živý plot	1
Kryt	1
Návod na obsluhu	1

POPIS

SPOZNAJTE VAŠE NOŽNICE NA ŽIVÝ PLOT (obr. A)

1. Chránič hrotu

2. Lišta
3. Chránič lišty
4. Predný páčkový spínač
5. Predná rukoväť
6. Zaisťovacie tlačidlo
7. Zadný páčkový spínač
8. Zadná rukoväť
9. „U“ háčik
10. Objímka
11. Chránič rúk
12. Kryt

VAROVANIE: Tento výrobok sa dodáva kompletne zmontovaný. Ochranný kryt ruky sa počas používania nesmie nikdy odstrániť. Ak je poškodený, ihneď ho nechajte vymeniť kvalifikovaným servisným technikom.

VAROVANIE: Bezpečné používanie tohto výrobku vyžaduje pochopenie informácií o nástroji, pochopenie tohto návodu na obsluhu, ako aj znalosti o práci, ktorú sa pokúšate vykonávať. Pred použitím tohto výrobku sa oboznámte so všetkými prevádzkovými funkciami a bezpečnostnými pravidlami.

OBSLUHA

VAROVANIE: Nedovoľte, aby ste sa po zoznamení s týmto výrobkom stali neopatrnými. Zapamätajte si, že zlomok sekundy neopatrnosti postačuje na spôsobenie vážneho poranenia.

VAROVANIE: Vždy používajte ochranu zraku s bočnými ochrannými štími spolu s ochranou sluchu. Ak tak neurobite, môže dôjsť k vymršteniu predmetov do očí a iným možným vážnym zraneniam.

VAROVANIE: Aby sa zabránilo náhodnému spusteniu, ktoré by mohlo viesť k vážnemu zraneniu, vždy vyberte batériu z nástroja pri montáži dielov, vykonávaní úprav, čistení, alebo keď sa nepoužíva.

VAROVANIE: Nepoužívajte žiadne prídavné zariadenia alebo príslušenstvo, ktoré nie je odporúčané spoločnosťou EGO™. Používanie prídavných zariadení alebo príslušenstva, ktoré nie sú odporúčané, môže viesť k vážnemu zraneniu.

Pred každým použitím skontrolujte celý výrobok na poškodené, chýbajúce alebo uvoľnené diely, ako sú skrutky, matice, uzávery atď. Utlahnite všetky upevňovacie prvky a uzávery a nepoužívajte tento výrobok, kým nie sú vymenené všetky chýbajúce alebo poškodené diely.

Výrobok sa môže používať v daždi.

INŠTALÁCIA / VYBRATIE AKUMULÁTORA

Používajte iba s akumulátormi a nabíjačkami, ktoré sú uvedené na obr. A.

Nabite pred prvým použitím.

Inštalácia (obr. B & C & D)

Zasuňte zástrčku do nožnic na živý plot so zarovnaným ▲ logom na zástrčke a nožniciach, kým sa zelené tesnenie celkom nezasunie do zásuvky.

Namontujte kábel akumulátora do „U“ háčika.

Odstránenie (obr. E)

Uvoľnite kábel akumulátora z „U“ háčika a vytiahnite zástrčku z nožnic na živý plot.

SPUSTENIE / ZASTAVENIE NOŽNÍC NA ŽIVÉ PLOTY

Pred uvedením do prevádzky zložte chránič a držte nožnice obomi rukami, pričom jednu ruku majte na zadnej rukoväti a druhú na prednej rukoväti. Potom si skontrolujte vyvážené postavenie, vzpriamený postoj a správnu rezáciu vzdialenosť.

VAROVANIE: Vždy majte obe ruky na rukovätiach nožnic na živý plot. Nikdy nepridržujte kryky s jednou rukou, pričom druhou rukou by ste chceli ovládať nožnice na živý plot. Nerešpektovanie tohto upozornenia môže viesť k vážnemu zraneniu.

VAROVANIE: Pri zastavení nožnic na živý plot prepnite zaisťovacie tlačidlo to polohy „OFF“ (VYP) pred vybratím akumulátora. Nerešpektovanie tohto upozornenia môže viesť k vážnemu zraneniu.

Spustenie

Zatlačte zaisťovacie tlačidlo do polohy „ON“ (ZAP) (obr. F) a potom stlačte zadný spínač. So zatlačeným zadným spínačom pokračujte stlačením predného páčkového spínača pre spustenie.

Popis dielov na obr. F si pozrite nižšie:

F-1	Zaisťovacie tlačidlo
F-2	Zadný páčkový spínač

Zastavenie

Uvoľnite jeden zo spínačov pre zastavenie a prepnite vypínač do polohy „OFF“, aby nedošlo k náhodnému spusteniu.

POZNÁMKA: Ak chcete zapnúť nožnice na živý plot, musia byť obe páčkové spínače stlačené.

DRŽANIE NOŽNÍC NA ŽIVÉ PLOTY

S listou smerom od seba držte nožnice obomi rukami. Samostatne uchopte prednú a zadnú rukoväť. Pro různé

typy strihania sú vhodné tri rôzne smery držania (obr. G, H a I).

POUŽÍVANIE NOŽNÍC NA ŽIVÉ PLOTY

VAROVANIE: Ak sa lišta zasekne na akomkoľvek elektrickom kábli alebo vedení, **NEDOTÝKAJTE SA LIŠTY! MÔŽE BYŤ POD NAPÄTÍM A BYŤ VEĽMI NEBEZPEČNÁ.** Držte ďalej nožnice na živý plot za izolovanú zadnú rukoväť alebo ich bezpečným spôsobom položte dole a smerom od vás. Pred pokusom o uvoľnenie lišty z vedenia alebo kábla odpojte elektrické napájanie poškodeného vedenia alebo kábla. Nerešpektovanie tohto upozornenia môže viesť k vážnemu zraneniu alebo smrti.

VAROVANIE: Aby nedošlo k vážnemu zraneniu, udržiavajte ruky mimo dosahu čepelí. Nepokúšajte sa odstraňovať rezaný materiál, alebo ho nepridržiavajte, keď sú čepel v pohybe. Pred odstraňovaním zaseknutého materiálu z čepelí sa uistite, že sa čepel úplne zastavila a batéria bola vybratá. Nechytajte obnažené rezné čepel pri zdvíhaní alebo držaní nástroja.

VAROVANIE: Pred každým použitím vyčistite oblasť, ktorá má byť rezaná. Odstráňte všetky predmety, ako sú napríklad káble, svetlá, drôty, šnúry, ktoré by sa mohli zaplietť do rezacej čepel a ktoré vytvárajú riziko vážneho zranenia.

VAROVANIE: Neorezávajte príliš veľa materiálu naraz alebo príliš husté krovie. Môže to spôsobiť spomalenie a uviaznutie čepelí, čím sa zníži výkonnosť rezania.

POZNÁMKA: Pre mladý nárast je vhodný pohyb ako pri širokom zametaní, ktoré privádza vetvičky priamo do reznej čepel. Pre starší nárast je dobrý pohyb ako pri rezaní, ktoré orezáva silnejšie stonky. Na prvotné orezanie veľkých vetiev je vhodná ručná alebo prerezávacía píla.

Horné orezávanie

Použite široký zametací pohyb. Mierny sklon rezacej čepel smerom nadol v smere pohybu poskytuje najlepšie výsledky rezania. Pre lepší rezný efekt môžete tiež použiť špagat na vedenie nožnic vo vodorovnom smere, ako je znázornené na obr. J.

Bočné orezávanie

Pri strihaní bočnej strany živého plota začnite dole a režte smerom hore ako na obr. K.

Chránič hrotu

Chránič hrotu (obr. L) sa používa na ochranu vonkajšej strany čepel.

Chránič čepel

Vonkajšia časť čepelí je tvarovaná ako chrániče čepel (obr. M).

Obr. M s popisom dielov:

M-1	Čepel
M-2	Chránič čepel

VAROVANIE: Vždy skontrolujte, či chránič čepel nie je poškodený alebo deformovaný. Vymeňte ho, ak je ohnutý alebo poškodený.

ÚDRŽBA

VAROVANIE: Pri servise používajte iba identické náhradné diely. Použitie iných častí môže vyvolať nebezpečenstvo, alebo spôsobiť poškodenie výrobku. Pre zaistenie bezpečnosti a spoľahlivosti je nevyhnutné, aby všetky opravy vykonával len kvalifikovaný servisný technik.

VAROVANIE: Pri čistení alebo vykonávaní údržby vždy vyberte batériu z výrobku, aby nedošlo k vážnemu zraneniu.

ČISTENIE

- Použite mäkkú kefu na odstránenie nečistôt zo všetkých vstupov vzduchu a z čepel.
- Ak chcete odstrániť živicu a iné lepidlo zvyšky, nasprejajte čepel rozpúšťadlom na živice. Spustíte motor nakrátko tak, aby sa rozpúšťadlo rovnomerne rozptýlilo.
- Povrch poušterajte suchou handrou.

VAROVANIE: Na čistenie plastových dielov nepoužívajte rozpúšťadlá. Väčšina plastov je náchylná na poškodenie z rôznych typov komerčných rozpúšťadiel. Použite čisté handry na odstránenie nečistôt, prachu, oleja, maziva, atď.

NAOSTRENIE STRIŽNEJ LIŠTY

1. Vyberte akumulátor z nožnic na živý plot.
2. AHB6500S/AHB7500S: Upevnite zostavu lišty do zveráka a opliňte odhalenú reznú plochu každého čepelového zuba. Odstráňte čo najmenšie množstvo materiálu. AHB6500/AHB7500 (s „K“ a „KALENÁ“ na povrchu lišty): Uchopte zostavu lišty do zveráka a zaostrite odhalenú reznú plochu diamantovým pilníkom alebo nízkorychlostnou brúskou (rýchlosť otáčania < 2 500 min⁻¹, rýchlosť posuvu < 60 mm/min, zrnitosť > 100). Odstráňte čo najmenšie množstvo materiálu.
3. Vyberte nožnice na živý plot zo zveráka a nastavte si ďalšiu časť nenaostrenej čepel.

Opakujte vyššie uvedený postup, kým nie sú všetky čepelové zuby naostrené.

POZNÁMKA: Nepoužívajte nožnice na živý plot, ak sú rezné čepele tupé alebo poškodené. Môže to spôsobiť preťaženie a neuspokojivé výsledky rezania.

POZNÁMKA: Bežný oceľový pilník nie je vhodný na ostrenie špeciálnej čepele AHB6500/AHB7500.

POZNÁMKA: Počas brúsenia brúskou s nízkym počtom otáčok (rýchlosť otáčania < 2500 min⁻¹) nepretržite zalievajte vodou zuby ostria.

MAZANIE NOŽNICE NA ŽIVÉ PLOTY

VAROVANIE: Mazanie nevykonávajte, keď sú nožnice na živý plot stále pripojené na batériu alebo sú v prevádzke.

Mazanie čepele

Pre dosiahnutie čo najlepšej prevádzky a dlhšej životnosti čepele namažte nožnice na živý plot s ľahkým strojným olejom pred a po každom použití.

Vyberte akumulátor a položte nožnice na rovný povrch. Olej nanášajte pozdĺž okraja hornej čepele (obr. N).

Mazanie prevodovej skrine

Pre najlepšiu prevádzku a dlhšiu životnosť mažte prevodovú skriňu nožnic na živý plot špeciálnym mazivom (zakaždým 5-6 g v #1 a 10-12 g v #2) po každých 50 hodinách prevádzky.

Špeciálne mazivo musí spĺňať nasledujúce požiadavky.

1. Patrí do DIN51818: Stupeň kužeľovej penetrácie NLGI-2.
2. Skladá sa z polymočovinového zahusťovadla + syntetického mazacieho oleja
3. Vynikajúce spúšťanie pri nízkych teplotách, EP, mechanický strih, odolnosť proti oderu a vlastnosti oxidatívnej stability.
4. Prevádzková teplota musí byť od -40 do 180°C.

Odpojte zástrčku akumulátora a dve tesniace skrutky (obr. O). Mažte prevodovú skriňu cez otvor na olej.

UPOZORNENIE: Neprepínajte prevodovú skriňu mazivom.

PREPRAVA A SKLADOVANIE

- Pred uskladnením alebo prepravou nožnic na živý plot vždy nasadte kryt lišty. Buďte opatrní, aby nedošlo ku kontaktu s ostrými zubami lišty.
- Pred skladovaním dôkladne vyčistite nožnice na živý plot.
- Nožnice na živý plot skladujte v interiéri, na suchom mieste, ktoré je neprístupné deťom.

- Chráňte pred agresívnymi látkami, ako sú záhradné chemikálie a rozmrazovacie soli.

VAROVANIE: Čepele sú ostré. Pri manipulácii so zostavou čepelí používajte protišmykové, odolné ochranné rukavice. Nedávajte ruky alebo prsty medzi čepele, alebo na žiadne miesto, kde by mohli byť zovreté alebo porenané. NIKDY sa nedotýkajte čepelí, alebo neopravujte prístroj s vloženým akumulátorom.

Ochrana životného prostredia



Nevyhadzujte elektrické zariadenia, nabíjačku a použité akumulátory do domového odpadu! Tento výrobok odnesť na autorizované recyklačné miesto a poskytnite ho na separovaný zber. Elektrické náradie sa musí odovzdať do príslušného zariadenia na ekologicky šetrnú recykliáciu.

ODSTRAŇOVANIE PROBLÉMOV

PROBLÉM	PRÍČINA	RIEŠENIE
Nožnice na živý plot nefungujú.	<ul style="list-style-type: none"> ■ Akumulátor nie je pripojený nožnice na živý plot alebo nie je žiadny elektrický kontakt medzi nožnicami a batériou. 	<ul style="list-style-type: none"> ■ Vráťte akumulátor do nožnic na živý plot.
	<ul style="list-style-type: none"> ■ Akumulátor je vybitý. 	<ul style="list-style-type: none"> ■ Nabite akumulátor s určenou nabíjačkou.
	<ul style="list-style-type: none"> ■ Zaisťovacie tlačidlo nebolo posunuté do polohy „ON“ pred stlačením spínača. 	<ul style="list-style-type: none"> ■ Pred použitím nožnic skontrolujte, či je zaisťovacie tlačidlo odomknuté.
	<ul style="list-style-type: none"> ■ Akumulátor alebo nožnice na živý plot sú príliš horúce. 	<ul style="list-style-type: none"> ■ Nechajte akumulátor alebo nožnice na živý vychladnúť na bežnú teplotu.
	<ul style="list-style-type: none"> ■ Čepeľ sa zasekla. 	<ul style="list-style-type: none"> ■ Vyberte akumulátor z prístroja. Opatrne odstráňte prekážku a znovu vložte akumulátor a reštartujte náradie.
	<ul style="list-style-type: none"> ■ Nožnice na živý plot sú preťažené. 	<ul style="list-style-type: none"> ■ Zmenšite zaťaženie stroja.
Nadmerné vibrácie alebo hluk.	<ul style="list-style-type: none"> ■ Suché alebo skorodované čepele. 	<ul style="list-style-type: none"> ■ Namažte lištu.
	<ul style="list-style-type: none"> ■ Čepele alebo podpera čepele sú ohnuté. 	<ul style="list-style-type: none"> ■ Vymeňte za novú lištu alebo podperu. Kontaktujte servisní stredisko EGO pre podporu alebo výmenu lišty.
	<ul style="list-style-type: none"> ■ Ohnuté alebo poškodené zuby. 	<ul style="list-style-type: none"> ■ Vymeňte za novú čepeľ. Výmenu lišty zabezpečí servisné stredisko spoločnosti EGO.
	<ul style="list-style-type: none"> ■ Uvoľnené skrutky čepeľí. 	<ul style="list-style-type: none"> ■ Utiahnite čepeľové skrutky. Skrutky utiahnite pomocou kľúča v smere hodinových ručičiek.

SK

ZÁRUKA

ZÁRUČNÁ POLITIKA EGO

Navštívte webové stránky egopowerplus.eu pre úplné podmienky záručnej politiky spoločnosti EGO.

OLVASSA EL AZ ÖSSZES UTASÍTÁST!



OLVASSA EL A HASZNÁLATI ÚTMUTATÓT

FIGYELMEZTETÉS: A biztonságosság és megbízhatóság biztosítása érdekében minden javítást szakképzett szerviztechnikus hajtson végre.

BIZTONSÁGI SZIMBÓLUMOK

A biztonsági szimbólumok célja, hogy felhívják a figyelmet az esetleges veszélyekre. Nagyon figyeljen a biztonsági szimbólumokra és magyarázatokra, ill. ezek megértésére. A szimbólumok figyelmeztetéseit önagukban nem hártják el a veszélyeket.

Az utasítások és figyelmeztetések nem helyettesítik a megfelelő balesetmegelőző intézkedéseket.

FIGYELMEZTETÉS: A szerszám használata előtt feltétlenül olvassa el a jelen használati útmutató minden biztonsági utasítását, a „VESZÉLY”, „FIGYELMEZTETÉS” és „FIGYELEM” biztonsági szimbólumokat is. Az alább felsorolt utasítások be nem tartása áramütést, tűzveszélyt és/vagy súlyos személyi sérülést idézhet elő.

SZIMBÓLUM JELENTÉSE

BIZTONSÁGI SZIMBÓLUM: VESZÉLYT vagy **FIGYELMEZTETÉST** jelöl. Más szimbólumokkal vagy rajzokkal együtt használható.

FIGYELMEZTETÉS: Bármely elektromos kéziszerszám működtetése azzal járhat, hogy idegen tárgyak szembe kerülnek, amely súlyos szemsérüléseket okozhat. Az elektromos kéziszerszám működtetése előtt, mindig vegyen fel oldalsó védőlemezzel ellátott védőszemüveget és a teljes védőárlarcot, ha szükséges. Javasoljuk, hogy viseljen Wide Vision Safety Mask-ot (védőárlarc) a védőszemüveg fölött vagy standard védőszemüveget oldalsó védőlemezzel.

BIZTONSÁGI UTASÍTÁSOK

Ezen az oldalon olyan biztonsági szimbólumok láthatók és olvashatók, amelyek megjelenhetnek a terméken. Az összeszerelés vagy működtetés előtt olvassa el, érte se meg és tartsa be a gép minden utasítását.

	Biztonsági figyelmeztetés	Potenciális személyi sérülés veszélyét jelzi.
	Olvassa el a használati útmutatót	A sérülések kockázatának csökkentése érdekében a használatnak el kell olvasnia a használati útmutatót.
	A kezét és lábát tartsa távol a vágóegységétől.	Soha ne próbálja meg egy kézzel működtetni a kéziszerszámot. Amennyiben elveszíti az uralmát a kéziszerszám felett, az súlyos vagy halálos sérülést eredményezhet. A vágási sérülések veszélyének csökkentése érdekében tartsa távol a kezét és lábát a vágóegységétől. Soha ne érjen a vágóegységhez kézzel vagy más testrészével.
	Viseljen szemvédőt	Mindig viseljen védőszemüveget vagy oldalsó védőlemezzel ellátott védőszemüveget és teljes védőárlarcot a termék működtetése közben.
	Zaj	Garantált hangteljesítményszint. Környezetre ható zajkibocsátás a Európai Közösség irányelve szerint.
	CE	A termék megfelel az érvényes EK irányelveknek.
	UKCA	Ez a termék megfelel az alkalmazandó brit jogszabályoknak.
	WEEE	Az elhasznált elektromos termékek nem helyezhetők a háztartási hulladék közé. Vigye hivatalos újrahasznosító telephelyre.
	Kés hosszúsága	Penge hossza
	Vágási kapacitás	A penge max. vágási kapacitása
	IP szimbólum	Vízugár elleni védelem
	volt	Feszültség
	Egyenáram	Áram típusa vagy jellemzői
	.../min	Percenként
	mm	milliméter

HU

cm	centiméter	Hossz vagy méret
n_0	Üresjárat fordulatszám	Forgási sebesség üresjáraton

AZ ELEKTROMOS SZERSZÁMOKRA VONATKOZÓ ÁLTALÁNOS BIZTONSÁGI FIGYELMEZTETÉSEK

▲ FIGYELMEZTETÉS: Olvassa el az eszköz minden biztonsági figyelmeztetését, utasítását, ábráját és jellemzőjét. Az alább felsorolt utasítások be nem tartása áramütést, tűzveszélyt és/vagy súlyos sérülést idézhet elő.

Őrizzen meg minden figyelmeztetést és utasítást, hogy később is elő tudja majd venni.

Az „elektromos kéziszerszám” megnevezés a figyelmeztetéseken egyaránt vonatkozik a hálózati feszültségről meghajtott elektromos kéziszerszámokra (hálózati vezetékkel rendelkező elektromos kéziszerszámok), valamint az akkumulátorral működtetett elektromos kéziszerszámokra (hálózati vezeték nélküli elektromos kéziszerszámok).

MUNKATERÜLET BIZTONSÁG

- A munkaterület legyen tiszta és jól megvilágított. A munkahelyen uralkodó rendtelenségnek vagy a rossz megvilágításnak baleset lehet a következménye.
- Ne használjon elektromos szerszámokat robbanási veszélynek kitett környezetben, például olyan helyen, ahol éghető folyadékok, gázok vagy porok találhatóak. Az elektromos kéziszerszámok szikrákat képeznek, amelyek meggyújthatják a porokat vagy gázokat.
- Az elektromos kéziszerszám üzemeltetése közben tartsa távol a gyermekeket és a nézelődőket. Ha megzavarják, elveszítheti uralmát a készülék felett.

ELEKTROMOS BIZTONSÁG

- Vtíci elektríchni orodij se morajo prilegati vtícnícam. Vtíča nikoli ne smete spreminjati na kakršn koli način. Z ozemljenimi elektríchnimi orodiji ne uporabljajte spremenjenega vtíča. Nespremenjeni vtíci in pripadajoče vtíčnice bodo zmanjšali tveganje elektríčne udara.
- Kerülje el földelt felületek, mint pl. csövek, fűtőtestek, tűzhelyek vagy hűtőszekrények érintését. Az áramütés kockázata nagyobb, ha a teste le van földelve.
- Ne tegye ki az elektromos kéziszerszámot esőnek vagy nedves környezetnek. Az elektromos kéziszerszámba bekerülő víz megnöveli az áramütés kockázatát.
- Ne használja az akkumulátoregység vezetékeit helytelen módon. Soha ne használja a kábelt az

elektromos kéziszerszám hordozására, húzására vagy lecsatlakoztatására. Tartsa távol a vezetéket hőtől, olajtól, éles szegélyektől és mozgó alkatrészekről. A sérült vagy összegabalyodott hálózati kábelek megnövelik az áramütés veszélyét.

- Ha az elektromos kéziszerszámot a szabadban használja, akkor erre a célra kialakított hosszabbító vezetéket alkalmazzon. A szabadtéren használható kábel alkalmazása csökkenti az áramütés kockázatát.
- Ha elkerülhetetlen az elektromos kéziszerszám használata nedves helyen, használjon földelő áramköri megszakítóval ellátott tápellátást. A GFCI használata csökkenti az áramütés veszélyét.

SZEMÉLYI BIZTONSÁG

- Legyen figyelmes, ügyeljen arra, amit csinál, és józan ésszel fogjon a munkához, ha elektromos kéziszerszámot használ. Ne használjon elektromos kéziszerszámot, ha fáradt, kábítószert, alkoholt vagy gyógyszer befolyása alatt áll. Az elektromos kéziszerszám üzemeltetése közben egy pillanatnyi figyelmetlenség is súlyos személyi sérülést okozhat.
- Használjon személyi védőfelszerelést. Mindig viseljen védőszemüveget. A védőfelszerelések, mint például porvédő maszk, csúszásmentes lábbeli, sisak és hallásvédő, rendeltetésszerű használata révén elkerüli a sérülési veszélyeket.
- Akadályozza meg a véletlen indítást. Ügyeljen arra, hogy a kapcsoló kikapcsolt állásban legyen, mielőtt tápforrásra és/vagy akkumulátoregységre csatlakoztat, felveszi vagy viszi a szerszámot. Balesetekhez vezethet, ha a hálózatra csatlakoztatott szerszámot úgy viszi, hogy közben az uja a bekapcsoló gombon van, vagy ha a hálózati csatlakozódugót olyankor dugja be az aljzatba, amikor be van kapcsolva a szerszám.
- Vegye ki a szerszámkulcsot és a beállító szerszámot, mielőtt az elektromos kéziszerszámot bekapcsolná. Az elektromos kéziszerszám mozgó alkatrészén felejtett csavarkulcs vagy szerszám személyi sérülést okozhat.
- Ne hajoljon a gép fölé. Vegyen fel stabil testhelyzetet, és mindig tartsa meg az egyensúlyát. Ezáltal jobban tudja irányítani az elektromos kéziszerszámot a legváratlanabb helyzetben is.
- Viseljen megfelelő ruhát. Ne viseljen laza ruházatot vagy ékszereket. Tartsa távol haját és ruházatát a mozgó alkatrészekről. A laza ruházatot, az ékszert vagy a hosszú hajat becsíphetik a mozgó alkatrészek.
- Ha az elektromos kéziszerszámot porfelszívó vagy porlefogó eszközzel szerelik fel, akkor győződjön

meg arról, hogy ezek előírászerűen vannak-csatlakoztatva, és használja őket a rendelkezésüknek megfelelően. Porgyűjtő használata csökkentheti a porral járó veszélyeket.

- A készülék rendszeres használata után se legyen soha túl magabiztos, és ne hagyja figyelmen kívül a biztonsági elveket. A gondatlan kezelés a másodperc töredéke alatt balesetet okozhat.

A KÉZI SZERSZÁMGÉP ÜZEMELTETÉSE ÉS GONDOZÁSA

- Ne terhelje túl az elektromos kéziszerszámot. A munkájához használja az arra alkalmas elektromos kéziszerszámot. A megfelelő elektromos kéziszerszámmal jobban és biztonságosabban dolgozhat a megadott teljesítményhatárokon belül.
- Ne használja az elektromos kéziszerszámot, ha nem lehet a bekapcsoló segítségével be- vagy kikapcsolni. Az olyan elektromos kéziszerszám, amely nem irányítható a kapcsolóval, veszélyes és javításra szorul.
- Húzza ki a hálózati csatlakozó dugót az aljzataból, és/vagy vegye ki az akkumulátoregységet, mielőtt beállításokat végezne, tartozékokat cserélne vagy az elektromos kéziszerszámot félretenné. Az ilyen megelőző biztonsági óvintézkedések csökkentik az elektromos kéziszerszám véletlen beindításának kockázatát.
- A használaton kívüli elektromos kéziszerszámokat gyermekektől távol tartsa, és ne engedje meg, hogy olyan személyek használják az elektromos kéziszerszámot, akik nem ismerik azt, vagy nincsenek tisztában ezekkel a biztonsági utasításokkal. Az elektromos kéziszerszámok veszélyt jelentenek a gyakorlatlan felhasználó kezében.
- Tartsa karban az elektromos kéziszerszámokat és tartozékokat. Ellenőrizze a mozgó részek beállítását és rögzítését, vizsgáljon meg minden részt, nem sérült-e, és ellenőrizze, nem állnak-e fenn olyan körülmények, amelyek befolyásolhatják az elektromos szerszámok helyes kezelését. Ha sérült, használat előtt javíttassa meg az elektromos szerszámot. A rosszul karbantartott elektromos kéziszerszámok sok balesetet okoznak.
- A vágószerszámok legyenek mindig élesek és tiszták. A megfelelően karbantartott és kiélezett vágószékekkel rendelkező vágószerszámok kevésbé hajlamosak az elgöbülésre, valamint könnyebben kezelhetők.

- Az elektromos kéziszerszámot, tartozékokat, vágóféléteket, stb. mindig ezen biztonsági utasításoknak megfelelően használja, mindig vegye figyelembe a munkakörülményeket, és legyen tekintettel a megmunkálandó munkadarabra. Az elektromos kéziszerszámoknak az előírt rendeltetési céltól eltérő célra való használata veszélyes.
- Tartsa szárazon, tisztán, olajtól és zsírtól mentesen a fogantyúkat és megfogható felületeket. Ha csúszósak a fogantyúk és megfogható felületek, akkor váratlan helyzetben nem lehet biztonságosan kezelni a készüléket.

AZ AKKUMULÁTORRAL MŰKÖDŐ SZERSZÁM ÜZEMELTETÉSE ÉS GONDOZÁSA

- Csak a gyártó által meghatározott töltőt használja. Az olyan töltő, amely egy típusú akkumulátoregységhez alkalmas, tűzveszélyt okozhat, ha más típusú akkumulátoregységhez használja.
- Az elektromos kéziszerszámokat csak speciálisan meghatározott akkumulátoregységekkel használja. Bármely más akkumulátoregység használata sérülés- vagy tűzveszélyt okozhat.
- Amikor nem használja az akkumulátoregységet, tartsa távol más fémtárgyaktól, például gemkapocs, érmék, kulcsok, tűk, csavarok vagy más kis fémtárgyak, amelyek kapcsolatba léphetnek vele. Amennyiben együtt tartja az akkumulátorokat, az égési sérülést vagy tüzet okozhat.
- Nem megfelelő körülmények között folyadék szívároghat az akkumulátorból; ne érjen ehhez. Amennyiben véletlenül hozzáérne, mossa le vízzel. Ha ez a folyadék szembe kerül, kiegészítőleg forduljon orvoshoz. Az akkumulátorból kiszivárgó folyadék irritációt vagy égést okozhat.
- Tartsa karban minden töltésre vonatkozó utasítást, és ne töltsen az akkumulátoregységet vagy a szerszámot az útmutatóban meghatározott hőmérséklet-tartományon kívül. Ha a töltést nem megfelelően vagy meghatározott hőmérséklet-tartományon kívül végzik, akkor az megrongálhatja az akkumulátort, és növeli a tűzveszélyt.
- Ne használjon sérült vagy megváltoztatott akkumulátoregységet vagy szerszámot. A sérült vagy megváltoztatott akkumulátor váratlanul működhet, amelynek következtében tűz, robbanás vagy sérülés veszélye áll fenn.
- Ne tegye ki az akkumulátoregységet tűznek túlzott hőmérsékletnek. Ha tűznek vagy 100 °C feletti hőmérsékletnek teszi ki, az robbanást okozhat.

SZERVIZ

- **Az elektromos kéziszerszámot szakképzett személyel, eredeti cserealkatrész felhasználásával javíttassa meg.** Ezzel biztosítja az elektromos kéziszerszám biztonságának fenntartását.
- **Soha ne szervizelje a sérült akkumulátoregységet.** Az akkumulátoregységet a gyártónak vagy felhatalmazott szerviz szolgáltatóknak kell szervizelnie.

A SÖVÉNYNYÍRÓRA VONATKOZÓ BIZTONSÁGI FIGYELMEZTETÉSEK

- **Tartsa távol testének minden részét a vágólaptól. Ne távolítsa el a vágott anyagot, és ne tartsa a vágandó anyagot, amíg a lapok mozgásban vannak. Ne feledje kikapcsolni a szerszámot, ha beszorult anyagot kell kivenni.** A sövényvágó használata közben egyetlen pillanatnyi figyelmetlenség is komoly sérülésekhez vezethet.
- **A fogantyújánál fogva vigye a sövénynyíró, miután a vágólap mozgása már leállt.** A sövénynyíró szállításakor vagy tárolásakor mindig helyezze fel a vágószerszám borítását. A sövénynyíró megfelelő kezelése csökkenti a vágólapok okozta személyi sérülések veszélyét.
- **Tartsa ez elektromos kéziszerszámot a szigetelt tartófelületeknél, mivel a fűrészlánc burkolat alatti vezetékét érinthet.** A „feszültség” alatti vezetékkel érintkező fűrészláncok „feszültség” alá helyezhetik az elektromos kéziszerszám burkolat nélküli fémrészeit, és a gépkezelő áramütést szenvedhet.
- **Tartsa távol az akkumulátor kábelét a vágási területtől.** Használat közben előfordulhat, hogy a kábel nem látható a sövényben, és azt véletlenül elvághatja a lap.
- **Működtetés előtt ellenőrizze, hogy nincsenek-e idegen tárgyak a sövénynyíró közelében, pl. dróterítés.**
- **A sövénynyírórt csak felszerelt védőburkolattal használja.** A sövénynyíró használata a megfelelő védőburkolat nélkül súlyos személyi sérülést okozhat!
- **Használja mindkét kezét, amikor a sövénynyírórt működteti. Egy kéz használata esetén elveszítheti az uralmát a sövénynyíró felett, ami súlyos személyi sérülést okozhat.**

FONTOS BIZTONSÁGI ELŐÍRÁSOK

- **Ne töltsd az akkumulátoregységet esőben vagy nedves helyiségekben.**
- **Az akkumulátoregységet ki kell venni, mielőtt kicserélné a készüléket.**
- **Ne fogja meg a vágópengéket vagy a pengék végét, amikor felveszi, vagy tartja a sövénynyírórt.**

- **Ne használja létrán, tetőn, fán vagy más instabil tartón. Stabil testhelyzetben, szilárd felületen jobban irányítása alatt tudja tartani a sövénynyírórt váratlan helyzetekben.**
- **Soha ne engedje, hogy gyermekek üzemeltessék a sövénynyírórt.**
- **Soha ne vegye le, és ne módosítsa a biztonsági eszközöket.** Rendszeresen ellenőrizze, hogy megfelelően működnek-e. Soha ne csináljon olyasmit, ami zavarhatja a biztonsági berendezés funkcióját, vagy csökkenti a biztonsági berendezés általi védelmet.
- **Rendszeres időközönként ellenőrizze a pengé és a motor alátéteit, hogy megfelelően szorosak-e. Szemrevételezéssel is ellenőrizze a penge sérülését (pl. behajlott, megrepedt és elkopott). A pengét csak az EGO™ pengéjével cserélje ki.**
- **A pengét cserélje ki, ha behajlott, vagy megrepedt.** A kiegyensúlyozatlan penge vibrációt okoz, amely megrongálhatja a motoregységet, vagy személyi sérülést okozhat.
- **Ha a felszerelés rendellenesen vibrálni kezd, akkor azonnal állítsa le a motort, és ellenőrizze az okot.**
- **A sövénynyírórt 33 mm-nél vékonyabb száraz vágásához használja.**
- **Ne mossa tömlővel; ne kerüljön víz a motorba és az elektromos csatlakozásokba.**
- **Tartsa be a tartozékok olajozására és cseréjére vonatkozó utasításokat.**
- **Tartsa szárazon, tisztán, olajtól és zsírtól mentesen a fogantyúkat.**
- **Őrizze meg ezeket az utasításokat.** Időnként olvassa át, és használja, amikor másokat a kéziszerszám használatára tanít be. Ha valakinek kölcsön adja a szerszámot, akkor adja át a használati utasítást is a helytelen használat és lehetséges sérülések elkerülése érdekében.

ŐRIZZE MEG EZEKET AZ UTASÍTÁSOKAT!

MŰSZAKI ADATOK

Feszültség	56 V ---	56 V ---
Penge sebessége	1800 /min	1800 /min
Kés hosszúsága	65 cm	75 cm
Vágási kapacitás	31 mm	31 mm
Szerszám súlya	4,1 kg	4,2 kg
Javasolt működési hőmérséklet	0°C-40°C	0°C-40°C
Javasolt tárolási hőmérséklet	-20°C-70°C	-20°C-70°C
Mért hangteljesítményszint L_{WA}	90,1 dB(A) K=2,9 dB(A)	95,4 dB(A) K=1,52 dB(A)
Hangnyomásszint a kezelő fülénél L_{PA}	80,1 dB(A) K=3 dB(A)	83,9 dB(A) K=2,5 dB(A)
Mért hangteljesítményszint L_{WA} (a 2000/14/EK szerint)	93 dB(A)	97 dB(A)
Vibráció a_n	Hátsó fogantyú	3,2 m/s ² K=1,5 m/s ²
	Elülső fogantyú	3,9 m/s ² K=1,5 m/s ²

- A névleges rezgési összérték mérése standard bevizsgálási módszerrel történt, és használatával a szerszámok egymással összehasonlíthatók.
- A névleges rezgési érték a kockázat előzetes felméréséhez is felhasználható.

MEGJEGYZÉS: A rezgés kibocsátás az elektromos szerszám aktuális használata közben eltérhet attól a névleges értéktől, amellyel a szerszámot használják: a kezelő védelme érdekében a használónak kesztyűt és hallásvédőt kell használnia működetés közben.

CSOMAGOLÁS TARTALMA

ALKATRÉSZE NEVE	MENNYISÉG
SÖVÉNYNYÍRÓ	1
Pengevédő	1
Használati útmutató	1

LEÍRÁS

ISMERJE MEG A SÖVÉNYNYÍRÓT (A. ÁBRA)

1. Pengevédő-védő
2. Penge
3. Pengevédő
4. Elülső kapcsolókar
5. Elülső fogantyú
6. Kikapcsoló gomb
7. Hátsó kapcsolókar
8. Hátsó fogantyú
9. „U” kampó
10. Aljzat
11. Kézvédő
12. Védőlemez

▲ FIGYELMEZTETÉS: A terméket teljesen összeszerelve szállítjuk. Használat közben soha ne távolítsa el a kézvédőt. Ha megsérült, azonnal cserélje ki szakképzett szerviztechnikus.

▲ FIGYELMEZTETÉS: A termék biztonságos használatához meg kell értenie a szerszámon és a használati útmutatóban lévő információkat, valamint ismernie kell azt a munkát, amelyet el akar végezni. A termék használata előtt ismerje meg a működési funkciókat és a biztonsági szabályokat.

MŰKÖDTETÉS

▲ FIGYELMEZTETÉS: Ne hagyja, hogy a termékkel szerzett jártassága miatt óvatlanná váljon. Emlékezzon arra, hogy a másodperc törédeke alatt történő óvatlanság súlyos sérülést okozhat.

▲ FIGYELMEZTETÉS: Mindig viseljen oldalsó védőlemezzel ellátott védőszemüveget. Amennyiben nem ezt teszi, tárgyak repülhetnek a szemébe, és más komoly sérülések keletkezhetnek.

▲ FIGYELMEZTETÉS: A véletlenszerű indítás elkerülése érdekében, amely súlyos személyi sérülést okozhat, mindig vegye ki az akkumulátoregységet a szerszámból, amikor összeszereli az alkatrészeket, beállításokat, tisztítást végez, vagy amikor nem használja.

▲ FIGYELMEZTETÉS: Ne használjon az EGO™ által nem javasolt tartozékokat. A nem javasolt tartozékok használata súlyos személyes sérülést okozhat.

Minden használat előtt ellenőrizze a terméket, hogy nem sérült-e, nincsenek-e hiányzó vagy laza alkatrészek, például csavarok, anyák, alátétek, sapkák stb. Biztonságosan húzzon meg minden rögzítőt és kupakot, és ne működtesse a terméket, amíg minden hiányzó vagy sérült alkatrész ki nincs cserélve.

A termék esőben is használható.

AZ AKKUMULÁTOREGYSÉG FELHELYEZÉSE/ KIVÉTELE

Csak az A.ábrán felsorolt akkumulátoregységeket és töltőket használja.

Az első használat előtt tölts fel.

Felhelyezés (B & C & D ábra)

Az összeillesztett ▲ logóval a csatlakozódugón és a sövénynyírón csatlakoztassa a csatlakozódugót a sövénynyíróhoz, amíg a zöld tömítés teljesen el nem tűnik az aljzatban.

Szerelje fel az akkumulátor vezetékét az „U” akasztóra.

Levétel (E ábra)

Oldja ki az akkumulátor vezetékét az „U” akasztóból, és húzza ki a csatlakozódugót a sövénynyíróból.

A SÖVENYNYÍRÓ INDÍTÁSA/LEÁLLÍTÁSA

Működtetés előtt vegye le a védőlemez, és tartsa a sövénynyírót két kézzel, az egyik kezével a hátsó fogantyút, a másikkal az elülső fogantyút. Majd ügyeljen a kiegyensúlyozott testhelyzetre, helyes tartásra és megfelelő vágási távolságra.

FIGYELMEZTETÉS: A sövénynyíró fogantyúit mindig két kézzel tartsa. Soha ne tartsa a sövényt az egyik kezével, és ne működtesse a sövénynyírót a másik kezével. Amennyiben ezt a figyelmeztetést nem veszi figyelembe, az súlyos sérülést okozhat.

FIGYELMEZTETÉS: A sövénynyíró tárolásánál kapcsolja a kikapcsoló gombot „KI” állásba, mielőtt kivieszi az akkumulátoregységet. Amennyiben ezt a figyelmeztetést nem tartja be, az súlyos sérülést okozhat.

Indítás

Tolja a kikapcsoló gombot „BE” (F. ábra) állásba, majd nyomja meg a hátsó kapcsolókart. A megnyomott hátsó kapcsolókart az indításhoz tartsa lenyomva az elülső kapcsolókart.

Az F. ábra alkatrészeinek leírását lásd lent:

F-1	Kikapcsoló gomb
F-2	Hátsó kapcsolókart

Leállítás

Engedje el az egyik kapcsolókart a leállításhoz, és kapcsolja a kikapcsoló gombot „KI” állásba.

MEGJEGYZÉS: Mindkét kapcsolókart be kell nyomni a sövénynyíró indításához.

SÖVENYNYÍRÓ TARTÁSA

A sövénynyírót két kézzel úgy tartsa, hogy a penge ne Ön felé nézzen, külön fogja az elülső és hátsó fogantyút. A különböző vágási műveletekhez három tartási irány alkalmas (G, H és I ábra).

SÖVENYNYÍRÓ HASZNÁLATA

▲ FIGYELMEZTETÉS: Ha a penge elektromos vezetékbe akad, **AKKOR NE ÉRJEN A PENGÉHEZ! ELEKTROMOS ÁRAM ALÁ KERÜLHET, ÉS IGEN VESZÉLYES.** A sövénynyírót továbbra is a szigetelt hátsó fogantyúnál tartsa, vagy Öntől távol biztonságosan tegye le. Mielőtt megpróbálja kiszabadítani a pengét a vezetékből, válassza le az elektromos készüléket a sérült vezetékről. Amennyiben ezt a figyelmeztetést nem veszi figyelembe, az súlyos személyes sérülést vagy esetleg halált okozhat.

▲ FIGYELMEZTETÉS: A súlyos személyes sérülés megelőzése érdekében tartsa távol a kezét a pengéktől. Ne próbálja meg eltávolítani a vágott anyagot, és ne tartsa a vágandó anyagot, amíg a lapok mozgásban vannak. Ellenőrizze, hogy a pengék teljesen leálltak-e, és az akkumulátoregység ki van-e véve, mielőtt eltávolítja a beakadt anyagot a pengékből. Ne fogja meg a vágópengéket vagy a pengék végét, amikor felveszi, vagy tartja az egységet.

▲ FIGYELMEZTETÉS: Minden használat előtt tisztítsa meg a nyírandó területet. Távolítsa el minden tárgyat, pl. kábeleket, lámpákat, vezetékeket vagy zsinórokat, amelyek beakadhatnak a pengébe, és súlyos személyes sérülést okozhatnak.

▲ FIGYELMEZTETÉS: Egyszerre ne vágjon túl sokat vagy sűrű bozótot. Ez által a pengék megakadhatnak, vagy lelassulhatnak, így csökkentve a vágási kapacitást.

MEGJEGYZÉS: Az új kinövések vágásánál széles mozdulatokat végezzen, hogy a száraz közvetlenül a vágópengére essenek. A régebbi kinövések vágásánál a fűrészelő mozgás alkalmas a vastagabb szárazokhoz. Javasoljuk, hogy először a nagy szárazakat vágja le nem motoros kézi fűrészeléssel vagy ágnyesővel.

Vágás felül

Végezzen széles mozdulatokat. Ha a vágópengéket enyhén megdönti a mozgás irányába, akkor lesz a vágás eredménye a legjobb. A jobb vágási hatás érdekében

használhat zsinórt a sövény szintjének vezérfonalaként a D ábrán látható módon.

Vágás oldalt

Amikor a sövény oldalait vágja, akkor kezdje az alján, és vágjon felfelé az K ábrán látható módon.

Pengevédő

A pengevédő (L ábra) a penge külső végének védelme használatos.

Pengevédő

A pengék külső része olyan formájú, mint a pengevédő (M ábra).

Az M ábra alkatrészeinek leírását lásd lent:

M-1	Penge
M-2	Pengevédő

FIGYELMEZTETÉS: Mindig ellenőrizze, hogy a penge védőburkolat nem sérült vagy hajlott-e. Cserélje ki, ha behajlott, vagy sérült.

KARBANTARTÁS

FIGYELMEZTETÉS: Javitáskor használjon azonos pótalkatrészeket. Más alkatrészek használata veszélyt okozhat, vagy megrongálhatja a terméket. A biztonságosság és megbízhatóság biztosítása érdekében minden javítást szakképzett szerviztechnikus hajtson végre.

FIGYELMEZTETÉS: A súlyos személyi sérülések elkerülése érdekében mindig vegye ki az akkumulátoregységet a termékből tisztítás vagy karbantartás alatt.

TISZTÍTÁS

- Használjon puha kefét a szennyeződések levegő bemeneti nyílások és a pengéről való eltávolításához.
- A gyanta és más ragadós maradvány eltávolításához fújja be a pengéket gyantaoldó szerrel. Rövid ideig indítsa be a motort, hogy az oldószer egyenletesen el legyen osztva.
- A felületet száraz ruhával törölje át.

FIGYELMEZTETÉS: A műanyag alkatrészek tisztításához ne használjon oldószereket. A legtöbb műanyag a vegyi oldószerek által deformálódás általi sérülésnek van kitéve. Használjon tiszta ruhát a szennyeződés, por, olaj, zsír stb. eltávolításához.

A VÁGÓPENGE ÉLEZÉSE

1. Vegye ki az akkumulátoregységet a sövénynyíróból.
2. AHB6500S/AHB7500S: Rögzítse a vágószerszerkezetet a befogóba, és reszelje le az elhasználódott vágófelületet a penge minden fogán. A lehető legkevesebb anyagot távolítsa el. AHB6500/AHB7500 („” és „EDZETT” a penge felületén): Fogja be a pengét egy satuba, és élezze meg a kopott penge felületet egy gyémánt reszelővel, vagy kis sebességű csiszolóval (forgási sebesség < 2500 min⁻¹, előtolási sebesség < 60 mm/min, csokorszám >100). A lehető legkevesebb anyagot távolítsa el.
3. Vegye ki a sövénynyírót a befogóból, és helyezze be a másik, élezetlen oldalra.

Ismételje meg a fenti folyamatot, amíg a penge minden foga éles nem lesz.

MEGJEGYZÉS: Ne működtesse a sövénynyírót tompa vagy sérült vágópengével. Ez túlterhelést okozhat, és a vágási eredmény nem lesz megfelelő.

MEGJEGYZÉS: A normál fémreszelő nem alkalmazható AHB6500/AHB7500 speciális penge élezéséhez.

MEGJEGYZÉS: Ha kis sebességű csiszolót (forgási sebesség < 2500 min⁻¹) használ a vágópenge élezéséhez, akkor a csiszolás alatt folyamatosan nedvesítse a penge fogait.

SÖVENYNYÍRÓ KENÉSE

FIGYELMEZTETÉS: Ne kenje be, amíg a sövénynyíró még az akkumulátorhoz van csatlakoztatva, vagy működésben van.

A pede kenése

A penge legjobb működése és hosszabb élettartama érdekében minden használat előtt és után kenje be a sövénynyíró pengéjét könnyű gépolajjal.

Vegye ki az akkumulátoregységet, és helyezze a sövénynyírót sima felületre. Vigye fel az olajat a penge tetejére (N. ábra).

A szerelvényburkolat kenése

A legjobb működés és a hosszabb élettartam érdekében a sövénynyíró szerelvényburkolatát speciális zsírral kell bekenni (alkalommal körülbelül 5-6 g #1 és 10-12 g #2) minden 50 óra működés után.

A speciális kenőanyagot meg kell felelnie a következő követelményeknek.

1. A DIN51818: NLGI-2 kúpbeholási fokba tartozik.
2. Polikarbamid sűrítőbő + szintetikus kenőolajból áll.
3. Kiváló alacsony-hőmérsékletű indítás, EP, mechanikus nyírás, kopásálló és oxidációs stabilitás tulajdonságok.
4. A működtetési hőmérsékletnek -40~180°C között kell lennie.

Húzza ki az akkumulátor csatlakozódugót és a két rögzítőcsavart (O. ábra). Kenje be a szerelvényburkolatot az olajnyíláson keresztül.

MEGJEGYZÉS: Ne tölts fel teljesen zsírral a szerelvényburkolatot.

SZÁLLÍTÁS ÉS TÁROLÁS

- Mindig tegye fel a védőlemezt a pengére, mielőtt elrakja vagy szállítja a sövénynyírót. Legyen elővigyázatos, ne érjen a penge éles fogaihoz.
- Tárolás előtt alaposan tisztítsa meg a sövénynyírót.
- A sövénynyírót beltéren, olyan száraz helyen tárolja, amelyhez gyermekek nem tudnak hozzáférni.
- Tartsa távol maró hatású szerekétől, például kerti vegyszerektől, és jégmentesítő sótól.

⚠ FIGYELMEZTETÉS: A pengék élesek. A vágószerkezet kezelésénél viseljen csúszásgátló, nagy teherbírású védőkesztyűt. Ne tegye a kezét vagy ujjait a pengék közé, vagy olyan pozícióba, ahol beszorulhat vagy megvághatja. SOHA NE érjen a pengékhez, és ne ellenőrizze az egységet behelyezett akkumulátoregységgel.

HU

Varovanjé okolja



Ne dobja az elektromos felszerelést, az elhasznált akkumulátort és a töltőt a háztartási hulladékok közé! Vigye hivatalos újrahasznosító telephelyre, és tegye hozzáférhetővé a szelektív gyűjtéshez. Az elektromos eszközöket megfelelő környezetbarát újrahasznosító üzembe kell vinni.

HIBAELHÁRÍTÁS

PROBLÉMA	A PROBLÉMA OKA	MEGOLDÁS
A sövénynyíró nem működik	<ul style="list-style-type: none"> Az akkumulátoregység nincs behelyezve a sövénynyíróba, vagy nincs elektromos kapcsolat a sövénynyíró és az akkumulátor között. 	<ul style="list-style-type: none"> Dugja vissza az akkumulátor csatlakozódugót a sövénynyíróba.
	<ul style="list-style-type: none"> Az akkumulátoregység lemerült. 	<ul style="list-style-type: none"> Töltse fel az akkumulátoregységet a speciális töltővel.
	<ul style="list-style-type: none"> A rögzítógombot nem állították „BE” állásba, mielőtt megnyomták a kapcsolókart. 	<ul style="list-style-type: none"> A sövénynyíró használata előtt erősítse meg, hogy a rögzítógomb ki van engedve.
	<ul style="list-style-type: none"> Az akkumulátoregység vagy a sövénynyíró túl forró. 	<ul style="list-style-type: none"> Hűtse le az akkumulátoregységet vagy a sövénynyírot normál hőmérsékletre.
	<ul style="list-style-type: none"> A penge beakadt. 	<ul style="list-style-type: none"> Vegye ki az akkumulátoregységet a szerszámból. Óvatosan távolítsa el az akadályt, majd helyezze vissza az akkumulátort, és indítsa el a kéziszerszámot.
	<ul style="list-style-type: none"> A sövénynyíró túlterhelt. 	<ul style="list-style-type: none"> Csökkentse a gép terhelését.
Rendkívül magas vibráció vagy zaj.	<ul style="list-style-type: none"> Száraz vagy rozsdás pengék. 	<ul style="list-style-type: none"> Kenje be a pengéket.
	<ul style="list-style-type: none"> A pengék vagy pengetartó elgörbült. 	<ul style="list-style-type: none"> Cserélje ki új pengére vagy tartóra. Forduljon az EGO szervizközpontozhoz a penge vagy tartó kicserélése érdekében.
	<ul style="list-style-type: none"> Elgörbült vagy sérült fog. 	<ul style="list-style-type: none"> Cserélje ki egy új pengére. Forduljon az EGO szervizközpontozhoz a penge kicserélése érdekében.
	<ul style="list-style-type: none"> Laza penge csavarok. 	<ul style="list-style-type: none"> Húzza meg a penge csavarjait. Meghúzáshoz csavarulccsal fordítsa el a csavart az óramutató járásával megegyező irányba.

GARANCIA

EGO GARANCIÁLIS FELTÉTELEK

Kérjük, látogasson el az egopowerplus.eu oldalra, ahol megtalálja a részletes EGO garanciális feltételeket.

CITIȚI TOATE INSTRUCȚIUNILE!



CITIȚI MANUALUL DE INSTRUCȚIUNI

⚠️ AVERTISMENT: Pentru siguranța și fiabilitatea produsului, toate reparațiile ar trebui efectuate de către un tehnician de service autorizat.

SIMBOLURI PRIVIND SIGURANȚA

Scopul simbolurilor privind siguranța este să vă atragă atenția asupra pericolelor posibile. Simbolurile privind siguranța și explicațiile furnizate cu acestea merită atenția și înțelegerea dumneavoastră. Simbolurile de avertizare, ele singure, nu elimină niciun pericol.

Instrucțiunile și avertismentele pe care le oferă nu pot înlocui măsurile corecte de prevenire a accidentelor.

⚠️ AVERTISMENT: Asigurați-vă că ați citit și înțelegiți toate instrucțiunile privind siguranța din acest Manual de utilizare, inclusiv toate simbolurile de alertă privind siguranța precum "PERICOL," "AVERTISMENT," și "ATENȚIE" înainte de a utiliza această sculă. Nerespectarea tuturor avertismentelor și instrucțiunilor poate duce la electrocutare, incendiu și/sau răniri grave.

RO

SEMNIFICAȚIA SIMBOLURILOR

SIMBOL DE AVERTIZARE PRIVIND SIGURANȚA: Indică PERICOL, AVERTISMENT, sau ATENȚIE. Poate fi utilizat împreună cu alte avertismente sau pictograme.

⚠️ AVERTISMENT: Operarea oricăror scule electrice poate rezulta în proiectarea înșpre ochii dumneavoastră a unor obiecte străine, ceea ce poate duce la vătămări grave ale ochilor. Înainte de a începe să utilizați scula electrică, întotdeauna purtați ochelari de protecție cu apărători laterale și vizieră facială completă când este nevoie. Vă recomandăm să purtați o Vizieră lată de protecție peste ochelarii de vedere sau ochelari de protecție standard cu apărători laterale.

INSTRUCȚIUNI PRIVIND SIGURANȚA

Această pagină descrie simbolurile de siguranță ce pot apărea pe acest produs. Citiți, înțelegeți, și respectați toate instrucțiunile de pe mașină înainte de asamblare și operare.

	Alertă privind siguranța	Indică un risc posibil de vătămare personală.
--	--------------------------	---

	Citiți manualul de instrucțiuni	Pentru a reduce riscul de accidentări, utilizatorul trebuie să citească manualul de instrucțiuni.
	Țineți mâinile și picioarele departe de scula de tăiere	Nu încercați să utilizați scula electrică cu o singură mână. Pierderea controlului asupra sculei electrice se poate solda cu vătămare gravă sau deces. Pentru a reduce riscul de răni cauzate de tăieturi, țineți-vă la distanță mâinile și picioarele de scula de tăiere. Nu atingeți niciodată o sculă de tăiere în mișcare cu mâna sau cu orice altă parte a corpului dumneavoastră.
	Purtați echipament de protecție oculară	Purtați întotdeauna ochelari de protecție sau ochelari de protecție cu apărători laterale și o vizieră facială completă când utilizați acest produs.
	Zgomot	Nivelul puterii sunetului garantat. Emisii sonore în mediul înconjurător conform Directivei comunitare europene.
	CE	Acest produs este în conformitate cu directivele europene aplicabile.
	UKCA	Acest produs este în conformitate cu legislația aplicabilă din Marea Britanie.
	DEEE	Deșeurile produselor electrice nu trebuie să fie eliminate împreună cu deșeurile menajere. Predați-le unui punct de reciclare autorizat.
	Lungime lamă	Lungimea lamei
	Capacitate de tăiere	Capacitatea maximă de tăiere a lamei
	Simbol IP	Protecție împotriva jeturilor de apă
	Volt	Voltaj
	Curent continuu	Tip sau o caracteristică a curentului
	Pe minut	Revoluții pe minut
	Millimetru	Lungime sau dimensiuni
	Centimetru	Lungime sau dimensiuni
	Turație de mers în gol	Turație de mers în gol

INSTRUCȚIUNI GENERALE DE SIGURANȚĂ PENTRU SCULE ELECTRICE

⚠️ AVERTISMENT: Citiți toate instrucțiunile, avertismentele de siguranță, ilustrațiile și specificațiile livrate împreună cu această sculă electrică. Nerespectarea tuturor avertismentelor și instrucțiunilor poate duce la electrocutare, incendiu și/sau accidente grave.

Păstrați toate avertizările și instrucțiunile pentru consultare ulterioară.

Termenul „sculă electrică” din avertizări se referă la scula electrică (cu cablu) alimentată de la rețeaua electrică sau scula electrică (fără cablu de alimentare) care funcționează cu acumulator.

SIGURANȚA ZONEI DE LUCRU

- **Păstrați zona de lucru curată și bine iluminată.** Zonele dezordonate și întunecoase predispun la accidente.
- **Nu puneți în funcțiune sculele electrice în atmosfere explozive, cum ar fi în prezența lichidelor, gazelor sau prafurilor inflamabile.** Sculele electrice creează scântei, care pot aprinde praful sau gazele.
- **Țineți copiii și persoanele prezente la distanță atunci când operați o sculă electrică.** Distragerea atenției vă poate face să pierdeți controlul.

SIGURANȚA ELECTRICĂ

- **Ștecherul sculei electrice trebuie să corespundă cu priza de rețea electrică. Nu modificați niciodată ștecherul. Nu utilizați un adaptor de priză cu scule electrice împământate.** Ștecherile nemodificate și prizele adecvate vor reduce riscul de electrocutare.
- **Evitați contactul corpului cu suprafețele legate la împământare, cum sunt țevile, caloriferele, mașinile de gătit și frigidererele.** Acest lucru reprezintă un risc sporit de electrocutare în cazul care corpul dumneavoastră este împământat.
- **Nu expuneți încărcătorul la ploaie sau condiții de umezeală.** Pătrunderea apei în încărcător va crește riscul de electrocutare.
- **Nu folosiți în mod abuziv cablul setului de acumulatori. Nu utilizați niciodată cordonul de alimentare pentru a transporta, a trage sau a scoate din priză scula electrică. Țineți cablul de alimentare departe de căldură, ulei, margini tăioase sau piese în mișcare.** Cablurile electrice deteriorate sau încălcite cresc riscul de electrocutare.

- **Când utilizați o sculă electrică în aer liber utilizați un cablu prelungitor adecvat pentru utilizarea în aer liber.** Utilizarea unui cablu adecvat pentru aer liber reduce riscul de electrocutare.
- **Dacă utilizarea unei scule electrice într-o zonă umedă este inevitabilă, utilizați o sursă de alimentare protejată cu un întrerupător de protecție la defecțiune circuit de împământare.** Utilizarea unui astfel de întrerupător reduce riscul de electrocutare.

SIGURANȚA PERSONALĂ

- **Păstrați-vă vigilența, urmăriți ceea ce faceți și apelați la bunul simț când utilizați o sculă electrică. Nu utilizați o sculă electrică când sunteți obosit, sau sub influența medicamentelor, a alcoolului sau a medicației.** Un moment de neatenție în timp ce utilizați sculele electrice se poate solda cu vătămări grave.
- **Utilizați echipamente de protecție personală. Purtați întotdeauna protecție oculară.** Echipamentele de protecție, cum ar fi masca de praf, bocancii de protecție antiderapanți, casca sau antifoanele utilizate în condiții corespunzătoare, vor reduce vătămările corporale.
- **Preveniți pornirea accidentală. Asigurați-vă că întrerupătorul este în poziția oprit înainte de a conecta la o sursă de alimentare și/sau set de acumulatori, înainte de a ridica sau transporta scula.** Transportul sculelor electrice cu degetul pe întrerupător sau cu alimentarea cu energie electrică pornită, predis pune la accidente.
- **Îndepărtați orice cheie de reglare înainte de a porni scula electrică.** O cheie lăsată într-o piesă rotativă a sculei electrice poate duce la accidente.
- **Nu vă întindeți excesiv. Păstrați-vă întotdeauna o poziție stabilă a picioarelor și echilibrul.** Astfel veți avea un mai bun control asupra sculei electrice în situații neașteptate.
- **Îmbrăcați-vă corespunzător. Nu purtați haine largi sau bijuterii. Nu vă apropiați părul și hainele de piesele aflate în mișcare.** Îmbrăcămintea largă, bijuteriile sau părul lung pot fi prinse de piesele în mișcare.
- **Dacă sunt furnizate dispozitive pentru conectarea sistemelor de extragere și colectare a prafului, asigurați-vă că acestea sunt conectate și utilizate corespunzător.** Utilizarea acestor dispozitive poate reduce pericolele legate de praf.
- **Nu permiteți ca familiaritatea dobândită în urma utilizării frecvente a sculelor să vă facă să neglijați sau să nesocotiți principiile de siguranță ale sculei. O operație neglijentă poate cauza răni grave într-o fracțiune de secundă.**

UTILIZAREA ȘI ÎNGRIJIREA SCULELOR ELECTRICE

- **Nu forțați scula electrică. Utilizați scula electrică corespunzătoare pentru aplicația dumneavoastră.** Scula electrică corectă va face o treabă mai bună și mai sigură dacă este utilizată conform specificațiilor pentru care a fost concepută.
- **Nu utilizați scula electrică dacă întrerupătorul nu comută pe pozițiile pornit și oprit.** Orice sculă electrică ce nu poate fi controlată cu întrerupătorul este periculoasă și trebuie reparată.
- **Deconectați ștecherul de la sursa de alimentare și/sau îndepărtați setul de acumulatori, dacă este detașabil, de scula electrică înainte de efectuarea oricăror reglaje, schimbări de accesorii sau înainte de depozitarea sculelor electrice.** Astfel de măsuri preventive de siguranță reduc riscul de pornire accidentală a sculei electrice.
- **Depozitați sculele electrice într-un loc inaccesibil copiilor și nu permiteți utilizarea sculei electrice de persoane nefamiliarizate cu aceasta sau cu aceste instrucțiuni.** Sculele electrice sunt periculoase în mâna utilizatorilor neinstruiți.
- **Întrețineți sculele electrice și accesoriile. Verificați dacă există abateri de la coaxialitate sau gripări ale pieselor în mișcare, avarii ale pieselor și orice altă situație care poate afecta funcționarea sculelor electrice.** În caz de deteriorare, reparați scula electrică înainte de utilizare. Multe accidente sunt cauzate de sculele electrice prost întreținute.

RO

- **Mențineți sculele de tăiere ascuțite și curate.** Elementele de tăiere întreținute corespunzător și cu muchii de tăiere ascuțite sunt mai puțin probabil să se îndoie și sunt mai ușor de controlat;
 - **Utilizați scula electrică, accesoriile și cuțitele demontabile etc. în conformitate cu aceste instrucțiuni, ținând cont de condițiile de lucru și lucrarea de efectuat.** Utilizarea sculei electrice pentru operații diferite de cele intenționate s-ar putea solda cu o situație periculoasă.
 - **Mențineți mânerul uscat, curat și fără ulei și vaselină.** Mânerul și suprafețele de apucare alunecoase nu permit manevrarea în siguranță și controlul asupra sculei în situații neașteptate.
- #### UTILIZAREA ȘI ÎNGRIJIREA ACUMULATORULUI
- **Reîncărcați numai cu încărcătorul specificat de producător.** Un încărcător adecvat pentru un tip de set de acumulatori poate prezenta risc de incendiu dacă e utilizat cu alt set de acumulatori.
 - **Utilizați sculele electrice doar cu seturile de acumulatori special menționate.** Utilizarea oricărui alt set de acumulatori prezintă risc de accidente și incendiu.
 - **Când nu se utilizează setul de acumulatori, țineți-l departe de alte obiecte metalice precum clamele de hârtie, monedele, cheile, cuiile, surburile sau alte obiecte metalice mici care pot realiza o conexiune între borne.** Scurtcircuitarea bornelor bateriei poate produce arsuri sau un incendiu.
 - **În condiții abuzive se poate scurge lichid din acumulator; evitați contactul.** Dacă are loc contactul accidental, clătiți cu apă. Dacă lichidul intră în contact cu ochii, efectuați suplimentar un consult medical. Lichidul scurs din acumulator poate produce iritări sau arsuri.
 - **Respectați instrucțiunile de încărcare și nu încărcați setul de acumulatori ori scula în afara intervalului de temperatură specificat în instrucțiuni.** Încărcarea greșită sau la temperaturi situate în afara intervalului specificat poate avaria acumulatorul și spori riscul de incendiu.
 - **Nu utilizați un set de acumulatori sau o sculă care sunt avariate sau modificate.** Acumulatorii avariați sau modificați se pot comporta imprevizibil, putând astfel provoca incendii, explozii sau ducând la risc de rănire.
 - **Nu expuneți setul de acumulatori sau scula la foc ori la temperaturi excesive.** Expunerea la foc sau la temperaturi ce depășesc 100 C poate cauza explozii.

OPERAȚIILE DE SERVICE

- **Apelați numai la o persoană calificată pentru a vă repara scula electrică utilizând numai piese de schimb identice.** Acest lucru va asigura menținerea siguranței încărcătorului.
- **Nu reparați niciodată un set de acumulatori avariat.** Reparațiile asupra seturilor de acumulatori ar trebui efectuate numai de către fabricant sau de furnizorii de reparații autorizați.

INSTRUCȚIUNI GENERALE DE SIGURANȚĂ PENTRU TRIMMER DE GARD VIU

- **Țineți toate părțile corpului la distanță de lamele trimmerului. Nu îndepărtați materialul tăiat și nu țineți de materialul ce trebuie tăiat când lamele sunt în mișcare. Asigurați-vă că opriți trimmerul când îndepărtați materialul blocat.** Un moment de neatenție în timp ce utilizați trimmerul de gard viu se poate solda cu vătămări personale grave.
- **Transportați trimmerul de gard viu ținându-l de mâner, cu lama tăietoare oprită.** Când transportați sau depozitați aparatul de tăiat gard viu, echipați-l întotdeauna cu teaca dispozitivului de tăiere. Manevrarea corespunzătoare a trimmerului de tăiat gard viu va reduce posibilitatea vătămării personale de la lamele acestuia.

- **Țineți scula electrică numai de suprafețele izolate speciale deoarece lanțul ferăstrăului poate contacta cablaje ascunse.** Lanțul ferăstrăului care intră în contact cu un fir „sub tensiune” poate pune sub tensiune părțile metalice exterioare ale sculei electrice și poate electrocuta operatorul.
- **Țineți cablul acumulatorului de parte de zona de tăiere.** În timpul funcționării sculei electrice, cablul de alimentare poate fi mascat în tufe și poate fi tăiat accidental de lame.
- Înaintea tunderii, inspectați gardul viu pentru depistarea obiectelor străine, de ex. garduri de sârmă.
- Utilizați trimmerul de gard viu numai dacă are apărătoarea asamblată corect. Utilizarea trimmerului de gard viu fără apărătoarea adecvată poate duce la vătămări personale grave!
- **Utilizați ambele mâini când folosiți trimmerul de gard viu. Utilizarea unei singure mâini poate cauza pierderea controlului și rezulta în vătămări personale grave.**

INSTRUCȚIUNI IMPORTANTE PRIVIND SIGURANȚA

- Nu încărcați setul de acumulatori în condiții de ploaie sau de umezeală.
- Setul de acumulatori trebuie scos din aparat înainte de eliminarea acestuia.
- Nu apucați lamele de tăiere expuse sau muchiile de tăiere când apucați sau țineți trimmerul pentru gard viu.
- Nu utilizați aparatul când vă aflați pe o scară, acoperiș, copac sau alt suport instabil. Poziționarea stabilă pe o suprafață solidă permite un mai bun control asupra trimmerului în situații neașteptate.
- Nu permiteți niciodată copiilor să utilizeze trimmerul de gard viu.
- Nu îndepărtați și nu alterați dispozitivele de siguranță. Verificați periodic dacă acestea funcționează corect. Nu încercați niciodată să interveniți asupra funcției destinate a unui dispozitiv de siguranță sau să reduceți protecția furnizată de dispozitivul de siguranță.
- La intervale frecvente, verificați dacă lama și bolțurile de montare a motorului sunt strânse corect. De asemenea, inspectați vizual lama pentru depistarea avariilor (de ex. lamă îndoită, crăpată și uzată). Înlocuiți lama numai cu o lamă furnizată de EGO™.
- Înlocuiți lama dacă aceasta este îndoită sau crăpată. O lamă dezechilibrată produce vibrații care ar putea avaria unitatea de acționare a motorului sau cauza vătămări personale.
- Dacă echipamentul începe să producă vibrații anormale, opriți motorul și identificați imediat cauza.
- Trimmerul trebuie utilizat pentru tăierea tulpinilor cu grosimea mai mică de 33mm.

- Nu spălați trimmerul cu furtunul de grădină; evitați pătrunderea apei în motor și în conexiunile electrice.
- Respectați instrucțiunile legate de ungerea și schimbarea accesoriilor.
- Mențineți mânerul uscat, curate și fără ulei și vaselină.
- Păstrați aceste instrucțiuni. Consultați-le frecvent și utilizați-le pentru a instrui alte persoane care ar putea utiliza această sculă electrică. Dacă împrumutați cuiva această sculă, împrumutați-i și aceste instrucțiuni pentru a preveni utilizarea inadecvată a produsului și posibile răni.

PĂSTRAȚI ACESTE INSTRUCȚIUNI!

SPECIFICAȚII

Voltaj	56 V ---	56 V ---	
Viteza lamei	1800 /min	1800 /min	
Lungime lamă	65 cm	75 cm	
Capacitate de tăiere	31 mm	31 mm	
Greutatea sculei	4,1 kg	4,2 kg	
Javasolt mőködési hőmérséklet	0°C-40°C	0°C-40°C	
Javasolt tárolási hőmérséklet	-20°C-70°C	-20°C-70°C	
Nivel de putere sonoră măsurat L_{WA}	90,1 dB(A) K=2,9 dB(A)	95,4 dB(A) K=1,52 dB(A)	
Nivel de presiune sonoră L_{PA} la urechea operatorului	80,1 dB(A) K=3 dB(A)	83,9 dB(A) K=2,5 dB(A)	
Nivel de putere sonoră garantată L_{WA} (conform 2000/14/CE)	93 dB(A)	97 dB(A)	
Vibrații a_h	Măner posterior	3,2 m/s ² K=1,5 m/s ²	2,872 m/s ² K=1,5 m/s ²
	Măner frontal	3,9 m/s ² K=1,5 m/s ²	3,536 m/s ² K=1,5 m/s ²

- Valoarea totală declarată a vibrațiilor a fost măsurată în conformitate cu o metodă standard de testare și poate fi utilizată pentru compararea sculelor între ele;
- Valoarea totală declarată poate fi utilizată în evaluarea preliminară a expunerii.

OBSERVAȚIE: Vibrațiile emise în timpul utilizării efective a sculei electrice pot diferi față de valoarea celor declarate pentru scula utilizată; Pentru protejarea operatorului, utilizatorul trebuie să poarte mănuși și protecții auditive în timpul utilizării efective a produsului.

CONȚINUTUL AMBALAJULUI

Denumire piesă	Cantitate
Trimmerul	1
Teacă	1
Manual de instrucțiuni	1

DESCRIERE

DESCRIEREA TRIMMERULUI (FIG. A)

1. Protector de vârf
2. Lamă
3. Apărătoare lamă
4. Manetă întrerupătoare frontală
5. Mâner frontal
6. Buton de siguranță
7. Manetă întrerupătoare posterioară
8. Mâner posterior
9. Cârlig în formă de "U"
10. Priză
11. Apărătoare mâini
12. Teacă

⚠️ AVERTISMENT: Acest produs este furnizat complet asamblat. Apărătoarea de mâini nu trebuie îndepărtată niciodată pe durata utilizării. Dacă este avariată, înlocuiți-o imediat de către un tehnician de service autorizat.

⚠️ AVERTISMENT: Utilizarea acestui produs în condiții de siguranță necesită înțelegerea informațiilor inscripționate pe mașină și incluse în acest manual de utilizare, precum și cunoașterea proiectului pe care încercați să îl desfășurați. Înainte de a utiliza aparatul, familiarizați-vă cu toate caracteristicile de utilizare și cerințele privind siguranța.

UTILIZAREA

⚠️ AVERTISMENT: Nu permiteți ca familiarizarea cu acest produs să vă facă neglijent. Amintiți-vă că o fracțiune de secundă de neglijență este suficientă pentru a provoca vătămări grave.

⚠️ AVERTISMENT: Purtați întotdeauna ochelari de protecție cu apărători laterale. Nerespectarea acestei instrucțiuni ar putea avea ca rezultat proiectarea în ochi a obiectelor și alte posibile vătămări grave.

⚠️ AVERTISMENT: Pentru a preveni pornirea accidentală care ar putea cauza vătămări personale grave, întotdeauna scoateți setul de acumulatori din sculă când asamblați componente, efectuați reglaje sau când produsul nu este utilizat.

⚠️ AVERTISMENT: Nu folosiți accesorii sau componente nerecomandate de EGO™. Utilizarea de accesorii sau componente nerecomandate se poate solda cu vătămări grave.

Înainte de fiecare utilizare, inspectați întregul produs pentru depistarea de piese deteriorate, piese care lipsesc sau care sunt slăbite, precum șuruburi, piulițe, bolțuri, capace etc. Strângeți bine toate elementele de fixare și capacele și nu puneți în funcțiune acest produs până când nu se înlocuiesc toate piesele deteriorate sau lipsă.

Produsul poate fi utilizat pe timp de ploaie.

INSTALAREA/ÎNDEPĂRTAREA SETULUI DE ACUMULATORI

Utilizați numai seturile de acumulatori și încărcătorii din fig.A.

Încărcați acumulatorul înainte de prima utilizare.

Instalarea (Fig. B & C & D)

Cu logo-ul ▲ aliniat atât pe ștecher cât și pe trimmer, introduceți ștecherul în trimmerul de tuns gard până când garnitura verde dispare complet în priză.

Prindeți cablul acumulatorului de cârligul în formă de "U".

Îndepărtarea (Fig. E)

eliberați cablul bateriei din cârligul în formă de "U" și scoateți ștecherul din trimmer.

PORNIREA/OPRIREA TRIMMERULUI DE GARD VIU

Înainte de utilizării, îndepărtați scutul lamei și apucați trimmerul cu ambele mâini, o mână pe mânerul posterior și cealaltă mână pe mânerul frontal. După care asigurați-vă că aveți o poziție echilibrată, stați corect și la o distanță adecvată de tăiere.

⚠️ AVERTISMENT: Întotdeauna păstrați-vă ambele mâini pe mânerul trimmerului de gard viu. Nu țineți niciodată arbuștii cu o mână și să operați trimmerul de gard viu cu cealaltă. Nerespectarea acestui avertisment se poate solda cu vătămări grave.

⚠️ AVERTISMENT: Când opriți trimmerul de gard viu, poziționați butonul de blocare pe "OFF" (Oprit) înainte de a detașa setul de acumulatori. Nerespectarea acestui avertisment se poate solda cu vătămări grave.

Pornirea

Împingeți butonul de siguranță în poziția "ON" (Pornit) (Fig. F), după care apăsați maneta întrerupătoare posterioară. Menținând maneta întrerupătoare posterioară apăsată, continuați să apăsați maneta întrerupătoare frontală pentru a porni.

Fig. F pentru descrierea pieselor consultați tabelul de mai jos:

F-1	Buton de siguranță
F-2	Manetă întrerupătoare posterioară

Oprirea

Eliberați oricare dintre manetele întrerupătoare pentru a opri trimmerul și poziționați butonul de siguranță pe "OFF" (Oprit) pentru a preveni pornirea accidentală.

OBSERVAȚIE: Ambele manete întrerupătoare trebuie să fie apăstate pentru ca trimmerul să pornească.

APUCAREA TRIMMERULUI DE GARD VIU

Cu lama îndreptată dinspre dumneavoastră, țineți trimmerul cu ambele mâini, apucând separat mânerul posterior și cel frontal. Trei direcții de apucare sunt adecvate pentru diferite operații de tăiere (Fig. G & H & I).

UTILIZAREA TRIMMERULUI DE GARD VIU

⚠️ AVERTISMENT: În cazul blocării lamei într-un cablu electric sau fir, **NU ATINGEȚI LAMA! ACESTA POATE FI SUB TENSIUNE ELECTRICĂ ȘI PERICULOS** Continuați să țineți trimmerul de gard viu de mânerul posterior izolat sau așezați-l pe jos și la distanță de dumneavoastră, într-un mod sigur. Deconectați serviciul electric la cablul sau firul avariat înainte de a încerca să eliberați lama din cablu sau din fir. Nerespectarea acestei avertizări se va solda cu vătămări grave sau chiar fatale.

⚠️ AVERTISMENT: Pentru prevenirea rănilor personale grave, țineți-vă mâinile la distanță de la lame. Nu încercați să îndepărtați materialul tăiat și nu țineți de materialul ce trebuie tăiat când lamele sunt în mișcare. Asigurați-vă că lamele sunt complet oprite și că setul de acumulatori este îndepărtat înainte de a îndepărta materialul blocat din lame. Nu apucați lamele de tăiere expuse sau muchiile de tăiere când ridicați sau țineți trimmerul pentru gard viu.

⚠️ AVERTISMENT: Curățați zona de tuns înainte de fiecare utilizare. Îndepărtați toate obiectele precum cabluri, lumini, fire electrice sau corzi care se pot prinde în lama de tăiat și crea un risc de răni personale grave.

⚠️ AVERTISMENT: Evitați tunderea unei cantități prea mari de vegetale odată sau prin arbuști foarte deși. Acest lucru poate duce la blocarea lamelor și încetinirea acestora, reducând eficiența de tăiere.

OBSERVAȚIE: Pentru lăstăriș, este adecvată o mișcare de baleiere largă pentru tulpinile care ajung direct în lama de tăiere. Pentru ramuri mai vechi, o mișcare de coasere este potrivită pentru tunderea tulpinilor mai groase. Se recomandă utilizarea mai întâi a unui ferăstrău manual nemotorizat sau a unui ferăstrău de grădină pentru tăierea tulpinilor mari.

Tunsul vârfului

Utilizați o mișcare largă de baleiere. O înclinare ușoară în jos a lamelor de tăiere în direcția mișcării oferă cele mai bune rezultate de tăiere. Pentru un efect de tăiere cât mai bun, puteți utiliza și coarda pentru demarcarea înălțimii gardului viu, precum în figura J.

Tunsul lateral

Când tundeți fețele unui gard viu, începeți de jos și tăiați înspre sus precum în figurile Fig. K.

Protector de vârf

Protectorul vârfului (Fig. L) are ca scop protejarea capătului exterior al lamei.

Apărătoare lamă

Partea exterioară a lamei are forma apărătoarelor de lamă (Fig. M).

Fig. M pentru descrierea pieselor consultați tabelul de mai jos:

M-1	Lamă
M-2	Apărătoare lamă

⚠️ AVERTISMENT: Întotdeauna asigurați-vă că apărătoarea lamei nu este avariata sau distorsionată. Înlocuiți apărătoarea lamei dacă aceasta este îndoită sau deteriorată.

ÎNȚREȚINEREA

⚠️ AVERTISMENT: Când efectuați operații de service, utilizați doar piese de schimb identice. Utilizarea oricăror altor piese poate crea un pericol sau poate produce o deteriorare. Pentru siguranța și fiabilitatea produsului, toate reparațiile ar trebui efectuate de către un tehnician de service autorizat.


⚠️ AVERTISMENT: Pentru evitarea vătămarilor personale grave, îndepărtați întotdeauna setul de acumulatori din sculă când curățați sau efectuați orice operație de întreținere.

CURĂȚAREA

- Utilizați o perie moale pentru îndepărtarea reziduurilor din toate prizele de aer și de pe lama de tăiere.
- Pentru îndepărtarea bitumului sau a altor reziduuri lipicioase, pulverizați pe lame un solvent de rășină. Puneți motorul în funcțiune un timp scurt astfel încât solventul să fie distribuit uniform.
- Ștergeți suprafața cu o cârpă uscată.

⚠️ AVERTISMENT: Evitați utilizarea solventilor când curățați piese din plastic. Majoritatea pieselor din plastic sunt susceptibile să se deterioreze de la diverse tipuri de solventi comerciali. Utilizați cârpe curate pentru a îndepărta murdăria, praful, uleiul, vaselina etc.

ASCUȚIREA LAMEI DE TĂIERE

1. Îndepărtați setul de acumulatori din trimmer.
2. AHB6500S/AHB7500S: Fixați ansamblul lamei într-o menghină și piliți suprafața de tăiere expusă a fiecărui dinte de lamă. Îndepărtați cât mai puțin material posibil. AHB6500/AHB7500 (Cu „” și „DURIFICATĂ” pe suprafața lamei): Prindeți ansamblul lamei într-o menghină și ascuțiți suprafața de tăiere expusă cu o pilă diamantată sau cu un polizor cu turație redusă (Turație < 2500 min⁻¹, Viteză de avans < 60mm/min, Număr de ochiuri > 100). Îndepărtați cât mai puțin material posibil.
3. Scoateți trimmerul din menghină și întoarceți lama neascuțită pe cealaltă latură expusă.

Repetăți procedura de mai sus până când toți dinții lamei sunt ascuțiți.

OBSERVAȚIE: Nu utilizați trimmerul de gard viu dacă are lame tocite sau avariate. Acest lucru poate duce la suprasolicitare și va furniza rezultate de tăiere nesatisfăcătoare.

OBSERVAȚIE: O pilă metalică normală nu este adecvată pentru a ascuți lama specială AHB6500/AHB7500.

OBSERVAȚIE: Atunci când utilizați un polizor cu turație redusă (Turație < 2500 min⁻¹) pentru a ascuți lama tăietoare, răciți permanent cu apă dinții lamei în timpul polizării.

LUBRIFIEREA TRIMMERULUI DE GARD VIU

⚠️ AVERTISMENT: Nu lubrifiați în timp ce trimmerul mai este conectat la baterie sau este în funcțiune.

Lubrifierea lamei

Pentru o funcționare cât mai bună și o durată de viață a lamei cât mai lungă, lubrifiați lama trimmerului de gard viu cu ulei slab de mașină înainte și după fiecare utilizare.

Îndepărtați acumulatorul și amplasați trimmerul pe o suprafață plată. Turnați uleiul de-a lungul muchiei lamei superioare (Fig. N).

Lubrifierea cutiei de viteze

Pentru o funcționare cât mai bună și o durată de viață cât mai lungă, lubrifiați cutia de viteze a trimmerului cu o unsoare specială pentru cutii de viteză (5-6g în #1 și 10-12g în #2 de fiecare dată) după fiecare 50 de ore de utilizare.

Unsoarea specială trebuie să întrunească următoarele

cerințe.

1. Să aparțină categoriei de penetrare cu con DIN51818: NLGI-2.
2. Să fie compusă din agenți poliuretani de îngroșare + ulei sintetic de lubrifiere.
3. Să ofere o pornire excelentă la temperaturi joase, EP, rezistență mecanică de rupere, rezistență la abraziuni și proprietăți oxidante de stabilitate.
4. Temperatura de funcționare să fie cuprinsă între -40~180°C.

Îndepărtați mufa acumulatorului și cele două șuruburi de etanșeizare (Fig. O). Ungeți cutia de viteze prin orificiul de ungere.

ATENȚIE: Nu umpleți complet carcasa cutiei de viteze cu vaselină.

TRANSPORTAREA ȘI DEPOZITAREA

- Întotdeauna instalați scutul pe lamă înainte de a depozita sau de a transporta trimmerul de gard viu. Fiți precut pentru a evita dinții ascuțiți ai lamei.
- Curățați foarte bine trimmerul înainte de a-l depozita.
- Depozitați trimmerul pentru gard viu în interior, într-un loc uscat, inaccesibil copiilor.
- Țineți-l la distanță de agenți corozivi, precum substanțele chimice de grădină și sărurile de dezghețare.

⚠️ AVERTISMENT: Lamele sunt ascuțite. Când manevrați ansamblul lamelor, purtați mănuși de protecție nonderapante, super rezistente. Nu vă amplasați mâna sau degetele între lame sau în orice poziție în care ar putea fi prinse sau tăiate. Nu atingeți NICIODATĂ lamele sau să depanați unitatea cu setul de acumulatori instalat.

Protejarea mediului înconjurător



Nu eliminați echipamentul electric, acumulatorul epuizat și încărcătorul de acumulator împreună cu deșeurile menajere! Predați acest produs unui punct de reciclare autorizat și puneți-l la dispoziția colectării separate. Sculele electrice trebuie returnate unui centru de reciclare ecologic.

GHID DE DEPANARE

PROBLEMĂ	CAUZĂ	SOLUȚIE
Trimmer de gard viu nu funcționează	<ul style="list-style-type: none"> Setul de acumulatori nu este atașat de trimmerul de gard viu sau să existe vreun contact electric între trimmer și acumulator. 	<ul style="list-style-type: none"> Reintroduceți ștecherul setului de acumulatori în trimmer.
	<ul style="list-style-type: none"> Setul de acumulatori este descărcat. 	<ul style="list-style-type: none"> Încărcați setul de acumulatori cu încărcătorul specificat.
	<ul style="list-style-type: none"> Butonul de siguranță nu a fost împins pe "ON" înainte de a apăsa manetele întrerupătoare. 	<ul style="list-style-type: none"> Înainte de a utiliza trimmerul, confirmați că butonul de siguranță nu este blocat.
	<ul style="list-style-type: none"> Setul de acumulatori sau trimmerul sunt prea fierbinți. 	<ul style="list-style-type: none"> Lăsați setul de acumulatori sau trimmerul de tuns gard viu să se răcească până când atinge o temperatură normală.
	<ul style="list-style-type: none"> Lama este blocată. 	<ul style="list-style-type: none"> Detășăți setul de acumulatori de pe sculă. Îndepărtați blocajul cu atenție și după care reinstalați setul de acumulatori și reporniți scula.
	<ul style="list-style-type: none"> Trimmerul de gard viu este suprasolicitat. 	<ul style="list-style-type: none"> Reduceți solicitarea mașinii.
Vibrații sau zgomot excesive.	<ul style="list-style-type: none"> Lame uscate sau corodate. 	<ul style="list-style-type: none"> Lubrificați lamele.
	<ul style="list-style-type: none"> Lamele sau suportul de lame sunt îndoite. 	<ul style="list-style-type: none"> Înlocuiți cu o nouă lamă sau cu un suport nou. Contactați centrul de service EGO pentru asistență privind înlocuirea lamei sau a suportului de lamă.
	<ul style="list-style-type: none"> Dinți îndoți sau avariați. 	<ul style="list-style-type: none"> Înlocuiți cu o lamă nouă. Contactați centrul de service EGO privind înlocuirea lamei.
	<ul style="list-style-type: none"> Bolțuri de lame slăbite. 	<ul style="list-style-type: none"> Strângeți bolțurile de prindere a lamei. Cu ajutorul unei chei fixe, rotiți bolțul în sensul acelor de ceas pentru a strânge.

GARANȚIA

POLITICA DE GARANȚIE EGO

Vă rugăm consultați website-ul egopowerplus.eu pentru termenii și condițiile complete ale politicii de garanție EGO.

PREBERITE VSA NAVODILA!



PREBERITE PRIROČNIK Z NAVODILI ZA UPORABO

⚠ OPOZORILO: Za zagotovitev varnosti in zanesljivosti mora vsa popravila izvesti usposobljen serviser.

VARNOSTNI SIMBOLI

Namen varnostnih simbolov je, da pritegnejo vašo pozornost na morebitne nevarnosti. Varnostni simboli in njihova pojasnila si zaslužijo vašo pozornost in razumevanje. Opozorilni simboli sami ne odpravljajo nobene nevarnosti.

Navodila in opozorila niso nadomestilo za ustrezne ukrepe za preprečevanje nesreč.

⚠ OPOZORILO: Poskrbite, da boste pred uporabo orodja prebrali in razumeli vsa varnostna navodila v priročniku z navodili za uporabo, vključno z vsemi simboli za varnostna opozorila, kot so »NEVARNOST«, »OPOZORILO«, in »SVARILO«. Neupoštevanje spodaj navedenih navodil se lahko odrazi v električnem udaru, požaru in/ali resnih telesnih poškodbah.

POMEN SIMBOLOV

SIMBOL VARNOSTNEGA OPOZORILO: Nakazuje NEVARNOST, OPOZORILO ali SVARILO. Uporablja se lahko skupaj z drugimi simboli ali piktogrami.

⚠ OPOZORILO: Delovanje katerega koli električnega orodja lahko povzroči metanje tujkov v vaše oči, kar lahko povzroči resne poškodbe očesa. Pred začetkom dela z električnim orodjem vedno nosite zaščitna očala ali varnostna očala s stranskimi zaščitami in kadar je treba tudi ščit za celoten obraz. Priporočamo vam uporabo varnostne maske Wide Vision Safety Mask za uporabo preko očal ali standardnih varnostnih očal s stransko zaščito.

VARNOSTNA NAVODILA

Na tej strani so prikazani in opisani varnostni simboli, ki se lahko pojavijo na tem izdelku. Preberite, osvojite in sledite navodilom na stroju preden ga boste poskušali sestaviti in upravljati.

	Varnostno opozorilo	Označuje potencialno nevarnost telesnih poškodb.
	Preberite priročnik z navodili za uporabo	Za zmanjšanje nevarnosti poškodb morate prebrati priročnik z navodili za uporabo.
	Pazite, da so roke in stopala stran od orodja za rezanje.	Električnega orodja nikoli ne skušajte upravljati z eno roko. Izguba nadzora na električnim orodjem lahko povzroči hude telesne poškodbe ali celo smrt. Za zmanjšanje tveganja za ureznine držite roke in stopala stran od orodja za rezanje. Vključenega orodja za rezanje se nikoli ne dotikajte z roko ali drugim delom telesa.
	Nosite zaščito za oči	Pri upravljanju tega izdelka vedno nosite zaščitna očala ali varnostna očala s stransko zaščito in zaščito za celoten obraz.
	Hrup	Zajamčena raven zvočnega tlaka. Emisije hrupa v okolico so v skladu z direktivo Evropske skupnosti.
	CE	Ta izdelek je skladen z veljavnimi direktivami ES.
	UKCA	Ta izdelek je v skladu z veljavno zakonodajo Združenega kraljestva.
	Odpadna električna in elektronska oprema (OEEO)	Odpadnih električnih izdelkov ne odlagajte med gospodinjinske odpadke. Odnosite jih k pooblaščenemu izvajalcu postopka recikliranja.
	Dolžina rezila	Dolžina rezila
	Zmogljivost rezanja	Maksimalna zmogljivost rezanja rezila
	Simbol IP	Zaščita pred vodnimi curki
	Volt	Napetost
	Enosmerni tok	Vrsta ali značilnost toka
	Na minuto	Vrtljajev na minuto
	Milimeter	Dolžina ali velikost
	Centimeter	Dolžina ali velikost
	Št. vrtljajev v prostem teku	Hitrost vrtenja, brez obremenitve

SPLOŠNA VARNOSTNA OPOZORILA ZA ELEKTRIČNA ORODJA

⚠ OPOZORILO: Preberite vsa varnostna opozorila, navodila, slike in tehnične podatke, ki so priloženi temu električnemu orodju. Zaradi neupoštevanja spodaj navedenih navodil lahko pride do električnega udara, požara in/ali hudih telesnih poškodb.

Shranite vsa opozorila in vsa navodila za bodočo referenco.

Izraz »električno orodje« v opozorilih se nanaša na orodja, ki jih poganja električni tok (žična), ali na akumulatorska (brezžična) orodja.

VARNOST DELOVNEGA OBMOČJA

- Delovno območje naj bo čisto in dobro osvetljeno. V neurejenih in temnih območjih se rade zgodijo nesreče.
- Električnega orodja ne upravljajte v eksplozivnih okoljih, kot je ob prisotnosti vnetljivih tekočin, plinov ali prahu. Električno orodje ustvarja iskre, ki lahko zanetijo prah ali hlape.
- Med uporabo električnega orodja v bližino ne pustite otrok in drugih ljudi. Zaradi motenja pozornosti lahko izgubite nadzor.

ELEKTRIČNA VARNOST

- Vtiči električnih orodij se morajo prilegati vtičnicam. Vtiča nikoli ne smete spreminjati na kakršen koli način. Z ozemljenimi električnimi orodji ne uporabljajte spremenjenega vtiča. Nespremenjeni vtiči in pripadajoče vtičnice bodo zmanjšali tveganje električnega udara.
- Izogibajte se telesnemu stiku z ozemljenimi površinami, kot so cevi, radiatorji, štedilniki in hladilniki. Če je vaše telo ozemljeno, obstaja povečano tveganje električnega udara.
- Polnilnika ne izpostavljajte dežju ali vlažnim pogojem. Voda v polnilniku znatno poveča tveganje električnega udara.
- Kabla baterijskega sklopa ne uporabljajte za neustrezne namene. Kabla nikoli ne uporabljajte za nošenje, vlečenje ali odklapanje električnega orodja. Kabel hranite stran od vročine, olja, ostrih robov ali premikajočih se delov. Poškodovani ali zapleteni kabli zvišujejo tveganje električnega udara.
- Med zunanjo uporabo električnega orodja uporabljajte podaljševalni kabel, ki je primeren za zunanjo uporabo. Uporaba kabla, primerne za zunanjo uporabo, znižuje tveganje električnega udara.
- Če je uporaba električnega orodja na vlažnem mestu neizogibna, uporabite stikalo za prekinitve napajanja pri najmanjšem okvarnem toku. Uporaba

te naprave bo zmanjšala nevarnost električnega udara.

OSEBNA VARNOST

- Med uporabo električnega orodja bodite pozorni, spremljajte potek dela in uporabljajte zdrav razum. Električnega orodja ne uporabljajte, kadar ste utrujeni ali pod vplivom drog, alkohola ali zdravil. Trenutek nepazljivosti med uporabo električnega orodja lahko privede do resnih telesnih poškodb.
- Uporabljajte osebno varovalno opremo. Vedno nosite zaščito za oči. Če v različnih okoliščinah nosite ustrezno zaščitno opremo, kot so maska proti prahu, obutev z nedrsečim podplatom, trdno pokrivalo glave in zaščita za sluh, zmanjšate možnost telesnih poškodb.
- Preprečite neželen zagon. Pred priključitvijo napajanja in/ali baterijskega sklopa, pred dvigovanjem ali nošenjem orodja se prepričajte, da je stikalo v položaju za izklop. Prenajanje električnih orodij, tako da prst držite na stikalu, ali dovajanje napajanja električnim orodjem, pri katerih je stikalo v položaju »on (vklop)« poveča tveganje nesreč.
- Pred vklopom električnega orodja odstranite morebitne prilagojevalne ključe ali izvijače. Izvijač ali ključ, ki je pritrjen na vrtljivi del električnega orodja, lahko povzroči telesne poškodbe.
- Ne segajte preko dosega. Pazite, da stojite stabilno in da imate ravnotežje. To omogoča boljši nadzor nad električnim orodjem v nepričakovanih situacijah.
- Bodite primerno oblečeni. Ne nosite ohlapnih oblačil ali nakita. Pazite, da lasje in oblačila ne pridejo v bližino gibljivih delov. Ohlapna oblačila, nakit ali dolgi lasje se lahko zapletejo v gibljive dele.
- Če imate na voljo naprave za sesanje in zbiranje prahu, preverite, ali so priključene in ali se ustrezno uporabljajo. Uporaba naprav za zbiranje prahu lahko zmanjša nevarnosti, povezane s prahom.
- Čeprav dobro poznate orodje zaradi pogoste uporabe, ne postanite samozadovoljni in ne ignorirajte varnostnih načel orodja. Nepazljivost pri uporabi lahko povzroči hude telesne poškodbe v delcu sekunde.

UPORABA IN NEGA ELEKTRIČNEGA ORODJA

- Električnega orodja ne preobremenjujte. Uporabite električno orodje, ki ustreza vašemu delu. Ustrezno električno orodje bo nalogo opravilo bolje in varneje pri zmogljivosti, za katero je bilo zasnovano.
- Ne uporabljajte električnega orodja, če ga stikalo ne vklopi ali izklopi, kot bi bilo treba. Kakršno koli električno orodje, ki ga ni mogoče nadzirati s stikalom, je nevarno in ga je potrebno popraviti.

- Odklopite vtič iz vira napajanja in/ali odstranite baterijski sklop, če je snemljiv, preden opravite kakršno koli prilagoditve, menjate dodatke ali shranite električno orodje. Tovrstni preventivni varnostni ukrepi zmanjšujejo tveganje nehotenega zagona električnega orodja.
- Električna orodja, ki niso v uporabi, shranjujte izven dosega otrok in ne dovolite, da bi električno orodje uporabljale osebe, ki niso seznanjene z električnim orodjem ali s temi navodili. Električna orodja so v rokah neusposobljenih uporabnikov nevarna.
- Električna orodja in dodatke redno vzdržujte. Preverite, ali so gibljivi deli morda napačno pritrjeni ali povezani, ali so deli poškodovani oz. ali obstaja kakršno koli drugo stanje, ki bi lahko vplivalo na delovanje električnega orodja. Če je električno orodje poškodovano, ga pred ponovno uporabo dajte v popravilo. Mnogo nesreč se pripeti zaradi slabo vzdrževanih električnih orodij.
- Rezalna orodja naj bodo vedno nabrušena in čista. Pravilno vzdrževana rezalna orodja z ostrimi rezili se težje zaskočijo in jih je lažje nadzirati.
- Električno orodje, dodatke in dele orodja itd. uporabljajte v skladu s temi navodili, pri tem pa upoštevajte delovne pogoje in delo, ki ga boste opravljali. Če boste električno orodje uporabljali za neustrezne namene, lahko pride do nevarnih situacij.
- Ročaji in prijemne površine naj bodo suhe, čiste in brez madežev olja ali masti. Drseči ročaji in prijemne površine ne omogočajo varnega ravnanja in nadzorovanja orodja v nepričakovanih situacijah.
- Upoštevajte vsa navodila za polnjenje in baterijskega sklopa ali orodja ne polnite izven temperaturnega razpona, navedenega v navodilih. Nepravilno polnjenje ali temperature izven navedenega razpona lahko poškodujejo baterijo in povečajo tveganje požara.
- Baterijskega sklopa ali orodja, ki je poškodovano ali spremenjeno, ne uporabljajte. Poškodovane ali spremenjene baterije se lahko nepredvidljivo vedejo, kar lahko povzroči požar, eksplozijo ali tveganje telesnih poškodb.
- Baterijskega sklopa ali orodja ne izpostavljajte ognju ali previsokim temperaturam. Izpostavljenost ognju ali temperaturam nad 100°C lahko povzroči eksplozijo.

SERVIS

- Polnilnik naj servisira kvalificirano servisno osebo, ki uporablja le identične nadomestne dele. To bo zagotovilo ohranjanje varnosti polnilnika.
- Nikoli ne popravljajte poškodovanega baterijskega sklopa. Baterijske sklope lahko popravi le proizvajalec ali pooblaščen izvajalec storitev.

VARNOSTNA OPOZORILA ZA OBREZOVALNIK ŽIVE MEJE

- Delov telesa nikoli ne izpostavljajte rezilom. Ne odstranjujte zagozdenega materiala medtem, ko se rezilo premika. Prepričajte se, da je naprava izklopljena, ko odstranjujete zagozden material. Trenutek nepazljivosti med uporabo obrezovalnika žive meje lahko povzroči resne telesne poškodbe.
- Obrezovalnik žive meje prenašajte tako, da ga držite za ročaj, rezilo pa naj bo pri tem ustavljeno. Med transportom ali skladiščenjem obrezovalnika žive meje vedno uporabljajte embalažo za shranjevanje. Ustrezno ravnanje z obrezovalnikom žive meje zmanjša tveganje poškodb zaradi rezil.
- Električno orodje držite le za izolirane prijemalne površine, saj se lahko veriga dotika skrite napeljave. Če se veriga žage dotakne žice, ki je pod električno napetostjo, se lahko izpostavljeni kovinski deli električnega orodja naelektrijo in povzročijo električni udar.
- Pazite, da baterijski kabel ni v območju rezanja. Med delom se kabel lahko skrrije v vejevje, zato ga lahko nehote prerežete.
- Pred rezanjem žive meje preglejte za prisotnost tujkov, kot so žične ograje.
- Uporabljajte le obrezovalnik žive meje s pravilno nameščenim ščitnikom. Uporaba obrezovalnika brez pravilno nameščenega ščitnika lahko vodi v resne telesne poškodbe.

SL

UPORABA IN VZDRŽEVANJE BATERIJSKEGA ORODJA

- Baterijo polnite le s polnilnikom, ki ga določa proizvajalec. Polnilnik, ki ustreza eni vrsti baterij, morda lahko povzroči požar, če z njim polnite drugo vrsto baterij.
- Baterijska orodja uporabljajte samo s predpisano vrsto baterij. Uporaba katerih koli drugih baterij ustvari tveganje poškodb in požara.
- Ko baterijski sklop ni v uporabi, ga hranite ločeno od kovinskih predmetov, kot so sponke za papir, kovanci, ključi, žebliji, vijaki ali drugi majhni kovinski predmeti, ki lahko povzročijo stik med eno in drugo sponko. Kratek stik zaradi povezanih terminalov baterije lahko povzroči opeklino ali požar.
- Ob zlorabi baterije lahko iz nje steče tekočina. Če se po nesreči dotaknete tekočine, mesto dotika sperite z vodo. Če pride tekočina v stik z očmi, poiščite zdravstveno pomoč. Tekočina, ki izteče iz baterije, lahko povzroči vnetje ali opeklino.

- Pri upravljanju obrezovalnika uporabljajte obe roki. Uporaba samo ene roke lahko povzroči izgubo nadzora in resno telesno poškodbo.

POMEMBNA VARNOSTNA NAVODILA

- Baterijskega sklopa ne polnite v dežju ali na vlažnih mestih.
- Preden napravo zavržete, morate iz nje odstraniti baterijski sklop.
- Pri rokovanju z obrezovalnikom žive meje ne prijemajte izpostavljenih rezil ali robov rezil.
- Naprave ne uporabljajte, ko ste na lestvi, vrhu strehe, drevesu ali ko stojite na drugi nestabilni podlagi. Stabilna opora na trdni površini omogoča boljši nadzor nad obrezovalnikom žive meje v nepredvidenih situacijah.
- Nikoli ne dovolite otrokom upravljati obrezovalnika.
- Varnostnih naprav nikoli ne odstranjujte ali spreminjajte. Redno preverjajte njihovo pravilno delovanje. Nikoli ne naredite ničesar, kar bi vplivalo na namensko funkcijo varnostne naprave ali bi zmanjšalo zaščito, ki jo zagotavlja varnostna naprava.
- Redno preverjajte, če so vijaki za namestitev rezila in motorja dovolj trdno priti. Prav tako vizualno preglejte rezilo za poškodbe (npr. upognjenost, razpoke in izraba). Rezilo nadomestite le z rezilom proizvajalca EGO™.
- Če je rezilo upognjeno ali razpokano, ga zamenjajte. Neuravnano rezilo povzroča vibracije, ki lahko poškodujejo motorno enoto ali povzročijo telesno poškodbo.
- Če začne oprema nenormalno vibrirati, ustavite motor in takoj poskušajte ugotoviti vzrok.
- Obrezovalnik se lahko uporablja za rezanje stebel debeline manj kot 33 mm.
- Naprave ne umivajte s cevjo. Voda naj ne pride v motor ali električne priključke.
- Sledite navodilom za mazanje in menjavo dodatkov.
- Ročaji naj bodo suhi, čisti in brez madežev olja ali masti.
- Ta navodila shranite. Pogosto jih preberite. Uporabite jih tudi za poučevanje ostalih, ki uporabljajo to napravo. Če to orodje komu posodite, posodite tudi ta navodila, da tako za preprečite nepravilno uporabo izdelka in možnosti poškodb.

TA NAVODILA SHRANITE!

TEHNIČNI PODATKI

Napetost	56 V ---	56 V ---
Hitrost rezila	1800 /min	1800 /min

Dolžina rezila	65 cm	75 cm	
Zmogljivost rezanja	31 mm	31 mm	
Teža orodja	4,1 kg	4,2 kg	
Priporočena delovna temperatura	0°C-40°C	0°C-40°C	
Priporočena temperatura za shranjevanje	-20°C-70°C	-20°C-70°C	
Izmerjena raven zvočnega tlaka L_{WA}	90,1 dB(A) K=2,9 dB(A)	95,4 dB(A) K=1,52 dB(A)	
Raven zvočnega tlaka v ušesu upravljavca L_{PA}	80,1 dB(A) K=3 dB(A)	83,9 dB(A) K=2,5 dB(A)	
Zajamčena raven zvočnega tlaka L_{WA} (glede na 2000/14/ES)	93 dB(A)	97 dB(A)	
Vibracije a_h	Zadnji ročaj	3,2 m/s ² K=1,5 m/s ²	2,872 m/s ² K=1,5 m/s ²
	Sprednji ročaj	3,9 m/s ² K=1,5 m/s ²	3,536 m/s ² K=1,5 m/s ²

- Deklarirana skupna vrednost vibracij je bila izmerjena v skladu s standardno preskusno metodo in se lahko uporabi za medsebojno primerjavo različnih orodij.
- Navedena skupna vrednost vibracij se lahko uporabi za predhodne ocene izpostavljenosti.

OPOMBA: Emisije vibracij se lahko med dejansko uporabo električnega orodja razlikujejo od deklarirane vrednosti, pri kateri se orodje uporablja. Z namenom zaščite upravljavca mora uporabnik v dejanskih pogojih uporabe nositi rokavice in zaščito za ušesa.

SEZNAM PAKIRANJA

IME DELA	KOLIČINA
ŽIVE MEJE	1
Ščitnik	1
Priročnik z navodili za uporabo	1

OPIS

SPOZNAJTE SVOJ OBREZOVALNIK ŽIVE MEJE (slika A)

1. Zaščita za konico

2. Rezilo
3. Ščitnik rezila
4. Vzvod sprednjega stikala
5. Sprednji ročaj
6. Gumb za odklepanje
7. Vzvod zadnjega stikala
8. Zadnji ročaj
9. Kavelj v obliki črke »U«
10. Vtičnica
11. Ščitnik za roko
12. Ščitnik

⚠ OPOZORILO: Izdelek je dobavljen popolnoma sestavljen. Ščitnika za roko ne smete nikoli odstraniti med uporabo. Če se poškoduje, ga naj nemudoma zamenja kvalificiran servisni tehnik.

⚠ OPOZORILO: Varna uporaba tega izdelka zahteva razumevanje informacij o orodju in v tem priročniku z navodili za uporabo, prav tako tudi znanje o projektu, ki ga boste izvedli. Pred uporabo tega izdelka se seznanite z vsemi funkcijami delovanja in varnostnimi pravili.

DELOVANJE

⚠ OPOZORILO: Četudi se dodobra seznanite s tem izdelkom, pri rokovanju z njim ne postanite neprevidni. Pomnite, da je brezskrbni delec sekunde dovolj za resno poškodbo.

⚠ OPOZORILO: Vedno nosite zaščito za oči, ki ima varovanje tudi s strani. Če tega ne storite, vam lahko v oči priletijo predmeti ali pa se lahko zgodijo druge hude poškodbe.

⚠ OPOZORILO: Da preprečite nenamerni zagon, ki bi lahko povzročil resno telesno poškodbo, pri nameščanju delov, prilagajanjem, čiščenjem in kadar ni v uporabi, vedno odstranite baterijski sklop.

⚠ OPOZORILO: Ne uporabljate priključkov ali dodatkov, ki jih proizvajalec EGO™ ne priporoča. Uporaba priključkov ali dodatkov, ki niso priporočeni, lahko privede do resnih osebnih poškodb.

Pred vsako uporabo celoten izdelek preverite za poškodovane, manjkajoče ali odvite dele, kot so vijaki, maticе, pokrovčki itd. Dobro privijte vsa zapenjala in pokrovčke ter izdelka ne uporabljajte dokler manjkajoč ali poškodovan del ni nameščen.

Izdelek se lahko uporablja v dežju.

NAMEŠČANJE/ODSTRANJEVANJE BATERIJSKEGA SKLOPA

Napravo uporabljajte le z akumulatorskimi baterijami in polnilniki, navedenimi v sliki A.

Pred prvo uporabo ga napolnite.

Nameščanje (slika B & C & D)

Poravnajte logotip ▲ na vtiču in obrezovalniku žive meje ter vstavite vtič v obrezovalnik žive meje, dokler zeleno tesnilo povsem ne izgine v vtičnico.

Baterijski kabel namestite v kavelj v obliki črke »U«.

Odstranitev (slika E)

Sprostite baterijski kabel iz kavlja v obliki črke »U« in izvlecite vtič iz obrezovalnika žive meje.

ZAGON/AUSTAVITEV OBREZOVALNIKA ŽIVE MEJE

Pred upravljanjem odstranite ščitnik in obrezovalnik držite z obema rokama. Eno roko imejte na zadnjem ročaju, drugo pa na sprednjem. Nato preverite, da stojite na trdni podlagi, imate pravilno držo in da je razdalja za rezanje ustrezna.

⚠ OPOZORILO: Vedno imejte obe roki na ročajih obrezovalnika žive meje. Nikoli ne držite grmovja z eno roko, z druga pa upravljajte obrezovalnik. Če tega opozorila ne boste upoštevali, lahko pride do resnih poškodb.

⚠ OPOZORILO: Ko izklopite obrezovalnik žive meje, prestavite gumb za odklepanje v položaj »OFF«, preden odstranite baterijski sklop. Če tega opozorila ne boste upoštevali, lahko pride do hudih telesnih poškodb.

Zagon

Gumb za odklepanje potisnite v položaj »ON« (slika F) in nato pritisnite vzvod zadnjega stikala. Ko pritisnete vzvod zadnjega stikala, pritisnite tudi vzvod sprednjega stikala, da zaženete napravo.

Slika F: za opis delov glejte spodaj:

F-1	Gumb za odklepanje
F-2	Vzvod zadnjega stikala

ZAUSTAVITEV

Za zaustavitev sprostite enega od vzvodov in prestavite gumb za odklepanje v položaj »OFF«, da preprečite nehoten zagon.

OPOMBA: Za zagon obrezovalnika morate pritisniti oba vzvoda.

PRIJEM OBREZOVALNIKA ŽIVE MEJE

Z rezilom, obrnjenim stran od sebe, primate obrezovalnik žive meje z obema rokama tako, da ločeno primete sprednji in zadnji ročaj. Za različne vrste obrezovanja so ustrezni trije načini prijema (slike G, H in I).

UPORABA OBREZOVALNIKA ŽIVE MEJE

⚠ OPOZORILO: Če se rezilo zagodzi ob električni kabel, **SE REZILA NE DOTIKAJTE! LAHKO JE POD ELEKTRIČNO NAPETOSTJO IN ZELO NEVARNO.** Obrezovalnik še naprej držite za izoliran zadnji ročaj ali ga varno položite na tla in stran od sebe. Preden skušate rezilo osvoboditi iz voda ali kabla, prekinite napajanje poškodovanega voda ali kabla. Če tega opozorila ne boste upoštevali, lahko pride do hudih telesnih poškodb ali celo smrti.

⚠ OPOZORILO: Za preprečitev resnih telesnih poškodb držite roke stran od rezila. Ne odstranjujte odrezanega materiala oziroma ne držite materiala, namenjenega obrezovanju, medtem ko se rezilo premika. Pred čiščenjem zagozdenega materiala iz rezil se prepričajte, da so se rezila povsem ustavila in da je baterijski sklop odstranjen. Pri rokovanju z enoto ne prijemajte izpostavljenih rezil ali robov rezil.

⚠ OPOZORILO: Območje rezanja pred vsako uporabo počistite. Odstranite vse predmete, kot so kabli, luči, žica ali vrvi, ki se lahko ovijejo v rezilo in ustvarijo nevarnost telesne poškodbe.

⚠ OPOZORILO: Izogibajte se prevelikim količinam obrezovanja skozi gosto grmičevje naenkrat. To lahko povzroči, da se rezila upognijo in upočasnijo, kar zmanjša učinkovitost obrezovanja.

OPOMBA: Za novo rast je pomembno široko pometanje, da stebela dovaja neposredno v rezila. Za starejšo rast je za obrezovanje debelejših stebel dobro žaganje. Priporočamo uporabo ročne žage ali žage za obrezovanje, da z njo najprej obrežete velika stebela.

Zgornje rezanje

Uporabite gibanje v obliki širokega pometanja.. Rezila nagnite rahlo naprej v smeri gibanja, s čimer boste dosegli najboljše rezultate. Za boljši učinek rezanja, lahko uporabite tudi vrstico, da boste z njo določili nivo žive meje, kot prikazuje slika J.

Stransko rezanje

Pri obrezovanju strani žive meje začnite na dnu in režite navzgor, kot je prikazano na sliki K.

Zaščita konice

Zaščita konice (slika L) se uporablja za zaščito zunanjega konca rezila.

Ščitnik rezila

Zunanji deli rezil so oblikovani kot ščitniki rezila (slika M).

Slika M: za opis delov glejte spodaj:

M-1	Rezilo
-----	--------

M-2	Ščitnik rezila
-----	----------------

⚠ OPOZORILO: vedno se prepričajte, da ščitnik rezila ni poškodovan ali zvit. Zvit ali poškodovan ščitnik zamenjajte.

VZDRŽEVANJE

⚠ OPOZORILO: Pri servisiranju uporabljajte le identične nadomestne dele. Uporaba drugih delov je tvegana in lahko povzroči škodo na izdelku. Za zagotovitev varnosti in zanesljivosti mora vsa popravila izvesti usposobljen serviser.

⚠ OPOZORILO: Da bi se izognili hudim telesnim poškodbam, med čiščenjem ali vzdrževanjem iz izdelka vedno odstranite baterije.

ČIŠČENJE

- Z mehko krtačo odstranite delce iz vseh odprtín za dovod zraka in rezil.
- Za odstranjevanje smole in drugih lepljivih ostankov rezila poprsite s toplom za smolo. Za kratek čas zaženite motor, da se bo topilo enakomerno porazdelilo.
- Površino obrišite s suho krpo.

⚠ OPOZORILO: Pri čiščenju plastičnih delov se izogibajte uporabi topil. Večina vrst plastik se lahko pri uporabi različnih komercialnih topil poškoduje. Za odstranjevanje umazanije, praha, olja in maščobe uporabljajte čiste krpe.

BRUŠENJE REZALNIH REZIL

1. Odstranite akumulator z obrezovalnika žive meje.
2. AHB6500S/AHB7500S: Sklop rezila vprite v primež in poplilite izpostavljeno rezilno površino vsakega zobca. Odstranite čim manj materiala. AHB6500/AHB7500 (z »OKREPLJENO« na površini rezila): Sklop rezila vprite v primež in izpostavljeno rezilno površino obrusite z diamantno pilo ali nizkohitrostrnim brusilnikom (hitrost vrtenja < 2500 min⁻¹, hitrost vrtenja < 60 mm/min, št. mrežice > 100). Odstranite čim manj materiala.
3. Odstranite obrezovalnik žive meje iz primeža in nastavite nenabrušeno rezilo na drugi izpostavljeni strani.

Zgornji postopek ponavljajte toliko časa, dokler ne bodo nabrušeni vsi rezilne zobce.

OPOMBA: Obrezovalnika žive meje ne uporabljajte s topimi ali poškodovanimi rezalnimi rezili. V nasprotnem

primeru lahko povzročite preobremenitev, rezultati obrezovanja pa morda ne bodo ustrezni.

OBVESTILO: Običajna kovinska pila ni primerna za brušenje posebnega rezila AHB6500/AHB7500.

OBVESTILO: Če boste za brušenje rezalnega rezila uporabili brusilnik z nizkim številom vrtljajev (hitrost vrtenja < 2500 min⁻¹), med brušenjem neprekinjeno mažite rezilne zobe.

MAZANJE OBREZOVALNIKA ŽIVE MEJE

⚠ OPOZORILO: Ne mažite, ko je v obrezovalniku žive meje še vedno nameščen akumulator ali ko obrezovalnik še deluje.

Mazanje rezila

Za najboljše delovanje in daljšo življenjsko dobo rezila pred vsako uporabo obrezovalnika in po njej namažite rezilo obrezovalnika žive meje z lahkim motornim oljem.

Odstranite akumulator in odložite obrezovalnik na plosko površino. Nanesite olje po robu zgornjega rezila (slika N).

Mazanje ohišja zobnikov

Za najboljše delovanje in daljšo življenjsko dobo namažite ohišje zobnikov obrezovalnika žive meje vsakih 50 obratovalnih ur s posebno mastjo (vsakič 5-6 g na del št. 1 in 10-12 g na del št. 2).

Posebna mast mora biti skladna s temi zahtevami.

1. Pripadati mora penetraciji stožca po standardu DIN51818: NLGI-2.
2. Sestavljena je iz sredstev za zgoščevanje iz poliuterana + sintetičnega mazalnega olja
3. Odličen zagon pri nizki temperature, EP, mehanske škarje, odpornost proti odrgnjenju in lastnosti oksidacijske stabilnosti.
4. Obratovalna temperatura mora vsebovati -40–180°C.

Odstranite čep akumulatorja in dva tesnilna vijaka (slika O). Mazanje ohišja zobnikov skozi odprtino za olje.

OPOMBA: Pogonskega ohišja z mastjo ne napolnite v celoti.

TRANSPORT IN SKLADIŠČENJE

- Pred shranjevanjem ali prevozom obrezovalnika žive meje vedno namestite ščitnik na rezilo. Bodite previdni, da se izognete ostrim zobem rezila.
- Pred skladiščenjem obrezovalnik žive meje temeljito očistite.
- Obrezovalnik žive meje skladiščite v notranjem suhem prostoru, ki je nedostopen otrokom.

- Ne shranjujte ga v bližini korozivnih sredstev, kot so vrtno kemikalije in soli za topljenje ledu.

⚠ OPOZORILO: Rezila so ostra. Pri sestavljanju rezil si nadenite neдрseče zaščitne rokavice za groba dela. Prstov in dlani ne postavljajte med rezila ali na mesta, kjer bi jih mehanizem lahko stisnil ali odrezal. NE dotikajte se rezil ali servisirajte enote, če je baterijski sklop nameščen.

Varovanje okolja



Električne opreme, rabljene baterije in polnilnika ne odvrzite med gospodinjne odpadke. Izdelek odnesite v pooblaščen obrat za recikliranje in ga zavrzite ločeno. Električna orodja je treba odnesti na obrat za recikliranje in ga reciklirati na okolju prijazen način.

ODPRAVLJANJE TEŽAV

TEŽAVA	VZROK	REŠITEV
Obrezovalnik žive meje ne deluje.	<ul style="list-style-type: none"> ■ Baterijski sklop ni pritrjen na obrezovalnik žive meje ali pa med obrezovalnikom žive meje in baterijo ni električnega stika. 	<ul style="list-style-type: none"> ■ Baterijski vtič ponovno vstavite v obrezovalnik žive meje.
	<ul style="list-style-type: none"> ■ sklop 	<ul style="list-style-type: none"> ■ Napolnite baterijski sklop z navedenim polnilnikom.
	<ul style="list-style-type: none"> ■ Gumb za zaklepanje ni bil prestavljen v položaj »ON«, preden ste pritisnili vzvoda. 	<ul style="list-style-type: none"> ■ Pred uporabo obrezovalnika se prepričajte, da je gumb za zaklepanje odklenjen.
	<ul style="list-style-type: none"> ■ Baterijski sklop ali obrezovalnik žive meje je prevroč. 	<ul style="list-style-type: none"> ■ Počakajte, da se baterijski sklop ali obrezovalnik žive meje ohladi do normalne temperature.
	<ul style="list-style-type: none"> ■ Rezilo je zagozdeno. 	<ul style="list-style-type: none"> ■ Baterijski sklop odstranite z orodja. Oviro previdno odstranite, nato ponovno vstavite baterijo in zaženite orodje.
	<ul style="list-style-type: none"> ■ Obrezovalnik žive meje je preobremenjen. 	<ul style="list-style-type: none"> ■ Zmanjšajte obremenitev naprave.
Prevelike vibracije ali hrup.	<ul style="list-style-type: none"> ■ Suha ali razjedena rezila. 	<ul style="list-style-type: none"> ■ Namažite rezila.
	<ul style="list-style-type: none"> ■ Rezilo ali podpora za rezilo je upognjena. 	<ul style="list-style-type: none"> ■ Zamenjajte z novim rezilom ali podporo za rezilo. Za zamenjavo rezila ali podpore za rezilo se obrnite na servisni center EGO.
	<ul style="list-style-type: none"> ■ Zobje so upognjeni ali poškodovani. 	<ul style="list-style-type: none"> ■ Zamenjajte z novim rezilom. Za zamenjavo rezila se obrnite na servisni center EGO.
	<ul style="list-style-type: none"> ■ Zrahljani vijaki rezila. 	<ul style="list-style-type: none"> ■ Privijte vijake rezila. S ključem vijak obrnite v smeri urinega kazalca in ga privijte.

GARANCIJA

GARANCIJSKA POLITIKA DRUŽBE EGO

Za popolne pogoje garancijske politike družbe EGO obiščite spletno stran egopowerplus.eu.

PERSKAITYKITE VISĄ INSTRUKCIJĄ!



PERSKAITYKITE NAUDOJIMO INSTRUKCIJĄ

⚠️ ĮSPĖJIMAS: Norint užtikrinti saugų ir patikimą gaminio naudojimą, visus remonto ir keitimo darbus turi atlikti kvalifikuotas techninės priežiūros specialistas.

SAUGOS SIMBOLIAI

Šių simbolių paskirtis – atkreipti dėmesį į galimus pavojus. Gerai susipažinkite su saugos simboliais bei jų paaiškinimais ir juos įsidėmėkite. Simbolių įspėjimai patys savaime negali apsaugoti nuo pavojų.

Jais žymimi nurodymai ir įspėjimai neatstoja tinkamų nelaimingų atsitikimų prevencijos priemonių.

⚠️ ĮSPĖJIMAS: Prieš pradėdami naudoti šį gaminį perskaitykite visus šioje naudojimo instrukcijoje pateiktus saugos nurodymus, taip pat susipažinkite su visais saugos įspėjamaisiais simboliais, tokiais kaip „**PAVOJUS**“, „**ĮSPĖJIMAS**“ ir „**PERSPĖJIMAS**“, ir įsitikinkite, kad juos supratote. Nesilaikant visų toliau išdėstytų nurodymų galima patirti elektros smūgį, sukelti gaisrą ir (arba) sunkiai susižeisti.

SIMBOLIO REIKŠMĖ

SAUGOS ĮSPĖJAMASIS SIMBOLIS: nurodo **PAVOJŲ**, **ĮSPĖJIMĄ**, arba **PERSPĖJIMĄ**. Gali būti panaudotas su kitais simboliais arba piktogramomis.

⚠️ ĮSPĖJIMAS: Naudojant bet kokius elektros prietaisus gali būti išsviesti ir pataikyti į akis pašaliniai objektai, galintys sunkiai sužeisti akis. Prieš pradėdami naudoti elektros prietaisą, visada užsidėkite apsauginius akinius arba apsauginius akinius su šonine apsauga ir, kai reikia, visą veidą dengiantį skydelį. Rekomenduojame naudoti platų matymo lauką užtikrinančią apsauginę kaukę ant akinių arba standartinius apsauginius akinius su šonine apsauga.

SAUGOS NURODYMAI

Šiame puslapyje pavaizduoti ir aprašyti saugos simboliai, kurių gali būti ant šio gaminio. Prieš pradėdami surinkti ir naudoti prietaisą, perskaitykite visus ant jo pateiktus nurodymus, įsitikinkite, kad juos supratote, ir jais vadovaukitės.

	Saugos įspėjimas	Nurodo galimą sužalojimo pavojų.
	Perskaitykite naudojimo instrukciją	Norėdami sumažinti susižeidimo riziką, naudotojas privalo perskaityti naudojimo instrukciją.
	Rankas ir pėdas laikykite atokiau nuo pjovimo įrankio	Niekada nebandykite dirbti su elektriniu įrankiu viena ranka. Praradus elektrinio įrankio kontrolę galite sunkiai ar mirtinai susižeisti. Norėdami sumažinti pjautinių traumų pavojų rankas ir pėdas laikykite toliau nuo pjovimo įrankio. Niekada nepriglauskite judančio pjovimo įrankio prie rankų ar kitų kūno dalių.
	Dėvėkite akių apsaugos priemones	Naudodami šį gaminį visada užsidėkite apsauginius akinius arba apsauginius akinius su šonine apsauga ir visą veidą dengiantį skydelį.
	Triukšmas	Garantuojamas garso galios lygis. Triukšmo sklaida į aplinką atitinka Europos Bendrijos direktyvą.
	CE	Šis gaminytis atitinka taikomas EB direktyvas.
	UKCA	Šis gaminytis atitinka jam taikomus JK reglamentus.
	WEEE	Elektros prietaisų atliekas draudžiama utilizuoti kartu su buitinėmis atliekomis. Perduoti įgiotam perdirbėjui.
	Ašmenų ilgis	Ašmenų ilgis
	Kirpimo charakteristikos	Maks. ašmenų pjovimo pajėgumas
	IP simbolis	Apsauga nuo vandens srovį
	Volts	Įtampa
	Nuolatinė elektros srovė	Srovės tipas arba charakteristika

.../min	Per minutę	Apsisukimai per minutę
mm	Millimetras	Ilgis arba dydis
cm	Centimetras	Ilgis arba dydis
n_0	Sūčiai bei apkravos	Sukimosi greitis, kai nėra apkravos

BENDRIEJI SAUGOS NURODYMAI DĖL ELEKTRINIO ĮRANKIO

⚠ ĮSPĖJIMAS: perskaitykite ir peržiūrėkite visus su šiuo elektriniu įrankiu pateiktus saugos nurodymus, instrukcijas, paveikslus ir specifikacijas. Nesilaikant visų toliau išdėstytų nurodymų galima patirti elektros smūgį, sukelti gaisrą ir (ar) sunkiai susižaloti.

Visus įspėjimus ir instrukcijas saugokite vėlesniam naudojimui.

Terminu „elektrinis įrenginys“ įspėjimuose vadinamas elektros energiją (prijungtas laidu) naudojantis elektrinis įrenginys arba baterijos energiją naudojantis (akumulatorinis) elektrinis įrenginys.

DARBO VIETOS SAUGA

- Darbo vieta turi būti švari ir gerai apšviesta. Jei darbo vieta netvarkinga ar blogai apšviesta, gali įvykti nelaimingų atsitikimų.
- Nedirbkite su elektros prietaisais sprogioje aplinkoje, pavyzdžiui, ten, kur yra degių skysčių, dujų arba dulkių. Elektros prietaisai gali kibirkščiuoti, o nuo kibirkščių gali užsidegti dulksės arba susikaupę garai.
- Dirbdami su elektros prietaisais neleiskite šalia būti vaikams ir pašaliniais stebėtojams. Nukreipę dėmesį kitur galite nebesuvaldyti prietaiso.

ELEKTROS SAUGA

- Elektros įrenginių kištukai turi tikti kištukiniams lizdams. Niekada nebandykite kaip nors pakeisti kištuko. Nenaudokite jokių kištuko adapterių su įžemintais prietaisais. Originalūs kištukai, tiksliai tinkantys elektros tinklo lizdai, sumažina elektros smūgio pavojų.
- Venkite kūno kontakto su įžemintais paviršiais, tokiais kaip vamzdžiai, šildytuvai, viryklės ir šaldytuvai. Jei jūs kūnas bus įžemintas, padidės elektros smūgio pavojus.
- Saugokite elektros prietaisus nuo lietaus ar drėgmės. Vandeniui patekus į elektros prietaiso vidų padidėja elektros smūgio pavojus.
- Nenaudokite sudėtinės baterijos laido netinkamai. Niekada neneškite ir netempkite elektrinio įrankio,

laikydami už maitinimo laido. Netraukite laikydami už maitinimo laido, norėdami ištraukti kištuką iš elektros lizdo. Laidą nutieskite taip, kad jo neveiktų karštis, jis neišsitemptų alyva ir jo nepažeistų aštrios detalės ar judančios prietaiso dalys. Pažeidus arba supainiojus laidus kyla didesnis pavojus patirti elektros smūgį.

- Naudodamiesi elektros prietaisais lauke, naudokite laukui skirtą laido ilgutuvą. Naudojantis laukui skirtu laidu mažėja rizika patirti elektros smūgį.
- Jeigu elektrinio įrenginio naudojimas drėgnoje vietoje yra neišvengiamas, naudokite maitinimo šaltinį su apsauginio išjungimo įtaisu (RCD). RCD naudojimas sumažina elektros smūgio pavojų.

ASMENINĖ SAUGA

- Dirbdami su elektros prietaisais būkite atidūs, sutelkite dėmesį į tai, ką darote ir, vadovaukitės sveiku protu. Nedirbkite su prietaisais, jei esate pavargę arba vartojote narkotikus, alkoholį ar medikamentus. Dirbant su elektros prietaisais užtenka vienos neatidumo akimirkos ir galima sunkiai susižeisti.
- Naudokite asmens saugos priemones. Visada dėvėkite apsauginius akinius. Naudojant asmenines saugos priemones, pvz., apsaugos nuo dulkių kaukę, neslystančius batus, apsauginį šalną ar klausos apsaugos priemones, rekomenduojamas dirbant tam tikromis sąlygomis, sumažėja rizika susižeisti.
- Apsaugokite nuo atsitiktinio išjungimo. Prieš jungdami įrenginį prie maitinimo šaltinio ir (arba) sudėtinės baterijos, paimdami ar nešdami įrenginį, įsitikinkite, kad jungiklis yra išjungtoje padėtyje. Jeigu pernešant įrenginį laikote pirštą ant jungiklio arba jungiate prie maitinimo šaltinio įrenginį, kurio jungiklis yra įjungimo padėtyje, galite sukelti nelaimingą atsitikimą.
- Prieš jungdami prietaisą pašalinkite visus reguliavimo įrenginius arba veržliarakčius. Prietaiso besisukančioje dalyje likus įrenginiui ar veržliarakčiui galima susižeisti.
- Nepervertinkite savo galimybių. Dirbdami tvirtai stovėkite ir visada išlaikykite pusiausvyrą. Tai leis geriau valdyti prietaisą netikėtose situacijose.
- Tinkamai apsirenkite. Nedėvėkite laisvų drabužių ir nenešiotkite laisvai kabančių papuošalų. Savo plaukus ir drabužius laikykite atokiau nuo judančių dalių. Judančios dalys gali įtraukti laisvus drabužius, papuošalus arba ilgus plaukus.
- Jei yra numatyta galimybė prijungti dulkių nusiurbimo ar surinkimo įtaisus, visada užtikrinkite, kad jie būtų prijungti ir naudojami teisingai. Naudojant dulkių surinkimo įrenginius, gali sumažėti su dulkiėmis susijusių pavojų.

- Dažnai naudodami įrankius pernelyg savimi nepasitikėkite ir neparaskite budrumo, kad paisytumėte saugaus įrankio naudojimo taisyklių. Užtenka akimirkos, kad dėl neatsargaus veiksmo sunkiai susižalotumėte.

■ ELEKTRINIŲ ĮRENGINIŲ NAUDOJIMAS IR PRIEŽIŪRA

- Nespauskite elektrinio įrankio pernelyg didele jėga. Naudokite jūsų darbui tinkamą elektrinį įrankį. Veikdamas numatytoju greičiu, tinkamas elektrinis įrankis darba atlieka veiksmingiau ir saugiau.
- Nenaudokite elektros prietaiso, jeigu nebegalima įjungti ar išjungti jo jungiklio. Elektros prietaisas, kuris negali būti įjungiamas ar išjungiamas jungikliu, yra pavojingas ir turi būti remontuojamas.
- Prieš reguliuodami elektrinį įrankį, keisdami jo priedus arba padėdami jį į laikymo vietą, atjunkite kištuką nuo maitinimo šaltinio ir (ar) sudėtinę bateriją nuo įrankio. Tokios prevencinės saugos priemonės sumažina pavojų atsitiktinai įjungti elektrinį įrankį.
- Nenaudojamą prietaisą laikykite vaikams ir nemokantiems juo naudotis asmenims neprieinamoje vietoje. Elektros prietaisai yra pavojingi, kai juos naudoja nepatyrę asmenys.
- Tinkamai prižiūrėkite elektrinius įrankius ir priedus. Tikrinkite, ar besisukančios elektrinio įrankio dalys tinkamai suderintos ir niekur nekliūva, ar nėra sulūžusių ar kitaip pažeistų dalių, kurios pablogintų jo veikimą. Prieš vėl naudojant elektrinį įrankį, sugadintos jo dalys turi būti suremontuotos. Daugelio nelaimingų atsitikimų priežastis yra netinkama elektrinių įrankių priežiūra.
- Pjovimo įrenginiai turi būti aštrūs ir švarūs. rūpestingai prižiūrėti pjovimo įrenginiai su aštriomis pjaunamosiomis briaunomis mažiau stringa ir juos yra lengviau valdyti;
- Elektrinius įrenginius, priedus, įrenginių antgalius ir pan. naudokite vadovaudamiesi jų instrukcijomis, atsižvelgdami į darbo sąlygas ir atliekamą darbą. Naudojant elektros prietaisus ne pagal paskirtį gali kilti pavojingos situacijos.
- Įrankių rankenos ir sugriebimo paviršiai turi būti sausi, švarūs ir neištepti alyva ar tepalu. Dėl slidžių rankenų ir sugriebimo paviršių įrankį sunku saugiai valdyti ir jis gali išsprūsti netikėtomis aplinkybėmis.

BATERIJŲ NAUDOJIMAS IR PRIEŽIŪRA

- Pakartotinai kraukite tik naudodamiesi gamintojo nurodytu įkrovikliu. Naudojant kitam akumuliatoriaus tipui tinkamą įkroviklį gali kilti gaisro rizika.

- Elektros prietaisus naudokite tik su jiems skirtomis sudėtinėmis baterijomis. Naudojant kitokias sudėtinės baterijas gali kilti sužeidimų ir gaisro pavojus.
- Nenaudojama sudėtinė baterija turi būti laikoma atokiau nuo metalinių objektų, tokių kaip sąvaržėlės, monetos, raktai, viny, varžtai ar kiti metaliniai objektai, galintys sujungti abu baterijos gnybtus. Įvykus trumpajam jungimui tarp baterijos gnybtų galima nusidiegti ar gali kilti gaisras.
- Dėl netinkamų sąlygų iš akumuliatoriaus gali ištekėti skystis – nelieskite jo. Atsitiktinai patekus ant odos, nedelsiant nuplaukite vandeniu. Jeigu skystis pateko į akis, papildomai kreipkitės pagalbos į gydytojus. Iš akumuliatoriaus ištekėjęs skystis gali dirginti arba nudeginti.
- Laikykitės įrankio ar sudėtinės baterijos įkrovimo instrukcijų ir įkrovimą vykdykite nurodytame temperatūrų diapazone. Priešingu atveju galite sugadinti sudėtinę bateriją ar net sukelti gaisrą.
- Nenaudokite sugadintos ar pakeistos konstrukcijos sudėtinės baterijos ar įrankio. Tokios netinkamos sudėtinės baterijos gali kelti gaisro, sprogo ar sužalojimo pavojų.
- Sudėtinės baterijos ar įrankio negalima deginti ar kaitinti. Bateriją deginant ar įkaitinus virš 100 °C ji gali sprogti.

TECHNINĖ PRIEŽIŪRA

- Prietaisą gali remontuoti tik kvalifikuotas specialistas, naudodamas tik originalias atsargines dalis. Taip bus užtikrinta, jog prietaisas išliks saugus.
- Niekada neremontuokite sugadintos sudėtinės baterijos. Tokias baterijas remontuoti gali tik gamintojas arba įgalioto techninės priežiūros centro specialistai.

GYVATVORIŲ ŽIRKLIŲ SAUGOS ĮSPĖJIMAI

- Visas kūno dalis laikykite atokiau nuo gyvatvorės žirklių ašmenų. Kai ašmenys juda, nebandykite išimti nupjautų šakelių arba jas laikyti pjovimo metu. Kai šalinatė įstrigusias šakeles, išitinkinkite, kad jungiklis yra išjungtas. Neatidžiai dirbdami su gyvatvorių žirkėmis, galite sunkiai susižaloti.
- Gyvatvorių žirkles neškite už rankenos, esant išjungtiems žirklių ašmenims. Kai gabenate arba sandėliuojate gyvatvorių žirkles, visada uždėkite ašmenų gaubtą. Tinkamas gyvatvorių žirklių naudojimas sumažins galimą susižalojimą į pjovimo ašmenis.
- Elektrinį įrenginį laikykite tik už izoliuoto, laikymui skirto paviršiaus, nes kerpant žirklių ašmenys gali prisiliesti prie tarp šakų pasislėpusio elektros laido. Ašmenys, prisilietę prie laido, kuriuo teka elektros

srovė, gali ją perduoti į kitas metalines įrenginio dalis ir operatoriumi sukelti elektros smūgį.

- **Baterijos laidą laikykite atokiau nuo pjovimo vietos.** Darbo metu laidas gali įsipainioti krūmuose ir žirkklės gali jį atsitiktinai įpjauti.
- Prieš kirpimą, patikrinkite gyvatvorę ar nėra pašalinių objektų, pvz., vielinės tvoros.
- Gyvatvorių žirkles naudokite tik su tinkamai sumontuota apsauga. Gyvatvorių žirkles naudodami be tinkamos apsaugos, galite sunkiai susižaloti!
- **Kai dirbate su gyvatvorių žirkklėmis, laikykite jas abejomis rankomis. Laikydami tik viena ranka galite prarasti įrenginio valdymą ir sunkiai susižaloti.**

SVARBŪS SAUGOS NURODYMAI

- Nekraukite akumulatoriaus lietuje arba esant drėgnoms sąlygoms.
- Prieš atiduodant įrenginį į metalo laužą, būtina išimti sudėtinę bateriją.
- Paimdami arba laikydami gyvatvorių žirkles, neimkite už neuždengtų ašmenų arba pjovimo briaunų.
- Nenaudokite ant kopėčių, stogo, medžio arba kito nestabiliaus paviršiaus. Stabiliai stovėsenai ir tvirtam paviršius užtikrina geresnį gyvatvorių žirklių valdymą netikėtose situacijose.
- Niekada neleiskite vaikams naudoti gyvatvorių žirklių.
- Niekada nenuimkite ir nemodifikuokite saugos įtaisų. Reguliariai patikrinkite, ar jie tinkamai veikia. Niekada nedarykite nieko, kas trukdytų saugos įtaisui atlikti numatytąją funkciją arba sumažintų saugos įtaiso suteikiamą apsaugą.
- Dažnai patikrinkite, ar peilio ir variklio tvirtinimo varžtai tinkamai priveržti. Taip pat, apžiūrėkite, ar peilis nepažeistas (pvz., neįlenktas, neįtrūkęs ir nesusidėjęs). Ašmenis keiskite tik kitais EGO™ ašmenimis.
- Jeigu ašmenys yra sulenkti arba įtrūkę, pakeiskite juos. Nesubalansuoti ašmenys sukelia vibracijas, kurios gali sugadinti elektros variklį arba sužaloti operatoriumi.
- Jei įrenginys pradeda neįprastai vibruoti, nedelsdami išjunkite variklį ir nustatykite priežastį.
- Gyvatvorių žirkles skirtos karpyti iki 33 mm storio šakoms.
- Neplaukite žoliapjovės su vandens žarna. Saugokite, kad vandens nepatektų ant variklio ir elektros jungčių.
- Laikykites nurodymų dėl tepimo ir priedų keitimo.
- Pasirūpinkite, kad rankenos būtų sausas, švarios ir nesutęptos alyva arba tepalu.

- Išsaugokite šias instrukcijas. Dažnai jas pavartykite ir naudokitės jomis mokydami kitus asmenis, kurie gali naudoti šį prietaisą. Skolindami šį prietaisą kam nors kitam, taip pat paskolinkite ir šias instrukcijas, kad būtų išvengta netinkamo produkto naudojimo arba galimo susižeidimo.

IŠSAUGOKITE ŠIAS INSTRUKCIJAS!

TECHINIAI DUOMENYS

Įtampa	56 V	56 V
Žirklių greitis	1800 /min	1800 /min
Ašmenų ilgis	65 cm	75 cm
Kirpimo charakteristikos	31 mm	31 mm
Įrankio svoris	4,1 kg	4,2 kg
Rekomenduojama darbo temperatūra	0°C-40°C	0°C-40°C
Rekomenduojama laikymo temperatūra	-20°C-70°C	-20°C-70°C
Išmatuotas garso galios lygis L_{WA}	90,1 dB(A) K=2,9 dB(A)	95,4 dB(A) K=1,52 dB(A)
Garso slėgio lygis ties operatoriaus ausimi L_{PA}	80,1 dB(A) K=3 dB(A)	83,9 dB(A) K=2,5 dB(A)
Garantuojamas garso galios lygis L_{WA} (išmatuotas pagal 2000/14/EB)	93 dB(A)	97 dB(A)
Vibracija a_h	Galinė rankena 3,2 m/s ² K=1,5 m/s ²	2,872 m/s ² K=1,5 m/s ²
	Priekinė rankena 3,9 m/s ² K=1,5 m/s ²	3,536 m/s ² K=1,5 m/s ²

- Nurodyta bendroji vibracijos vertė išmatuota taikant standartinį bandymo metodą, todėl pagal ją galima palyginti skirtingus įrenginius.
- Nurodytą bendrąją vibracijos vertę taip pat galima naudoti pirminiam poveikio vertinimui.

PASTABA: Naudojant įrenginį realiomis sąlygomis, skleidžiamos vibracijos stiprumo vertė gali skirtis nuo nurodytos. Kad apsaugotų dirbdamas realiomis sąlygomis, naudotojas turi mūvėti pirštines ir naudoti ausų apsaugos priemones.

PAKUOTĖS TURINIO SĄRAŠAS

DALIES PAVADINIMAS	SKAIČIUS
Gyvatvorių žirkklės	1
Ašmenų apsauga	1
Naudojimo instrukcija	1

APRAŠAS

SUŽINOKITE, KAIP VEIKIA GYVATVORIŲ ŽIRKLĖS (A pav.)

- Viršūnės apsauga
- Ašmenys
- Ašmenų apsauga
- Priekinio jungiklio svirtis
- Priekinė rankena
- Blokuotės išjungimo jungiklis
- Galinio jungiklio svirtis
- Galinė rankena
- „U“ formos kabliukas
- Lizdas
- Rankos apsauga
- Schermo

⚠️ AVVERTENZA! Questo prodotto è uscito dalla fabbrica completamente assemblato. Non rimuovere mai il paramano durante l'uso. Se danneggiato, farlo sostituire immediatamente da un tecnico qualificato.

⚠️ ĮSPĖJIMAS: saugiam šio gaminio naudojimui reikalingas ant įrenginio ir naudotojo vadove pateiktos informacijos supratimas, taip pat taip pat projekto, kurį planuojate vykdyti, žinojimas. Prieš pradėdami naudoti šį įrenginį, susipažinkite su visomis veikimo funkcijomis ir saugos taisyklėmis.

NAUDOJIMAS

⚠️ ĮSPĖJIMAS: mokėjimas naudotis įrenginiu nesuteikia teisės dirbti nerūpestingai. Atsiminkite, kad trumpam atitraukę dėmesį galite sunkiai susižaloti.

⚠️ ĮSPĖJIMAS: visada dėvėkite akinius su šonine apsauga ir ausų apsaugą. Nesilaikant šio nurodymo, objektai gali būti sviedžiami jums į akis arba galite būti kitaip sunkiai sužaloti.

⚠️ ĮSPĖJIMAS: Norėdami išvengti atsitiktinio paleidimo, kuris gali lemti sunkų sužalojimą, visada išimkite sudėtinę bateriją iš įrenginio, kai montuojate dalis, reguliuojate, valote arba nenaudojate įrenginio.

⚠️ ĮSPĖJIMAS: nenaudokite bet kokių priedų arba įtaisų, kurių nerekomendavo EGO™. Naudodami nerekomenduojamus priedus arba įtaisus galite sunkiai susižaloti.

Prieš kiekvieną naudojimą patikrinkite visą įrenginį, ar nėra sugadintas, netrūksta dalių arba, ar jos nėra atsilaisvinusios (sraigatai, veržlės, varžtai, dangteliai ir pan.). Priveržkite visus tvirtinimo elementus ir uždėkite dangtelius. Nenaudokite įrenginio, kol nebus sumontuotos trūkstamos arba pakeistos sugadintos dalys.

Šį gaminį galima naudoti lyjant lietu.

SUDĖTINĖS BATERIJOS ĮSTATYMAS / IŠĖMIMAS

Naudokite tik su A paveiksle nurodytomis sudėtinėmis baterijomis ir įkrovikliais.

Prieš naudodami pirmą kartą, įkraukite.

Montavimas (B & C & D pav.)

Sulyginkite **▲** rodykles ant kištuko ir gyvatvorių žirklių ir kištuką įkiškite į žirklių lizdą, kol žalia žymė visiškai pasislėps lizde.

Baterijos laidą uždėkite ant „U“ kabliuko.

Nuėmimas (E pav.)

Atkabinkite baterijos laidą nuo „U“ kabliuko ir ištraukite kištuką iš gyvatvorių žirklių lizdo.

GYVATVORIŲ ŽIRKLIŲ PALEIDIMAS / STABDYMAS

Prieš pradėdami darbą nuimkite ašmenų apsaugą ir laikykite žirkles abiem rankomis, t. y. viena ranka galinę rankeną, o kita – priekinę rankeną. Tvirtai atsistokite, palaikydami stabilią stovėseną ir tinkamą pjovimo atstumą.

⚠️ ĮSPĖJIMAS: visada abejomis rankomis laikykite gyvatvorių žirklių rankenas. Niekada viena ranka nelaikykite krūmo, o kita gyvatvorių žirklių. Nesilaikydami šio nurodymo galite sunkiai susižaloti.

⚠️ ĮSPĖJIMAS: Stabdydami gyvatvorių žirkles, pradžioje išjunkite blokuotę (OFF), o po to nuimkite sudėtinę bateriją. Nesilaikydami šio nurodymo galite sunkiai susižaloti.

Paleidžiant

Blokuotės išjungimo jungiklį nustatykite į ON padėtį (F pav.) ir po to paspauskite galinio jungiklio svirtį. Laikydami galinio jungiklio svirtį nuspausta, paspauskite priekinio jungiklio svirtį, kad įrankis pradėtų veikti.

Toliau pateiktas F paveiksle parodytų dalių aprašas:

F-1	Blokuotės išjungimo jungiklis
F-2	Galinio jungiklio svirtis

Stabdant

Kad įrankis sustotų, atleiskite bet kurio jungiklio svirtį, o po to blokuotės išjungimo jungiklį nustatykite į OFF padėtį, kad įrankis netyčia neįsijungtų.

PASTABA: Norint įjungti gyvatvorių žirkles, turi būti nuspaustos abejos svirtys.

GYVATVORIŲ ŽIRKLIŲ LAIKYMAS

Įrenginį, nukreiptais nuo savęs ašmenimis, laikykite abejomis rankomis už priekinės ir galinės rankenos. Įrankį galima laikyti trimis būdais ir taip atlikti skirtingas kirpimo procedūras (G, H ir I pav.).

GYVATVORIŲ ŽIRKLIŲ NAUDOJIMAS

⚠️ ĮSPĖJIMAS: Jeigu ašmenys įstringa bet kokiam elektrės laide ar elektrės linijos laide, **NELIESKITE AŠMENŲ! JAIS GALI TEKĖTI ELEKTROS SROVĖ, O TAI GALI BŪTI LABAI PAVOJINGA.** Laikykite gyvatvorių žirkles už izoliuotų rankenų arba padėkite toliau nuo savęs saugiu būdu. Prieš bandydami išlaisvinti ašmenis, atjunkite maitinimo laidą arba elektrės tiekimo liniją. Nesilaikydami šio nurodymo galite sunkiai ar net mirtinai susižaloti.

⚠️ ĮSPĖJIMAS: norėdami išvengti rimtų sužalojimų, laikykite rankas toliau nuo ašmenų. Kai ašmenys juda, nebandykite išimti nupjautų šakelių arba jas laikyti pjovimo metu. Prieš šalindami įstrigusias šakeles iš ašmenų, įsitinkinkite, kad ašmenys visiškai sustoję ir akumuliatorius yra išimtas. Paimdami arba laikydami įrenginį, neimkite už neuždengtų ašmenų arba pjovimo briaunų.

⚠️ ĮSPĖJIMAS: Prieš kiekvieną naudojimą išvalykite pjaunamą plotą. Pašalinkite visus daiktus, kabelius, lempas, laidus arba virves, kurios gali įsipainioti tarp ašmenų ir kelti sunkaus sužalojimo pavojų.

⚠️ ĮSPĖJIMAS: Venkite kirpti per daug vienu metu arba per tankius krūmus. Dėl to ašmenys gali strigti ir sulėtėti, taip sumažėjant kirpimo našumui.

PASTABA: Kirpdami naujai išaugusią augmeniją, naudokite platų moją, kad stiebai patektų tiesiai į ašmenis. Paaugusi augmenija turi storesnius stiebus, todėl juos lengviau nupjausite naudodami pjovimo judesį. Apipjaustyti dideliems stiebams pirmiausia siūlomas nevariklinis rankinis pjūklas arba genėjimo pjūklas.

VIRŠŪNĖS KIRPIMAS

Naudokite platų moją. Geriausiems kirpimo rezultatams užtikrinti nesmarkiai paverskite ašmenis žemyn kirpimo kryptimi. Jeigu pageidaujate, galite naudoti virvę, kurios pagalba reguliuosite gyvatvorės pjovimo aukštį, kaip parodyta J pav.

Šonų kirpimas

Kai kerpate gyvatvorės šonus, pradėkite nuo apačios ir kirpkite į viršų (K pav.).

Viršūnės apsauga

La protezione della punta (L pav.) serve per proteggere l'estremità esterna della lama.

Coprilama

La parte esterna delle lame si adatta al coprilama (M pav.).

Toliau pateiktas M paveiksle parodytų dalių aprašas:

M-1	Lama
M-2	Coprilama

⚠️ AVVERTENZA! Controllare sempre che il coprilama non sia danneggiato distorto. Sostituirlo se è piegato o danneggiato.

TECHNINĖ PRIEŽIŪRA

⚠️ ĮSPĖJIMAS: Atlikdami techninės priežiūros darbus, naudokite tik identiškas atsargines dalis. Naudojant bet kokias kitas dalis, gali kilti pavojus arba sugesti gaminys. Norint užtikrinti saugų ir patikimą gaminio naudojimą visus remonto darbus turi atlikti kvalifikuotas techninės priežiūros specialistas.


⚠️ ĮSPĖJIMAS: norėdami išvengti rimtų sužeidimų, visada išimkite akumuliatorių iš įrenginio, kai valote arba atliekate techninę priežiūrą.

VALYMAS

- Nešvarumų nuo ašmenų ir oro įsibirmo angų šalinimui naudokite minkštą šepetėlį.
- Dervos arba kitų lipnių nešvarumų šalinimui užpurškite dervos tirpiklio ant ašmenų. Trumpam įjunkite variklį, kad tirpiklis tolygiai pasiskirstytų.
- Sausa šluoste švariai nuvalykite paviršius.

⚠️ ĮSPĖJIMAS: Valydami plastikinės dalis nenaudokite tirpiklių. Įvairūs komerciniai tirpikliai ardo daugelį plastikų. Purvo, dulkių, alyvos, tepalo ir pan. valymui naudokite švarų audinį.

PJOVIMO AŠMENŲ GALANDIMAS

1. Atjunkite nuo gyvatvorių žirklių sudėtinę bateriją.
2. AHB6500S/AHB7500S: Įtvirtinkite peilio konstrukciją spaustuvė ir dildykite atitinkamą kiekvieno peilio dantuko pjovimo paviršius. Stenkitės pašalinti kaip galima mažiau medžiagos. AHB6500/AHB7500 (su „“ ir „HARDENED“ (grūdintas) užrašais ant peilio paviršiaus): Peilio konstrukciją įstatykite į

spaustuvą ir pagalškite atitinkamą pjovimo paviršių deimantine dilde arba lėtaeigių galandimo prietaisu (sukimosi greitis < 2 500 min⁻¹, pastūmos greitis <60 mm/min., dildės tinklelio numeris >100). Stenkitės pašalinti kaip galima mažiau medžiagos.

3. Išimkite iš spaustuvų geležtę ir įtvirtinkite kitos pusės negaląštą geležtę.

Pakartokite aprašytą procedūrą, kol pagalškite visus geležtės dantis.

PASTABA: nenaudokite gyvatvorių žirklių, kurių pjovimo ašmenys atšipę ar sugadinti. Taip galite pernelyg įrankį apkrauti ir žirkles prastai pjauti.

PASTABA: įprastine metalo dilde negalima galąsti specialių AHB6500/AHB7500 ašmenų.

PASTABA: jei pjovimo ašmenis galandate šlifutuovu (kurio sukimosi greitis iki 2500 suk./min.), procedūros metu geležtės dantis nuolat aušinkite vandeniu.

GYVATVORIŲ ŽIRKLIŲ TEPIMAS

[SPĖJIMAS. Netepkite kol prie gyvatvorių žirklių yra prijungtas akumuliatorius arba jos veikia.

Peilio tepimas

Norėdami užtikrinti geriausią veikimą ir peilio ilgaamžiškumą, gyvatvorių žirklių peilį tepkite lengvąja mašininė alyva prieš ir po kiekvieno naudojimo.

Išimkite akumuliatorių ir gyvatvorių žirkles padėkite ant lygaus paviršiaus. Alyvą tepkite išilgai viršutinio peilio krašto (N pav.).

LT

Reduktoriaus tepimas

Geriausias veikimas ir ilgesnis eksploatavimo laikas užtikrinamas tepant gyvatvorių žirklių reduktorių specialiu tepalu (kiekvieną kartą apie 5-6 g į Nr. 1 ir 10-12 g į Nr. 2 angas) kas 50 veikimo valandų.

Specialus tepalas turi atitikti toliau pateikiamus reikalavimus.

1. Atitikti DIN51818: NLGI-2 kūgio penetracijos laipsnį.
2. Sudėtis: polikarbamido tirštikiai ir sintetinė tepimo alyva
3. Puikios paleidimo žemoje temperatūroje, mechaninio kirpimo, EP, atsparumo dilimui ir oksidavimuisi savybės.
4. Darbinė temperatūra turi būti nuo -40 °C iki 180°C.

Išimkite akumuliatoriaus kištuką ir išsukite du angas dengiančius varžtus (O pav.). Alyvą į reduktorių įpilkite pro alyvos įpylimo angą.

PASTABA: neužpildykite reduktoriaus tepalu iki pat viršaus.

TRANSPORTAVIMAS IR SANDĖLIAVIMAS

- Prieš gyvatvorių žirklių gabenimą ir sandėliavimą visada ant ašmenų uždėkite apsaugą. Būkite atsargūs ir nesilieskite prie aštrių ašmenų dantukų.
- Prieš sandėliavimą kruopščiai nuvalykite gyvatvorių žirkles.
- Gyvatvorių žirkles sandėliuokite sausoje patalpoje, nepasiekiamoje vaikams vietoje.
- Laikykite atokiau nuo koroziją sukeliančių medžiagų, kaip sodo chemikalai ir techninės druskos.

⚠ ĮSPĖJIMAS: ašmenys yra aštrūs. Atlikdami veiksmus su ašmenimis, mūvėkite neslidžias ir tvirtas apsaugines pirštines. Nekiškite rankos arba pirštų tarp ašmenų arba tokioje padėtyje, kur jie gali būti sugnybti arba įpjauti. NIEKADA nelieskite ašmenų arba neatlikite techninės priežiūros, jeigu į įrenginį įstatyta sudėtinė baterija.

Aplinkos apsauga



Neišmeskite elektros įrangos, panaudotų baterijų ir įkroviklio kartu su buitiniams atliekomis! Šias atliekas reikia pristatyti į jų surinkimo vietą ar įgaliotam perdirbėjui. Elektrinius įrankius reikia gražinti į tokių atliekų perdirbimo įmonę.

TRIKČIŲ DIAGNOSTIKA IR JŲ ŠALINIMAS

PROBLEMA	PRIEŽASTIS	SPRENDIMAS
Gyvatvorių žirklys neveikia.	<ul style="list-style-type: none"> ■ Sudėtinė baterija neprijungta prie gyvatvorių žirklių arba nėra kontakto tarp baterijos ir žirklių. ■ Sudėtinė baterija visiškai išsikrovusi. ■ Prieš nuspaudžiant jungiklių svirtis, blokuotės išjungimo jungiklis nenustatytas į ON padėtį. ■ Sudėtinė baterija arba gyvatvorių žirklys per daug įkaitusios. ■ Įstrigę ašmenys. ■ Per didelė gyvatvorių žirklių apkrova. 	<ul style="list-style-type: none"> ■ Atjunkite ir dar kartą prijunkite sudėtinę bateriją prie gyvatvorių žirklių. ■ Įkraukite sudėtinę bateriją, naudodami nurodytą įkroviklį. ■ Prieš paleisdami gyvatvorių žirkles patikrinkite, ar išjungtas blokuotės jungiklis. ■ Leiskite sudėtinai baterijai ar gyvatvorių žirklyms atvėsti iki normalios temperatūros. ■ Nuo įrankio nuimkite sudėtinę bateriją. Atsargiai pašalinkite klūtis ir po to vėl prijunkite bateriją ir paleiskite įrankį. ■ Sumažinkite įrankio apkrovą.
Per didelė vibracija arba triukšmas.	<ul style="list-style-type: none"> ■ Nesutepti arba korozijos pažeisti ašmenys. ■ Ašmenys arba atramos atrama yra sulankstyta. ■ Sulankstyti arba sugadinti dantukai. ■ Atsileidę ašmenų varžtai. 	<ul style="list-style-type: none"> ■ Sutepkite ašmenis. ■ Ašmenis arba atramą pakeiskite nauja. Dėl ašmenų ar atramos pakeitimo kreipkitės į EGO techninės priežiūros centrą. ■ Ašmenis pakeiskite naujais. Dėl ašmenų pakeitimo kreipkitės į EGO techninės priežiūros centrą. ■ Priveržkite peilio varžtus. Norėdami priveržti, veržliarakčiu sukite varžtus pagal laikrodžio rodyklę.

LT

GARANTIJA

„EGO“ GARANTINIS POLISAS

Norėdami sužinoti visas „EGO“ garantinio poliso sąlygas, apsilankykite interneto svetainėje egopowerplus.eu.

IZLASIET VISUS NORĀDĪJUMUS!



IZLASIET LIETOTĀJA ROKASGRĀMATU

⚠ BRĪDINĀJUMS. Lai nodrošinātu drošu un uzticamu darbību, visi labošanas un daļu nomainīšanas darbi jāveic kvalificētam servisa tehniķim.

DROŠĪBAS SIMBOLI

Drošības simboli ir paredzēti, lai pievērstu jūsu uzmanību iespējamiem apdraudējumiem. Veltiet šiem drošības simboliem un to pasākdrojumiem pietiekamu uzmanību un izpratni. Brīdinājuma simboli paši par sevi nenovērš nekādus apdraudējumus.

Tajos ietvertie norādījumu un brīdinājumi neaizstāj atbilstošu negadījumu novēršanas pasākumu īstenošanu.

⚠ BRĪDINĀJUMS. Pirms šī instrumenta lietošanas izlasiet un izprotiet visus šajā lietotāja rokasgrāmatā ietvertos drošības norādījumus, tostarp visus drošības brīdinājuma simbolus, piemēram, „**BRIESMAS**”, „**BRĪDINĀJUMS**” un „**UZMANĪBU**”. Turpmāk uzskaitīto drošības norādījumu neievērošana var izraisīt elektriskā strāvas trieciena risku, ugunsgrēku un/vai nopietnus ievainojumus.

SIMBOLA NOZĪME

DROŠĪBAS BRĪDINĀJUMA SIMBOLS Norāda uz **BRIESMĀM, BRĪDINĀJUMU** vai aspektiem, kam jāpievērš **UZMANĪBA**. Var tikt izmantots kopā ar citiem simboliem vai piktogrammām.

LV

⚠ BRĪDINĀJUMS. Jebkura elektroinstrumenta lietošanas laikā iespējamas situācijas, kur svešķermeņi var tikt sviesti jums acīs, kā rezultātā varat gūt nopietnas acu traumas. Pirms elektroinstrumenta ieslēgšanas vienmēr uzvelciet aizsargbrilles vai aizsargbrilles ar sānu aizsargiem un, ja nepieciešams, pilnu sejas aizsargmasku. Mēs iesakām „Wide Vision” aizsargmasku lietošanai pār brillēm vai standarta aizsargbrillēm ar sānu aizsargiem.

DROŠĪBAS NORĀDĪJUMI

Šajā lapaspusē ir parādīti un aprakstīti drošības simboli, kuri var parādīties uz šī izstrādājuma. Pirms iekārtas montāžas un lietošanas izlasiet, izprotiet un ievērojiet visus uz iekārtas dotos norādījumus.

	Drošības brīdinājums	Norāda uz iespējamu ievainojumu gūšanas risku.
	Izlasiet lietotāja rokasgrāmatu	Lai samazinātu ievainojumu gūšanas risku, lietotājam jāizlasa lietotāja rokasgrāmata.
	Nenovietojiet rokas un kājas griešanas instrumenta tuvumā	Nekad nedarbiniet elektroninstrumentu tikai ar vienu roku! Zaudējot kontroli pār elektroinstrumentu, iespējams gūt smagas vai nāvējošas traumas. Lai mazinātu traumu risku, ko varētu izraisīt griešanas instruments, novietojiet tā tuvumā rokas un kājas. Nekādā gadījumā nemēģiniet pievienot kustīgu griešanas instrumentu ar roku vai kādu citu ķermeņa daļu
	Izmantojiet acu aizsarg-glīdzekļus	Lietojot šo izstrādājumu, vienmēr izmantojiet aizsargbrilles vai aizsargbrilles ar sānu aizsargiem un pilnu sejas aizsargu.
	Troksnis	Garantētais skaņas intensitātes līmenis. Trokšņa emisija vidē atbilstoši Eiropas Kopienas direktīvai.
	CE	Šis izstrādājums atbilst piemērojamām EK direktīvām.
	UKCA	Šis produkts atbilst spēkā esošajiem Apvienotās Karalistes tiesību aktiem.
	EEIA	Elektrisko izstrādājumu atkritumus nedrīkst izmest kopā ar sadzīves atkritumiem. Nogādāt uz pilnvarotu pārstrādes punktu.
	Asmens garums	Asmens garums
	Griešanas kapacitāte	Asmens maks. griešanas kapacitāte
	IP apzīmējums	Aizsardzība pret ūdens strūkļām
	Volti	Spriegums
	Līdzstrāva	Strāvas veids vai raksturojums

.../min	Minūtē	Apgrīzieni minūtē
mm	milimetrs	Garums vai izmērs
cm	centimetrs	Garums vai izmērs
n _o	Ātrums brīvgaitā	Rotācijas ātrums

VISPĀRĒJIE ELEKTROINSTRUMENTA DROŠĪBAS BRĪDINĀJUMI

⚠ BRĪDINĀJUMS. Izlasiet visus ar šo elektroinstrumentu saistītos drošības brīdinājumus, norādījumus, specifikācijas un aplūkojiet attēlus. Visu turpmāk uzskaitīto norādījumu neievērošana var izraisīt elektriskās strāvas triecienu, ugunsgrēku un/vai nopietnas traumas.

Saglabājiet visus brīdinājumus un norādījumus, lai tos arī turpmāk varētu lietot.

Brīdinājumus lietotais termins „elektroinstruments” apzīmē šo no elektrotīkla darbināmo (ar elektrokabeli) vai ar akumulatoru darbināmo (bez elektrokabeļa) elektroinstrumentu.

DROŠĪBA DARBA VIETĀ

- **Uzturiet darba vietu tīru un labi apgaismotu.** Nekārtīgās un tumšās darba vietās ir lielāks negadījumu risks.
- **Nedarbiniet elektroinstrumentu sprādzienbīstamā vidē, piemēram, viegli uzliesmojošu šķidrums, gāzu vai putekļu klātbūtnē.** Elektroinstrumenti rada dzirksteles, kas var aizdedzināt putekļus vai izgarojumu tvaikus.
- **Elektroinstrumenta darbināšanas laikā tā tuvumā nedrīkst atrasties bērni un citas nepiederošas personas.** Novērsot uzmanību, varat zaudēt kontroli pār instrumentu.

ELEKTRODROŠĪBA

- **Elektroinstrumentu kontaktdakšām jāatbilst kontaktlīdzdai.** Nekad nekādā veidā nepārveidojiet kontaktdakšu. Neizmantojiet adaptera kontaktdakšas kopā ar iezemētiem elektroinstrumentiem. Lietojot nepārveidotas kontaktdakšas un atbilstošas kontaktlīdzdas tiek samazināts elektriskās strāvas trieciena risks.
- **Neļaujiet nevienai ķermeņa daļai saskarties ar iezemētām virsmām, piemēram, caurulēm, radiatoriem, sildītājiem un kondensatoriem.** Elektriskās strāvas trieciena risks palielinās, ja jūsu ķermenis ir iezemēts.
- **Sargājiet elektroinstrumentus no lietus vai mitruma.** Ūdens iekļūšana elektroinstrumentā palielina elektriskās strāvas trieciena risku.

- **Nebojājiet strāvas vadu akumulatora blokā.** Nekad nelietojiet strāvas vadu elektroinstrumenta pārmēsāšanai vai vilkšanai aiz tā un neraujiet to, lai atvienotu elektroinstrumentu no kontaktlīdzdas. **Sargājiet strāvas vadu no karstuma, eļļas, asām malām vai kustīgām daļām.** Bojāti vai samudzīnāti strāvas vadi palielina risku saņemt elektriskās strāvas triecienu.
- **Darbinot elektroinstrumentu ārpus telpām, izmantojiet pagarinātāju, kas piemērots lietošanai ārpus telpām.** Izmantojot vadu, kas ir paredzēts lietošanai ārpus telpām, tiek samazināts elektriskās strāvas trieciena risks.
- **Ja nav iespējams izvairīties no elektroinstrumenta darbināšanas mitrā vietā, izmantojiet barošanas sistēmu, kas aizsargāta ar noplūdes strāvas aizsardzības ierīcēm (RCD).** Noplūdes strāvas aizsardzības ierīču izmantošana samazina elektriskās strāvas trieciena risku.

PERSONISKĀ DROŠĪBA

- **Darbinot elektroinstrumentu, esiet modri, sekojiet līdži savām darbībām un izmantojiet veselo saprātu.** Nelietojiet elektroinstrumentu, ja esat noguruši vai atrodaties narkotiku, alkohola vai medikamentu ietekmē. Ja elektroinstrumenta darbināšanas laikā kaut uz mirkli zaudēsiet uzmanību, varat gūt nopietnus ievainojumus.
- **Lietojiet individuālo aizsargaprīkojumu. Vienmēr lietojiet aizsargbrilles.** Tāda aizsargaprīkojuma kā, piemēram, putekļu maskas, neslīdošu aizsargapavu, cietas aizsargcepures vai dzirdes aizsardzības līdzekļu, lietošana var samazināt ievainojumu gūšanas risku.
- **Novērsiet nejaūšas ieslēgšanas iespējamību.** Pirms instrumenta pievienošanas strāvas avotam un/vai akumulatoram pārlicinieties, ka slēdzis atrodas izslēgtā stāvoklī. Elektroinstrumentu pārvietošana, turot pirkstu uz slēdža, vai strāvas padeve elektroinstrumentiem, kuru slēdzis atrodas ieslēgtā stāvoklī, palielina negadījumu risku.
- **Pirms elektroinstrumenta ieslēgšanas noņemiet visas regulēšanas atslēgas vai uzgriežņatslēgas.** Uzgriežņatslēga vai atslēga, kas palikusi piestiprināta pie elektroinstrumenta rotējošās daļas, var radīt ievainojumus.
- **Nestiepieties pārāk tālu.** Vienmēr saglabājiet pareizu stāju un līdzsvaru. Tādējādi nodrošināsiet labāku kontroli pār elektroinstrumentu negaidītās situācijās.
- **Valkājiet atbilstošu apģērbu. Nevalkājiet vaļīgu apģērbu vai rotaslietas.** Sargājiet matus, apģērbu un cimdus no kustīgajām daļām. Vaļīgs apģērbs, rotaslietas vai gari mati var iekerties ierīces kustīgajās daļās.

- Ja ierīces ir paredzētas savienošanai ar putekļu nosūkšanas un savākšanas ierīcēm, pārliecinieties, vai tās ir pieslēgtas un tiek izmantotas pareizi. Putekļu savākšanas ierīču izmantošana var samazināt ar putekļiem saistītos apdraudējumus.
- Nepieļaujiet, ka šī izstrādājuma bieža lietošana varētu izraisīt nevērigu attieksmi darbā ar to, un neignorējiet ar izstrādājuma lietošanu saistītos drošības principus. Viens brīdis neuzmanības var izraisīt nopietnas traumas.

ELEKTROINSTRUMENTA LIETOŠANA UN APKOPE

- **Nepārslogojiet elektroinstrumentu.**
Lietojiet attiecīgajam darbam piemērotāko elektroinstrumentu. Piemērots elektroinstrumentis labāk un drošāk spēs izpildīt veicamo darbu, darbojoties tam paredzētajā ātrumā.
- **Nelietojiet elektroinstrumentu, ja nedarbojas tā ieslēgšanas/izslēgšanas slēdzis.** Jebkurš elektroinstrumentis, kura ieslēgšanas/izslēgšanas slēdzis nedarbojas, ir bīstams, un to nepieciešams labot.
- **Pirms jebkādu pielāgojumu veikšanas, piederumu maiņas vai elektroinstrumenta novietošanas glabāšanā atvienojiet kontaktdakšu no barošanas avota un/vai izņemiet no elektroinstrumenta akumulatora bloku, ja to var izdarīt.** Šādi piesardzības pasākumi palīdzēs novērst nejausu elektroinstrumenta ieslēgšanu.
- **Glabājiet izslēgtus elektroinstrumentus bērniem nepieejamā vietā un neļaujiet personām, kuras nepazīna elektroinstrumenta funkcijas un nav iepazinušās ar šiem norādījumiem, tos lietot.** Elektroinstrumenti ir bīstami, ja ar tiem darbojas neapmācīti lietotāji.
- **Veiciet elektroinstrumentam un piederumiem apkopi.** Pārbaudiet, vai ir pareizi uzstādītas kustīgās daļas un vai tās neķeras, un vai elektroinstrumenta daļām nav bojājumu, kas var negatīvi ietekmēt tā darbību. Bojāts elektroinstrumentis ir jāsalabo pirms nākamās lietošanas reizes. Daudzu negadījumu cēlonis ir sliktā stāvoklī esošu elektroinstrumentu izmantošana.
- **Uzturiet griezējinstrumentus asus un tīrus.** Pareizi apkopti griezējinstrumenti ar asām griezējmalām retāk saķeras un ir vieglāk kontrolējami.
- **Lietojiet elektroinstrumentu, tā piederumus un griežņus, kā arī citus saistītos elementus atbilstoši šiem norādījumiem, ņemot vērā darba apstākļus un veicamo uzdevumu.** Elektroinstrumenta lietošana neparedzētiem mērķiem var radīt bīstamas situācijas.

- **Rokturiem un satveršanas daļām jābūt sausiem, tīriem un uz tiem nedrīkst būt eļļa vai smērviela.** Ja rokturi un satveršanas daļas ir mitras, tās slīdēs, un ar instrumentu vairs nebūs droši strādāt, kā arī apvaldiņi neparedzētu apstākļu gadījumos.

AKUMULATORA LIETOŠANA UN APKOPE

- **Uzlādēšanai izmantojiet tikai ražotāja norādīto uzlādes ierīci.** Uzlādes ierīce, kas ir piemērota viena veida akumulatoriem, var radīt ugunsgrēka risku, ja tas tiek izmantota kopā ar citu akumulatoru.
- **Elektroinstrumentos ievietojiet tikai īpaši paredzētos akumulatorus.** Jebkura cita akumulatora izmantošana var radīt ievainojumu gūšanas un ugunsgrēka risku.
- **Kamēr akumulators netiek izmantots, glabājiet to tā, lai tas nonenāktu saskarē ar citiem metāla objektiem, piemēram, papīra saspaudzēm, monētām, atslēgām, naglām, skrūvēm vai citiem maziem objektiem, kas var radīt savienojumu starp spailēm.** Īssavienojuma radīšana starp akumulatora spailēm var izraisīt apdegumus vai ugunsgrēku.
- **Neatbilstošos apstākļos no akumulatora var izšļākties šķidrums, izvairieties no saskares ar to.** Ja tomēr nejausi nonākat ar to saskarē, atbilstošu vietu nekavējoties noskalojiet ar ūdeni. Ja šis šķidrums nonāk saskarē ar acīm, vērsieties pie ārsta. Šķidrums, kas izšļācas no akumulatora, var radīt iekaisumu vai apdegumus.
- **Izpildiet visas uzlādēšanas instrukcijas un neuzlādējiet akumulatora bloku vai instrumentu ārpus instrukcijās norādītajām temperatūras vērtībām.** Ja instruments tiek uzlādēts nepareizi vai tiek pārsniegtas instrukcijās norādītās uzlādēšanas temperatūras vērtības, akumulators var sabojāties un palielināt aizdegšanās risku.
- **Nelietojiet bojātu vai pārveidotu akumulatora bloku vai instrumentu.** Bojātu vai pārveidotu akumulatoru darbībā var rasties neparedzami apstākļi, kas rada aizdegšanās, sprādziena vai traumas gūšanas draudus.
- **Nepakļaujiet akumulatora bloku vai instrumentu uguns liesmu vai pārmērīgas temperatūras iedarbībai.** Uguns liesmu iedarbība vai temperatūra virs 100 °C var izraisīt sprādzienu.

SERVISIS

- **Jūsu elektroinstrumentam apkopes un uzturēšanas darbus drīkst veikt tikai kvalificēts mehāniķis, izmantojot tikai identiskas maiņas daļas.** Tādējādi tiek nodrošināta elektroinstrumenta drošas darbības saglabāšana.

- **Nekad neveiciet bojātam akumulatora blokam remontdarbus pašrocīgi.** Bojāta akumulatora bloka remontdarbus drīkst veikt tikai ražotājs vai pilnvaroti servisa darbinieki.
- **DZĪVŽOGU TRIMMERA DROŠĪBAS BRĪDINĀJUMI**
- **Neļaujiet nevienai ķermeņa daļai nonākt saskarē ar griešanas asmeni. Kamēr asmeņi kustās, nenoveiciet apgriezto materiālu vai neturiet materiālu, kuru grasāties apgriezt.** Pirms iestrēgušu materiālu izņemšanas pārliecinieties, ka ieslēgšanas/izslēgšanas slēdzis atrodas izslēgtā stāvoklī. Ja dzīvžogu trimmera darbināšanas laikā kaut uz mirkli zaudēsiet uzmanību, varat gūt nopietnus ievainojumus.
- **Pārnēsājiet dzīvžogu trimmeri aiz tā roktura, griešanas asmenim esot izslēgtam.** Pirms dzīvžogu trimmera pārvadāšanas vai novietošanas glabāšanā vienmēr uzstādiat griešanas ierīces pārsegu. Pareiza dzīvžogu trimmera apkopšana samazina iespējamo ievainojumu risku, ko varat gūt no griešanas asmeņiem.
- **Turiet elektroinstrumentu tikai pie izolētajām satveršanas virsmām, jo griešanas asmens var saskarties ar apslēptiem vadiem.** Ja griešanas asmens pārgriež „dzīvu” vadu, elektroinstrumenta atklātās metāla daļas „atdzīvojas” un operators var saņemt elektriskās strāvas triecienu.
- **Uzmanieties, lai strāvas vads nenonāktu zaģēšanas zonā.** Darba laikā strāvas vads var nemanāmi savīties krūmos, kur to var nejauši pārgriezt ar griezējasmēni.
- Pirms darba pārbaudiet, vai dzīvžogā neslēpjas svešķermeņi, piemēram, drāšu žogs.
- Izmantojiet dzīvžogu trimmeri tikai ar pareizi uzstādītu aizsargu. Dzīvžogu trimmera izmantošana bez atbilstoša aizsarga var radīt nopietnus ievainojumus!
- Darbiniet dzīvžogu trimmeri ar abām rokām. Darbināšana ar vienu roku var radīt kontroles zudumu, tādējādi izraisot nopietnus ievainojumus.

SVARĪGI DROŠĪBAS NORĀDĪJUMI

- Neuzlādējiet akumulatoru lietū vai mitrās vietās.
- Izņemiet akumulatora bloku no instrumenta pirms atbrīvojaties no tā.
- Paceļot vai turot dzīvžogu trimmeri, nesatveriet tā atklātos griešanas asmeņus vai griezējmalas.
- Nedarbiniet to, kamēr atrodaties uz kāpnēm, jumta, kokā vai uz citām nestabilām pamatnēm. Stabila stāja uz stingras pamatnes ļauj labāk kontrolēt dzīvžogu trimmeri negaidītās situācijās.
- Nekad neļaujiet bērniem darbināt dzīvžogu trimmeri.

- Nekad nenoveiciet drošības ierīces un neiejaucieties to darbībā. Regulāri pārbaudiet, vai tās atbilstoši darbojas. Nekad neveiciet darbības, kas ietver drošības ierīču paredzētās funkcijas vai samazina to sniegto aizsardzību.
- Regulāros intervālos pārbaudiet, vai asmens un dzinēja uzstādīšanas bultskrūves nav kļuvušas vaļīgas. Tāpat vizuāli pārbaudiet, vai asmens nav bojāts (piemēram, saliekts, iekļāvis vai nodilis). Nomainiet asmeni tikai pret EGO™ asmeni.
- Nomainiet asmeni, ja tas ir saliekts vai iekļāvis. Nelīdzsvarots asmens var radīt vibrācijas, kas var izraisīt dzinēja piedziņas mehānisma bojājumus vai ievainojumus.
- Ja instruments sāk neierasti vibrēt, apturiet motoru un nekavējoties noskaidrojiet cēloni.
- Trimmeris ir paredzēts zaru apgriešanai, kuri nav biezāki par (33 mm).
- Nemozāģējiet trimmeri ar šūteni, sargājiet no ūdens iekļūšanas dzinējā un elektriskajos savienojumos.
- Ievērojiet eļļošanas un piederumu maiņas norādījumus.
- Nodrošiniet, ka rokturi ir sausi, tīri un uz tiem nav eļļas vai tauku.
- Saglabājiet šos norādījumus. Regulāri pārļasiet tos un izmantojiet tos, lai instruētu citas personas, kuras izmantos šo instrumentu. Ja aizdotat šo instrumentu kādam citam, lūdziet dot arī šos norādījumus, lai palīdzētu novērst izstrādājuma neatbilstošu izmantošanu un iespējamus ievainojumus.

SAGLABĀJIET ŠOS NORĀDĪJUMUS!

SPECIFIKĀCIJAS

Spriegums	56 V ---	56 V ---	
Asmens griešanās ātrums	1800 /min	1800 /min	
Asmens garums	65 cm	75 cm	
Griešanas kapacitāte	31 mm	31 mm	
Instrumenta svars	4,1 kg	4,2 kg	
Ieteicamā darba temperatūra	0°C-40°C	0°C-40°C	
Ieteicamā uzglabāšanas temperatūra	-20°C-70°C	-20°C-70°C	
Izmērītais trokšņa jaudas līmenis L_{WA}	90,1 dB(A) K=2,9 dB(A)	95,4 dB(A) K=1,52 dB(A)	
Skaņas spiediena līmenis pie operatora auss L_{PA}	80,1 dB(A) K=3 dB(A)	83,9 dB(A) K=2,5 dB(A)	
Garantētais skaņas intensitātes līmenis L_{WA} (saskaņā ar 2000/14/EK)	93 dB(A)	97 dB(A)	
Vibrācijas a_h	Aizmugurējais rokturis	3,2 m/s ² K=1,5 m/s ²	2,872 m/s ² K=1,5 m/s ²
	Priekšējais rokturis	3,9 m/s ² K=1,5 m/s ²	3,536 m/s ² K=1,5 m/s ²

- Norādītā vibrāciju kopējā vērtība ir izmērīta saskaņā ar standarta pārbaudes metodi un var tikt izmantota, lai salīdzinātu vairākus instrumentus.
- Norādītā vibrāciju kopējā vērtība var arī tikt izmantot ietekmes sākotnējai novērtēšanai.

PIEZĪME. Vibrāciju emisijas patiesajā elektroinstrumenta darbības laikā var atšķirties no norādītās vērtības. Lai pasargātu operatoru, lietotājam jāvalkā cimdi un dzirdes aizsarglīdzekļi atbilstoši patiesajiem darba apstākļiem.

KOMPLEKTĀCIJA

Daļas nosaukums	Skaits
Dzīvžogu trimmers	1
Asmens aizsargs	1
Lietotāja rokasgrāmata	1

APRAKSTS

PĀRZINIET SAVU DZĪVŽOGU TRIMMERI (A att.)

1. Gala aizsargs
2. Asmens
3. Asmens aizsargs
4. Priekšējā slēdža svira
5. Priekšējais rokturis
6. Bloķēšanas/atbloķēšanas poga
7. Aizmugures slēdža svira
8. Aizmugurējais rokturis
9. „U” veida āķis
10. Kontaktligzda
11. Roku aizsargs
12. Aizsargs

▲ BRĪDINĀJUMS! Šis produkts tika piegādāts pilnībā samontēts. Dzīvžoga trimmera lietošanas laikā roku aizsargu nekādā gadījumā nedrīkst noņemt. Ja aizsargs ir bojāts, kvalificētam servisa tehnikim nekavējoties jāveic tā nomaiņa.

▲ BRĪDINĀJUMS. Lai droši izmantotu šo izstrādājumu, nepieciešama izpratne par informāciju, kas norādīta uz instrumenta un šajā lietotāja rokasgrāmatā, kā arī zināšanas par darbu, ko vēlaties paveikt. Pirms šī izstrādājuma lietošanas iepazīstieties ar visām raksturīgajām darba funkcijām no drošības noteikumiem.

LIETOŠANA

▲ BRĪDINĀJUMS. Neļaujiet, ka pieradums pie darba ar šo izstrādājumu, liek jums zaudēt uzmanību. Atcerieties, ka pat uzmanības novēršana uz sekundes daļu ir pietiekama, lai gūtu nopietnus ievainojumus.

▲ BRĪDINĀJUMS. Vienmēr valkājiet aizsargbrilles ar sānu aizsargiem, kā arī dzirdes aizsarglīdzekļus. Šo noteikumu neievērošana var novest pie tā, ka jums acīs trāpa kādi priekšmeti, vai citiem nopietniem ievainojumiem.

▲ BRĪDINĀJUMS. Lai novērstu nejašu ieslēgšanos, kas var radīt nopietnus ievainojumus, vienmēr pirms daļu uzstādīšanas, pārveidojumu veikšanas, tīrīšanas vai instrumenta nelietošanas laikā izņemiet no instrumenta akumulatoru.

▲ BRĪDINĀJUMS. Neizmantojiet nekādus papildinājumus vai piederumus, kurus neiesaka EGO™. Šādu neapstiprinātu papildinājumu vai piederumu lietošana var radīt nopietnus ievainojumus.

Pirms katras lietošanas reizes pārbaudiet visu izstrādājumu, vai tam nav bojātas, trūkstošas vai vaļīgas daļas, piemēram, skrūves, uzgriežņi, bultskrūves, vāciņu u.c. Droši pievelciet visus fiksatorus un vāciņus, kā arī neliejojiet šo izstrādājumu, kamēr visas trūkstošās vai bojātās daļas nav nomainītas.

Produktu var lietot lietus laikā.

AKUMULATORA IEVIETOŠANA/IZŅEMŠANA

Izmantojiet tikai A attēlā uzskaitītos akumulatora blokus un lādētājus.

Pirms pirmās lietošanas uzlādējiet akumulatoru ievietošana (B & C & D att.)

Iespraudiet kontaktdakšu dzīvžogu trimmera kontaktligzdā, līdz vairs nav redzama zaļā atzīme, un ievērojot uz kontaktdakšas un dzīvžogu trimmera norādīto savienošanas apzīmējumu ▲.

Ievietojiet akumulatora strāvas vadu „U” veida āķī.

Noņemšana (E att.)

Izņemiet akumulatora vadu no „U” veida āķa un izvelciet kontaktdakšu no dzīvžogu trimmera.

DZĪVŽOGU TRIMMERA IESLĒGŠANA/IZSLĒGŠANA

Pirms lietošanas noņemiet aizsargu un satveriet trimmeri ar abām rokām — ar vienu satveriet priekšējo rokturi, savukārt ar otru — aizmugurējo rokturi. Pēc tam ieņemiet stabili un pareizu stāju, un ievērojiet atbilstošu griešanas attālumu.

▲ BRĪDINĀJUMS. Vienmēr turiet abas rokas uz dzīvžogu trimmera rokturiem. Nekad neturiet zarus ar vienu roku un dzīvžogu trimmeri ar otru. Šī norādījuma neievērošana var radīt nopietnus ievainojumus.

▲ BRĪDINĀJUMS. Kad dzīvžogu trimmeris ir apturēts, ieslēdziet bloķēšanas/atbloķēšanas pogu pozīcijā „OFF” (IZSLĒGTS) un tikai tad izņemiet akumulatora bloku. Šī brīdinājuma neievērošana var izraisīt nopietnas traumas.

Ieslēgšana

Ieslēdziet bloķēšanas/atbloķēšanas pogu pozīcijā „ON” (IZSLĒGTS) (F att.) un pēc tam nospiediet aizmugurējo slēdža sviru. Kad tā nospiesta, pieturiet to un vienlaicīgi nospiediet priekšējās daļas slēdža sviru, tādējādi tiks iedarbināts instruments.

F attēla detaļu aprakstu skatīt zemāk:

F-1	Bloķēšanas/atbloķēšanas poga
F-2	Aizmugures slēdža svira

Apturēšana

Lai instrumentu apturētu, atlaidiet abas slēdža sviras un ieslēdziet bloķēšanas/atbloķēšanas pogu pozīcijā „OFF” (IZSLĒGTS), kas novērsīs nejašu iedarbināšanu.

PIEZĪME. Abām slēdža svirām jābūt nospiestām, lai dzīvžogu trimmeri varētu ieslēgt.

DZĪVŽOGU TRIMMERA TURĒŠANA

Raugiet, lai asmeņi nebūtu vērsti pret Jums, un turiet trimmeri ar abām rokām — ar vienu satverot priekšējo rokturi, savukārt ar otru — aizmugurējo. Dažādiem griešanas darbiem pieejami trīs turēšanas virzieni (G, H un I att.).

DZĪVŽOGU TRIMMERA IZMANTOŠANA

▲ BRĪDINĀJUMS. Ja asmens saķīlējas ar kādu elektrisko vadu vai līniju, **NEPIESKARIETIES ASMENIM! TAS VAR BŪT ELEKTRIZĒJIES UN KĻŪT ĻOTI BĪSTAMS.** Turpiniet turēt dzīvžogu trimmeri aiz izolētā aizmugurējā roktura vai drošā veidā nolieciet to uz zemes un projām no sevis. Pirms mēģināt atbrīvot asmeni no līnijas vai vada atvienojiet strāvas padevi bojātajai līnijai vai vadam. Šo noteikumu neievērošana var izraisīt nopietnus ievainojumus vai pat nāves iestāšanos.

▲ BRĪDINĀJUMS. Lai novērstu nopietnu ievainojumu gūšanu, turiet rokas projām no asmeņiem. Nemēģiniet izņemt apgriezto materiālu vai turēt apgriezamo materiālu, kamēr asmeņi kustās. Pirms iestrēguša materiāla izņemšanas no asmeņiem pārļiecinieties, ka asmeņi ir pilnībā apstājušies un akumulators ir izņemts. Paceļot vai turot instrumentu, nesatveriet atvērtos griešanas asmeņus vai griezējmalas.

▲ BRĪDINĀJUMS. Pirms darba sākšanas atīriet apgriežamo zonu. Noņemiet visus priekšmetus, piemēram, vadus, gaismas, stieples vai šņores, kas var iekerties griešanas asmenī un radīt smagu miesas bojājumu risku.

▲ BRĪDINĀJUMS. Necentieties vienā reizē apgriezt pārāk daudz vai apgriezt lielākus krūmājus. Tas var likt asmeņiem saķerties un darboties lēnāk, samazinot griešanas efektivitāti.

PIEZĪME. Jaunām audzēm piemērota griešana ar plašiem vēzieniem, kur zari nonāk tiešā saskarē ar griešanas asmeni. Vecākām audzēm zāgēšanas kustība ir piemērota biežāko zaru apgriešanai. Ieteicams lielākos zarus vispirms nozāģēt ar rokas zāģi vai krūmu zāģi.

Augšpusē apgriešana

Izmantojiet griešanu ar plašiem vēzieniem. Labākiem rezultātiem griešanas asmeņus sagāziet nedaudz uz leju kustības virzienā. Tāpat varat izmantot šņori, lai nodrošinātu vienmērīgu dzīvžoga līmeni, kā parādīts J attēlā.

Sānu apgriešana

Apgriežot dzīvzoga sānus, sāciet no apakšas un griežiet uz augšu, kā parādīts K attēlā.

Zāģēšanas funkcija

Gala aizsargu (att. L) izmanto, lai aizsargātu asmens ārējo malu.

Asmens aizsargs

Asmeņu ārējā daļa ir asmeņu aizsargu formā (att. M).

M att. detaļu aprakstu skatīt zemāk:

M-1	Asmens
M-2	Asmens aizsargs

⚠ BRĪDINĀJUMS! Vienmēr pārbaudiet, vai asmens aizsargs nav bojāts vai deformēts. Nomainiet aizsargu, ja tas ir saliekts vai bojāts.

APKOPE

⚠ BRĪDINĀJUMS. Veicot iekārtas apkopi, izmantojiet tikai identiskas rezerves daļas. Jebkuru citu daļu izmantošana var radīt apdraudējumu vai izstrādājuma bojājumus. Lai nodrošinātu drošu un uzticamu darbību, visi labošanas darbi jāveic kvalificētam servisa tehnikam.

⚠ BRĪDINĀJUMS. Lai novērstu nopietnu ievainojumu gūšanas risku, pirms iekārtas tīrīšanas vai apkopes darbu veikšanas izņemiet akumulatoru.

TĪRĪŠANA


■ Izmantojiet mīkstu suku, lai notīrītu gružus no visām gaisa ievades atverēm un griešanas asmens.

■ Lai notīrītu daru un citas lipīgas nogulsnes, apsmidziniet asmeni ar sveķu šķīdinātāju. Īsu brīdi padarbiniet dzinēju, lai šķīdinātājs tiek vienmērīgi uzklāts.

■ Noslaukiet virsmu ar sausu drānu.

⚠ BRĪDINĀJUMS. Plastmasa daļu tīrīšanai neizmantojiet šķīdinātājus. Lielākā daļa plastmasas daļu gūst bojājumus no dažāda veida komerciālajiem šķīdinātājiem. Izmantojiet tīras drānas, lai notīrītu netīrumus, putekļus, eļļu, taukus u.c.

GRIEZĒJASMENS ASINĀŠANA

1. Izņemiet no dzīvzogu apgriešanas mašīnas akumulatora bloku.
2. AHB6500S/AHB7500S Iespējāties asmens daļu skrūvspīlēš un noslīpējiet katra asmens zoba griezējvirsmu. Centieties novīlēt pēc iespējas mazāk materiāla. AHB6500/AHB7500 (Ar „” un

„RŪDĪTS” uz asmens virsmas): Iespējāties asmens daļu skrūvspīlēš un uzasiniet griezējvirsmu ar dimanta vīli vai zema ātruma slīpmašīnu (apgriezienu skaits < 2500 min⁻¹, padeves ātrums < 60 mm/min., acu skaits > 100). Centieties novīlēt pēc iespējas mazāk materiāla.

3. Izņemiet dzīvzogu apgriešanas mašīnu no skrūvspīlēš un noregulējiet neuzasināto asmens daļu otrā pusē.

Šādā pašā veidā uzasiniet arī visus pārējos asmens zobus.

PIEZĪME. Neizmantojiet dzīvzogu apgriešanas mašīnu ar neasu vai bojātu asmeni Pretējā gadījumā mašīnai tiks izraisīta pārslodze, un griešanas rezultāti nebūs apmierinoši.

PIEZĪME! Speciālā AHB6500/AHB7500 asmens uzasināšanai parastā metāla vīle nav piemērota.

PIEZĪME! Ja griezējasmens uzasināšanai izmantojat zema ātruma slīpmašīnu (apgriezienu skaits < 2500 min⁻¹), slīpēšanas laikā asmens zobi ir nepārtraukti jāslāpina ar ūdeni.

DZĪVZOGU APGRIEŠANAS MAŠĪNAS EĻĻOŠANA

⚠ BRĪDINĀJUMS! Neēļļojiet dzīvzogu apgriešanas mašīnu, kamēr tā ir savienota ar akumulatoru vai darbojas.

ASMENS EĻĻOŠANA

Lai asmens kalpotu labāk un ilgāk, eļļojiet dzīvzogu apgriešanas mašīnas asmeni katru reizi pirms un pēc lietošanas, izmantojot vieglu mašīneļļu.

Izņemiet akumulatora bloku un nolieciet apgriešanas mašīnu uz līdzēnas virsmas. Uzklājiet eļļu uz augšējā asmens malas (N. att.).

PĀRNESUMKĀRBAS EĻĻOŠANA

Lai dzīvzogu apgriešanas mašīnas pārnēssumkārbā kalpotu labāk un ilgāk, eļļojiet to ik pēc 50 ekspluatācijas stundām, izmantojot speciālu smērvielu (katrā reizē apmēram 5-6g ar #1 un 10-12g ar #2).

Speciālajai smērvielai ir jāatbilst turpmāk norādītajām prasībām.

1. Atbilstība DIN51818: konusa iespiešanās pakāpe NLGI-2.
2. Sastāvs: poliurea biezinātāji + sintētiskās smērēļļas.
3. Teicama iedarbināšana arī zemā temperatūrā, EP, mehāniskā griešana, izturība pret nodilumu un oksidatīvās stabilitātes īpašības.
4. Darba temperatūrai jābūt robežās no -40-180°C.

Izņemiet akumulatora barošanas spraudni un abas blīvskrūves (O. att.). Pārnesumkārbu eļļo caur eļļošanas caurumu.

UZMANĪBU! Neuzpildiet pārnesumkārbu ar smērvielu līdz galam.

TRANSPORTĒŠANA UN UZGLABĀŠANA

- Vienmēr pirms dzīvzogu trimmera novietošanas glabāšanā vai transportēšanas uzlieciet asmenim aizsargu. Rīkojieties uzmanīgi, lai izvairītos no asajiem asmens zobiem.
- Pirms novietošanas glabāšanā rūpīgi notīriet dzīvzogu trimmeri.
- Uzglabājiet dzīvzogu trimmeri iekštelpās, sausā un bērniem nepieejamā vietā.
- Sargājiet no kodīgām vielām, piemēram, dārzā lietojamajām ķīmikālijām un atledošanas sāls.

⚠ BRĪDINĀJUMS. Asmeņi ir asi. Darbojoties ap asmeņu sistēmu, valkājiet neslīdošus augstākās aizsardzības pakāpes aizsargcimdus. Nenovietojiet savas rokas vai pirkstus starp asmeņiem vai jebkurā citā pozīcijā, kur tie var tikt sadurti vai sagriezti. NEKAD nepieskarieties asmeņiem vai neveiciet iekārtas apkopi, kamēr nav izņemts akumulators.

Apkārtējās vides aizsardzība



Neutilizējiet elektrisko aprīkojumu, izlietoto akumulatoru un lādētāju sadzīves atkritumos! Nogādājiet šo produktu uz pilnvarotu pārstrādes punktu un sagatavojiet atkritumu šķirošanai. Elektriskos instrumentus jānogādā videi nekaitīgā pārstrādes rūpnīcā.

KĻŪDU NOVĒRŠANA

PROBLĒMA	CĒĻONIS	RISINĀJUMS
Dzīvzogu trimmers nedarbojas.	<ul style="list-style-type: none"> ■ Akumulatora bloks nav savienots ar dzīvzogu trimmeri vai arī starp dzīvzogu trimmeri un akumulatoru nav elektriskā kontakta. ■ Akumulators ir izlādējies. ■ Pirms nospiedāt slēdža sviru, bloķēšanas poga nav bijusi ieslēgta pozīcijā „ON” (IESLĒGTS). ■ Akumulatora bloks vai dzīvzogu trimmeris ir pārkaris. ■ Asmens ir saķīlējis. ■ Dzīvzogu trimmeris ir pārslogots. 	<ul style="list-style-type: none"> ■ Ievietojiet dzīvzogu trimmerī akumulatora kontaktdakšu. ■ Uzlādējiet akumulatora bloku tikai ar tam paredzēto lādētāju. ■ Pirms trimmera lietošanas pārbaudiet, vai ir atbloķēta bloķēšanas poga. ■ Ļaujiet akumulatora blokam vai dzīvzogu trimmerim atdzist līdz normālai temperatūrai. ■ Izņemiet no instrumenta akumulatora bloku. Uzmanīgi izņemiet priekšmetu, kas radīja aizsprostojumu, pēc tam ievietojiet akumulatora bloku atpakaļ un vēlreiz ieslēdziet instrumentu. ■ Samaziniet instrumentam slodzi.
Pārmērīgas vibrācijas vai trokšņi.	<ul style="list-style-type: none"> ■ Sausi vai sarūsējuši asmeņi. ■ Asmeņi vai asmens atbalsts ir saliekts. ■ Saliekti vai bojāti zobi. ■ Atskrūvējiet asmens bultskrūves. 	<ul style="list-style-type: none"> ■ Ieļļojiet asmeņus. ■ Nomainiet pret jaunu asmeni vai atbalstu. Sazinieties ar EGO servisa centru, lai nomainītu asmeni vai atbalstu. ■ Nomainiet pret jaunu asmeni. Sazinieties ar EGO servisa centru, lai nomainītu asmeni. ■ Pievelciet asmens bultskrūves. Lai pievilktu bultskrūvi, ar uzgriežņu atslēgu pagrieziet bultskrūvi pulksteņa rādītāju kustības virzienā.

LV

GARANTĪJA

EGO GARANTĪJAS POLITIKA

Lūdzu apmeklējiet tīmekļa vietni egopowerplus.eu, lai iepazītos ar pilniem EGO garantijas politikas noteikumiem.

ΔΙΑΒΑΣΤΕ ΟΛΕΣ ΤΙΣ ΟΔΗΓΙΕΣ!



ΔΙΑΒΑΣΤΕ ΤΟ ΕΓΧΕΙΡΙΔΙΟ ΧΡΗΣΗΣ

⚠ ΠΡΟΕΙΔΟΠΟΙΗΣΗ: Για να διασφαλίσετε την ασφάλεια και την αξιοπιστία, όλες οι επισκευές πρέπει να διεξάγονται από εξειδικευμένο τεχνικό του σέρβις.

ΣΥΜΒΟΛΑ ΑΣΦΑΛΕΙΑΣ

Ο σκοπός των συμβόλων ασφαλείας είναι να σας τραβήξουν την προσοχή για ενδεχομένους κινδύνους. Προσέξτε και κατανοήστε τα σύμβολα ασφαλείας και τις εξηγήσεις που τα συνοδεύουν. Οι προειδοποιήσεις συμβόλων από μόνες τους δεν εξαλείφουν κανέναν κίνδυνο. Οι οδηγίες και οι προειδοποιήσεις που παρέχουν δεν υποκαθιστούν τα μέτρα σωστής πρόληψης ατυχημάτων.

Οι οδηγίες και οι προειδοποιήσεις που παρέχουν δεν υποκαθιστούν τα μέτρα σωστής πρόληψης ατυχημάτων.

⚠ ΠΡΟΕΙΔΟΠΟΙΗΣΗ: Βεβαιωθείτε ότι έχετε διαβάσει και κατανοήσει όλες τις οδηγίες ασφαλείας στο παρόν Εγχειρίδιο χειριστή, συμπεριλαμβανομένων όλων των συμβόλων ασφαλείας όπως «**ΚΙΝΔΥΝΟΣ**», «**ΠΡΟΕΙΔΟΠΟΙΗΣΗ**» και «**ΠΡΟΣΟΧΗ**», προτού χρησιμοποιήσετε αυτό το εργαλείο. Η μη τήρηση όλων των παρακάτω οδηγιών μπορεί να οδηγήσει σε ηλεκτροπληξία, πυρκαγιά ή/και σοβαρό ατομικό τραυματισμό.

ΣΗΜΑΣΙΑ ΣΥΜΒΟΛΩΝ

ΣΥΜΒΟΛΟ ΕΙΔΟΠΟΙΗΣΗΣ ΑΣΦΑΛΕΙΑΣ: Υποδηλώνει **ΚΙΝΔΥΝΟ**, **ΠΡΟΕΙΔΟΠΟΙΗΣΗ** ή **ΠΡΟΣΟΧΗ**. Μπορεί να χρησιμοποιείται σε συνδυασμό με άλλα σύμβολα ή εικονογράμματα.


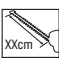
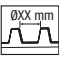

⚠ ΠΡΟΕΙΔΟΠΟΙΗΣΗ: Η λειτουργία ηλεκτρικών εργαλείων μπορεί να επιφέρει εκτόξευση ξένων αντικειμένων στα μάτια σας, με αποτέλεσμα σοβαρή βλάβη σε αυτά. Προτού ξεκινήσετε τη λειτουργία του ηλεκτρικού εργαλείου φοράτε πάντα προστατευτικά γυαλιά ή γυαλιά με πλευρική προστασία και εφόσον απαιτείται πλήρη προστατευτική προσωπίδα. Συστήνουμε μια προσωπίδα ασφαλείας ευρείας όρασης για χρήση πάνω από γυαλιά ή συνήθη προστατευτικά γυαλιά με πλευρική προστασία.

ΟΔΗΓΙΕΣ ΑΣΦΑΛΕΙΑΣ

Αυτή η σελίδα απεικονίζει και περιγράφει τα σύμβολα ασφαλείας που υπάρχουν ενδεχομένως σε αυτό το προϊόν. Διαβάστε, κατανοήστε και ακολουθείτε όλες τις οδηγίες στη μηχανή προτού προσπαθήσετε να διεξάγετε εργασίες συναρμολόγησης και λειτουργίας.

	Ειδοποίηση ασφαλείας	Υποδηλώνει ενδεχόμενο κίνδυνο ατομικού τραυματισμού.
	Διαβάστε το εγχειρίδιο χρήσης	Προκειμένου να μειωθεί ο κίνδυνος τραυματισμού, ο χρήστης πρέπει να διαβάσει το εγχειρίδιο χρήσης.
	Διατηρείτε τα χέρια και τα πόδια πάντα μακριά από το εργαλείο κοπής	Ποτέ μην προσπαθείτε να χειρίζεστε το ηλεκτρικό εργαλείο με το ένα χέρι. Απώλεια του ελέγχου του ηλεκτρικού εργαλείου μπορεί να επιφέρει σοβαρό ή θανατηφόρο τραυματισμό. Για να μειώσετε τον κίνδυνο τραυματισμών κοπής διατηρείτε τα χέρια και τα πόδια μακριά από το εργαλείο κοπής. Ποτέ μην αγγίζετε ένα κινούμενο εργαλείο κοπής με το χέρι ή με οποιοδήποτε άλλο τμήμα του σώματός σας.
	Φοράτε προστατευτικά γυαλιά	Φοράτε πάντοτε προστατευτικά γυαλιά ή γυαλιά ασφαλείας με πλευρική προστασία και πλήρη προστατευτική προσωπίδα κατά τη λειτουργία αυτού του προϊόντος.
	Θόρυβος	Εγγυημένη στάθμη ηχητικής ισχύος. Εκπομπές θορύβου στο περιβάλλον σύμφωνα με την οδηγία της Ευρωπαϊκής Ένωσης.
	CE	Αυτό το προϊόν συμμορφώνεται με τις εφαρμοστές οδηγίες της ΕΚ.
	UKCA	Αυτό το προϊόν συμμορφώνεται με την ισχύουσα νομοθεσία του ΗΒ.

GR

	ΑΗΗΕ	Τα απόβλητα ηλεκτρικών προϊόντων δεν πρέπει να απορρίπτονται μαζί με τα οικιακά απορρίμματα. Παραδώστε τα σε εξουσιοδοτημένη μονάδα ανακύκλωσης.
	Μήκος λεπίδας	Το μήκος της λεπίδας
	Ικανότητα κοπής	Μέγ. ικανότητα κοπής της λεπίδας
IPX5	Σύμβολο IP	Προστατευόμενο από πίδακες νερού χαμηλής πίεσης από οποιαδήποτε κατεύθυνση
V	Volt	Τάση
	Συνεχές ρεύμα	Τύπος ή χαρακτηριστικό του ρεύματος
.../min	Ανά λεπτό	Στροφές ανά λεπτό
mm	Χιλιοστό	Μήκος ή μέγεθος
cm	Εκατοστό	Μήκος ή μέγεθος
n ₀	Ταχύτητα χωρίς φορτίο	Ταχύτητα περιστροφής, χωρίς φορτίο

ΓΕΝΙΚΕΣ ΠΡΟΕΙΔΟΠΟΙΗΣΕΙΣ ΑΣΦΑΛΕΙΑΣ ΓΙΑ ΤΑ ΗΛΕΚΤΡΙΚΑ ΕΡΓΑΛΕΙΑ

▲ ΠΡΟΕΙΔΟΠΟΙΗΣΗ: Μελετήστε όλες τις προειδοποιήσεις ασφάλειας, τις οδηγίες, τις εικόνες και τις προδιαγραφές που συνοδεύουν αυτό το ηλεκτρικό εργαλείο. Αν δεν τηρηθούν όλες οι οδηγίες που αναφέρονται παρακάτω, μπορεί να προκληθεί ηλεκτροπληξία, φωτιά και/ή σοβαρός τραυματισμός.

Φυλάσσετε όλες τις προειδοποιήσεις και τις οδηγίες για μελλοντική αναφορά

Ο όρος «ηλεκτρικό εργαλείο» στις προειδοποιήσεις αναφέρεται στο ηλεκτρικό σας εργαλείο που λειτουργεί είτε με σύνδεση στην πρίζα (με καλώδιο) είτε με μπαταρίες (χωρίς καλώδιο).

ΑΣΦΑΛΕΙΑ ΣΤΟ ΧΩΡΟ ΕΡΓΑΣΙΑΣ

- Διατηρείτε τον χώρο εργασίας καθαρό και καλά φωτισμένο. Οι ακατάστατοι χώροι ή οι χώροι με κακό φωτισμό ενισχύουν την πιθανότητα πρόκλησης ατυχημάτων.
- Μη χρησιμοποιείτε ηλεκτρικά εργαλεία σε περιβάλλον με εύφλεκτη ατμόσφαιρα, όπου

υπάρχουν εύφλεκτα υγρά, αέρια ή σκόνη. Τα ηλεκτρικά εργαλεία προκαλούν σπινθηρισμούς, οι οποίοι είναι πιθανό να αναφλέξουν τη σκόνη ή τις αναθυμιάσεις.

- Κρατάτε τα παιδιά και τους παρευρισκόμενους σε μακρινή απόσταση όταν λειτουργείτε το ηλεκτρικό εργαλείο. Η απόσταση της προσοχής σας μπορεί να σας κάνει να χάσετε τον έλεγχο του ηλεκτρικού εργαλείου.

ΗΛΕΚΤΡΙΚΗ ΑΣΦΑΛΕΙΑ

- Το φως του ηλεκτρικού εργαλείου πρέπει να ταιριάζει με την πρίζα. Μην τροποποιείτε ποτέ και με κανέναν τρόπο το φως. Μη χρησιμοποιείτε κανενός είδους βύσματα αναπτήρων με γειωμένα ηλεκτρικά εργαλεία. Τα μη τροποποιημένα φως και οι κατάλληλες πρίζες μειώνουν τον κίνδυνο ηλεκτροπληξίας.
- Αποφεύγετε την επαφή του σώματός σας με γειωμένες επιφάνειες, όπως σωλήνες, θερμαντικά σώματα, εστίες και ψυγεία. Υπάρχει αυξημένος κίνδυνος ηλεκτροπληξίας αν το σώμα σας γειωθεί.
- Μην εκθέτετε τα ηλεκτρικά εργαλεία σε βροχή ή συνθήκες υγρασίας. Αν εισχωρήσει νερό μέσα στο ηλεκτρικό εργαλείο θα αυξηθεί ο κίνδυνος ηλεκτροπληξίας.
- Μην κακομεταχειρίζεστε το καλώδιο της μπαταρίας. Μη χρησιμοποιείτε ποτέ το καλώδιο για να μεταφέρετε, να τραβήξετε ή να βγάλετε από την πρίζα το ηλεκτρικό εργαλείο. Κρατήστε το καλώδιο μακριά από θερμότητα, λάδια, αιχμηρές ακμές και κινούμενα εξαρτήματα. Τα κατεστραμμένα ή μπλεγμένα καλώδια αυξάνουν τον κίνδυνο ηλεκτροπληξίας.
- Όταν χρησιμοποιείτε κάποιο ηλεκτρικό εργαλείο σε εξωτερικό χώρο, χρησιμοποιείτε επέκταση καλωδίου κατάλληλη για εξωτερικούς χώρους. Η χρήση καλωδίου που ενδείκνυται για χρήση σε εξωτερικό χώρο μειώνει τον κίνδυνο ηλεκτροπληξίας.
- Αν η χρήση του ηλεκτρικού εργαλείου σε υγρό περιβάλλον είναι αναπόφευκτη, χρησιμοποιήστε στην τροφοδοσία έναν διακόπτη κυκλώματος βλάβης γείωσης. Η χρήση του διακόπτη GFCI μειώνει τον κίνδυνο ηλεκτροπληξίας.

ΠΡΟΣΩΠΙΚΗ ΑΣΦΑΛΕΙΑ

- Να είστε σε εγρήγορση, να έχετε την προσοχή σας σε αυτό που κάνετε και να χρησιμοποιείτε κοινή λογική κατά τη χρήση ενός ηλεκτρικού εργαλείου. Μη χρησιμοποιείτε ηλεκτρικά εργαλεία όταν είστε κουρασμένοι ή κάτω από την επήρεια ναρκωτικών, αλκοόλ ή φαρμάκων. Μια στιγμή απροσεξίας κατά τη χρήση του ηλεκτρικού εργαλείου μπορεί να οδηγήσει σε σοβαρό ατομικό τραυματισμό.
- Χρησιμοποιείτε ατομικό προστατευτικό εξοπλισμό. Φοράτε πάντα προστατευτικά γυαλιά. Ο

προστατευτικός εξοπλισμός, όπως μάσκα σκόνης, αντιλιοσθητικά παπούτσια, κράνος ή υποπροστασία που χρησιμοποιείται στις κατάλληλες περιπτώσεις μειώνει τον κίνδυνο ατομικών τραυματισμών.

- **Αποφεύγετε τυχαίο ξεκίνημα. Βεβαιώνετε ότι ο διακόπτης βρίσκεται στη θέση απενεργοποίησης (OFF) πριν συνδέσετε το ηλεκτρικό εργαλείο στο ρεύμα ή/και στην μπαταρία, ή όταν σηκώνετε ή μεταφέρετε το εργαλείο.** Η μεταφορά ηλεκτρικών εργαλείων με το δάχτυλο στον διακόπτη ή η σύνδεσή τους στο ρεύμα με το διακόπτη στο ON, αυξάνουν την πιθανότητα πρόκλησης ατυχημάτων.
- **Αφαιρείτε όλα τα κλειδιά ρύθμισης και τα μηχανικά κλειδιά πριν θέσετε σε λειτουργία το ηλεκτρικό εργαλείο.** Τυχόν εργαλεία ρύθμισης ή μηχανικά κλειδιά σε κάποιο από τα κινούμενα τμήματα του ηλεκτρικού εργαλείου μπορούν να προκαλέσουν ατομικό τραυματισμό.
- **Μην υπερεκτείνετε. Πατάτε πάντα σταθερά και διατηρείτε την ισορροπία σας.** Έτσι θα έχετε καλύτερο έλεγχο του ηλεκτρικού εργαλείου σε απρόβλεπτες καταστάσεις.
- **Φοράτε κατάλληλα ρούχα. Μη φοράτε φαρδιά ρούχα ή κοσμήματα. Κρατήστε τα μαλλιά και τα ρούχα σας μακριά από κινούμενα μέρη.** Χαλαρά ρούχα, κοσμήματα ή μακριά μαλλιά μπορεί να πιαστούν στα κινούμενα μέρη.
- **Αν υπάρχει δυνατότητα σύνδεσης συσκευών απομάκρυνσης και συλλογής της σκόνης, βεβαιωθείτε ότι αυτές οι συσκευές έχουν συνδεθεί και χρησιμοποιούνται σωστά.** Αυτές οι συσκευές μπορούν να περιορίσουν τους κινδύνους που σχετίζονται με τη σκόνη.
- **Ακόμα κι αν χρησιμοποιείτε συχνά ηλεκτρικά εργαλεία, μην εφησυχάζετε και μην παραβλέπετε τους βασικούς κανόνες ασφαλείας.** Μια στιγμή απροσεξίας μπορεί να προκαλέσει σοβαρό τραυματισμό.

ΧΡΗΣΗ ΚΑΙ ΦΡΟΝΤΙΔΑ ΤΟΥ ΕΡΓΑΛΕΙΟΥ

- **Μην πιέζετε το ηλεκτρικό εργαλείο. Χρησιμοποιήστε το σωστό ηλεκτρικό εργαλείο για την εκάστοτε εργασία.** Η εργασία θα πραγματοποιηθεί καλύτερα και ασφαλέστερα αν χρησιμοποιηθεί το κατάλληλο ηλεκτρικό εργαλείο στην ταχύτητα για την οποία έχει σχεδιαστεί.
- **Μη χρησιμοποιείτε το ηλεκτρικό εργαλείο αν ο διακόπτης δεν μπορεί να το ενεργοποιήσει και να το απενεργοποιήσει.** Οποιοδήποτε ηλεκτρικό εργαλείο που δεν μπορεί να ελεγχθεί με τον διακόπτη είναι επικίνδυνο και πρέπει να επισκευαστεί.

- **Αποσυνδέστε το φως από την πηγή ρεύματος και/ή αφαιρέστε την μπαταρία, αν είναι αποσπώμενη, από το ηλεκτρικό εργαλείο πριν κάνετε οποιαδήποτε ρύθμιση, πριν αλλάξετε εξαρτήματα και πριν αποθηκεύσετε το ηλεκτρικό εργαλείο.** Με αυτό τον τρόπο, περιορίζεται ο κίνδυνος να ενεργοποιηθεί κατά λάθος το ηλεκτρικό εργαλείο.
- **Αποθηκεύετε τα αδρανή ηλεκτρικά εργαλεία μακριά από σημεία όπου έχουν πρόσβαση τα παιδιά και μην αφήνετε άτομα μη εξοικειωμένα με το ηλεκτρικό εργαλείο ή με αυτές τις οδηγίες να χρησιμοποιήσουν το εργαλείο.** Τα ηλεκτρικά εργαλεία αποτελούν κίνδυνο όταν χρησιμοποιούνται από ανεκπαιδευτους χρήστες.
- **Συντηρείτε σωστά τα ηλεκτρικά εργαλεία και τα βοηθητικά τους εξαρτήματα. Ελέγχετε για κακή ευθυγράμμιση ή εμπλοκή των κινούμενων εξαρτημάτων, για σπασμένα εξαρτήματα και για κάθε άλλη κατάσταση που μπορεί να επηρεάσει τη λειτουργία του ηλεκτρικού εργαλείου.** Αν υποστεί ζημιά το ηλεκτρικό εργαλείο, επισκευάστε το πριν το χρησιμοποιήσετε. Πολλά ατυχήματα οφείλονται σε κακώς συντηρημένα ηλεκτρικά εργαλεία.
- **Διατηρείτε τα κοπτικά εξαρτήματα αιχμηρά και καθαρά.** Τα κοπτικά εργαλεία που έχουν συντηρηθεί σωστά και διαθέτουν αιχμηρές κόψεις είναι λιγότερο πιθανό να μπλοκάρουν, ενώ είναι ευκολότερα στο χειρισμό.
- **Χρησιμοποιείτε το ηλεκτρικό εργαλείο, τα εξαρτήματα, τις μύτες κλπ. σύμφωνα με αυτές τις οδηγίες, λαμβάνοντας υπόψη τις συνθήκες εργασίας και την προς εκτέλεση εργασία.** Η χρήση ενός ηλεκτρικού εργαλείου για λειτουργίες διαφορετικές από αυτές για τις οποίες προορίζεται είναι πιθανόν να οδηγήσει σε επικίνδυνες καταστάσεις.

- **Διατηρείτε τις λαβές και τις επιφάνειες συγκράτησης του εργαλείου στεγνές και καθαρές, χωρίς λάδια και γράσα.** Αν γλιστρούν οι λαβές και οι επιφάνειες συγκράτησης, δεν θα μπορείτε να χειριστείτε με ασφάλεια το εργαλείο, ούτε θα μπορείτε να το ελέγξετε αν προκύψει κάποια απροσδόκητη κατάσταση.

ΧΡΗΣΗ ΚΑΙ ΦΡΟΝΤΙΔΑ ΤΟΥ ΕΡΓΑΛΕΙΟΥ

- **Επαναφορτίζετε το εργαλείο μόνο με το φορτιστή που ορίζεται από τον κατασκευαστή.** Κάποιος φορτιστής που είναι κατάλληλος για έναν τύπο μπαταρίας μπορεί να δημιουργήσει κίνδυνο πυρκαγιάς εάν χρησιμοποιηθεί με άλλο τύπο μπαταρίας.
- **Χρησιμοποιείτε τα ηλεκτρικά εργαλεία μόνο με τις μπαταρίες που προορίζονται για αυτά.** Η χρήση οποιασδήποτε άλλης μπαταρίας μπορεί να προκαλέσει κίνδυνο τραυματισμού και πυρκαγιάς.

- Όταν η μπαταρία δεν χρησιμοποιείται, φυλάσσετε τη μακριά από μεταλλικά αντικείμενα όπως συνδετήρες, νομίσματα, κλειδιά, καρφιά, βίδες ή άλλα μικρά μεταλλικά αντικείμενα, τα οποία μπορεί να δημιουργήσουν σύνδεση μεταξύ των ακροδεκτών. Το βραχυκύκλωμα των ακροδεκτών της μπαταρίας μεταξύ τους ενδέχεται να προκαλέσει έγκαυμα ή πυρκαγιά.
- Σε συνθήκες κακής χρήσης, μπορεί να εκτοξευτούν υγρά από την μπαταρία. Να αποφεύγετε την επαφή με αυτά. Σε περίπτωση που υπάρξει επαφή κατά λάθος, ξεπλύνετε με νερό. Αν το υγρό έρθει σε επαφή με τα μάτια, αναζητήστε επιπλέον ιατρική βοήθεια. Τα υγρά, τα οποία εκτινάσσονται από την μπαταρία ενδέχεται να προκαλέσουν ερεθισμό ή εγκαύματα.
- Ακολουθείτε όλες τις οδηγίες σχετικά με τη φόρτιση και μη φορτίζετε την μπαταρία ή το εργαλείο εκτός του εύρους θερμοκρασίας που αναφέρεται στις οδηγίες. Αν η φόρτιση δεν γίνει σωστά ή πραγματοποιηθεί σε θερμοκρασία εκτός του καθορισμένου εύρους, μπορεί να υποστεί ζημιά η μπαταρία και να προκληθεί φωτιά.
- Μη χρησιμοποιείτε την μπαταρία ή το εργαλείο αν έχουν υποστεί ζημιά ή έχουν τροποποιηθεί. Οι μπαταρίες που έχουν υποστεί ζημιά ή έχουν τροποποιηθεί μπορεί να έχουν απρόβλεπτη συμπεριφορά και να προκαλέσουν φωτιά, έκρηξη ή τραυματισμό.
- Η μπαταρία και το εργαλείο δεν πρέπει να εκτίθενται σε φωτιά ή υπερβολικά υψηλή θερμοκρασία. Η έκθεση σε φωτιά ή θερμοκρασία πάνω από 100 C μπορεί να προκαλέσει έκρηξη.

ΣΕΡΒΙΣ

- Το σέρβις ηλεκτρικού εργαλείου σας πρέπει να γίνεται από εξειδικευμένο τεχνικό, χρησιμοποιώντας μόνο ίδια ανταλλακτικά. Έτσι θα εξασφαλιστεί η διατήρηση της ασφάλειας ηλεκτρικού εργαλείου.
- Μην επιχειρείτε να επισκευάσετε την μπαταρία αν έχει υποστεί ζημιά. Οι μπαταρίες πρέπει να επισκευάζονται μόνο από τον κατασκευαστή ή από εξουσιοδοτημένα κέντρα σέρβις.

ΠΡΟΕΙΔΟΠΟΙΗΣΕΙΣ ΑΣΦΑΛΕΙΑΣ ΓΙΑ ΘΑΜΝΟΚΟΠΤΙΚΑ

- Διατηρείτε όλα τα μέρη του σώματός σας μακριά από το κοπτικό εξάρτημα. Μην απομακρύνετε ή μην πιάνετε τα κομμένα υπολείμματα όταν οι λεπίδες του κοπτικού εξαρτήματος κινούνται. Σιγουρευτείτε ότι ο διακόπτης είναι στη θέση απενεργοποίησης όταν καθαρίζετε υλικό που έχει εμπλακεί. Μια στιγμή απροσεξίας κατά τη χρήση του θαμνοκοπτικού μπορεί να προκαλέσει σοβαρό τραυματισμό.

- Μεταφέρετε το θαμνοκοπτικό από τη λαβή με τη λεπίδα του κοπτικού εξαρτήματος να έχει σταματήσει να κινείται. Όταν μεταφέρετε ή αποθηκεύετε το θαμνοκοπτικό να τοποθετείτε πάντα το κάλυμμα του κοπτικού εξαρτήματος. Ο σωστός χειρισμός του θαμνοκοπτικού θα μειώσει πιθανό τραυματισμό από τις λεπίδες του κοπτικού εξαρτήματος.
- Κρατάτε το ηλεκτρικό εργαλείο από τις μονωμένες λαβές μόνο, γιατί το αλυσοπρίονο μπορεί να έρθει σε επαφή με κρυφές καλωδιώσεις. Αν μια αλυσίδα πριονιού έρθει σε επαφή με «ηλεκτροφόρα» καλώδια, ενδέχεται τα μεταλλικά μέρη του ηλεκτρικού εργαλείου να καταστούν και αυτά «ηλεκτροφόρα» και να προκαλέσουν ηλεκτροπληξία στον χειριστή.
- Κρατήστε το καλώδιο μακριά από την περιοχή κοπής. Κατά τη χρήση του εργαλείου, μπορεί να υπάρχουν καλώδια κρυμμένα μέσα στους θάμνους και να κοπούν κατά λάθος από τη λεπίδα.
- Πριν τη λειτουργία ελέγχετε τον θάμνο για ξένα αντικείμενα, π.χ. σαρματοπλέγματα.
- Χρησιμοποιείτε το θαμνοκοπτικό μόνο με σωστά τοποθετημένο προστατευτικό. Η χρήση του θαμνοκοπτικού χωρίς το σωστό προστατευτικό μπορεί να επιφέρει σοβαρό ατομικό τραυματισμό!
- Να κρατάτε το μηχανήμα χρησιμοποιώντας και τα δυο σας χέρια. Η χρήση του ενός χεριού μπορεί να προκαλέσει απώλεια του ελέγχου και να επιφέρει σοβαρό ατομικό τραυματισμό.

ΣΗΜΑΝΤΙΚΕΣ ΟΔΗΓΙΕΣ ΑΣΦΑΛΕΙΑΣ

- Μη φορτίζετε την μπαταρία στη βροχή ή σε υγρές τοποθεσίες.
- Αφαιρέστε την μπαταρία πριν από τη διάθεση της συσκευής στα απορρίμματα.
- Μην πιάνετε τις εκτεθειμένες λεπίδες κοπής ή ακμές κοπής όταν πιάνετε ή κρατάτε το θαμνοκοπτικό.
- Μη χρησιμοποιείτε επάνω σε σκάλα, στέγη, δέντρο ή άλλη ασταθή υποστήριξη. Το σταθερό πάτημα σε μια ανθεκτική επιφάνεια διευκολύνει τον καλύτερο έλεγχο του θαμνοκοπτικού σε μη αναμενόμενες καταστάσεις.
- Ποτέ μην αφήνετε παιδιά να χειρίζονται το θαμνοκοπτικό.
- Ποτέ μην απομακρύνετε ή σκαλίζετε τις συσκευές ασφαλείας. Ελέγχετε την σωστή τους λειτουργία τακτικά. Ποτέ μην παρεμβαίνετε στην προοριζόμενη λειτουργία μιας συσκευής ασφαλείας ή μην μειώνετε την παρεχόμενη προστασία μιας συσκευής ασφαλείας.

- Ελέγχετε τη λεπίδα και τα μπουλόνια τοποθέτησης κινητήρα ανά τακτά χρονικά διαστήματα για σωστό σφίξιμο. Επίσης ελέγχετε οπτικά τη λεπίδα για ζημιές (π.χ. λυγίσμα, ρωγμή και φθορές). Αντικαθιστάτε τη λεπίδα μόνο με λεπίδα της EGO™.
- Αντικαθιστάτε τη λεπίδα εάν έχει λυγίσει ή έχει ρωγμές. Μια λεπίδα χωρίς ισορροπία προκαλεί κραδασμούς που θα μπορούσαν να προκαλέσουν ζημιά στη μονάδα οδηγού κινητήρα ή ατομικό τραυματισμό
- Αν η συσκευή αρχίσει να δονείται μη φυσιολογικά, σταματήστε το μοτέρ και διερευνήστε αμέσως την αιτία.
- Το θαμνοκοπτικό πρέπει να χρησιμοποιείται για να κόβει κλαριά με πάχος μικρότερο από 33 mm.
- Μην πλένετε με λάστιχο. Αποφεύγετε να εισέρχεται νερό στον κινητήρα και στις ηλεκτρικές συνδέσεις.
- Ακολουθείτε τις οδηγίες που αφορούν στη λίπανση και την αλλαγή αεζουάρ. Διατηρείτε τις λαβές στεγνές, καθαρές και απομακρύνετε από αυτές τυχόν λάδια και γράσο.
- Φυλάξτε αυτές τις οδηγίες. Ανατρέχετε σε αυτές συχνά και χρησιμοποιείτε τις για να εκπαιδεύετε άλλους που μπορεί να χρησιμοποιήσουν το εργαλείο. Εάν δανείσετε αυτό το εργαλείο σε κάποιον άλλο, δανείστε και αυτές τις οδηγίες, ώστε να εμποδίσετε εσφαλμένη χρήση του προϊόντος και πιθανό τραυματισμό.

ΦΥΛΑΞΤΕ ΑΥΤΕΣ ΤΙΣ ΟΔΗΓΙΕΣ!

ΠΡΟΔΙΑΓΡΑΦΕΣ

Τάση	56 V	56 V
Ταχύτητα λεπίδας	1800 /min	1800 /min
Μήκος λεπίδας	65 cm	75 cm
Ικανότητα κοπής	31 mm	31 mm
Βάρος εργαλείου	4,1 kg	4,2 kg
Προτεινόμενη θερμοκρασία λειτουργίας	0°C-40°C	0°C-40°C
Προτεινόμενη θερμοκρασία αποθήκευσης	-20°C-70°C	-20°C-70°C
Μετρημένο επίπεδο ισχύος ήχου L_{WA}	90,1 dB(A) K=2,9 dB(A)	95,4 dB(A) K=1,52 dB(A)
Στάθμη ηχητικής πίεσης στο αυτί του χειριστή L_{PA}	80,1 dB(A) K=3 dB(A)	83,9 dB(A) K=2,5 dB(A)
Εγγυημένη στάθμη ηχητικής ισχύος L_{WA} (κατά 2000/14/ΕΚ)	93 dB(A)	97 dB(A)

Δονήσεις a_{h1}	Οπίσθια λαβή	3,2 m/s ² K=1,5 m/s ²	2,872 m/s ² K=1,5 m/s ²
	Μπροστινή λαβή	3,9 m/s ² K=1,5 m/s ²	3,536 m/s ² K=1,5 m/s ²

- Η αναφερόμενη συνολική τιμή κραδασμών έχει μετρηθεί σύμφωνα με την πρότυπη μέθοδο ελέγχου και μπορεί να χρησιμοποιηθεί για τη σύγκριση ενός εργαλείου με κάποιο άλλο.
- Η αναφερόμενη συνολική τιμή κραδασμών μπορεί να χρησιμοποιηθεί επίσης για την προκαταρκτική αξιολόγηση της έκθεσης.

ΣΗΜΕΙΩΣΗ: Οι εκπομπές κραδασμών κατά τη διάρκεια της πραγματικής χρήσης του ηλεκτρικού εργαλείου μπορεί να διαφέρουν από τη δηλωμένη τιμή στην οποία χρησιμοποιείται το εργαλείο. Για την προστασία του χειριστή, πρέπει να χρησιμοποιούνται γάντια και προστασία της ακοής στις πραγματικές συνθήκες χρήσης.

ΚΑΤΑΛΟΓΟΣ ΕΞΑΡΤΗΜΑΤΩΝ ΣΥΣΚΕΥΑΣΙΑΣ

ΟΝΟΜΑ ΕΞΑΡΤΗΜΑΤΟΣ	ΠΟΣΟΤΗΤΑ
ΘΑΜΝΟΚΟΠΤΙΚΟ ΣΑΣ	1
Προστατευτικό	1
Εγχειρίδιο χρήσης	1

ΠΕΡΙΓΡΑΦΗ

ΓΝΩΡΙΣΤΕ ΤΟ ΘΑΜΝΟΚΟΠΤΙΚΟ ΣΑΣ (Εικ. Α)

1. Προστατευτικό αιχμής
2. Λεπίδα
3. Προστατευτικό λεπίδας
4. Μπροστινός διακόπτης
5. Μπροστινή λαβή
6. Κομπτί ασφάλισης
7. Πίσω διακόπτης
8. Πίσω λαβή
9. Άγκιστρο «U»
10. Υποδοχή
11. Προστατευτικό χεριών
12. Προστατευτικό

ΠΡΟΕΙΔΟΠΟΙΗΣΗ: Το προϊόν έχει αποσταλεί πλήρως συναρμολογημένο. Το προστατευτικό χεριών δεν πρέπει να απομακρύνεται κατά τη χρήση. Εάν χαλάσει, επιτρέψτε να το αντικαταστήσει αμέσως ένας εξειδικευμένος τεχνικός του σέρβις.

▲ ΠΡΟΕΙΔΟΠΟΙΗΣΗ: Η ασφαλής χρήση του προϊόντος απαιτεί την πλήρη κατανόηση των πληροφοριών που υπάρχουν επάνω στο μηχάνημα, όπως και μέσα στο εγχειρίδιο χρήσης, όπως και τη γνώση της εργασίας που θα προσπαθήσετε να εκτελέσετε. Πριν από τη χρήση του προϊόντος, εξοικειωθείτε με όλα τα χαρακτηριστικά λειτουργίας, όπως και τους κανόνες ασφαλείας.

ΛΕΙΤΟΥΡΓΙΑ

▲ ΠΡΟΕΙΔΟΠΟΙΗΣΗ: Η εξοικειωσή σας με αυτό το προϊόν δε θα πρέπει να σας κάνει λιγότερο προσεκτικούς. Θυμηθείτε πως ένα κλάσμα δευτερολέπτου απροσεξίας μπορεί να προκαλέσει σοβαρό τραυματισμό.

▲ ΠΡΟΕΙΔΟΠΟΙΗΣΗ: Φοράτε πάντα προστασία για τα μάτια με πλαϊνά προστατευτικά. Σε αντίθετη περίπτωση, είναι πιθανό να υπάρξει εκτόξευση αντικειμένων στα μάτια σας και άλλοι πιθανοί σοβαροί τραυματισμοί.

▲ ΠΡΟΕΙΔΟΠΟΙΗΣΗ: Για να εμποδίσετε τυχαία εκκίνηση που θα μπορούσε να προκαλέσει σοβαρό ατομικό τραυματισμό, απομακρύνετε πάντα τη συστοιχία μπαταριών από το εργαλείο όταν συναρμολογείτε εξαρτήματα, διεξάγετε ρυθμίσεις, καθαρισμό ή σε περίπτωση μη χρήσης.

▲ ΠΡΟΕΙΔΟΠΟΙΗΣΗ: Μη χρησιμοποιείτε εξαρτήματα που δε συνιστώνται από τον κατασκευαστή αυτού του προϊόντος. Η χρήση παρελκόμενων ή εξαρτημάτων που δε συνιστώνται από τον κατασκευαστή, ενέχει τον κίνδυνο σοβαρού τραυματισμού.

Πριν από κάθε χρήση, επιθεωρείτε ολόκληρο το προϊόν για κατεστραμμένα ή λασκαρισμένα εξαρτήματα ή εξαρτήματα που λείπουν, όπως βίδες, παξιμάδια, βίδες, καπάκια, κλπ. Σφίξτε καλά όλους τους σφιγκτήρες και τα καπάκια, και μη χρησιμοποιήσετε αυτό το προϊόν πριν να αντικατασταθούν όλα τα εξαρτήματα που λείπουν ή αυτά που έχουν καταστραφεί.

Το προϊόν μπορεί να χρησιμοποιηθεί στη βροχή.

ΤΟΠΟΘΕΤΗΣΗ/ΑΠΟΜΑΚΡΥΝΣΗ ΤΗΣ ΣΥΣΤΟΙΧΙΑΣ ΜΠΑΤΑΡΙΩΝ

Να χρησιμοποιείται μόνο με τις συστοιχίες μπαταριών και τους φορτιστές που αναφέρονται στην εικ. Α.

Φόρτιση πριν από την πρώτη χρήση.

Για την εγκατάσταση (Εικ. Β & C & D)

Ευθυγραμμίστε το λογότυπο ▲ στο βύσμα και στο θαμνοκοπτικό, και τοποθετήστε το βύσμα στο θαμνοκοπτικό, μέχρι να εξαφανιστεί τελείως η πράσινη τσιμούχα μέσα στην υποδοχή.

Στερεώστε το καλώδιο της μπαταρίας στο άγκιστρο «U».

Αφαίρεση (Εικ. Ε)

Απελευθερώστε το καλώδιο της μπαταρίας από το άγκιστρο «U» και αφαιρέστε το βύσμα από το θαμνοκοπτικό.

ΕΝΑΡΞΗ/ΣΤΑΜΑΤΗΜΑ ΤΟΥ ΘΑΜΝΟΚΟΠΤΙΚΟΥ

Πριν χρησιμοποιήσετε το εργαλείο, αφαιρέστε το προστατευτικό και κρατήστε το θαμνοκοπτικό και με τα δύο χέρια, το ένα χέρι στην πίσω λαβή και το άλλο στην μπροστινή λαβή. Μετά, βεβαιωθείτε ότι έχετε σταθερό πάτημα, σωστή στάση και σωστή απόσταση από το αντικείμενο κοπής.

▲ ΠΡΟΕΙΔΟΠΟΙΗΣΗ: Να έχετε πάντα και τα δύο χέρια στις λαβές του θαμνοκοπτικού. Ποτέ μην κρατάτε τους θάμνους με το ένα χέρι και χειρίζεστε το θαμνοκοπτικό με το άλλο. Η μη τήρηση αυτής της προειδοποίησης μπορεί να έχει ως αποτέλεσμα σοβαρό τραυματισμό.

▲ ΠΡΟΕΙΔΟΠΟΙΗΣΗ: Για να σταματήσετε το θαμνοκοπτικό, μετακινήστε το κουμπί ασφαλίσης στη θέση «OFF» πριν αφαιρέσετε την μπαταρία. Αν αγνοήσετε αυτή την προειδοποίηση, μπορεί να προκληθεί σοβαρός τραυματισμός.

Έναρξη

Μετακινήστε το κουμπί ασφαλίσης στη θέση «ON» (Εικ. F) και μετά πιέστε τον πίσω διακόπτη. Με πατημένο τον πίσω διακόπτη, συνεχίστε να πιέζετε τον μπροστινό διακόπτη για να ξεκινήσει το εργαλείο.

Εικ. F Για περιγραφή των εξαρτημάτων, βλ. παρακάτω:

F-1	Κουμπί ασφαλίσης
F-2	Πίσω διακόπτης

Σταμάτημα

Για να σταματήσετε το εργαλείο, απελευθερώστε οποιοδήποτε από τους δύο διακόπτες και μετακινήστε το κουμπί ασφαλίσης στη θέση «OFF» για να μην θεθεί κατά λάθος σε λειτουργία το εργαλείο.

ΣΗΜΕΙΩΣΗ: Και οι δύο διακόπτες πρέπει να πατηθούν για να εκκινήσει το θαμνοκοπτικό.

ΠΩΣ ΠΡΕΠΕΙ ΝΑ ΚΡΑΤΑΤΕ ΤΟ ΘΑΜΝΟΚΟΠΤΙΚΟ

Κρατήστε το θαμνοκοπτικό και με τα δύο χέρια, έτσι ώστε η λεπίδα να είναι στραμμένη μακριά από εσάς, κρατώντας την μπροστινή λαβή με το ένα χέρι και την πίσω λαβή με το άλλο. Μπορείτε να κρατήσετε το εργαλείο με τρεις διαφορετικούς προσανατολισμούς, ανάλογα με την εργασία κοπής (Εικ. G και H και I).

ΧΡΗΣΗ ΤΟΥ ΘΑΜΝΟΚΟΠΤΙΚΟΥ

⚠️ ΠΡΟΕΙΔΟΠΟΙΗΣΗ: Αν παγιδευτεί η λεπίδα σε ηλεκτρικό καλώδιο ή ηλεκτρική γραμμή, **ΜΗΝ ΑΓΓΙΞΕΤΕ ΤΗ ΛΕΠΙΔΑ! ΜΠΟΡΕΙ ΝΑ ΕΙΝΑΙ ΗΛΕΚΤΡΟΦΟΡΑ ΚΑΙ ΠΟΛΥ ΕΠΙΚΙΝΔΥΝΗ.** Συνεχίστε να κρατάτε το θαμνοκοπτικό από τη μονωμένη πίσω λαβή ή ακουμπήστε το με ασφάλεια κάτω και μακριά από εσάς. Διακόψτε το ρεύμα στην κατεστραμμένη γραμμή ή το κατεστραμμένο καλώδιο πριν επιχειρήσετε να ελευθερώσετε τη λεπίδα από τη γραμμή ή το καλώδιο. Αν αγνοήσετε αυτή την προειδοποίηση, μπορεί να προκληθεί σοβαρός τραυματισμός ή και θάνατος.

⚠️ ΠΡΟΕΙΔΟΠΟΙΗΣΗ: Για να εμποδίσετε σοβαρό ατομικό τραυματισμό, διατηρείτε τα χέρια μακριά από λεπίδες. Μην προσπαθείτε να απομακρύνετε κομμένο υλικό ή μην πιάνετε το υλικό που θα κοπεί όταν οι λεπίδες κινούνται. Εξασφαλίστε ότι οι λεπίδες έχουν σταματήσει εντελώς και η συστοιχία μπαταριών έχει απομακρυνθεί προτού καθαρίσετε μπλοκαρισμένο υλικό από τις λεπίδες. Μην πιάνετε τις εκτεθειμένες λεπίδες κοπής ή ακμεκτοπής όταν πιάνετε ή κρατάτε τη μονάδα.

⚠️ ΠΡΟΕΙΔΟΠΟΙΗΣΗ: Καθαρίζετε την περιοχή κοπής πριν από κάθε χρήση. Απομακρύνετε όλα τα αντικείμενα όπως καλώδια, φώτα, σύρματα ή κορδόνια, τα οποία μπορεί να μπερδευτούν στη λεπίδα κοπής και να δημιουργήσουν κίνδυνο σοβαρού ατομικού τραυματισμού.

⚠️ ΠΡΟΕΙΔΟΠΟΙΗΣΗ: Αποφεύγετε μεγάλες κοπές μονομιάς ή μέσα από την πυκνή διάταξη θάμνων. Έτσι θα δυσκολευτεί η κίνηση των λεπίδων και θα είναι αργή με αποτέλεσμα να μειωθεί η απόδοση κοπής.

ΣΗΜΕΙΩΣΗ: Για νέους θάμνους είναι κατάλληλη μια πλατιά σαρωτική κίνηση για τα κοτσάνια ώστε να τροφοδοτούνται άμεσα στη λεπίδα κοπής. Για παλαιότερους θάμνους είναι καλή μια κίνηση κοπής για την κοπή χοντρότερων κοτσανιών. Συστήνεται ένα πριόνι χειρός ή πριόνι κλαδέματος για την κοπή πρώτα μεγάλων κοτσανιών.

Κοπή από επάνω

Χρησιμοποιείτε μια πλατιά σαρωτική κίνηση. Μια ελαφριά καθοδική κλίση των λεπίδων κοπής στον κατεύθυνση της κίνησης παρέχει τα καλύτερα αποτελέσματα κοπής. Για καλύτερα αποτελέσματα κοπής μπορείτε επίσης να χρησιμοποιήσετε το νήμα για την καθοδήγηση του επιπέδου θάμνου όπως φαίνεται στην Εικ. J.

Πλαϊνή κοπή

Όταν κόβετε στις πλευρές του θάμνου, ξεκινάτε από το κάτω μέρος και κόβετε προς τα επάνω όπως φαίνεται στην Εικ. K.

Προστατευτικό ακμής

Το προστατευτικό ακμής (Εικ. L) χρησιμοποιείται για την προστασία του εξωτερικού άκρου της λεπίδας.

Προστατευτικό δίσκου

Το εξωτερικό τμήμα των λεπίδων έχει σχήμα προστατευτικών λεπίδων(Εικ. M).

Εικ. M Για περιγραφή των εξαρτημάτων, βλ. παρακάτω:

M-1	Λεπίδα
M-2	Προστατευτικό λεπίδας

⚠️ WARNING: Always check that the blade guard is not damaged or distorted. Replace it if it is bent or damaged.

ΣΥΝΤΗΡΗΣΗ

⚠️ ΠΡΟΕΙΔΟΠΟΙΗΣΗ: Όταν κάνετε συντήρηση του εργαλείου, χρησιμοποιείτε μόνο ίδια ανταλλακτικά Η χρήση οποιωνδήποτε άλλων εξαρτημάτων μπορεί να προκαλέσει κίνδυνο ή υλικές ζημιές. Για να διασφαλίσετε την ασφάλεια και την αξιοπιστία, όλες οι επισκευές πρέπει να διεξάγονται από εξειδικευμένο τεχνικό του σέρβις.

⚠️ ΠΡΟΕΙΔΟΠΟΙΗΣΗ: Για την αποφυγή σοβαρού ατομικού τραυματισμού, αφαιρείτε πάντοτε τη συστοιχία μπαταριών από το προϊόν πριν από τον καθαρισμό του ή πριν από οποιαδήποτε συντήρηση.

ΚΑΘΑΡΙΣΜΟΣ

- Χρησιμοποιείτε μια μαλακιά βούρτσα για την απομάκρυνση υπολειμμάτων από όλες τις εισόδους αέρα και από τη λεπίδα κοπής.
- Για να απομακρύνετε υπολείμματα που κολλάνε, ψεκάστε τις λεπίδες με διάλυμα ρητίνης. Θέστε σε σύντομη λειτουργία τον κινητήρα έτσι ώστε το διάλυμα να μοιραστεί ομοιόμορφα.
- Σκουπίστε την επιφάνεια με ένα στεγνό πανί.

⚠️ ΠΡΟΕΙΔΟΠΟΙΗΣΗ: Αποφύγετε τη χρήση διαλυτών κατά τον καθαρισμό των πλαστικών εξαρτημάτων. Τα περισσότερα πλαστικά είναι ευπαθή στη χρήση διαφόρων τύπων διαλυτών του εμπορίου. Χρησιμοποιείτε καθαρά πανιά για την απομάκρυνση βρωμιάς, σκόνης, λαδιού, γράσου κλπ.

ΑΚΟΝΙΣΜΑ ΤΗΣ ΛΕΠΙΔΑΣ

1. Αφαιρέστε τη φορητή μπαταρία από το θαμνοκοπτικό.
2. AHB6500S/AHB7500S: Στερεώστε τη διάταξη της λεπίδας σε μια μέγερη και ακονίστε την εκτεθειμένη επιφάνεια κοπής κάθε δοντιού της λεπίδας. Αφαιρέστε όσο το δυνατό λιγότερο υλικό.

AHB6500/AHB7500 (Με "C" και "HARDENED" (ΣΚΛΗΡΥΜΕΝΗ) στην επιφάνεια της λεπίδας): Στερεώστε τη διάταξη της λεπίδας σε μια μέγγενη και ακονίστε την εκτεθειμένη επιφάνεια κοπής με μια λίμα διαμαντιού ή τροχό χαμηλής ταχύτητας (ταχύτητα περιστροφής < 2500 min⁻¹, ταχύτητα τροφοδοσίας < 60mm/min, μέγεθος κόκκου>100). Αφαιρώντας όσο το δυνατό λιγότερο υλικό.

3. Αφαιρέστε το θαμνοκοπτικό από τη μέγγενη και τοποθετήστε το έτσι ώστε να είναι εκτεθειμένη η άλλη πλευρά της λεπίδας, που δεν έχει ακονιστεί.

Επανάλαβετε την παραπάνω διαδικασία, μέχρι να ακονιστούν όλα τα δόντια της λεπίδας.

ΣΗΜΕΙΩΣΗ: Μη χρησιμοποιείτε το θαμνοκοπτικό αν οι λεπίδες είναι στομαμμένες ή έχουν υποστεί ζημιά. Το θαμνοκοπτικό μπορεί να υπερφορτωθεί και να μην κόβει καλά.

ΣΗΜΕΙΩΣΗ: Η ειδική λεπίδα του AHB6500/AHB7500 δεν μπορεί να ακονιστεί με απλή μεταλλική λίμα.

ΣΗΜΕΙΩΣΗ: Αν χρησιμοποιήσετε τροχιστή χαμηλής ταχύτητας (ταχ. περιστροφής <2500 min⁻¹) για να ακονίσετε τη λεπίδα, να βρέχετε συνεχώς τα δόντια της λεπίδας κατά το ακόνισμα.

ΛΙΠΑΝΣΗ ΤΟΥ ΘΑΜΝΟΚΟΠΤΙΚΟΥ

⚠️ ΠΡΟΕΙΔΟΠΟΙΗΣΗ: Μη λιπαίνετε το θαμνοκοπτικό όταν είναι συνδεδεμένο στην μπαταρία ή βρίσκεται σε λειτουργία.

Λίπανση της λεπίδας

Για βέλτιστη λειτουργία και μακρά διάρκεια ζωής, η λεπίδα του θαμνοκοπτικού πρέπει να λιπαίνεται με ελαφρύ μηχανέλαιο πριν και μετά από κάθε χρήση.

Αφαιρέστε τη φορητή μπαταρία και τοποθετήστε το θαμνοκοπτικό σε επίπεδη επιφάνεια. Προσθέστε το λάδι κατά μήκος του χείλους της πάνω λεπίδας (Εικ. Ν).

Λίπανση του μειωτήρα

Για βέλτιστη λειτουργία και μακρά διάρκεια ζωής, ο μειωτήρας του θαμνοκοπτικού πρέπει να λιπαίνεται με ειδικό γράσο (5-6g στο #1 και 10-12g στο #2 κάθε φορά) ανά 50 ώρες λειτουργίας.

Το ειδικό γράσο πρέπει να πληροί τις ακόλουθες προδιαγραφές.

1. Προδιαγραφών DIN51818: Βαθμός διεύθυνσης κίνου NLGI-2.
2. Σύνθεση παχυντών πολυουρίας + συνθετικό βασικό λάδι

3. Εξαιρετική απόδοση εκκίνησης σε χαμηλή θερμοκρασία, ενισχυμένο με πρόσθετα υψηλής πίεσης (EP), υψηλή αντοχή σε μηχανική διάτμηση και τριβή και οξειδωτική σταθερότητα.

4. Θερμοκρασία λειτουργίας μεταξύ -40~180°C.

Αφαιρέστε το βύσμα της μπαταρίας και τις δύο βίδες στεγανοποίησης (Εικ. Ο). Λίπανση του μειωτήρα μέσω της οπής λαδιού.

ΕΙΔΟΠΟΙΗΣΗ: Μη γεμίστε πλήρως το κιβώτιο του γραναζιού με λιπαντικό.

ΜΕΤΑΦΟΡΑ ΚΑΙ ΑΠΟΘΗΚΕΥΣΗ

- Τοποθετείτε πάντα το προστατευτικό στη λεπίδα πριν αποθηκεύσετε ή μεταφέρετε το θαμνοκοπτικό. Προσέχετε τα αιχμηρά δόντια της λεπίδας.
- Καθαρίστε το θαμνοκοπτικό επιμελώς πριν από την αποθήκευση.
- Αποθηκεύστε το θαμνοκοπτικό σε εσωτερικό, στεγνό χώρο, όπου δεν πλησιάζουν παιδιά.
- Κρατάτε το μακριά από διαβρωτικά προϊόντα, όπως χημικά και αποπαγωτικά άλατα κήπου.

⚠️ ΠΡΟΕΙΔΟΠΟΙΗΣΗ: Οι λεπίδες είναι αιχμηρές. Όταν χειρίζεστε το συγκρότημα λεπίδας, φοράτε αντιολισθητικά, ανθεκτικά προστατευτικά γάντια. Μην τοποθετείτε το χέρι ή τα δάχτυλά σας μεταξύ των λεπίδων ή σε οποιαδήποτε θέση όπου μπορεί να μαγκωθούν ή κοπούν. ΠΟΤΕ μην αγγίζετε τις λεπίδες ή μην συντηρείτε τη μονάδα με εγκατεστημένη τη συστοιχία μπαταριών.

Προστασία του περιβάλλοντος



Μην απορρίπτετε ηλεκτρικό εξοπλισμό, παλιές μπαταρίες και φορτιστές στα οικιακά απορρίμματα! Μεταφέρετε αυτό το προϊόν σε εξουσιοδοτημένο κέντρο ανακύκλωσης και παραδώστε το για ξεχωριστή συλλογή. Τα ηλεκτρικά εργαλεία πρέπει να επιστρέφονται σε περιβαλλοντικά συμβατή μονάδα ανακύκλωσης.

ΑΝΤΙΜΕΤΩΠΙΣΗ ΠΡΟΒΛΗΜΑΤΩΝ

ΠΡΟΒΛΗΜΑ	ΑΙΤΙΑ	ΕΠΙΛΥΣΗ
Το θαμνοκοπτικό δεν λειτουργεί.	<ul style="list-style-type: none"> ■ Η μπαταρία δεν έχει συνδεθεί στο θαμνοκοπτικό ή δεν υπάρχει ηλεκτρική επαφή ανάμεσα στο θαμνοκοπτικό και την μπαταρία. ■ Η συστοιχία μπαταριών έχει εξαντληθεί. ■ Δεν μετακινήσατε το κουμπί ασφάλισης στη θέση «ON» πριν πατήσετε τους διακόπτες. ■ Έχει υπερθερμανθεί η μπαταρία ή το θαμνοκοπτικό. ■ Η λεπίδα είναι μπλοκαρισμένη. ■ Το θαμνοκοπτικό έχει υπερφορτωθεί. 	<ul style="list-style-type: none"> ■ Συνδέστε ξανά το βύσμα της μπαταρίας στο θαμνοκοπτικό. ■ Φορτίστε την μπαταρία με τον προβλεπόμενο φορτιστή. ■ Πριν χρησιμοποιήσετε το θαμνοκοπτικό, βεβαιωθείτε ότι το κουμπί ασφάλισης βρίσκεται στη θέση απασφάλισης. ■ Αφήστε να κρυώσει η μπαταρία ή το θαμνοκοπτικό μέχρι να φτάσει σε κανονική θερμοκρασία. ■ Αφαιρέστε την μπαταρία από το εργαλείο. Απομακρύνετε προσεκτικά το εμπόδιο και μετά ξανασυνδέστε την μπαταρία και θέστε σε λειτουργία το εργαλείο. ■ Μειώστε το φορτίο του μηχανήματος.
Υπερβολικοί κραδασμοί ή θόρυβος.	<ul style="list-style-type: none"> ■ Στεγνές ή διαβρωμένες λεπίδες. ■ Οι λεπίδες ή η υποστήριξη λεπίδας έχει λυγίσει. ■ Λυγισμένη ή φθαρμένη οδόντωση. ■ Λασκαρισμένα μπουλόνια λεπίδας. 	<ul style="list-style-type: none"> ■ Λιπάνετε τις λεπίδες. ■ Τοποθετήστε νέα λεπίδα ή νέα βάση λεπίδας. Επικοινωνήστε με το κέντρο σέρβις της EGO για την αντικατάσταση της λεπίδας ή της βάσης της λεπίδας. ■ Τοποθετήστε νέα λεπίδα. Επικοινωνήστε με το κέντρο σέρβις της EGO για την αντικατάσταση της λεπίδας. ■ Σφίξτε τα μπουλόνια λεπίδας. Χρησιμοποιώντας ένα κλειδί, γυρίστε δεξιόστροφα το μπουλόνι για σφίξτε.

ΕΓΓΥΗΣΗ

ΠΟΛΙΤΙΚΗ ΕΓΓΥΗΣΗΣ EGO

Επισκεφθείτε την ιστοσελίδα egopowerplus.eu για όλους τους όρους και τις προϋποθέσεις της πολιτικής εγγύησης EGO.

TÜM TALIMATLARI OKUYUN!



KULLANIM KILAVUZUNU OKUYUN

UYARI: Güvenliği ve güvenilirliği sağlamak için, tüm onarım işlemleri yetkili bir servis teknisyeni tarafından gerçekleştirilmelidir.

GÜVENLİK SEMBOLLERİ

Güvenlik sembollerinin amacı olası tehlikelere dikkatinizi çekmektir. Güvenlik sembolleri ve yanlarındaki açıklamalar özel dikkat ve anlayış göstermenizi gerektirir. Uyarı sembolleri kendi başlarına herhangi bir tehlikeyi gidemez.

Sundukları talimat ve uyarılar uygun kaza önleme önlemlerinin yerine geçmez.

UYARI: Bu aleti kullanmadan önce, "TEHLİKE", "UYARI" ve "DİKKAT" gibi tüm güvenlik uyarı ve sembollerini içeren bu Kullanım Kılavuzu içerisindeki tüm güvenlik talimatlarını okuyup anladığınızdan emin olun. Aşağıdaki talimatların tamamına uyulmaması elektrik çarpması, yangın ve/veya ciddi kişisel yaralanma ile sonuçlanabilir.

SEMBOLÜN ANLAMI

GÜVENLİK UYARI SEMBOLÜ: TEHLİKE, UYARI veya DİKKAT edilmesi gereken durumları gösterir. Diğer semboller veya resimlerle birlikte kullanılabilir.

UYARI: Herhangi bir elektrikli aletin kullanımı yabancı nesnelere gözlerinize fırlatılması sonucunu doğurabilir, bu da gözlerde ciddi hasara yol açabilir. Elektrikli aleti kullanmaya başlamadan önce, daima göz koruması veya yan siperleri olan koruyucu gözlük takın ve gerektiğinde tam yüz siperi kullanın. Gözlük üzerine kullanım için Wide Vision Koruyucu Maske ya da yan siperleri olan standart koruyucu gözlükleri tavsiye ederiz.

GÜVENLİK TALİMATLARI

Bu sayfada, bu ürün üzerinde görülebilecek güvenlik sembolleri gösterilmekte ve açıklanmaktadır. Makineyi monte etmeye ve kullanmaya başlamadan önce, makineye ilişkin tüm talimatları okuyup anlayın ve bu talimatlara uyun.

	Güvenlik Uyarısı	Potansiyel bir kişisel yaralanma tehlikesini gösterir.
	Kullanım Kılavuzunu Okuyun	Yaralanma riskini azaltmak için, kullanma kılavuzu mutlaka okunmalıdır.
	Elleri ve ayakları kesme aletinden uzak tutun	Elektrikli aletinizi asla tek elle çalıştırmaya kalkışmayın. Elektrikli aletin kontrol kaybı ciddi veya ölümcül yaralanmalarla sonuçlanabilir. Kesme yaralanma riskini düşürmek için ellerinizi ve ayaklarınızı kesme aletinden uzak tutun. Asla hareket halindeki kesme aletine elinizle veya vücudunuzun herhangi bir başka kısmı ile dokunmayın
	Koruyucu Gözlük Takın	Bu ürünü çalıştırırken daima göz koruması, yan siperleri olan koruyucu gözlük ya da tam yüz maskesi kullanın.
	Gürültü	Garanti edilen ses gücü seviyesi. Avrupa Birliği Yönetmeliği'ne göre çevre gürültü emisyonu.
	CE	Bu ürün, yürürlükteki AB yönetmeliklerine uygundur.
	UKCA	Bu ürün, yürürlükteki Birleşik Krallık yasalarna uygundur.
	WEEE	Atık elektrikli ürünler, evsel atıklar ile birlikte imha edilmemelidir. Yetkili bir geri dönüşüm merkezine teslim edilmelidir.
	Bıçak Uzunluğu	Bıçak uzunluğu
	Kesim Kapasitesi	Maks. bıçak kesim kapasitesi
	IP Sembolü	Su jetlerine karşı koruma
	Volt	Voltaaj
	Doğru Akım	Akım türü ve özelliği
	Dakika Başına	Dakika başına dönüş
	Milimetre	Uzunluk veya boyut
	Santimetre	Uzunluk veya boyut
	Yüksüz Hız	Yüksüz dönüş hızı

ELEKTRİKLİ ALETLER İÇİN GENEL GÜVENLİK UYARILARI

⚠ UYARI: Bu havuz aleti ile sağlanan tüm güvenlik uyarılarını, talimatları, çizimleri ve teknik özellikleri okuyun. Aşağıdaki talimatların tamamına uyulmaması elektrik çarpması, yangın ve/veya ciddi yaralanma ile sonuçlanabilir.

Tüm uyarı ve talimatları gelecekte başvuru amacıyla muhafaza edin.

Uyarılarda geçen "elektrikli alet" terimi ile elektrik prizinden beslenen (kablolu) elektrikli alet veya şarjlı (kablesuz) elektrikli alet kastedilmektedir.

ÇALIŞMA ALANI GÜVENLİĞİ

- Çalışma alanını temiz tutun ve yeterli aydınlatma sağlayın. Karışık veya karanlık alanlar kazalara yol açar.
- Elektrikli aletleri yanıcı sıvı, gaz veya toz vb. içeren patlayıcı ortamlarda çalıştırmayın. Elektrikli aletten çıkan kıvılcıklar toz veya gazları tutuşturabilir.
- Çalışırken çocukları veya üçüncü şahısları elektrikli aletten uzak tutun. Dikkatinizin dağılması kontrolü kaybetmenize neden olabilir.

ELEKTRİK GÜVENLİĞİ

- Elektrikli aletin fişi prize uygun olmalıdır. Fiş üzerinde asla değişiklik yapmayın. Topraklanmış elektrikli aletlerle birlikte adaptör fişlerini kullanmayın. Üzerinde değişiklik yapılmamış fişler ve uygun prizler elektrik çarpmaya tehlikesini azaltacaktır.
- Boru, radyatör, fırınlı ocak ve buzdolabı gibi topraklanmış yüzeylerle temastan kaçının. Vücudunuz toprakla temas ederse elektrik çarpmaya riski artar.
- Şarj cihazını yağmur veya ıslak ortamlara maruz bırakmayın. Şarj cihazının içine giren su, elektrik çarpmaya riskini artırır.
- Aküden gelen kabloyu yanlış kullanmayın. Kabloyu elektrikli aleti taşımak, çekmek veya prizden çıkarmak için kullanmayın. Kabloyu sıcağtan, yağdan, keskin kenarlardan veya hareketli parçalardan uzak tutun. Hasarlı veya birbirine dolaşmış kablolar elektrik çarpmaya riskini artırır.
- Bir elektrikli aleti açık havada kullanırken, uygun bir dış mekan uzatma kablosu kullanın. Dış mekan için uygun bir kablolu kullanılması elektrik çarpmaya riskini azaltır.
- Elektrikli aletin rutubetli bir ortamda kullanılması gerekiyorsa, kaçak akım rölesi bulunan bir şebeke kullanın. GFCI (toprak hata devre kesicisi) kullanımı elektrik çarpmaya riskini azaltır.

KİŞİSEL GÜVENLİK

- Elektrikli aletleri kullanırken daima dikkatli olun, yaptığınız işe yoğunlaşın ve sağduyulu davranın. Yorgunken, uyuşturucu, alkol veya ilaçlı tedavi etkisi altındayken elektrikli aleti kullanmayın. Elektrikli aletleri kullanırken bir anlık dikkatsizlik ciddi kişisel yaralanmayla sonuçlanabilir.
- Kişisel koruyucu ekipman kullanın. Daima koruyucu gözlük takın. Koşullara uygun toz maskesi, kaymaz emniyet ayakkabıları, kask veya işitme koruması vb. koruyucu ekipman kullanılması kişisel yaralanmaları azaltır.
- Yanlışlıkla çalıştırmaktan kaçının. Aleti güç kaynağına ve/veya pil takımına takmadan, havaya kaldırmadan veya taşımadan önce açma kapama düğmesinin kapalı olduğundan emin olun. Aleti, parmağınızın açma kapama düğmesi üzerinde dururken taşımak veya alet açırken fişi prize takmak kazalara davetiye çıkarır.
- Elektrikli aleti çalıştırmadan önce ayar veya İngiliz anahtarını varsa çıkarın. Elektrikli aletin döner parçalarına takılı kalmış bir anahtar kişisel yaralanmaya neden olabilir.
- Dengesiz bir duruşta çalışma yapmayın. Çalışma süresince ayaklarınızı sağlam basın ve dengeyi koruyun. Böyle yapılması, beklenmedik durumlarda elektrikli aletin daha iyi kontrol edilmesini sağlar.
- Uygun bir şekilde giyin. Bol giysiler giymeyin veya takı takmayın. Saçlarınızı ve elbiselerinizi hareketli parçalardan uzak tutun. Bol giysiler, takılar veya uzun saçlar aletin hareketli parçalarına takılabilir.
- Toz toplayıcı cihaz bağlantıları ve toplama tesisleri olması durumunda, bu bağlantıların düzgün yapılıp ve kullanılıyor olduğundan emin olun. Toz toplamanın kullanımı tozla ilgili tehlikeleri azaltabilir.
- Aletlerin sık kullanılmasından kaynaklanan aşınalığın sizin boş vermenize ve aletin güvenlik prensiplerini görmezden gelmenize sebep olmasına izin vermemeyi. Dikkatsiz bir hareket saniyenin binde birindeki bir sürede ağır bir yaralanmaya sebep olabilir.

ELEKTRİKLİ ALET KULLANIMI VE BAKIMI

- Elektrikli aleti zorlamayın. Yaptığınız işe uygun elektrikli aleti kullanın. Doğru elektrikli alet, tasarıma uygun değerlerde kullanıldığında daha iyi ve daha güvenli çalışacaktır.
- Açma kapama düğmesi çalışmıyorsa elektrikli aleti kullanmayın. Açma kapama düğmesi ile kontrol edilemeyen bir elektrikli alet tehlikelidir ve onarılması gerekir.

- Herhangi bir ayar işlemi, aksesuar değişimi veya elektrikli aletlerin saklanması öncesinde fişi prizden çekin ve/veya eğer çarıkabiliriyorsa aküyü elektrikli aletten çıkarın. Bu tür önleyici güvenlik önlemleri, elektrikli aletin yanlışlıkla çalışma riskini azaltacaktır.
- Çalıştırılmayan elektrikli aletleri çocuklardan uzak tutun ve elektrikli aletin kullanımına veya bu talimatlara aşına olmayan kimselerin elektrikli aleti çalıştırmalarına izin vermeyin. Elektrikli aletler eğitimli kullanıcıların elinde tehlikelidir.
- Elektrikli aletlere ve aksesuarlara bakım yapın. Hareketli parçaların kusursuz olarak işlev görüp görmediğini ve sıkışıp sıkışmadığını, parçaların hasarlı olup olmadığını ve elektrikli aletin çalışmasını etkileyebilecek tüm diğer koşulları kontrol edin. Elektrikli alet hasarlı ise, kullanmadan önce tamir ettirin. Kazaların çoğu, elektrikli alet bakımının yeterli şekilde yapılmamasından kaynaklanır.
- Kesici aletleri keskin ve temiz tutun. Keskin kesim kenarlarına sahip, bakımı yapılmış kesim aletleri daha az sorun çıkarır ve kontrolü kolaydır.
- Elektrikli aleti, aksesuarlarını ve alet uçlarını vb. çalışma şartlarını ve yapılacak işi dikkate alarak bu talimatlara uygun şekilde kullanın. Elektrikli aletin kullanım amacı dışındaki işlerde kullanılması tehlikeli durumlara neden olabilir.
- Tutma saplarını ve kavrama yüzeylerini kuru, temiz, benzin ve yağdan uzak tutun. Kaygan saplar ve kavrama yüzeyleri aletin beklenmeyen durumlarda güvenli bir şekilde tutulmasına izin vermezler.

PİLLE ÇALIŞAN ALETLERİNİN KULLANIMI VE BAKIMI

- Sadece üretici tarafından belirtilen şarj cihazı ile şarj edin. Bir pil takımı için uygun olan şarj cihazı, başka bir pil takımı ile kullanıldığında yangın riski oluşturabilir.
- Elektrikli aletleri sadece özel olarak üretilmiş pil paketleri ile kullanın. Başka pil paketlerinin kullanımı yaralanma ve yangın tehlikesi oluşturabilir.
- Pile paketinin kullanımda olmadığı durumlarda, pile paketini atış, bozuk para, anahtar, çivi, vida veya pil kutupları arasında kısa devre yapabilecek diğer metal nesnelere uzak tutun. Pile kutuplarının kısa devre edilmesi yangın veya yanıklara neden olabilir.
- Kötü şartlar altında pilden sıvı akabilir; temas etmekteyken kaçın. Yanlışlıkla temas edilirse, su ile yıkayın. Sıvı göze temas ederse, ayrıca tıbbi yardım alın. Pilden akan sıvı tahriş veya yanıklara neden olabilir.
- Tüm şarj talimatlarına uyun ve aküyü veya aleti talimatlarda belirtilen sıcaklık aralığının dışındaki sıcaklıklarda şarj etmeyin. Uygunsuz olarak şarj

etmek veya belirtilen sıcaklık aralığının dışındaki sıcaklıklarda şarj etmek aküye zarar verebilir ve yangın riskini artırır.

- Aküyü veya aleti hasarlı veya modifiye halde kullanmayın. Hasarlı veya modifiye edilmiş aküler yangın, patlama veya yaralanma riskine sebep olacak şekilde beklenmeye davranışlar gösterebilirler.
- Aküyü veya aleti ateşe veya aşırı sıcaklıklara maruz bırakmayın. Yangın veya 100 °C'nin üzerindeki sıcaklıklara maruz kalması patlamaya sebep olabilir.

SERVİS

- Güç aracı, sadece orijinal yedek parça kullanan yetkili bir servis elemanına tamir ettirin. Böylece güç aracı güvenliği korunmuş olacaktır.
- Asla hasarlı aküyü bakım yapmayın. Akülerin bakımı üretici veya yetkili servis sağlayıcıları tarafından sağlanmalıdır.

ÇİT BUDAMA MAKİNESİ GÜVENLİK UYARILARI

- Tüm vücut azalarınızı kesici bıçaktan uzak tutun. Bıçaklar hareket halindeyken kesim malzemesini çıkarmayın veya kesilecek malzemeyi tutmayın. Sıkışan malzemeleri çıkarırken açma kapama düğmesinin kapalı olduğundan emin olun. Çit budama makinesini çalıştırırken bir anlık gaflet, ciddi kişisel yaralanmalara neden olabilir.
- Çit budama makinesini, kesici bıçak çalışmıyorken sapından tutarak taşıyın. Çit budama makinesini taşıırken veya saklarken mutlaka kesici cihaz kılıfını takın. Çit budama makinesinin düzgün kullanılması kesici bıçaklar nedeniyle oluşacak kişisel yaralanmaları azaltacaktır.
- Testere zinciri, görünmeyen kablolar ile temas edebileceği için elektrikli aleti sadece yalıtımlı tutma yüzeylerinden tutun. "Canlı" (akım geçiren) bir kabloya temas eden testere zinciri elektrikli aletin metal kısımlarını da "canlı" yapabilir ve çalışan kişinin çarpılmasına neden olabilir.
- Akü kablosunu kesim alanından uzak tutun. Çalışma sırasında kablo çalılar arasında gizlenmiş olabilir ve bıçak tarafından yanlışlıkla kesilebilir.
- Çalışma öncesinde çit içinde tel örgü gibi yabancı cisimlerin bulunup bulunmadığını kontrol edin.
- Sadece koruması doğru şekilde takılmış olan çit budama makinesini kullanın. Doğru koruması bulunmayan çit budama makinesinin kullanılması ciddi kişisel yaralanmalara neden olabilir!
- Çit budama makinesini daima iki elinizle tutarak kullanın. Tek elin kullanılması kontrolün kaybedilmesine neden olarak ciddi kişisel yaralanmalara yol açabilir.

ÖNEMLİ GÜVENLİK TALİMATLARI

- Pili paketini yağmurlu veya ıslak ortamlarda şarj etmeyin.
- Atılmadan önce akü cihazdan çıkarılmalıdır.
- Çit budama makinesini havaya kaldırırken veya tutarken kesim bıçaklarından veya kesim kenarlarından kavramayın.
- Merdiven, çatı, ağaç veya diğer dengesiz destekler üzerinde kullanmayın. Sabit bir yüzey üzerine sağlam bir şekilde basılması, beklenmeyen durumlarda çit budama makinesinin daha iyi kontrol edilmesini sağlar.
- Çocukların budama makinesini kullanmasına asla izin vermeyin.
- Asla güvenlik cihazlarını sökmeyin veya üzerinde değişiklik yapmayın. Düzenli olarak bu cihazların düzgün çalıştığını kontrol edin. Asla bir güvenlik cihazının kullanım amacını engelleyecek veya güvenlik cihazı tarafından sağlanan korumayı azaltacak herhangi bir eylem gerçekleştirilmeyin.
- Bıçak ve motor montaj civatalarının tam sıkılmış olduklarını sık sık kontrol edin. Ayrıca, bıçağın hasarlı (örn. eğik, çatlak ve aşınmış) olup olmadığını görsel olarak kontrol edin. Bıçağı sadece EGO™ markalı bir bıçak ile değiştirin.
- Eğik veya çatlaksa bıçağı değiştirin. Balansı bozuk bir bıçak titreşime neden olarak motor tahrik birimine zarar verebilir ya da kişisel yaralanmaya neden olabilir.
- Cihaz anormal şekilde titremeye başlarsa, motoru derhal durdurun ve hemen nedenini kontrol edin.
- Budama makinesi (33mm) kalınlığa kadar olan kökleri kesmek için kullanılabilir.
- Hortumla yıkamayın; motor ve elektrik bağlantılarına su kaçırmamaya dikkat edin.
- Yağlama ve aksesuar değişimi için verilen talimatlara uyun.
- Tutma saplarını kuru, temiz, benzin ve yağdan uzak tutun.
- Bu talimatları saklayın. Talimatlara sık sık müracaat edin ve bu aleti kullanacak diğer kişileri bilgilendirmek için kullanın. Bu aleti başka birine ödünç verirken, ürünün yanlış kullanılmasını ve olası yaralanmaları önlemek için bu talimatları da ürünle birlikte verin.

BU TALİMATLARI SAKLAYIN!

TEKNİK ÖZELLİKLER

Volтаж	56 V ---	56 V ---
Bıçak hızı	1800 /min	1800 /min
Bıçak Uzunluğu	65 cm	75 cm
Kesim Kapasitesi	31 mm	31 mm
Aletin ağırlığı	4,1 kg	4,2 kg
Tavsiye Edilen Çalışma Sıcaklığı	0°C-40°C	0°C-40°C
Tavsiye Edilen Depolama Sıcaklığı	-20°C-70°C	-20°C-70°C
Ölçülen ses güç düzeyi L_{WA}	90,1 dB(A) K=2,9 dB(A)	95,4 dB(A) K=1,52 dB(A)
Operatörün duyduğu ses güç düzeyi L_{PA}	80,1 dB(A) K=3 dB(A)	83,9 dB(A) K=2,5 dB(A)
Garanti edilen ses güç düzeyi L_{WA} (2000/14/EC uyarınca)	93 dB(A)	97 dB(A)
Titreşim a_h	Arka Tutma Sapı	3,2 m/s ² K=1,5 m/s ²
	Ön Tutma Sapı	3,9 m/s ² K=1,5 m/s ²
		2,872 m/s ² K=1,5 m/s ²
		3,536 m/s ² K=1,5 m/s ²

- Bildirilen toplam titreşim değeri standart test yöntemine uygun olarak ölçülmüştür ve bir cihazı diğer bir cihaz ile karşılaştırmak için kullanılabilir.
- Bildirilen toplam titreşim değeri ayrıca bir maruz kalma değerlendirmesinde de kullanılabilir.

UYARI: Elektrikli aletin gerçek kullanımını sırasında meydana gelen titreşim emisyonu aletin kullanım şekline bağlı olarak bildirilen değerden farklı olabilir; Operatörü korumak için, kullanıcı gerçek kullanım koşullarında eldiven ve kulak koruması takmalıdır.

AMBALAJ LİSTESİ

PARÇA ADI	MIKTAR
Çit budama makinesi	1
Siper	1
Kullanma kılavuzu	1

AÇIKLAMA

ÇİT BUDAMA MAKİNESİNİZİ TANIYIN (ŞEK. A)

1. Uç Korumucu
2. Bıçak
3. Bıçak Koruması
4. Ön Anahtar Kolu
5. Ön Tutma Sapı
6. Kilitleme Düğmesi
7. Arka Anahtar Kolu
8. Arka Tutma Sapı
9. "U" kanca
10. Priz
11. El Koruması
12. Siper

⚠ UYARI: Bu ürün tamamen monte edilmiş olarak gönderilir. Cihaz kullanılırken el koruması asla çıkarılmamalıdır. Hasarlıysa, derhal yetkili bir servis teknisyeni tarafından onarılmasını sağlayın.

⚠ UYARI: Bu ürünün güvenli şekilde kullanılması, proje bilgisinin yanı sıra alet üzerinde ve bu kullanım kılavuzunda yer alan bilgilerin anlaşılmasını gerektirir. Bu ürünü kullanmadan önce, tüm çalışma özelliklerini ve güvenlik kurallarını öğrenin.

ÇALIŞTIRMA

⚠ UYARI: Ürüne aşına olmanız sizi dikkatsiz yapmasını. İkinci dereceden bir dikkatsizliğin ciddi yaralanmalara neden olmak için yeterli olduğunu unutmayın.

⚠ UYARI: Daima yan siperleri olan göz koruması kullanın. Kulak koruması ile birlikte kullanın. Böyle yapılmaması sonucu gözlerinize fırlayan nesnelere ciddi kişisel yaralanmalara neden olabilir.

⚠ UYARI: Ciddi kişisel yaralanmalara neden olabilen yanlışlıkla çalışmayı önlemek için, parçaları monte ederken, ayar yaparken, temizlikten önce ve ürün kullanımda değilken daima pil takımını aletten çıkarın.

⚠ UYARI: EGO™ tarafından önerilmeyen parça veya aksesuarları kullanmayın. Önerilmeyen parça veya aksesuarların kullanılması ciddi kişisel yaralanmalara neden olabilir.

Her kullanımdan önce ürünü inceleyerek hasarlı, eksik veya vida, somun, civata, kapak vb. gevşek parça olup olmadığını kontrol edin. Tüm bağlantı parçalarını ve kapakları düzgünce sıkın, bu ürünü eksik veya hasarlı parçalar tamamlanmadan çalıştırmayın.

Ürün yağmurda kullanılabilir.

PİL PAKETİNİN TAKILMASI/ÇIKARILMASI

Sadece şek. A'da listelenen pil paketi ve şarj cihazlarını kullanın.

İlk kullanımdan önce şarj edin.

Takmak için (Şek. B & C & D)

Fiş ve çit budama makinesindeki ▲ logo aynı hizada olacak şekilde, fişi çit budama makinesine yeşil conta prizde tamamen kaybolana kadar sokun.

Akü kablosunu "U" kancaya monte edin.

Çıkarmak için (Şek. E)

Akü kablosunu "U" kancadan çıkarın ve fişi çit budama makinesinden çekerek çıkarın.

ÇİT BUDAMA MAKİNESİNİ ÇALIŞTIRMA/DURDURMA

Çalıştırmadan önce, siperi çıkarın ve bir eliniz arka tutma sapında ve diğer eliniz ön tutma sapında olmak üzere çit budama makinesini iki elinizle tutun. Ardından, dengeli ve doğru bir duruş ile doğru kesim mesafesi olmasını sağlayın.

⚠ UYARI: Çit budama makinesini tutmak için daima iki elinizi kullanın. Asla bir elinizle çalıları tutarken diğer elinizle budama makinesini çalıştırmayın. Bu uyarının dikkate alınmaması ciddi yaralanmalara yol açabilir.

⚠ UYARI: Çit budama makinesini durdururken, aküyü çıkarmadan önce kilitleme düğmesini "OFF" (Kapalı) konumuna getirin. Bu uyarının dikkate alınmaması ciddi yaralanmalara sebep olabilir.

Başlatmak için

Kilitleme düğmesini "ON" (Açık) (Şek. F) konumuna getirin ve ardından arka anahtar koluna basın. Başlatmak için arka anahtar kolunu basılı tutarak, ön anahtar koluna basmaya devam edin.

Şek. F parça açıklaması aşağıdaki gibidir:

F-1	Kilitleme Düğmesi
F-2	Arka Anahtar Kolu

Durdurmak için

Durdurmak için arka anahtar kollarından birini serbest bırakın ve kazara çalışmasını önlemek için kilitleme düğmesini "OFF" (Kapalı) konumuna getirin.

UYARI: Çit budama makinesini başlatmak için her iki anahtar koluna birden basılması gerekir.

ÇİT BUDAMA MAKİNESİNİN TUTULMASI

Bıçağı kendinizden uzak şekilde, ön ve arka kolu ayrı ayrı kavrayarak budama makinesini iki elinizle tutun. Farklı kesim işlemleri için üç adet uygun tutma yönü mevcuttur (Şek. G, H ve I).

ÇİT BUDAMA MAKİNESİNİN KULLANIMI

⚠️ UYARI: Bıçağın elektrik kablosu veya hattına takılması/sıkışması durumunda **BIÇAĞA DOKUNMAYIN! BIÇAĞ ELEKTRİKSEL OLARAK AKIM ALTINDA OLABİLİR VE ÇOK TEHLİKELİDİR.** Çit budama makinesini yalıtımlı arka sapından tutmaya devam edin veya yere yatırın ve sizden uzak bir şekilde tutun. Bıçağı kablodan kurtarmaya çalışmadan önce hasarlı elektrik hattına giden elektrik beslemesini kesin. Bu uyarıya uyulmadığı takdirde, ciddi kişisel yaralanmalar veya ölüm tehlikesi söz konusudur.

⚠️ UYARI: Ciddi kişisel yaralanmaları önlemek için ellerinizi bıçaklardan uzak tutun. Bıçaklar hareket halindeyken kesilen malzemeyi çıkarmayın veya kesilecek malzemeyi tutmayın. Sıkışan malzemeyi bıçaklardan çıkarırken bıçakların tamamen durmuş ve pil takımının çıkarılmış olduğundan emin olun. Makineyi havaya kaldırırken veya tutarken kesim bıçaklarından veya kesim kenarlarından kavramayın.

⚠️ UYARI: Her kullanımdan önce kesilecek alanı temizleyin. Kesim bıçağına takılabilecek ve ciddi kişisel yaralanmalara yol açabilecek kablo, dal, tel veya sicim vb. tüm nesnelere temizleyin.

⚠️ UYARI: Yoğun çalılık içine daldırarak bir defada çok fazla budama yapmaktan kaçının. Böyle yapılması bıçakları engelleyip yavaşlatarak kesim verimini düşürür.

UYARI: Yeni filizleri budarken geniş bir süpürme hareketi yaparak dalların doğrudan kesim bıçağına beslenmesini sağlayın. Daha yaşlı dallar daha kalın köklere sahiptir ve kesme hareketi ile daha kolay kesilecektir. Geniş dalları budamak için el testeresi veya budama testeresi önerilir.

Üstten Kesim

Geniş bir süpürme hareketi yaparak kullanın. Kesim bıçaklarının hareket yönünde hafif aşağıya eğilmesi en iyi kesim sonuçlarını sağlar. Daha iyi kesim etkisi için, Şek D'de gösterildiği gibi çit seviyesini yönlendirmek üzere bir ip kullanabilirsiniz.

Yandan Kesim

Çitin yanlarını budarken, Şek. K de gösterildiği gibi alttan başlayarak yukarı doğru kesin.

Uç Koruyucu

Uç koruyucu (Şek. L) bıçağın dış ucunu korumak için kullanılır.

Bıçak Koruması

Bıçakların dış kısmı bıçak koruması olarak biçimlendirilmiştir (Şek. M).

Şek. M parça açıklaması aşağıdaki gibidir:

M-1	Bıçak
M-2	Bıçak Koruması

⚠️ UYARI: Her zaman bıçak muhazasının hasarlı veya eğilmiş olup olmadığını kontrol edin. Bükülmüş veya hasarlı ise değiştirin.

BAKIM

⚠️ UYARI: Bakım ve onarım sırasında birbir aynı yedek parçaları kullanın. Diğer parçaların kullanılması tehlike oluşturabilir veya ürünün hasar görmesine neden olabilir. Güvenliği ve güvenilirliği sağlamak için, tüm onarım işlemleri yetkili bir servis teknisyeni tarafından gerçekleştirilmelidir.

⚠️ UYARI: Ciddi kişisel yaralanmaları önlemek için, temizlik veya bakım işlemi gerçekleştirirken daima pil paketini üründen çıkarın.

TEMİZLİK

- Yumuşak bir fırça kullanarak tüm hava girişlerindeki ve kesim bıçaklarındaki artıkları temizleyin.
- Zift ve diğer yapışkan artıkları çıkarmak için, bıçaklara reçinel solvent püskürtün. Motoru yavaşça çalıştırın, böylece solvent eşit olarak dağılmış olur.
- Yüzeyini kuru bir bezle temizleyin.

⚠️ UYARI: Plastik parçaları temizlerken çözücü maddeler kullanmaktan kaçının. Çoğu plastik parça çeşitli tip ticari solventlerden zarar görebilir. Kir, toz, yağ, gres, vb. gidermek için temiz bez kullanın.

BIÇAĞIN KESKİNLEŞTİRİLMESİ

1. Pili takımını çit budayıcıdan çıkarın.
2. AHB6500S/AHB7500S: Bıçak aksamını bir mengeneye takın ve her bıçak dişinin açık kesme yüzeyini bileyin. Olabildiğince az malzeme kaldırın. AHB6500/AHB7500 (Bıçak yüzeyinde "S" ve "SERTLEŞTİRİLMİŞ"): Bıçak aksamını bir mengeneye takın ve açık kesme yüzeyini elmas zımpara veya düşük hızlı bir taşlama makinesi (Dönüş hızı <2500 min⁻¹, Besleme hızı <60mm/min., Ağ sayısı >100) ile zımparalayın. Olabildiğince az malzeme kaldırın.
3. Çit budayıcıyı mendeneden çıkarın ve keskinleştirilmemiş bıçağın konumunu ayarlayın.

Bütün bıçak dişleri keskinleşene kadar yukarıdaki adımları tekrarlayın.

UYARI: Çit budayıcınızı kör veya hasarlı bıçaklarla çalıştırmayın. Aksi takdirde bu alete aşırı yüklemeye sebep olabilir ve yetersiz sonuçlar elde etmenize sebep olabilir.

UYARI: Normal metal eğe AHB6500/AHB7500 özel bıçağını keskinleştirmek için elverişli değildir.

UYARI: Kesme bıçağını keskinleştirmek için düşük hızlı taşlama makinasını (Dönüş hızı <2500 dak⁻¹) kullanırken, bıçak dişlerini taşlama esnasında sürekli olarak ıslatın.

ÇİT BUDAMA MAKİNESİNİN YAĞLANMASI

⚠ UYARI: Çit budama makinesini hâlâ akü takılıyken ya da çalışırken yağlamayın.

Bıçağın yağlanması

En iyi çalışma ve daha uzun bıçak ömrü için, her kullanımdan önce ve sonra çit budama makinesinin bıçağını hafif makine yağıyla yağlayın.

Aküyü çıkarın ve budama makinesini düz bir yüzeye yerleştirin. Üst bıçağın kenarı boyunca yağ uygulayın (Şek. N).

Dişli kutusunun yağlanması

En iyi çalışma ve daha uzun kullanım ömrü için, her 50 saatlik çalışmadan sonra özel bir gresle (her defasında yaklaşık 5-6g #1'de ve 10-12g #2'de) çit budama makinesinin dişli kutusunu yağlayın.

Özel yağ aşağıdaki gereksinimleri karşılamalıdır.

1. DIN51818: NLGI-2 koni penetrasyon derecesinden.
2. Poliüre kıvam arttırıcılar + sentetik yağlama yağından oluşan
3. Mükemmel düşük sıcaklıkta devreye alma, EP, mekanik kesme, aşınma direnci ve oksidatif stabilite özellikleri.
4. Çalışma sıcaklığı -40~180°C arasında olmalıdır.

Akü fişini ve iki contayı sökün (Şek. O). Dişli kutusunun yağ deliğinden yağlanması.

UYARI: Dişli kutusunu tamamen yağ ile doldurmayın.

TAŞIMA VE DEPOLAMA

- Çit budama makinesini depolamadan veya taşımadan önce daima siperi bıçağa yerleştirin. Bıçağın keskin dişlerine karşı dikkatli olun.
- Çit budama makinesini saklamadan önce tamamen temizleyin.
- Çit budama makinesini çocukların ulaşamayacağı, kapalı ve kuru bir yerde saklayın.
- Bahçe kimyasalları ve eritici tuzlar gibi aşındırıcı maddelerden uzak tutun.

⚠ UYARI: Bıçaklar keskindir. Bıçak düzeneğine dokunurken kaymaz, ağır iş eldivenleri takın. Elinizi veya parmaklarınızı bıçakların arasına veya sıkışmalarına veya kesilmelerine neden olabilecekleri herhangi bir yere yerleştirmeyin. ASLA bıçaklara dokunmayın veya cihaza pil paketi takılı durumdayken bakım ve onarım yapmayın.

Çevre koruması



Elektrikli cihazları, kullanılmış aküyü ve şarj cihazını evsel atıklarla bertaraf etmeyin! Bu ürünü yetkili bir geri dönüşüm merkezine götürün ve ayrı bir şekilde toplanmasını sağlayın. Elektrikli aletler çevreyle uyumlu bir geri dönüşüm tesisine götürülmelidir.

SORUN GİDERME

SORUN	NEDENİ	ÇÖZÜM
Çit budama makinesi çalışmıyor.	<ul style="list-style-type: none"> ■ Akü çit budama makinesine takılı değildir ve çit budama makinesi ve akü arasında elektrik bağlantısı yoktur. ■ Pil paketi boş.. ■ Kilitleme düğmesi anahtar kollarına basılmadan önce "ON" (Açık) konumuna getirilmemiş. ■ Akü veya çit budama makinesi çok sıcak. ■ Bıçak sıkışmış. ■ Çit budama makinesine aşırı yüklenilmiştir. 	<ul style="list-style-type: none"> ■ Aküyü çit budama makinesine yeniden takın. ■ Aküyü belirtilen şarj cihazı ile şarj edin. ■ Budama makinesini kullanmadan önce kilitleme düğmesinin açık olduğundan emin olun. ■ Akü veya çit budama makinesinin sıcaklık normal sıcaklığa gelene kadar soğumasını bekleyin. ■ Aküyü aletten çıkarın. Engeli dikkatle çıkarın ve aküyü tekrar geri takarak aleti yeniden başlatın. ■ Makinenin yükünü azaltın.
Aşırı titreşim veya gürültü.	<ul style="list-style-type: none"> ■ Kuru veya paslı bıçaklar. ■ Bıçaklar veya bıçak desteği eğilmiş. ■ Eğik veya hasarlı dişler. ■ Gevşek bıçak civataları. 	<ul style="list-style-type: none"> ■ Bıçakları yağlayın. ■ Yeni bir bıçakla veya destekle değiştirin. Bıçak veya destek değiştirme için EGO servis merkeziyle irtibata geçin. ■ Yeni bir bıçakla değiştirin. Bıçak değişimi için EGO servis merkeziyle irtibata geçin. ■ Bıçak civatalarını sıkın. Bir ingiliz anahtar ile civatayı saat yönünde çevirerek sıkın.

GARANTİ

EGO GARANTİ POLİTİKASI

EGO Garanti politikasına ilişkin tüm hüküm ve koşullar için, lütfen egopowerplus.eu adresindeki web sitemizi ziyaret edin.

TR

LUGEGE KÕIKI JUHISEID!



LUGEGE KASUTUSJUHENDIT

⚠ HOIATUS: Ohutuse ja töökindluse tagamiseks tohivad seda seadet remontida ainult vastava kvalifikatsiooniga hooldustehnikud.

OHUTUSSÜMBOLID

Ohutussümbolite eesmärk on tõmmata teie tähelepanu võimalikele ohtudele. Ohutussümbolitele ja nende juures olevatele seletustele tuleb korralikult tähelepanu pöörata ja need endale selgeks teha. Ohutussümbolid iseenesest ei kõrvalda ohu olemasolu.

Nendega kaasnevad juhendid ja hoiatused ei asenda korralikke õnnetuste vältimise meetmeid.

⚠ HOIATUS: Enne käesoleva seadme kasutamist lugege kindlasti läbi ja tehke endale selgeks kõik Kasutusjuhendis toodud ohutusjuhised, sh kõik ohutussümbolid nagu „OHT“, „HOIATUS“ ja „ETTEVAATUST“. Kui kõiki allpool loetletud juhiseid ei järgita, võib tagajärjeks olla elektrilöökk, tulekahju ja/või tõsised isikuvigastused.

SÜMBOLITE TÄHENDUSED

TURVATEATE SÜMBOL Tähistusega OHT, HOIATUS, või ETTEVAATUST. Võidakse kasutada koos teiste sümbolite või piktograafidega.

⚠ HOIATUS: Mis tahes elektriliste tööriistade kasutamine võib põhjustada võõrkehade paiskumist silma, mis võib põhjustada tõsisid silmakahjustusi. Kandke elektriliste tööriistade kasutamise ajal alati külgkaitsetega kaitseprille ja vajadusel täielikku näokitset. Soovitame kanda prillide peal laia vaatealaga kaitsemaski või tavalisi külgkaitsetega kaitseprille.

ET

OHUTUSJUHISED

Sel lehel on kujutatud ja kirjeldatud ohutusesümboliteid, mida võib käesolevalt tootelt leida. Enne, kui üritate masinat kokku panna ja kasutada, lugege, tehke omale selgeks ja järgige kõiki juhiseid.

	Ohutusteade	Viitab kehavigastuste ohule.
	Lugege kasutusjuhendit	Vigastuste ohu vähendamiseks peab kasutaja lugema kasutusjuhendit.
	Hoidke käed ja jalad löökrist eemal	Ärge püüdke kunagi oma seadet ühe käega kasutada. Seadme üle kontrolli kaotamine võib kaasa tuua tõsise või eluohtliku vigastuse. Lõikevigastuste riski vähendamiseks hoidke käsi ja jalgu löökterast eemal. Ärge puudutage liikuvat löökterast kunagi oma käega või mõne muu kehaosaga.
	Kandke kaitseprille	Kandke selle toote kasutamise ajal alati kaitseprille või külgkaitsetega kaitseprille ja täielikku näokitset.
	Müra	Garanteeritud helivõimsuse tase. Seadme müra keskkonnas on Euroopa Ühenduse direktiivi vastavuses.
	CE	Toode vastab rakendatavatele EÜ direktiividele.
	UKCA	See toode vastab asjakohastele UK seadustele.
	WEEE	Elektriseadmete jäätmeid ei tohi visata olmejäätmetesse. Viige heaks kiidetud taaskäitleja juurde.
	Tera pikkus	Tera pikkus
	Lõikevõimsus	Tera maksimaalne lõikamisjõudlus
	JP-sümbol	Kaitse veejuga eest
	V	Pinge
	alalisvool	Voolu tüüp või omadus
	.../min	Pööret minutis
	mm	Pikkus või suurus
	cm	Pikkus või suurus
	n ₀	Tühikäigu kiirus

ÜLDISED MOOTORIGA TÖÖRIISTADE HOIATUSED

⚠ HOIATUS: Lugege läbi kõik elektritööriistaga kaasas olevad hoiatused, juhised, joonised ja andmed. Alltoodud juhiste eiramine võib põhjustada elektrilööki, tulekahju ja/või tõsiseid vigastusi.

Säilitage hoiatused ja juhised hilisemaks kasutuseks.

Hoiatuses kasutatud termin "mootoriga tööriist" viitab voolu jõul (juhtmega) töötavale mootoriga tööriistale või aku jõul töötavale (juhtmata) tööriistale.

TÖÖPIIRKONNA OHUTUS

- **Tööpiirkond peab olema puhas ja hästi valgustatud.** Segadus või valgustamata tööpiirkonnad suurendavad õnnetuste tõenäosust.
- **Ärge kasutage mootoriga tööriista plahvatusohtlikes keskkondades, näiteks kergesti süttivate vedelike, gaaside või tolmu läheduses.** Mootoriga tööriistad tekitavad sädemeid, mis võivad süüdata tolmu või aursid.
- **Mootoriga tööriistadega töötamisel hoidke lapsed ja kõrvalseisjad eemal.** Tähelepanu hajumisel võite kaotada kontrolli seadme üle.

ELEKTRILINE OHUTUS

- **Elektrilised tööriistad tuleb ühendada sobivasse pistikupessa.** Ärge kunagi muutke pistikut mitte mingil viisil. Ärge kasutage koos (maandatud) mootoriga tööriistadega pistikuadaptereid. Muutmata pistikud ja sobivad pistikupesad vähendavad elektrilöögi ohtu.
- **Vältige kehalist kontakti maandatud pindadega (nt torud, radiaatorid, katted, külmikud).** Kui teie keha on maandatud, suureneb elektrilöögi oht.
- **Ärge jätke elektrilisi tööriista vihma kätte ega niiskettesse tingimustesse.** Vee sattumine elektrilise tööriista sisse suurendab elektrilöögi ohtu.
- **Ärge kasutage akuploki juhtme suhtes liigset jõudu.** Ärge kasutage juhet elektritööriista kandmiseks või tõmbamiseks ja ärge tõmmake juhtmest, kui soovite pistikut pistikupesast eemaldada. Vältige juhtme kokkupuudet kuumade objektide, õli, teravate äärte või liikuvate osadega. Kahjustatud või puntras juhtmest suurendavad elektrilöögi ohtu.
- **Elektrilise tööriistaga välitingimustes töötamiseks kasutage välitingimustesse sobivat pikendusjuhet.** Välitingimustesse sobiva juhtme kasutamine vähendab elektrilöögi ohtu.
- **Kui peate kindlasti tööriista märjas kohas kasutama, kasutage seadet, mille toite tagab jääkvooluseade (RCD).** RCD kasutamine vähendab elektrilöögi ohtu.

ISIKLIK OHUTUS

- **Olge tähelepanelik, töötage hoolikalt ja kasutage tervet mõistust.** Ärge kasutage mootoriga tööriista, kui olete väsinud, või rohtude, alkoholi või narkootikumide mõju all. Vaid hetkeline tähelepanematus mootoriga tööriista kasutamisel võib põhjustada raskeid kehavigastusi.
- **Kasutage isikukaitsevahendeid. Kandke silmakaitsevahendeid.** Töötingimustele vastava kaitsevarustuse (nt tolmu maski, mittelibisevate turvakingade, tugeva peakatte või kuulmiskaitsete) kasutamine vähendab kehavigastuste ohtu.
- **Vältige soovimatut käivutumist. Veenduge, et lüliti on mitteaktiivses asendis enne kui ühendate vooluvõrgu või akuplokiga ning enne seadme kandmist või üles tõstmist.** Elektritööriistade kandmine sõrme lülilit hoides või aktiivses olekus lülitiga põhjustab õnnetusi.
- **Enne tööriista sisselülitamist eemaldage sellelt kohandusvõtmed ja mutrivõtmed.** Tööriista pöörleva osa külge unustatud tööriistad võivad põhjustada kehavigastusi.
- **Ärge küünitage liiga kaugelt.** Töötage ainult kindlal maapinnal ja kohtades, kus pole ohtu tasakaalu kaotada. Nii säilitate tööriista üle ootamatutes olukordades parema kontrolli.
- **Riietuge asjakohaselt.** Ärge kandke ehteid ega avaraid riideid. Vältige oma juuste ja riiete kokkupuudet liikuvate osadega. Liiga avarad riided, ehted ja pikad juuksed võivad liikuvate osade vahele kinni jääda.
- **Kui tootega on kaasas vahendid tolmu kogumise- ja väljavõtuseadmete ühendamiseks, veenduge, et need seadmed on korralikult ühendatud ja korrektses kasutuses.** Tolmu kogumisseadmete kasutamine vähendab tolmu seotud ohtusid.
- **Kui seade on teile sagedase kasutamise tulemusel harjumuspäraseks saanud, ärge laske ennast lõdvaks ega ignoreerige tööriista kasutamise ohutusreegleid.** Hooletuse tõttu võite saada tõsiseid vigastusi ka sekundi murdosa jooksul.

AKUSEADMETE KASUTAMINE JA HOOLDUS

- **Ärge rakendage tööriista kasutamisel jõudu.** Kasutage konkreetselt tööks sobivat tööriista. Sobiva tööriistaga sobival kiirusel töötades, saate töö valmis kiiresti ja ohutult.
- **Ärge kasutage tööriista, mida ei saa lülitist sisse ja välja lülitada.** Elektrilised tööriistad, mille lüliti ei tööta, on ohtlikud ja tuleb parandada.
- **Eemaldage juhe vooluvõrgust ja/või akuplokk**

seadme küljest, kui see on eemaldatav, enne seadme kohandamist, tarvikute vahetamist või elektritööriista hoiustamist. Need ohutusmeetmed vähendavad seadme tahtmatu käivitamise võimalust.

- **Tööriistu, mida te hetkel ei kasuta, hoidke lastele kättesaamatus kohas ning ärge lubage nendega töötada isikule, kes pole tööriistade tööpõhimõtetele või käesoleva juhendiga tutvunud.** Koolitamata isikute käes on elektrilised tööriistad ohtlikud.
- **Hooldage nii elektritööriistu kui tarvikuid. Veenduge, et liikuvad detailid on õiges asendis, terved ja niisuguses töökorras, mis tagab seadme ohutu kasutamise.** Kahjustatud seade tuleb enne kasutamist parandada. Halvasti hooldatud tööriistad põhjustavad palju õnnetusi.
- **Hoidke oma tööriistu teravate ja puhastena.** Korralikult hooldatud ja teravate servadega lõikeääred ei paindu nii kergesti ja on lihtsamini juhitud.
- **Kasutage tööriista, selle lisakomponente, tööriistaosi jm vastavalt käesolevale juhendile, võttes arvesse töötingimusi ja teostatavat tööd.** Tööriista mitte-eesmärgipärane kasutamine võib põhjustada ohtlikke olukordi.
- **Hoidke käepidemed ja haardepinnad kuivad, puhtad ja vältige õli ja rasva sattumist seadmele.** Libedad käepidemed ja haardepinnad takistavad seadme ohutut kasutamist ja käsitsemist ootamatutes olukordades.

AKUSEADMETE KASUTAMINE JA HOOLDUS

- **Kasutage laadimiseks ainult tootja poolt ette nähtud laadijaid.** Akulaadija, mis sobib teatud tüüpi akuplokkidele, võib põhjustada tulekahju ohtu, kui seda kasutada mõne teise akuplokkiga.
- **Kasutage elektrilisi tööriistu ainult nende jaoks ette nähtud akuplokkidega.** Mõne muu akuploki kasutamine võib põhjustada vigastuste ja tulekahju ohtu.
- **Kui akut ei kasutata, hoidke seda eemal muudest metallesemetest nagu kirjaklambritest, müntidest, võtmetest, naeltest, kruvidest ja muudest väikestest metallesemetest, mis võivad klemmide vahel ühenduse luua.** Aku klemmide lüühiühendus võib põhjustada põletushaavu ja tulekahju ohtu.
- **Valedes tingimustes kasutamisel võib akut vedelikku välja tulla; vältige kokkupuudet sellega.** Kokkupuute tekkimisel loputage veega. Kui vedelik satub silma, pöörduge lisaks ka arsti poole. Akust väljuv vedelik võib põhjustada ärritust või põletusi.
- **Järgige kõiki laadimisjuhiseid ja ärge laadige akuplokki või seadet vale temperatuuri juures (vt.**

juhised). Valesti või valel temperatuuril laadimine võib kahjustada akut ja suurendada tulekahju ohtu.

- **Ärge kasutage kahjustunud või modifitseeritud akuplokki või tööriista.** Kahjustunud või modifitseeritud akud võivad toimida ettearvamatu, mille tagajärjeks võivad olla tulekahju, plahvatus või vigastuste oht.
- **Vältige akuploki või tööriista kokkupuudet tule või liiga kõrge temperatuuriga.** Kokkupuude lahtise tule või temperatuuriga üle 100 °C võib põhjustada plahvatus.

HOOLDUS

- **Laske oma akutööriista hooldada kvalifitseeritud remonditehnikul, kes kasutab ainult identseid originaalvaruosi.** See tagab akuploki ohutuse säilimise.
- **Ärge kunagi kasutage kahjustunud akuplokki.** Akuplokkide hooldust võib teostada ainult tootja või volitatud teeninduskeskus.

HEKITRIMMERI TURVAHOIATUSED

- **Vältige kehaosade kokkupuudet lõikuri teraga.** Ärge eemaldage lõigatud tükke ega hoidke lõigatavat objekti, kui terad liiguvad. Enne kinnijäänud tükide eemaldamist veenduge, et lüliti on mitteaktiivses asendis. Isegi hetkeline tähelepanematus hekitrimmeri kasutamise ajal, võib põhjustada tõsiseid vigastusi.
- **Hekitrimmerit käepidemest hoides teise kohta kandes peab lõikuri tera peatatud olema.** Hekitrimmeri transportimisel või hoiustamisel paigaldage lõikeseadmele alati kate. Hekitrimmeri korrektne käsitsemine vähendab lõiketerade tekitatavate vigastuste ohtu.
- **Hoidke tööriista ainult isoleeritud kinnihoidmiskohtadest, sest lõiketera võib puutuda kokku peidetud juhtmetega.** Kui lõiketerad puutuvad kokku voolu all olevate juhtmetega, võib elektrit levida tööriista katmata metallosadele ja anda kasutajale elektrilöögi.
- **Vältige aku juhtmete sattumist lõiketerade tööpiirkonda.** Töö ajal võib juhe olla põosaokste varjus ning te võite selle kogemata maha lõigata.
- **Enne töö alustamist veenduge, et hekis pole võõrkehi (nt võrkaia tükke).**
- **Kasutage ainult hekitrimmerit, mille turvakate on korrektselt paigaldatud.** Ilma korrektselt paigaldatud turvakatteta trimmeri kasutamine võib põhjustada raskeid vigastusi!
- **Hekitrimmeriga töötades kasutage mõlemat kätt!** Ainult ühe käe kasutamisel võite kaotada seadme üle kontrolli ja saada raskeid vigastusi.

OLULISED OHUTUSJUHISED

- Ärge laadige akuplokki niisketes ega märgades tingimustes.
- Akuplokk tuleb seadmelt enne selle tööea lõppu eemaldada.
- Hekitrimmerit kandes või kätte võttes ärge hoidke kinni lõiketeradest.
- Ärge kasutage seadet seistes redelil, katusel, puu otsas või muudes ebaturvalistes kohtades. Stabiilne jalgealus kindlal maapinnal tagab ootamatutes olukordades parema kontrolli hekitrimmeri üle.
- Ärge lubage lastel hekitrimmeriga töötada.
- Ärge kunagi eemaldage ega rikkuge turvaseadmeid. Kontrollige regulaarselt nende korrasolekut. Ärge kunagi tehke midagi, mis võiks segada turvaseadme funktsioneerimist või vähendada turvaseadme pakutavat kaitset.
- Kontrollige tihti, kas tera ja mootori paigalduspoldid on piisavalt tugevalt kinni. Samuti kontrollige visuaalselt, kas tera on kahjustusteta (paindumata ning mõradeta ja kulumistunnusteta) Vahetage lõiketera ainult EGO™ toodetud tera vastu.
- Paindunud või mõranenud tera tuleb välja vahetada. Tasakaalustamata tera põhjustab vibratsiooni, mis võib kahjustada mootori ajamit või põhjustada kehavigastusi.
- Kui seade peaks ebanormaalselt vibreerima hakkama, peatage motor ja otsige koheselt vibreerimise põhjust.
- Trimmeriga tohib lõigata tüvesid, mille paksus on väiksem kui 33mm.
- Ärge puhastage trimmerit voolikuga, vältige vee sattumist mootorisse ja elektriühenduste peale.
- Järgige määrimise ja komponentide vahetamise juhiseid.
- Hoidke käepidemed kuivana, puhtana ja vältige õli ja rasva sattumist seadmele.
- Hoidke see kasutusjuhend alles. Lugege seda sageli ning kasutage seda, et seadet sageli kasutavaid isikuid välja õpetada. Kui te seadet kellelegi laenate, andke sellega kaasa ka käesolev kasutusjuhend, et vältida seadme väärkasutamist ja võimalikke vigastusi.

HOIDKE SEE KASUTUSJUHE ALLES!

SPETSIFIKATSIOONID

Pinge	56 V ---	56 V ---	
Tera kiirus	1800 /min	1800 /min	
Tera pikkus	65 cm	75 cm	
Lõikevõimsus	31 mm	31 mm	
Tööriista kaal	4,1 kg	4,2 kg	
Soovituslik töökeskkonna temperatuur	0°C-40°C	0°C-40°C	
Soovituslik hoiustamise temperatuur	-20°C-70°C	-20°C-70°C	
Möödetud helirõhu tase L_{WA}	90,1 dB(A) K=2,9 dB(A)	95,4 dB(A) K=1,52 dB(A)	
Helirõhk seadme operaatori kõrva juures L_{PA}	80,1 dB(A) K=3 dB(A)	83,9 dB(A) K=2,5 dB(A)	
Garanteeritud helivõimsuse tase L_{WA} (vastavalt 2000/14/EN)	93 dB(A)	97 dB(A)	
Vibratsioon a_n	Tagumine käepide	3,2 m/s ² K=1,5 m/s ²	2,872 m/s ² K=1,5 m/s ²
	Eesmine käepide	3,9 m/s ² K=1,5 m/s ²	3,536 m/s ² K=1,5 m/s ²

- Ametlik vibratsioonitaseme näit on möödetud standardsete testmeetodite kohaselt ja seda võidakse kasutada erinevate tööriistade võrdlemiseks.
- Ametlikku vibratsioonitaseme näitu võib kasutada ka alge kokkupuutehinnangu andmiseks.

MÄRKUS: Tegelikul kasutamisel tekkiv vibratsioonitase või ametlikult märgitud erineva; turvalisuse eesmärgil peaks seadme kasutaja kandma kindaid ja kuulmiskaitseid.

PAKENDI LOEND

OSA NIMI	KOGUS
Hekitrimmer	1
Tera kate	1
Kasutusjuhend	1

ET

KIRJELDUS

TUNNE OMA TRIMMERIT (joon. A)

1. Tipukaitse
2. Tera
3. Tera kate
4. Eesmine lüliti hoob
5. Eesmine käepide
6. Lukustusnupp
7. Tagumine lüliti hoob
8. Tagumine käepide
9. U-konks
10. Pesa
11. Käepiire
12. Kaitse

⚠ HOIATUS! See toode on tarmitud täielikult kokku pandult. Käekaitset ei tohi kasutamise ajal kunagi eemaldada. Kui see on kahjustatud, laske kvalifitseeritud hooldustehnikul see kohe välja vahetada.

⚠ HOIATUS: Selle seadme ohutuks kasutamiseks tuleb tootele nii tootele kantud kui ka käesolevas juhendis sisalduvast teabest aru saada ning mõista ka teostatava töö aluseid. Enne toote kasutamist tutvuge selle funktsioonidega ja ohutusreeglitega.

KASUTAMINE

⚠ HOIATUS: Ärge muutuge toodet tundma õppides hooletuks. Pidage meeles, et raskeid vigastusi põhjustavaks õnnetuseks piisab ka sekundi murdosa pikkusest tähelepanematusetest.

⚠ HOIATUS: Kasutage alati küljekaitsetega silmakaitseid ja kuulmiskaitseid. Vastasel korral võib teile midagi silma lennata ja võite saada ka muud laadi raskeid vigastusi.

⚠ HOIATUS: Tahtmatu käivitamise vältimiseks eemaldage seadme kokkupanemise, kohandamise, puhastamise või mitte kasutamise ajaks alati aku.

⚠ HOIATUS: Ärge kasutage lisaseadmeid või -tarvikuid, mida EGO™ pole soovitanud. Mittesoovituslike lisaseadmete või -tarvikute kasutamine võib põhjustada raskeid kehavigastusi.

Enne igakordset kasutamist kontrollige, et seadmel poleks kahjustatud, puuduvaid ega lahtiseid detaile, kruvisid, mutreid, polte jm. Tugevdage kõik kinnitused ja ärge kasutage seadet kuni kõik puuduavad või kahjustatud osad on asendatud.

Toodet võib kasutada vihamas.

AKUPLOKI PAIGALDAMINE/EEMALDAMINE

Kasutage ainult joonisel A esitatud akuplokke ja laadijaid.

Laadige enne esimest kasutamist.

Paigaldamiseks (joon. B & C & D)

Joondage nii pistikul kui hekitrimmeril olevad ▲ logod, paigaldage pistik hekitrimmerisse, kuni roheline osa täies ulatuses pesa sisse läheb.

Pange aku juhe U-konksu külge.

Eemaldamine (joon. E)

Vabastage aku juhe U-konksu küljest ja tõmmake pistik hekitrimmerist välja.

HEKITRIMMERI KÄIVITAMINE/SEISKAMINE

Enne töö alustamist eemaldage kaitsekate ja hoidke trimmerit kahe käega, üks käsi eesmisel ja teine tagumisel käepidemel. Seejärel veenduge, et teie jalgealune on kindel, te seisate sirgelt ja lõikekaugus on sobiv.

⚠ HOIATUS: Hoidke hekitrimmerit alati kahe käega. Ärge hoidke kunagi ühe käega lõigatavat pöösast ja teisega trimmerit. Selle nõude eiramine võib põhjustada kehavigastusi.

⚠ HOIATUS: Hekitrimeri peatamisel lülitage esmalt lukustusnupp asendisse „OFF“ ja seejärel eemaldage akuplokk. Selle nõude eiramine võib põhjustada tõsisemaid vigastusi.

Käivitamine

Lükake lukustusnupp asendisse „ON“ (joon. F) ja seejärel vajutage tagumise lüliti hooba. Kui tagumine lüliti hoob on alla vajutatud, siis vajutage eesmist lüliti hooba, et käivitada seade.

Joon. F osade kirjeldus:

F-1	Lukustusnupp
F-2	Tagumine lüliti hoob

Peatamine

Peatamiseks vabastage üks lüliti hoobadest ning lülitage lukustusnupp asendisse „OFF“, et vältida seadme juhuslikku käivitumist.

MÄRKUS: Trimmeri käivitamiseks peavad mõlemad hoovad olema alla vajutatud.

HEKITRIMMERI HOIDMINE

Hoidke trimmerit kahe käega, tera endast eemale suunatuna. Ühe käega hoidke eesmisest käepidemest ja teisega tagumisest. Kolm erinevat hoidmisasendit võimaldavad teostada erinevaid pügamistoiminguid (joon. G ja H ja I).

HEKITRIMMERI KASUTAMINE

⚠ HOIATUS: Kui tera vahele jääb elektrijuhe või -traat, **ÄRGE PUUDUTAGE TERAI TERA VÕIB OLLA VOOLU ALL JA VÄGA OHTLIK.** Hoidke trimmerit endiselt isoleeritud käepidemest või pange maha ja nihutage ettevaatlikult endast eemale. Enne kui üritate juhet või traati tera ümber ära võtta, lülitage elekter välja. Selle nõude eiramine võib põhjustada raskeid või surmavaid vigastusi.

⚠ HOIATUS: Raskete vigastuste vältimiseks ärge pange käsi terade lähedale. Ärge üritage eemaldada lõigatud tükke ega hoida lõigatavat objekti, kui terad liiguvad. Enne kui hakkate terade ümber kinni jäänud tükke eemaldama, veenduge, et terad on lõplikult seiskunud ja akuplokk on eemaldatud. Seadet kandes või kätte võttes ärge hoidke kinni lõiketeradest.

⚠ HOIATUS: Enne töö alustamist puhastage tööpiirkond võõrkehadest. Eemaldage kõik üleliigsed objektid, mis võivad lõiketerade vahele kinni jääda ja raskeid vigastusi põhjustada (nt juhtmed, lambid, traadid, nõõrid jm).

⚠ HOIATUS: Ärge üritage korraga väga suurt tükki lõigata ega läbi tiheda pöösastiku liikuda. Nii võite terasid painutada või aeglustada ja vähendada lõikeprotsessi tõhusust.

MÄRKUS: Noorte taimede puhul on soovitatav kasutada otse lõiketera suunas kasvavate tüvede lõikamisel laia haaret. Vanemate taimete puhul on paksemate tüvede lõikamiseks hea kasutada saagimisliigutust. Jämedate tüvede lõikamiseks on soovitatav kasutada esmalt käisaagi või laasimissaagi.

Tipu lõikamine

Rakendage laia pühkimisliigutust. Parima lõiketulemuse saate, kui kallutate lõiketeri veidi liikumissuunas. Suurema efektiivsuse saavutamiseks võite kasutada ka soovitud heki kõrgust tähistavat nõõri, nagu on näidatud joonisel J.

Külgede lõikamine

Heki külgede pügamisel alustage altpoolt ja liikuge üles, nagu on näidatud joonisel K.

Saefunktsioon

Otsakaitse (joonis L) on vajalik tera välimise otsa kaitsmiseks.

Terakaitse

Terade välimine osa on kujundatud terakaitseteks (joonis M). Joonise M osade kirjeldus, vt allpool:

M-1	Tera
M-2	Terakaitse

⚠ HOIATUS! Veenduge alati, et terakaitse pole kahjustatud ega moonunud. Vahetage see välja, kui see on paindunud või kahjustunud.

HOOLDUS

⚠ HOIATUS: Remontimisel kasutage vaid originaalvaruosi. Mis tahes muude osade kasutamine võib põhjustada ohtlikke olukordi või seadet vigastada. Ohutuse ja töökindluse tagamiseks tohivad seda seadet remontida ainult vastava kvalifikatsiooniga hooldustehnikud.

⚠ HOIATUS: Raskete kehavigastuste vältimiseks tuleb seadme puhastamise või hooldamise ajaks alati akuplokk eemaldada.

PUHASTAMINE

- Öhu sissevõtuavadelt ja lõiketeralt mustuse eemaldamiseks kasutage pehmet harja.
- Vaigu ja muude kleepuvate ainete eemaldamiseks pihustage terale vaigu lahustit. Käivitage mootor hetkeks, et lahusti ühtlaselt laiali laotuks
- Pühkige seadme pind kuiva lapiga puhtaks.

⚠ HOIATUS: Vältige plastosade kasutamisel lahustite kasutamist. Enamik plastmasse lagunevad kaubanduslike lahustite toimel kergesti. Kasutage mustuse, tolm, õli, määrete jms eemaldamiseks puhtaid riidest lappe.

LÕIKETERA TERITAMINE

1. Eemaldage akuplokk hekilõikuri küljest.
2. AHB6500S/AHB7500S: klammerdage tera blokk kruustangide vahele ja riivige iga lõiketera lõikepinda. Eemaldage võimalikult vähe materjali. AHB6500/AHB7500 (⚠ ja „HARDENED“ (tugevdatud) märged tera pinnal): klammerdage tera blokk kruustangide vahele ja teritage lõiketerad teemantviili või madalal kiirusel lihviaga (pöördekiirus < 2500 p/min, etteande kiirus < 60 mm/min, võrgu number > 100). Eemaldage võimalikult vähe materjali.
3. Eemaldage hekilõikur kruustangide vahelt ja reguleerige tera nii, et teritamata osa jääks katmata.

Korrake ülaltoodud protseduure kuni kõik tera hambad on teritatud.

MÄRKUS: Ärge kasutage hekilõikurit, kui selle lõiketerad on kulunud või kahjustunud. See võib põhjustada ülekoormust ja lõiketulemused ei ole rahuldavad.

MÄRKUS: AHB6500/AHB7500 eritera teritamiseks ei sobi tavaline metallviil.

MÄRKUS: Kui kasutate lõiketera teritamiseks lihvipinki madalal kiirusel (pöörlemiskiirus <2500 min⁻¹), niisutage teritamise ajal tera hambaid pidevalt.

HEKILÕIKURI MÄÄRIMINE

⚠ HOIATUS: Ärge määrige hekilõikurit, kui see on akuga ühendatud või kui see parasjagu töötab.

Tera määrimine

Parimate töötulemuste saavutamiseks ja tera eluea pikendamiseks määrige hekilõikuri tera kerge masinaõliga enne ja pärast iga kasutuskorda.

Eemaldage akuplokk ja asetage lõikur tasasele pinnale. Kandke õli ülemise tera servale (joon. N).

Käigukasti määrimine

Parimate töötulemuste saavutamiseks ja hekilõikuri käigukasti eluea pikendamiseks määrige seda spetsiaalse määrdeainega (5-6g #1 ja 10-12g #2 jaoks igal korral) iga 50 töötunni järel.

Spetsiaalne määre peab vastama järgnevatele nõuetele.

1. Kuulub DIN51818: NLGI-2 koospenetratsiooni klassi.
2. Sisaldab polükarbamiid-paksendeid + sünteetilist määrdeõli
3. Suurepärase käivitus madalal temperatuuril, vastupidavus ekstreemsetele rõhkudele ja mehaanilisele hõõrdumisele, kulumiskindlus ning oksüdatiivne stabiilsus.
4. Töötemperatuuri vahemik -40~180°C.

Eemaldage aku pistik ja kaks kinnituskruvi (joon. O).

Käigukasti määrimine õliava kaudu.

MÄRKUS: Ärge täitke käigukasti määrdega täies mahus.

TRANSPORTIMINE JA HOIUSTAMINE

- Enne hekitrimmeri hoiustamist või transportimist paigaldage alati terale kaitsekate. Olge ettevaatlikud ja vältige tera teravaid hambaid.
- Enne hoiustamist puhastage hekitrimmer hoolikalt.
- Hoidke hekitrimmerit sisetingimustes, kuivas ja lastele kättesaamatus kohas.

- Hoidke trimmerit eemal korrodeerivatest ainetest (nt aiakemikaalid ja jääsulatussoolad).

⚠ HOIATUS: Terad on teravad. Terade käsitsemisel kandke tugevast mittelibisevast materjalist töökindaid. Ärge asetage oma käsi ega sõrmi terade vahele või muusse kohta, kus on oht, et need võivad kinni jääda või võidakse maha lõigata. Enne kui terasid puudutate või hooldate, tuleb ALATI akuplokk eemaldada.

Keskonnakaitse



Ärge visake elektriseadmeid, kasutatud akut ega laadurit olmeprügi hulka! Viige toode volitatud taaskäitleja juurde ja võimaldage selle komponendid sorteerituna kõrvaldada. Elektritööriistad tuleb viia keskkonnakaitseasutustele järgivasse jäätmekäitluskeskusesse.

TÖRKEOTSING

PROBLEEM	PÕHJUS	LAHENDUS
Hekitrimmer ei tööta.	<ul style="list-style-type: none"> ■ Akuplokk ei ole hekitrimmeri küljes või puudub elektrühendus hekitrimmeri ja aku vahel. ■ Akuplokk on tühi. ■ Lukustusnupp ei ole enne hoobade vajutamist asendis „ON“. ■ Akuplokk või hekitrimmer on liiga kuum. ■ Tera on kinni jäänud. ■ Hekitrimmer on ülekoormatud. 	<ul style="list-style-type: none"> ■ Pange aku pistik uuesti hekitrimmeri külge. ■ Laadige akuplokki selleks ettenähtud laadijaga. ■ Enne trimmeri kasutamist veenduge, et lukustusnupp on avatud asendis. ■ Jahutage akuplokki või hekitrimmerit, kuni temperatuur langeb normaalsele tasemele. ■ Ühendage seadme akuplokk lahti. Eemaldage takistus ettevaatlikult ning seejärel asetage aku tagasi ning taaskäivitage seade. ■ Vähendage seadme koormust.
Ligine vibratsioon või müra.	<ul style="list-style-type: none"> ■ Kuivad või korrodeerunud terad. ■ Tera või tera tugi on paindunud. ■ Paindunud või kahjustunud löikehambad. ■ Lahtised tera poldid. 	<ul style="list-style-type: none"> ■ Määrige terasid. ■ Vahetage tera või tugi. Tera või toe vahetamiseks võtke ühendust EGO teeninduskeskusega. ■ Vahetage seadme tera. Tera vahetamiseks võtke ühendust EGO teeninduskeskusega. ■ Keerake tera poldid tugevamalt kinni. Kiinitamiseks keerake polte mutrivõtmega päripäeva.

GARANTII

EGO GARANTIIPÕHIMÕTTED

Täielikud EGO garantiitingimused leiata veebilehelt egopowerplus.eu.

ET

ПРОЧИТАЙТЕ ВСІ ІНСТРУКЦІЇ



ПРОЧИТАЙТЕ ПОСІБНИК З ЕКСПЛУАТАЦІЇ

⚠ ПОПЕРЕДЖЕННЯ. Для гарантування безпеки та надійності всі роботи з ремонту та заміни повинен проводити кваліфікований технічний спеціаліст.

СИМВОЛИ, ЩО СТОСУЮТЬСЯ БЕЗПЕКИ

Мета символів, пов'язаних із безпекою, – привернути вашу увагу до можливих небезпек. Символи безпеки та їхнє пояснення заслуговують на вашу пильну увагу та розуміння. Символи попереджень самі по собі не усувають будь-якої небезпеки.

Інструкції та попередження, які вони надають, не замінюють належних заходів щодо запобігання аваріям.

⚠ ПОПЕРЕДЖЕННЯ. Перш ніж користуватися цим інструментом, обов'язково ознайомтеся з усіма інструкціями з безпеки, наведеними в цьому посібнику користувача, зокрема з усіма символами попереджень, такими як «**НЕБЕЗПЕКА**», «**ПОПЕРЕДЖЕННЯ**» та «**ЗАСТЕРЕЖЕННЯ**». Недотримання наведених нижче вказівок може спричинити ураження електричним струмом, пожежу та/або серйозні травми.

ЗНАЧЕННЯ СИМВОЛУ

СИМВОЛ ПОПЕРЕДЖЕННЯ ЩОДО БЕЗПЕКИ: Вказує на **НЕБЕЗПЕКУ**, **ПОПЕРЕДЖЕННЯ АБО ЗАСТЕРЕЖЕННЯ**. Може використовуватися разом з іншими символами або піктограмами.

⚠ ПОПЕРЕДЖЕННЯ. Використання будь-яких електроінструментів може призвести до потраплення сторонніх предметів в очі, що може спричинити серйозне пошкодження очей. Перед початком експлуатації електроінструмента завжди надягайте закриті захисні окуляри або відкриті захисні окуляри з бічними щитами та, якщо потрібно, повнопрофільну захисну маску. Ми рекомендуємо захисну маску широкого розміру для використання поверх окулярів або стандартні відкриті захисні окуляри з бічними щитами.

ВКАЗІВКИ З ТЕХНІКИ БЕЗПЕКИ

На цій сторінці зображено та описано символи, пов'язані з безпекою, які можуть відобразитись на цьому виробі. Перш ніж намагатися зібрати та експлуатувати його, ознайомтеся з усіма інструкціями на машині та дотримуйтеся їх.

	Попередження щодо безпеки	Вказує на потенційну небезпеку травмування.
	Прочитайте посібник користувача	З метою зменшення ризику отримання травм користувач повинен прочитати посібник з експлуатації.
	Тримайте руки та ноги подалі від ріжучого інструмента.	Ніколи не намагайтеся керувати електроінструментом однією рукою. Втрата контролю над електроінструментом призведе до серйозного або смертельного травмування. Щоб зменшити ризик травмування, тримайте руки та ноги подалі від ріжучого інструмента. Ніколи не наближуйте рухомий ріжучий інструмент до рук або до будь-якої іншої частини тіла.
	Надягайте засоби захисту очей	Граюючи з цим виробом, завжди носіть закриті захисні окуляри чи відкриті захисні окуляри з бічними щитами або повнопрофільну захисну маску.
	Шум	Гарантований рівень звукової потужності. Розповсюдження шуму в навколишнє середовище згідно з директивою Європейського співтовариства.
	CE	Цей виріб відповідає чинним директивам ЄС.
	UKCA	Цей продукт відповідає чинному законодавству Великобританії.
	WEEE	Відходи електричних виробів не слід викидати разом із побутовим сміттям. Зверніться до авторизованого пункту переробки.
	Довжина леза	Довжина леза
	Різальна здатність	Макс. різальна здатність леза
	Символ IP	Захист від струменів води
	Вольти	Напруга
	Постійний струм	Тип або характеристика струму
	На хвилину	Обертів на хвилину

mm	міліметр	Довжина або розмір
cm	Сантиметр	Довжина або розмір
n_0	Швидкість холостого ходу	Обертова швидкість без навантаження

ЗАГАЛЬНІ ПОПЕРЕДЖЕННЯ ЩОДО ТЕХНІКИ БЕЗПЕКИ РОБОТИ З ЕЛЕКТРОІНСТРУМЕНТАМИ

⚠ ПОПЕРЕДЖЕННЯ. Прочитайте всі попередження безпеки, інструкції, ілюстрації та характеристики, надані з цим інструментом. Недотримання наведених нижче вказівок може спричинити ураження електричним струмом, пожежу та/або серйозні травми.

Зберігайте всі застереження та інструкції для подальшого використання.

Термін «електроінструмент» у попередженнях стосується електричного інструмента, що працює від електромережі (через шнур) або від акумулятора (без шнура).

БЕЗПЕКА В РОБОЧІЙ ЗОНІ

- **Робоче місце має бути чистим і гарно освітленим.** Неприбрана або погано освітлена робоча зона може стати причиною нещасного випадку.
- **Не працюйте з інструментом у вибухонебезпечному середовищі, наприклад за наявності легкозаймистих рідин, газів або пилу.** Під час роботи електроприладу утворюються іскри, від яких можуть зайнятися пил або випари.
- **Дітям і спостерігачам заборонено перебувати поруч з електроінструментом, що працює.** Це може відволікати вас і призвести до втрати контролю.

ЕЛЕКТРИЧНА БЕЗПЕКА

- **Штепсельні вилки електроінструмента мають підходити до розеток.** Заборонено модифікувати вилку будь-яким чином. **Не використовуйте жодні перехідники для роботи із заземленими електроінструментами.** Використання штепселів і розеток, у які не вносилися зміни, зменшує ризик ураження електричним струмом.
- **Уникайте контакту частин тіла із заземленими поверхнями, такими як труби, батареї, плити й холодильники.** У разі заземлення тіла збільшується ризик ураження електричним струмом.

- **Бережіть електроінструмент від дощу та вологи.** Вода, що потрапила в електроінструмент, підвищує ризик ураження електричним струмом.
- **Поводьтесь обережно зі шнуром акумулятора. Не використовуйте шнур живлення для перенесення чи перетягування інструмента та виймання вилки з розетки.** Шнур потрібно оберігати від дії тепла, від гострих кутів та рухомих частин. Пошкоджені або заплутані шнури живлення підвищують ризик ураження електричним струмом.
- **Під час роботи з електроінструментом надворі використовуйте подовжувач, призначений для зовнішніх робіт.** Використання шнура, призначеного для зовнішніх робіт, зменшує ризик ураження електричним струмом.
- **Якщо роботи з електроінструментом у вологому середовищі не уникнути, скористайтеся пристроєм захисного вимкнення (ПЗВ).** Використання ПЗВ зменшує ризик ураження електричним струмом.

ІНДИВІДУАЛЬНА ТЕХНІКА БЕЗПЕКИ

- **Під час роботи з електроінструментом будьте уважними, слідкуйте за своїми діями та мисліть розсудливо.** Не працюйте з електроінструментом, якщо ви втомлені або перебуваєте під дією наркотичних речовин, алкоголю або ліків. Навіть миттєва неуважність під час роботи з електроінструментом може призвести до важкої травми.
- **Використовуйте засоби особистого захисту.** Завжди носіть засоби захисту очей. Використання у відповідних умовах таких захисних засобів як протипиловий респіратор, неслизьке захисне взуття, шолом-каска і навушники допоможе зменшити ризик травмування.
- **Уникайте випадкового запуску.** Перш ніж підключати електроінструмент до мережі живлення чи акумулятора, брати чи переносити його, перевірте, чи встановлено перемикач у положення «вимкнено». Якщо переносити електроінструмент, тримаючи палець на перемикачі живлення, або підключати його до джерела живлення, коли перемикач живлення перебуває в положенні «увімкнено», це може призвести до травмування.
- **Перш ніж вмикати електроінструмент, слід зняти всі регульовальні клини або гайкові ключі.** Якщо залишити такий ключ на рухомій частині електроінструмента, це може призвести до травмування.
- **Не дотягуйтеся.** Завжди міцно стійте на ногах

і втримуйте рівновагу. Це дає змогу краще керувати електроінструментом у разі виникнення непередбачуваних ситуацій.

- **Одягайтеся належним чином. Не носіть вільного одягу або прикрас. Стежте за тим, щоб волосся та одяг не потрапили на рухомі частини.** Вільний одяг, прикраси або довге волосся можуть потрапити в рухомі частини.
- **Якщо пристрої обладнано системою видалення пилю, переконайтеся, що її правильно підключено і що ви використовуєте її належним чином.** Використання пристрою для збирання пилю може зменшити небезпеку, пов'язану з пилом.
- **Не дозволяйте навичкам, отриманим після частого використання інструментів, змусити вас стати самовпевненими та ігнорувати принципи безпеки інструмента.** Недбала дія може спричинити серйозну травму протягом доли секунди.

ВИКОРИСТАННЯ ТА ДОГЛЯД ЗА ЕЛЕКТРОІНСТРУМЕНТОМ

- **Не застосовуйте силу до електроінструмента.** Використовуйте належний електроінструмент відповідно до потреби. Правильно підібраний електроінструмент допоможе краще і безпечніше зробити роботу зі швидкістю, яка для неї передбачена.
- **Не використовуйте електроінструмент, якщо перемикач не вмикає або не вимикає його.** Усі електроінструменти, якими неможливо керувати за допомогою перемикача, становлять небезпеку й підлягають ремонту.
- **Перш ніж проводити будь-які налаштування, замінювати аксесуари або перед зберіганням слід вимкнути штепсель із джерела живлення та/або вийняти з інструмента акумулятор, якщо він знімний.** Такі запобіжні заходи техніки безпеки зменшують ризик випадкового запуску електроінструмента.
- **Тримайте інструмент, що не використовується, подалі від дітей і не дозволяйте особам, які не мають досвіду роботи з такими інструментами або не знайомі з цими інструкціями, користуватись електроінструментом.** Електроінструменти становлять небезпеку в руках недосвідчених користувачів.
- **Доглядайте за електроінструментами та аксесуарами. Перевіряйте їх на предмет розладнання чи блокування рухомих частин, а також будь-яких обставин, які можуть вплинути на роботу інструмента.** У разі пошкодження електроінструмент слід здати в ремонт, перш

ніж користуватися ним. Часто нещасні випадки трапляються внаслідок неналежного технічного обслуговування електроінструментів.

- **Тримайте ріжучі інструменти гострими й чистими.** Належним чином доглянуті ріжучі інструменти з гострими ріжучими краями рідше блокуються, такими електроінструментами легше керувати;
- **Користуйтеся електроінструментом, аксесуарами, насадками і т. п. для інструмента згідно з цією інструкцією, зважаючи на робочі умови та роботу, яку слід виконати.** Використання електроінструмента всупереч призначенню може стати причиною виникнення небезпечних ситуацій.
- **Підтримуйте руків'я та захватні поверхні сухими, чистими, без жиру і бруду.** Слизькі ручки та захватні поверхні не дають змоги безпечно тримати та керувати інструментом у непередбачених ситуаціях.

КОРИСТУВАННЯ І ДОГЛЯД ЗА АКУМУЛЯТОРНИМ ІНСТРУМЕНТОМ

- **Заряджайте лише за допомогою зарядного пристрою, указанного виробником.** Зарядний пристрій, який підходить для акумуляторів одного виду, може викликати ризик пожежі у випадку його використання з іншим акумулятором.
- **З електроінструментами слід використовувати лише призначені для них акумуляторні батареї.** Використання будь-яких інших акумуляторних батарей може призвести до травми або пожежі.
- **Коли батарея не використовується, її слід тримати окремо від металевих предметів, наприклад затискачів для паперу, монет, ключів, цвяхів, шурупів та інших дрібних предметів, які можуть замкнути клемами.** Коротке замикання клем акумулятора може стати причиною опіків чи пожежі.
- **У надто важких умовах експлуатації з акумулятора може витікати рідина; не доторкайтесь до неї.** Якщо випадково ви все ж торкнулися її, слід промити це місце водою. Якщо рідина потрапила в очі, слід також звернутися до лікаря. Рідина, яка виступає з акумулятора, може спричинити подразнення або опіки.
- **Дотримуйтесь усіх інструкцій щодо заряджання та не заряджайте акумуляторну батарею або інструмент за межами температурного діапазону, зазначеного в інструкціях.** Зарядження неналежним чином або при температурах за межами вказаного діапазону може пошкодити акумулятор і збільшити ризик виникнення пожежі.

- Не використовуйте акумуляторну батарею або інструмент, які пошкоджено або змінено. Пошкоджені або змінені батареї можуть мати непередбачувану поведінку, що може спричинити пожежу, вибух або ризик травмування.
- Не надавайте акумуляторну батарею або інструмент дії вогню або високої температури. Вогонь або температура вище 100 °C може спричинити вибух.

СЕРВІС

- Обслуговування електроінструмента повинен виконувати кваліфікований ремонтник із використанням лише ідентичних запасних частин. Це забезпечить нормальну роботу електроінструмента.
- Ніколи не ремонтуйте пошкоджений акумулятор. Сервісне обслуговування акумуляторних акумуляторів має виконувати лише виробник або авторизовані постачальники послуг.

Попередження щодо безпеки використання тримера для підрізання живоплоту:

- Тримайте всі частини тіла якнайдалі від різьмучого полотна. Не видаляйте матеріали, які слід порізати, під час руху леза. Перш ніж усунути матеріал, який заважає подальшій роботі, переконайтеся, що перемикач живлення вимкнено. Мить неувважності під час роботи з кущорізом може призвести до серйозних травм.
- Переносьте тример для живоплоту за руків'я тільки після зупинки леза. Для транспортування і зберігання завжди накривайте інструмент кришкою. Належне поводження з кущорізом знизить небезпеку можливого травмування лезом.
- Тримайте електроінструмент лише за ручки з ізольованим покриттям, оскільки лезо може контактувати з прихованою проводкою. Контакт лез із дротом під напругою призводить до появи напруги в металевих частинах електроінструмента, що може призвести до ураження користувача електричним струмом.
- Тримайте кабель батареї якнайдалі від місця різання. Під час роботи кабель може захватитись у кущах і випадково порізатись лезом.
- Перед початком експлуатації перевірте живопліт на наявність сторонніх предметів, наприклад дротяних огорож.
- Використовуйте тример для живоплоту лише з правильно встановленим запобіжником. Використання тримера для живоплоту без відповідного запобіжника може призвести до серйозних травм!
- Працюйте з тримером для живоплоту двома руками. Робота однією рукою може призвести до втрати контролю та серйозних травм.

ВАЖЛИВІ ВКАЗІВКИ ЩОДО БЕЗПЕКИ

- Не заряджайте акумуляторну батарею під дощем або у вологих місцях.
- Акумуляторну батарею потрібно вийняти з приладу, перш ніж викидати його.
- Не беріть руками відкриті леза або ріжучі кромки, коли запаковуєте або тримаєте тример для живоплоту.
- Не використовуйте драбину, дах, дерево або іншу нестійку опору. Міцно стійте на ногах на твердій поверхні, щоб краще контролювати тример для живоплоту в непередбачених ситуаціях.
- Ніколи не дозволяйте дітям працювати з тримером для живоплоту.
- Ніколи не знімайте запобіжні пристрої та не втручайтесь в їх роботу. Регулярно перевіряйте їх правильну роботу. Ніколи не робіть нічого, щоб перешкодити передбаченій роботі запобіжного пристрою або зменшити захист, який забезпечує запобіжний пристрій.
- Часто перевіряйте кріпильні болти леза та мотора, чи вони як слід затягнуті. Також візуально перевіряйте, чи лезо не пошкоджене (наприклад, зігнуте, тріснуте або зношене). Замінійте лезо лише лезом від EGO™.
- Замініть лезо, якщо воно зігнуте або тріснуте. Незбалансоване лезо спричиняє вібрацію, яка може пошкодити блок електропривода або призвести до травми.
- Якщо обладнання почне незвично вібрувати, вимкніть мотор і негайно виявіть причину.
- Тример використовується для вирізання стебел завтовшки до 33 мм.
- Не використовуйте тример для живоплоту, що живиться від батареї, у дощ.
- Дотримуйтесь інструкцій щодо змащування та заміни приладдя.
- Підтримуйте руків'я сухими, чистими, без жиру і бруду.
- Збережіть цю інструкцію. Часто переглядайте та використовуйте її, щоб навчати інших, хто може використовувати цей інструмент. Якщо ви надаєте когось цей інструмент, надайте їм ці інструкції, щоб запобігти неналежному використанню виробу та можливим травмам.

ЗБЕРЕЖІТЬ ЦЮ ІНСТРУКЦІЮ

СПЕЦИФІКАЦІЇ

Напруга	56 В $\overline{\text{---}}$	56 В $\overline{\text{---}}$	
Швидкість леза	1800 /хв.	1800 /хв.	
Довжина леза	65 CM	75 CM	
Різальна здатність	31 MM	31 MM	
Вага інструмента	4,1 кг	4,2 кг	
Діапазон рекомендованих робочих температур	0°C–40°C	0°C–40°C	
Діапазон рекомендованих температур зберігання	-20°C–70°C	-20°C–70°C	
Вимірний рівень звукової потужності L_{WA}	90,1 дБ (A) K=2,9 дБ (A)	95,4 дБ (A) K=1,52 дБ (A)	
Рівень звукового тиску на місці вуха оператора L_{PA}	80,1 дБ (A) K=3 дБ (A)	83,9 дБ (A) K=2,5 дБ (A)	
Гарантований рівень звукової потужності L_{WA} (відповідно до стандарту 2000/14/ЄС)	93 дБ (A)	97 дБ (A)	
Вібрація a_h	Задня ручка	3,2 м/с ² K=1,5 м/с ²	2,872 м/с ² K=1,5 м/с ²
	Передня ручка	3,9 м/с ² K=1,5 м/с ²	3,536 м/с ² K=1,5 м/с ²

- Вказане загальне значення вібрації виміряне за стандартним методом тестування і може використовуватися для порівняння одного інструмента з іншим;
- Заявлене сумарне значення вібрації може також використовуватись для попередньої оцінки впливу.

ПРИМІТКА. Емісія вібрації під час фактичного використання електроінструмента може відрізнитися від заявленої величини, у якій використовується інструмент. Щоб захистити оператора, користувач повинен вдягати рукавички та захисні навушники в реальних умовах використання.

ПАКУВАЛЬНИЙ СПИСОК

Назва деталі	Кількість
Триммер для живоплоту	1
Щит	1
Посібник користувача	1

ОПИС

ОЗНАЙОМЛЕННЯ З ТРИМЕРОМ ДЛЯ ЖИВОПЛОТУ (рис. А)

1. Захисний наконечник
2. Лезо
3. Кожух леза
4. Передній важіль перемикача
5. Передня ручка
6. Кнопка блокування
7. Задній важіль перемикача
8. Задня ручка
9. У-подібний гачок
10. Гніздо
11. Запобіжна скоба
12. Щит

⚠ ПОПЕРЕДЖЕННЯ. Цей продукт поставляється в повністю зібраному вигляді. Запобіжна скобу ніколи не слід видаляти під час використання. Після пошкодження негайно доручіть замінити її кваліфікованому технічному спеціалісту.

⚠ ПОПЕРЕДЖЕННЯ. Для безпечного використання цього виробу потрібне розуміння інформації на інструменті та в цьому посібнику користувача, а також знання про проект, який ви намагаєтесь виконати. Перед використанням цього виробу ознайомтеся з усіма функціями та правилами техніки безпеки.

ЕКСПЛУАТАЦІЯ

⚠ ПОПЕРЕДЖЕННЯ. Знання виробу не має робити вас небалним. Пам'ятайте, що півсекунди неухважності досить для серйозної травми.

⚠ ПОПЕРЕДЖЕННЯ. Завжди носіть захисні окуляри з бічними щитками та навушники. Без окулярів ви ризикуєте травмами очей від викинутих предметів та іншими серйозними травмами.

⚠ ПОПЕРЕДЖЕННЯ. Щоб запобігти випадковому запуску, що може спричинити серйозні травми, завжди виймайте акумуляторну батарею з інструмента під час монтажу деталей, регулювання, очищення або коли він не використовується.

⚠ ПОПЕРЕДЖЕННЯ. Не використовуйте приладдя чи насадки, не рекомендовані EGO™. Використання нерекордованого приладдя чи насадок може призвести до серйозних травм.

Перед кожним використанням перевірте весь виріб на наявність пошкоджених, відсутніх або зношених деталей, таких як гвинти, гайки, болти, ковпачки тощо. Закріпіть усі затискачі та ковпачки і не використовуйте цей пристрій, доки не будуть замінені всі відсутні або пошкоджені деталі.

Виріб можна використовувати під дощем.

УСТАНОВЛЕННЯ/ВИЙМАННЯ АКУМУЛЯТОРНОЇ БАТАРЕЇ

Використовуйте лише акумулятори та зарядні пристрої, перелічені на рис. А.

Зарядіть перед першим використанням.

Установлення (рис. В & С & D)

Вирівнявши логотип ▲ на штекері та тримері для живоплоту відповідним чином, вставте штекер у тример для живоплоту, доки зелений ущільнювач повністю не зникне в гнізді.

Закріпіть шнур акумулятора на U-подібному гачку.

Зняття (рис. E)

Зніміть шнур живлення з U-подібного гачка та витягніть штепсель із тримера для живоплоту.

ЗАПУСК/ЗУПИНЕННЯ ТРИМЕРА ДЛЯ ЖИВОПЛОТУ

Перед використанням зніміть щиток і тримайте тример обома руками, однією рукою за задню ручку, а іншою – за передню. Потім перевірте рівновагу, правильну поставу і належну відстань різання.

▲ ПОПЕРЕДЖЕННЯ. Завжди тримайте тример для живоплоту обома руками за ручки. Ніколи не тримайте куцх однією рукою, а тример для живоплоту – іншою. Нехтування цим попередженням може призвести до тяжких травм.

▲ ПОПЕРЕДЖЕННЯ. Зупиняючи тример для живоплоту, переключіть кнопку блокування в положення «ВИМКНЕНО», перш ніж виймати акумуляторну батарею. Нехтування цим попередженням може призвести до тяжких травм.

Запуск

Натисніть кнопку блокування, щоб установити її в положення «ВВИМКНЕНО» (рис. F), а потім натисніть на задній перемикач. Якщо задній перемикач натиснуто, продовжуйте натискати передню ручку перемикача, щоб запустити.

Рис. F – див. опис деталей нижче:

F-1	Кнопка блокування
F-2	Задній важіль перемикача

Зупинка

Відпустіть будь-який із важелів вимикача, щоб зупинити, і переключіть кнопку блокування в положення «ВИМКНЕНО», щоб запобігти випадковому запуску.

ПРИМІТКА. Необхідно натиснути обидва важелі перемикача, щоб запустити тример.

ТРИМАННЯ ТРИМЕРА ДЛЯ ЖИВОПЛОТУ

Тримайте тример обома руками, лезом від себе, окремо за передню та задню ручку. Три напрямки тримання можуть підходити для різних операцій зрізання (рис. G, H, I).

ВИКОРИСТАННЯ ТРИМЕРА ДЛЯ ЖИВОПЛОТУ

▲ ПОПЕРЕДЖЕННЯ. Якщо лезо натрапляє на будь-який електричний шнур або лінію електропередачі, **НЕ ТОРКАЙТЕСЯ ЛЕЗА! ВОНО МОЖЕ БУТИ ПІД НАПРУГОЮ І ДУЖЕ НЕБЕЗПЕЧНИМ.** Продовжуйте тримати тример для живоплоту за ізольовану задню ручку або відкладіть його в безпечний спосіб. Відключіть подачу електроенергії на пошкоджену лінію або шнур, перш ніж намагатися звільнити лезо від лінії або шнура. Нехтування цим попередженням призводить до тяжких травм або можливої смерті.

▲ ПОПЕРЕДЖЕННЯ. Щоб запобігти серйозній травмі, тримайте руки подалі від лез. Не намагайтеся видаляти зрізані матеріали або тримати матеріал, який слід зрізати, під час руху леза. Переконайтеся, що леза повністю зупинилися, а акумуляторну батарею вийняли, перед усуненням матеріалу, що застряг у лезах. Не беріть руками відкриті леза або ріжучі кромки, коли піднімаєте або тримаєте прилад.

▲ ПОПЕРЕДЖЕННЯ. Очищуйте ділянку підрізання перед кожним використанням. Вилучіть усі предмети, такі як шнури, проводи, дроти або мотузки, які можуть заплутатись у ріжучому лезі та створити ризик серйозних травм.

▲ ПОПЕРЕДЖЕННЯ. Уникайте зрізання занадто великої кількості одночасно або через густі чагарники. Це може призвести до застрягання або уповільнення леза, що зменшує ефективність зрізання.

ПРИМІТКА. Для нової порослі широкий рух підмітання підходить для стебел, що потрапляють безпосередньо до ріжучого леза. Для старшої порослі рух пиляння підходить для зрізання товстих стебел. Для зрізання великих стебел у першу чергу рекомендується скористатися ручною або обрізною пилою.

Зрізання зверху

Використовуйте широкий рух підмітання. Невеликий нахил ріжучих лез вниз у напрямку руху дає найкращі результати зрізання. Для кращого ефекту зрізання ви також можете використовувати мотузку для керування рівнем живоплоту, як показано на рис. J.

Зрізання збоку

Обрізаючи живопліт збоку, починайте знизу та обрізайте вгору, як показано на рис. K.

Захисний наконечник

Захисний наконечник (рис. L) використовується для захисту зовнішнього кінця леза.

Кожух леза

Зовнішня частина лез повторює форму кожуха леза(Рис. M).

Рис. M – див. опис деталей нижче:

M-1	Лезо
M-2	Кожух леза

⚠ ПОПЕРЕДЖЕННЯ. Завжди перевіряйте, чи кожух леза не пошкоджено й не деформовано. Замініть його, якщо його зігнуто або пошкоджено.

ТЕХНІЧНЕ ОБСЛУГОВУВАННЯ

⚠ ПОПЕРЕДЖЕННЯ. Використовуйте для технічного обслуговування лише ідентичні запчастини. Використання будь-яких інших частин створює небезпеку або може призвести до поломки виробу. Для гарантування безпеки та надійності всі ремонтні роботи повинен проводити кваліфікований технічний спеціаліст.

⚠ ПОПЕРЕДЖЕННЯ. Щоб уникнути серйозних травм, завжди виймайте акумуляторну батарею з виробу, перш ніж чистити або виконувати будь-яке технічне обслуговування.

ЧИЩЕННЯ

- Використовуйте м'яку щітку, щоб видалити сміття з усіх впускних вентиляційних отворів та леза.
- Для видалення смоли та інших липких залишків розпильте на леза розчинник смоли. Запустіть мотор ненадовго, щоб розчинник рівномірно розподілився.
- Протирайте поверхню сухою тканиною.

⚠ ПОПЕРЕДЖЕННЯ. Не застосовуйте розчинники, коли чистите пластмасові деталі. Більшість пластмас чутливі до пошкоджень різноманітними промисловими розчинниками. Для видалення бруду, пилу, мастила тощо користуйтеся чистою ганчіркою.

ЗАТОЧУВАННЯ ЛЕЗА

1. Вийміть акумуляторну батарею з тримера для живоплоту.
2. АНВ6500S/АНВ7500S: затисніть лезо в зборі в лещатах та обробіть напилком відкриту ріжучу поверхню кожного зубця. Видаліть якомога менше матеріалу. АНВ6500/АНВ7500 (з позначками "H" та "HARDENED" (ЗМІЦНЕНЕ) на поверхні леза): затисніть лезо в зборі в лещатах і загоріть відкриту ріжучу поверхню алмазним напилком або низькошвидкісною шліфувальною машиною (швидкість обертання < 2500 об./хв, швидкість подачі < 60 мм/хв, номер сітки > 100). Видаляйте якнайменше матеріалу.
3. Зніміть тример для живоплоту з тримача та відрегулюйте незагострене лезо на іншій стороні.

Повторіть описані вище процедури, доки всі зубці не буде заточено.

ПРИМІТКА. Не працюйте з тримером для живоплоту із затупленими або пошкодженими лезами. Це може спричинити переважання та надасть незадовільні результати підрізання.

ПРИМІТКА. Звичайний металевий напилек не підходить для заточування спеціального леза АНВ6500/АНВ7500.

ПРИМІТКА. Використовуючи низькошвидкісну шліфувальну машину (швидкість обертання < 2500 хв⁻¹) для заточування ріжучого леза, постійно зволожуйте водою зубці леза під час шліфування.

ЗМАЩУВАННЯ ТРИМЕРА ДЛЯ ЖИВОПЛОТУ

⚠ ПОПЕРЕДЖЕННЯ. Не змащуйте тример для живоплоту, коли він під'єднаний до акумулятора або працює.

Змащування леза

Для найкращої експлуатації та довшого терміну служби змащуйте лезо тримера для живоплоту легким машинним маслом до і після кожного використання.

Вийміть акумуляторну батарею та покладіть тример на рівну поверхню. Нанесіть масло вздовж краю верхнього леза (рис. N).

Змащування корпусу редуктора

Для кращої експлуатації та більш тривалого терміну служби змащуйте корпус редуктора тримера для живоплоту спеціальним мастилом (5-6 г для №1 і 10-12 г для №2 щоразу) кожні 50 годин роботи.

Спеціальне мастило має відповідати зазначеним далі вимогам.

1. Відповідність стандарту DIN51818: ступінь проникнення конуса NLGI-2.
2. Складається з полісечовинних загусників + синтетичного мастила
3. Властивості відмінного низькотемпературного запуску, протизадирні властивості, стійкість до механічного розривання, стирання та окислення.
4. Робоча температура має бути в межах від -40 до 180°C.

Зніміть заглушку акумулятора та два герметичні гвинти (рис. O). Змажте редуктор через отвір для масла.

ЗАУВАЖЕННЯ: не заповнюйте редуктор мастилом повністю.

ТРАНСПОРТУВАННЯ ТА ЗБЕРІГАННЯ

- Завжди одягайте щиток на лезо перед зберіганням або транспортуванням тримера для живоплоту. Будьте обережні, щоб уникати гострих зубців леза.
- Перед зберіганням слід ретельно очистити тример для живоплоту.
- Зберігайте тример для живоплоту в місці, недоступному для дітей.
- Тримайте подалі корозійні агенти, такі як садові хімікати та солі проти ожеледі.

⚠ ПОПЕРЕДЖЕННЯ. Леза гострі. Під час маніпуляцій із лезом одягайте неслизькі міцні захисні рукавиці. Не кладіть руку або пальці між лезами або в будь-якому положенні, де вони можуть бути защемлені або порізані. НІКОЛИ не торкайтеся лез і не обслуговуйте прилад з установленим акумулятором.

Захист довкілля



Не викидайте електричне обладнання, акумулятор і зарядний пристрій у побутові відходи! Віднесіть цей виріб авторизованому переробнику й надайте його для роздільного збирання.

Електроінструменти необхідно повернути в підприємство, що займається екологічно безпечною переробкою.

УСУНЕННЯ НЕСПРАВНОСТЕЙ

НЕСПРАВНІСТЬ	ПРИЧИНА	ВИРІШЕННЯ
Триммер для живоплоту не працює.	<ul style="list-style-type: none"> ■ Акумуляторна батарея не приєднана до тримера для живоплоту, або відсутній електричний контакт між триммером для живоплоту та акумулятором. ■ Акумуляторна батарея розряджена. ■ Кнопка блокування не натиснуто в положення «ВВІМКНЕНО» перед натисканням важеля перемикача. ■ Акумулятор або триммер для живоплоту занадто гарячі. ■ Лезо защемлено. ■ Триммер для живоплоту перевантажено. 	<ul style="list-style-type: none"> ■ Знову вставте штепсель акумулятора в триммер для живоплоту. ■ Зарядіть акумуляторну батарею зазначеним зарядним пристроєм. ■ Перш ніж використовувати триммер, переконайтеся, що кнопка блокування розблокована. ■ Дайте акумуляторній батареї або триммеру для живоплоту охолонути, доки температура не повернеться до норми. ■ Вийміть акумуляторну батарею з інструмента. Обережно усуньте перешкоду, а потім знову вставте акумулятор і перезапустіть інструмент. ■ Зменште навантаження на інструмент.
Надмірна вібрація чи шум.	<ul style="list-style-type: none"> ■ Сухі або корозійні леза. ■ Лезо або тримач леза зігнуті. ■ Зігнуті або пошкоджені зубці. ■ Ослаблені болти леза. 	<ul style="list-style-type: none"> ■ Змастіть леза ■ Замініть на нове лезо чи тримач. Зв'яжіться із сервісним центром EGO для заміни леза чи тримача ■ Замініть на нове лезо. Зв'яжіться із сервісним центром EGO для заміни леза. ■ Затягніть болти леза. Використовуючи гайковий ключ, затягніть болт за годинниковою стрілкою.

UK ГАРАНТІЯ

ПРАВИЛА ГАРАНТІЇ EGO

Будь ласка, відвідайте веб-сайт egopowerplus.eu для отримання повних умов гарантійної політики EGO.

ПРОЧЕТЕТЕ ВСИЧКИ ИНСТРУКЦИИ!



ПРОЧЕТЕТЕ РЪКОВОДСТВОТО НА ОПЕРАТОРА

⚠ ПРЕДУПРЕЖДЕНИЕ: За да осигурите безопасността и надеждността, всички поправки и подмени трябва да се извършват от квалифициран сервизен техник.

СИМВОЛИ ЗА БЕЗОПАСНОСТ

Целта на символите за безопасност е да привличат вниманието към възможни опасности. Символите за безопасност и обясненията към тях заслужават вашето повишено внимание и осъзнаване. Символите за безопасност сами по себе си не елиминират каквато и да е опасност.

Инструкциите и предупрежденията, които предоставят не са заместители за подходящите мерки за предотвратяване на инцидент.

⚠ ПРЕДУПРЕЖДЕНИЕ: Уверете се, че сте прочели и осъзнали всички инструкции за безопасност в това Ръководство на оператора, включително всички известяващи символи за безопасност, като **“ОПАСНОСТ,” “ПРЕДУПРЕЖДЕНИЕ,”** и **“ВНИМАНИЕ”** преди да използвате този инструмент. Неспазването на всички инструкции изброени долу може да доведе до електрически шок, пожар и/или сериозно нараняване.

ЗНАЧЕНИЕ НА СИМВОЛИТЕ

СИМВОЛ СИГНАЛИЗИРАЩ ЗА БЕЗОПАСНОСТ: Показва **ОПАСНОСТ, ПРЕДУПРЕЖДЕНИЕ, ИЛИ ВНИМАНИЕ.** Могат да бъдат използвани във връзка с други символи или пиктограми.

⚠ ПРЕДУПРЕЖДЕНИЕ: Експлоатацията на всички електрически инструменти, може да доведе до изхвърляне на чужди предмети към вашите очи, което може да доведе до сериозно нараняване на окото. Преди започване на работа с електрически инструмент, винаги носете предпазни очила със странична защита и визьор за цялото лице, когато е необходимо. Ние препоръчваме предпазна маска с широк визьор за употреба над очила или стандартни предпазни очила със странична защита.

ИНСТРУКЦИИ ЗА БЕЗОПАСНОСТ

Тази страница изобразява и описва символите за безопасност, които може да се появят по този продукт. Прочетете, осъзнайте и следвайте всички инструкции по машината преди предприемане на сглобяване или работа.

	Сигнал за безопасност	Показва риска от потенциално нараняване на човек.
	Прочетете ръководството на оператора	За намаляване на опасността от нараняване, потребителят трябва да прочете ръководството на оператора.
	Дръжте ръцете и краката далеч от режещия инструмент.	Никога не се опитвайте да работите с една ръка с вашия електрически инструмент. Загуба на контрол на вашия електрически инструмент може да доведе до сериозно или фатално нараняване. За да намалите риска от наранявания при срязване дръжте ръцете и краката далеч от режещия инструмент. Никога не закрепвайте движещ се режещ инструмент с вашите ръце или с друга част на вашето тяло.
	Носете защита за очите	Винаги носете предпазни очила със странична защита и предпазен екран за цялото лице, когато работите с този продукт.
	Шум	Гарантирано ниво на мощност на звука. Звуковите емисии към околната среда са в съответствие с директивите на европейската общност.
	CE	Този продукт е в съответствие с приложимите директиви на ЕС.
	UKCA	Този продукт е в съответствие с приложимото законодателство на Великобритания.
	WEEE	Отпадъчните електрически продукти не трябва да бъдат изхвърляни заедно с домакинския отпадък. Отнесете го до упълномощено място за рециклиране.
	Дължина на ножа	Дължина на ножа

	Капацитет за рязане	Максимален капацитет на рязане на ножа
IPX5	IP символ	Защита срещу водни струи
V	Милиметър	Напрежение
	Постоянен ток	Вид или характеристика на тока
.../мин	на минута	Оброти в минута
MM	Милиметър	Дължина или размер
CM	Сантиметър	Дължина или размер
n_0	Скорост без натоварване	Скорост на въртене без товар

ОБЩИ ПРЕДУПРЕЖДЕНИЯ ЗА БЕЗОПАСНОСТ НА ЕЛЕКТРИЧЕСКИ ИНСТРУМЕНТИ

▲ ПРЕДУПРЕЖДЕНИЕ: Прочетете всички предупреждения за безопасност, инструкции, илюстрации и спецификации предоставени с този електрически инструмент. Неспазването на всички инструкции изброени долу може да доведе до токов удар, пожар и/или сериозно нараняване.

Запазете всички предупреждения и инструкции за бъдеща справка.

Терминът "Електрически инструмент" в предупрежденията се отнася до захранване от мрежата (кабелни) електрически инструменти или захранвани чрез батерия (безкабелни) електрически инструменти.

БЕЗОПАСНОСТ В РАБОТНАТА ЗОНА

- Поддържайте работната зона чиста и добре осветена. Разхвърляни или тъмни работни зони пораждаат инциденти.
- Не работете с електроинструменти в експлозивна атмосфера, като например в присъствието на запалими течности, газ или прах. Електрическият инструмент създава искра, която може да възпламени праха или изпаренията.
- Дръжте на разстояние децата и страничните лица, докато работите с електрически инструмент. Разсейването може да причини загуба на контрол.

ЕЛЕКТРИЧЕСКА БЕЗОПАСНОСТ

- Щепселите на електроинструмента трябва да съответстват на контакта. Никога не

модифицирайте щепсела по какъвто и да е начин. Не използвайте какъвто и да е адаптер със заземени електрически инструменти.

Немодифицираните щепсели и съответстващите контакти ще намалят риска от електрически шок.

- Избягвайте контакт на тялото със заземени повърхности, като тръби, радиатори, кухненски печки и хладилници. Съществува повишена опасност от токов удар, ако тялото Ви е заземено.
- Не излагайте електрическите инструменти на дъжд или влажни условия. Навлизането на вода в електрическия инструмент ще увеличи риска от токов удар.
- Не злоупотребявайте с кабела от акумулаторната батерия. Никога не използвайте кабела за пренасяне, изтегляне или изключване от контакта на електрическия инструмент. Дръжте кабела настрана от топлина, масло, остри ръбове или движещи се части. Повредени или оплетени кабели увеличават риска от токов удар.
- Когато работите с електроинструмент на открито, използвайте удължителен кабел подходящ за употреба на открито. Употребата на кабел подходящ за употреба на открито намалява риска от електрически шок.
- Ако работата с електрически инструмент на влажно място е неизбежна, използвайте захранване с дефектнотокова защита (RCD). Употребата на RCD намалява риска от токов удар.

ЛИЧНА БЕЗОПАСНОСТ

- Внимавайте, гледайте какво правите и използвайте здрав разум, когато работите с електрически инструмент. Не използвайте електрически инструмент, когато сте уморени или когато сте под влияние на наркотици, алкохол или лекарства. Момент невнимание по време на работата с електрически инструмент, може да доведе до сериозно лично нараняване.
- Използвайте лични предпазни средства. Винаги носете защита за очите. Защитно оборудване като прахови маски, не плъзгащи се безопасно обувки, твърда каска или защита за слуха използвана при подходящи условия ще намали риска от лични наранявания.
- Предотвратете непреднамерено пускане. Уверете се, че ключът е в изключена позиция, преди да свържете към захранване и/или батерия, повдигайки или носейки инструмента. Носейки инструмента, докато пръстът ви е на спусъка или подаването на захранване на инструменти, които са с включен прекъсвач е предпоставка за инциденти.

- Извадете всеки регулиращ ключ или гаечен ключ, преди да включите захранването. Или друг ключ оставен закачен към въртящите се части на електрическия инструмент, може да доведе до лично нараняване.
- Не се протягайте. Запазете правилна стойка и баланс по всяко време. Това позволява по-добър контрол върху електрическия инструмент в непредвидени ситуации.
- Облечете се подходящо. Не носете отпуснати дрехи или бижута. Дръжте косата и дрехите си далеч от движещи се части. Отпуснати дрехи, бижута или дълга коса, могат да бъдат хванати в движещите се части.
- Ако са предоставени устройства за свързване на прахоуловител или съоръжения за събиране, уверете се, че те са свързани и са правилно използвани. Употребата на устройства за събиране на прах може да намали рисковете свързани с прах.
- Не позволявайте на рутинността придобитата честата употреба на инструмента да позволи да станете небрежни и да игнорирате принципите за безопасност на инструмента. Небрежно действие може да причини сериозно нараняване за части от секундата.

УПОТРЕБА И ГРИЖА ЗА ЕЛЕКТРИЧЕСКИЯ ИНСТРУМЕНТ

- Не пресилвайте електрически инструмент. Използвайте правилния електрически инструмент за вашата работа. Правилният електрически инструмент ще свърши работата по-добре и по-безопасно при капацитета за който е проектиран.
- Не използвайте електрическия инструмент ако ключът не го включва или изключва. Всеки електрически инструмент, който не може да бъде контролиран от ключа е опасен и трябва да бъде поправен.
- Разкачете щепсела от захранването и/или извадете батерията, ако може да се извади, от електрическия инструмент, преди да извършите настройки, смяна на аксесоари или съхраняване на инструментите. Подобни превантивни мерки за безопасност намаляват риска от стартиране на инструмента инцидентно.
- Дръжте свободния електрически инструмент извън достъпа до деца и не позволявайте хора, които не са запознати с електрическия инструмент или тези инструкции да работят с него. Електрическите инструменти са опасни в ръцете на необучени потребители.
- Поддръжка на електрически инструмент и аксесоари. Проверете за разместване или блокиране на подвижни части, счупване на части, и всякакви други условия, които могат да повлияят на работата на електрическите инструменти. При повреда ремонтирайте инструмента преди употреба. Много инциденти са причинени от лошо поддържани електрически инструменти.
- Дръжте режещите инструменти остри и чисти. Правилно поддържани режещи инструменти, с остри режещи ръбове е по-малко вероятно да се заклепят и по-лесно се контролират;
- Използвайте електрическия инструмент, аксесоарите, частите на инструмента и т.н в съответствие с тези инструкции, като вземете предвид условията на работа и вида работа, която ще бъде извършвана. Употребата на електрическия инструмент за дейности различни от предназначението може да доведе до опасни ситуации.
- Дръжте ръкохватките и повърхностите за захващане сухи, чисти и без масло и грес. Хлъзгавите ръкохватки и места за захващане не позволяват безопасно боравене и контролиране на инструмента при неочаквана ситуация.

УПОТРЕБА И ГРИЖА ЗА ИНСТРУМЕНТ НА БАТЕРИИ

- Презареждайте само с зарядно устройство определено от производителя. Зарядно устройство, което е подходящо за един тип акумулаторни батерии може да създаде риск от пожар, когато се използва с други акумулаторни батерии.
- Използвайте електроинструменти само със специфично обозначени акумулаторни батерии. Употребата на каквато и да е друга батерия може да създаде риск от нараняване или пожар.
- Когато акумулаторните батерии не са в употреба ги дръжте на разстояние от други метални обекти, като кламери, монети, ключове, пирони, отвертки или други малки метални предмети, които могат да направят свързване между клемите. Свързване на късо на клемите на акумулаторната батерия може да причини изгаряния или пожар.
- При условия на злоупотреба, течност може да се отдели от акумулаторната батерия; предотвратете контакт. Ако инцидентно възникне контакт, изплакнете с вода. Ако течност влезе в контакт с очите, допълнително потърсете медицинска помощ. Течност отделена от акумулаторната батерия може са предизвика възпаление или изгаряния.

- Следвайте всички инструкции за зареждане и не зареждайте батерията или инструмента извън температурния обхват зададен в инструкциите. Неправилното зареждане или зареждане извън определения температурен обхват може да повреди батерията и да повиши риска от пожар.
- Не използвайте акумулаторна батерия или инструмент, които са повредени или модифицирани. Повредените или модифицираните батерии може да проявят непредсказуемо поведение, което да доведе до пожар, експлозия или риск от нараняване.
- Не излагайте батерията или инструмента на огън или прекомерна температура. Излагането на огън или температура над 100 °C може да предизвика експлозия.
- Дръжте кабелите на батерията далеч от зоната на рязане. Кабелът може да бъде скрит в хроста по време на работа и да бъде срян инцидентно от ножа.
- Проверете плета за чужди предмети преди работа, примерно телени огради.
- Използвайте само ножица за жив плет с монтиран по подходящ начин предпазител. Употребата на ножицата за жив плет без подходящ предпазител може да доведе до сериозно нараняване!
- Използвайте двете ръце, когато работите с ножицата за жив плет. Използването на една ръка може да причини загуба на контрол и да доведе до сериозно нараняване.

ВАЖНИ ИНСТРУКЦИИ ЗА БЕЗОПАСНОСТ

ОБСЛУЖВАНЕ

- Обслужвайте вашия електрически инструмент чрез квалифициран техник, като използвате само осигурени резервни части. Това ще осигури поддържането на безопасността на електрическия инструмент.
- Никога не ремонтирайте повредени акумулаторни батерии. Ремонтът на акумулаторни батерии трябва да бъде извършван от производителя или оторизиран сервиз.

ПРЕДУПРЕЖДЕНИЯ ЗА БЕЗОПАСНОСТ ЗА НОЖИЦА ЗА ЖИВ ПЛЕТ

- Дръжте всички части на вашето тяло далеч от режещия нож. Не премествайте отрязания материал или не дръжте материала, който ще бъде отрязан, когато ножовете се движат. Уверете се, че превключвателят е изключен, когато почиствате заседнал материал. Момент невнимание по време на работата с ножицата за жив плет, може да доведе до сериозно лично нараняване.
- Носете ножицата за жив плет за ръкохватката при спрян режещ нож. Когато транспортирате или съхранявате ножицата за жив плет винаги поставяйте капака на режещото устройство. Правилната работа с ножицата за плет ще намали вероятността от възможно нараняване от режещите ножове.
- Дръжте електрическия инструмент само за изолираните повърхности за захващане, тъй като режещият нож може да влезе в контакт със скрит кабел. Режещите ножове в контакт с кабел под напрежение могат да направят откритите метални части под напрежение и могат да причинят на оператора токов удар.
- Не зареждайте акумулаторната батерия при дъжд или в мокра среда.
- Акумулаторната батерия, трябва да бъде премахната от уреда преди да бъде предаден за скрап.
- Не хващайте откритите режещи ножове или режещи ръбове, когато повдигате и дръжте ножицата за плет.
- Не използвайте за опора стълба, покрив, дърво или друга нестабилна повърхност. Стабилната стойка на краката върху твърда повърхност позволява по-добро управление на ножицата за плет в непредвидени ситуации.
- Никога не позволявайте на деца да работят с ножицата за жив плет.
- Никога не премахвайте или поправяйте устройствата за безопасност. Проверявайте тяхната правилна работа редовно. Никога не правете нещо, което да пречи на функцията по предназначение на устройство за безопасност или да намали защитата, предоставена от устройство за безопасност.
- Проверявайте на чести интервали ножа и монтажните болтове на мотора за правилно затягане. Също визуално проверете ножа за повреди (примерно огъвания, пукнатини и износване). Подменете ножа само с нож от EGO™.
- Подменете ножа ако е огънат или напукан. Разбалансиран нож причинява вибрации, които могат да повредят мотора или да причинят нараняване.
- Ако оборудването започне да вибрира неестествено, спрете мотора и незабавно проверете за причината.
- Ножицата трябва да бъде използвана за рязане на стълба с дебелина по-малка от 33 мм.
- Не измивайте с маркуч, избягвайте попадане на вода в мотора и електрическите връзки.

- Следвайте инструкциите за смазване и смяна на аксесоари.
- Дръжте ръкохватките сухи, чисти и без масло и грес.
- Запазете тези инструкции. Обръщайте се често към тях и ги използвайте за инструктиране на други, които може да използват този инструмент. Ако заемете този инструмент на някой друг, заемете им също и тези инструкции, за да се предотврати злоупотреба с продукта и вероятно нараняване.

ЗАПАЗЕТЕ ТЕЗИ ИНСТРУКЦИИ!

СПЕЦИФИКАЦИИ

Напрежение	56 V $\overline{\text{---}}$	56 V $\overline{\text{---}}$
Скорост на ножа	1800 /мин	1800 /мин
Дължина на ножа	65 см	75 см
Капацитет за рязане	31 мм	31 мм
Тегло на инструмента	4,1 кг	4,2 кг
Препоръчителна работна температура	0°C-40°C	0°C-40°C
Препоръчителна температура на съхранение	-20°C-70°C	-20°C-70°C
Измерено ниво на сила на звука L_{WA}	90,1 dB(A) K=2,9 dB(A)	95,4 dB(A) K=1,52 dB(A)
Ниво на звуково налягане при ухото на оператора L_{PA}	80,1 dB(A) K=3 dB(A)	83,9 dB(A) K=2,5 dB(A)
Гарантирано ниво на сила на звука L_{WA} (съгласно 2000/14/ЕС)	93 dB(A)	97 dB(A)
Вибрации при n	Задна ръкохватка	3,2 m/c^2 K=1,5 m/c^2
	Предна ръкохватка	3,9 m/c^2 K=1,5 m/c^2
		2,872 m/c^2 K=1,5 m/c^2

- Декларираният общ размер на вибрации е измерен в съответствие със стандартния метод за тест и може да бъде използван за сравнение между два инструмента;
- Декларираният общ размер на вибрации може също така да бъде използван за предварителна оценка на влиянието.

БЕЛЕЖКА: Вибрационните емисии по време на действителната употреба на електрическия инструмент може да се различава от декларираната стойност. С цел да се защити оператора, потребителят трябва да носи ръкавици и антифони в действителни условия на работа.

ОПАКОВЪЧЕН ЛИСТ

ИМЕ НА ЧАСТ	БРОЙ
Ножица за жив плет	1
Екран	1
Ръководство на оператора	1

ОПИСАНИЕ

ЗАПОЗНАЙТЕ СЕ С ВАШАТА НОЖИЦА ЗА ЖИВ ПЛЕТ (ФИГ. А)

1. Протектор за върха
2. Нож
3. Предпазител на ножа
4. Преден превключващ пост
5. Предна ръкохватка
6. Бутон за отключване
7. Заден превключващ пост
8. Задна ръкохватка
9. "U" кука
10. Цокъл
11. Предпазител за ръка
12. Екран

⚠ ПРЕДУПРЕЖДЕНИЕ: Този продукт е доставен напълно сглобен. Предпазителят за ръката никога не трябва да се отстранява по време на употреба. Щом се повреди, незабавно го подменете с помощта на квалифициран сервизен техник.

⚠ ПРЕДУПРЕЖДЕНИЕ: Безопасната употреба на този продукт изисква осъзнаване на информацията върху инструмента и в това ръководство, както и познание относно проекта, с който се захващате. Преди употреба на този продукт се запознайте с работни характеристики и правила за безопасност.

ЕКСПЛОАТАЦИЯ

⚠ ПРЕДУПРЕЖДЕНИЕ: Не позволявайте рутината с този продукт да ви направи непредазливи. Запомнете, че невнимание за малка част от секундата е достатъчна за да нанесе сериозно нараняване.

⚠ ПРЕДУПРЕЖДЕНИЕ: Винаги носете защита за очите със странични предпазители заедно със защита за слуха. Ако не го направите може да доведе до изхвърляне на предмети към очите ви и други

възможни сериозни наранявания.

▲ ПРЕДУПРЕЖДЕНИЕ: За да предотвратите случайно стартиране, което би могло да причини сериозно нараняване, винаги отстранявайте акумулаторния комплект от инструмента, когато монтирате части, извършвате настройки, почиствате или когато не се използва.

▲ ПРЕДУПРЕЖДЕНИЕ: Не използвайте други приставки или аксесоари, които не са препоръчани от EGO™. Употребата на приставки или аксесоари, които не са препоръчани, може да доведе до сериозно нараняване.

Преди всяка употреба инспектирайте целия продукт за повредени, липсващи или разхлабени части като винтове, гайки, болтове, капачки и др. Затегнете сигурно всички закопчалки и капачки и не работете с този продукт, докато всички повредени или липсващи части са подменени.

Продуктът може да бъде използван в дъжд.

МОНТИРАНЕ/ИЗВАЖДАНЕ НА АКУМУЛАТОРНАТА БАТЕРИЯ

Използвайте само с акумулаторни батерии и зарядни устройства изброени на фиг. А.

Заредете преди първата употреба.

При монтиране (Фиг. В & С & D)

При подравнено ▲ лого съответно на щепсела и на ножицата, вкарайте щепсела в ножицата, докато зеленото уплътнение се скрие напълно в цокълта.

Монтирайте кабела на батерията в "U" куката.

За да извадите (Фиг. Е)

Освободете кабела на батерията от "U" куката и издърпайте щепсела от ножицата.

СТАРТИРАНЕ/СПИРАНЕ НА НОЖИЦАТА ЗА ЖИВ ПЛЕТ

Преди работа, снемете предпазителя и захванете ножицата с две ръце, едната ръка на задната ръкохватка, а другата на предната ръкохватка. След това проверете баланса на разкрача си, правилната позиция на тялото и подходящата дистанция за рязане.

▲ ПРЕДУПРЕЖДЕНИЕ: Винаги дръжте и двете си ръце върху ръкохватките на ножицата за жив плет. Никога не захващайте шубраците с едната си ръка, докато работите с ножицата за жив плет с другата. Неспазването на това предупреждение може да доведе до сериозни наранявания.

▲ ПРЕДУПРЕЖДЕНИЕ: Когато спирате ножицата за жив плет, превключете бутон за отключване на

постоянно "OFF" (ИЗКЛ) преди да извадите батерията. Неспазването на това предупреждение може да доведе до сериозни наранявания.

За да стартирате

Натиснете бутона за отключване на позиция "ON" (ВКЛ) (фиг. F) и след това натиснете задния превключващ лост. С натиснат заден превключващ лост, продължете да натискате предния превключващ лост за стартиране.

Фиг. F описание на части виж долу:

F-1	Бутон за отключване
F-2	Заден превключващ лост

За да спрете

За спиране освободете някой от превключващите лостове и превключете бутона за отключване на позиция "OFF", за да предотвратите инцидентно стартиране.

ЗАБЕЛЕЖЕТЕ: И двата превключващи лоста трябва да се натиснат за да стартира ножицата за жив плет.

ХВАЩАНЕ НА НОЖИЦАТА ЗА ЖИВ ПЛЕТ

С ножа настрана от Вас, захванете ножицата с две ръце, като отделно захващате предната и задната ръкохватка. Трите посоки на държане могат да са подходящи за различни режещи операции (Фиг. G и H и I).

УПОТРЕБА НА НОЖИЦАТА ЗА ЖИВ ПЛЕТ

▲ ПРЕДУПРЕЖДЕНИЕ: Ако ножът заседне на някой електрически проводник или кабел, **НЕ ДОКОСВАЙТЕ НОЖА! ТОЙ МОЖЕ ДА Е ПОД ЕЛЕКТРИЧЕСКО НАПРЕЖЕНИЕ И МОЖЕ ДА БЪДЕ МНОГО ОПАСЕН.** Продължете да държите ножицата за плет за изолираната задна ръкохватка или я сложете легнала и на разстояние от вас по безопасен начин. Изключете електричеството към повредения проводник или кабел, преди да се опитате да освободите ножа от проводника или кабела. Неспазването на това предупреждение ще доведе до сериозни наранявания или възможна смърт.

▲ ПРЕДУПРЕЖДЕНИЕ: За да предотвратите сериозно нараняване, дръжте ръцете си настрана от ножовете. Не предприемайте преместване на отрязания материал или не дръжте материала, който ще бъде отрязан, когато ножовете се движат. Уверете се, че ножовете са напълно спрели и акумулаторната батерия е снета преди почистване на заседнали материали от ножовете. Нехващайте откритите режещи ножове или режещи ръбове, когато повдигате и дръжите уреда.

⚠ ПРЕДУПРЕЖДЕНИЕ: Почистете зоната, която трябва да бъде подрязана преди всяка употреба. Премахвайте всички предмети, като кабели, лампи или въжента, които могат да се оплетат в режещите ножове и да създадат опасност от сериозно нараняване.

⚠ ПРЕДУПРЕЖДЕНИЕ: Избягвайте да режете твърде много на веднъж или през дебели шубраци. Това може да накара ножовете да се заклещват и да се забавят, като се понижи ефективността на рязане.

ЗАБЕЛЕЖЕТЕ: За нови израстъци, е подходящо широко измиташо движение за почистване на стъблата, които се подават директно в режещия нож. За стари израстъци, режещото движение е добро за подрязване на по-дебелите стъбла. Предлага се ръчен трион без електрическо захранване или секач за почистване първо на големите стъбла.

Подрязване по горната част

Използвайте широко измиташо движение. Лек наклон надолу на режещите ножове по посока на движението дава най-добрите режещи резултати. За по-добра ефективност при рязане, можете също така да използвате връвта за насочване по нивото на храста както е показано на Фиг. J.

Странично подрязване

Когато подрязвате странично на живия плет, започнете от дъното и режете нагоре както е показано на Фиг. K.

Протектор за върха

Протекторът за върха (Фиг. L) се използва за предпазване на външния край на ножа.

Предпазител на ножа

Външната част на ножовете е оформена като предпазител за нож (Фиг. M).

Фиг. M описание на части виж долу:

M-1	Нож
M-2	Предпазител на ножа

⚠ ПРЕДУПРЕЖДЕНИЕ: Винаги проверявайте дали предпазителът на ножа не е повреден, или изкривен. Подменете го, ако е огънат или повреден.

ПОДДРЪЖКА

⚠ ПРЕДУПРЕЖДЕНИЕ: Когато обслужвате, използвайте само идентични резервни части. Употребата на каквито и да е други части може да създаде опасност или да предизвика повреда на продукта. За да осигурите безопасността и

надеждността, всички поправки трябва да се извършват от квалифициран сервизен техник.

⚠ ПРЕДУПРЕЖДЕНИЕ: За да избегнете нараняване, винаги сменяйте акумулаторната батерия от продукта, когато почиствате или извършвате поддръжка.

ПОЧИСТВАНЕ

- Използвайте мека четка за да премахнете натрупванията от всички колектори за въздух и режещия нож.
- За да премахнете смолата и други залепващи остатъци, направете ножа с разтворител за смола. Пуснете за кратко мотора, така че разтворителят да бъде равномерно разпределен.
- Забършете повърхността със суха кърпа.

⚠ ПРЕДУПРЕЖДЕНИЕ: Избягвайте употребата на разтворители, когато почиствате пластмасовите части. Повечето пластмаси са податливи на повреди от различни видове разтворители, предлагани в търговската мрежа. Използвайте чист плат, за премахване на мръсотия, прах, масло и т.н.

ЗАТОЧВАНЕ НА РЕЖЕЩОТО ОСТРИЕ

1. Извадете акумулаторната батерия от вашата ножица за жив плет
2. АНВ6500s/АНВ7500s: Stegните sklop noža u škripac i isturpajte golu reznu površinu svakog zuba noža. Uklanjajte što moguće manje materijala. АНВ6500/АНВ7500 (s oznakama "H" i "HARDENED" na površini noža): Stegните sklop noža u škripcu i oštrite nezaštićenu trznu površinu dijamanthom turpijom ili sporohodnom brusilicom (brzina vrtnje < 2500 o/min, brzina pomaka < 60 mm, granulacija > 100). Uklanjajte što moguće manje materijala.
3. Снемете ножицата за жив плет от менгемето и настройте ненаточената част от острието от другата страна да се подава.

Повторете горната процедура до заточване на всички зъби.

БЕЛЕЖКА: Не работете с вашата ножица за плет, когато режещите остриета са затъпени или повредени. Това може да причини претоварване и ще доведе до незадоволителни резултати при рязане.

БЕЛЕЖКА: Нормална метална пила не трябва да се използва за заточване на специалното острие АНВ6500/АНВ7500.

БЕЛЕЖКА: Когато използвайте шлайф с ниска скорост (скорост на въртене 2500 мин^{-1}) за да заточите режещото острие, навлажнявайте непрекъснато зъбите на острието по време на шлайфане.

СМАЗВАНЕ НА НОЖИЦАТА ЗА ЖИВ ПЛЕТ

⚠ ПРЕДУПРЕЖДЕНИЕ: Не смазвайте, докато ножицата за жив плет е все още свързана с батерията или работи.

Смазване на острието

За най-добра работа и по-дълъг живот на ножа, смажете ножа на ножицата за жив плет с леко моторно масло преди и след всяка употреба.

Снемете акумулаторната батерия и поставете ножицата легнала върху плоска повърхност. Нанесете маслото по протежение на ръба по горната част на острието (Фиг. N).

Смазване на предавателната кутия

а най-добра работа и по-дълъг живот, смазвайте предавателната кутия на ножицата за жив плет със специална грес (5-6g от #1 и 10-12g от #2 всеки път) след всеки 50 часа работа.

Специалната грес трябва да отговаря на следните изисквания.

1. Да отговаря на DIN51818: NLGI-2 степен на проникване на конус.
2. Съставена от поликарбамидни съставки + синтетично смазочно масло
3. Изключително ниска пускова температура, EP, механично срязване, устойчивост на абразия и стабилност на оксидиране.
4. Работната температура трябва да възлиза на $-40 \sim 180^{\circ}\text{C}$.

Отстранете щепсела на батерията и двата уплътняващи винта (Фиг. O). Смазване на предавателната кутия през отвора за масло.

НАПОМЕНА: kucište prijenosnika nemojte puniti mašću.

BG

ТРАНСПОРТИРАНЕ И СЪХРАНЕНИЕ

- Винаги поставяйте предпазителя на ножа върху ножа преди съхранение или транспортиране на ножицата за жив плет. Бъдете внимателни за да избегнете острите зъби на ножа.
- Почистете изцяло ножицата за жив плет преди съхраняване.

- Съхранете ножицата за жив плет на закрито, на сухо място, което е недостъпно до деца.

- Пазете я от корозивни препарати като градински химикали и сол за обезледяване.

⚠ ПРЕДУПРЕЖДЕНИЕ: Ножовите са остри. Когато работите с устройството на ножа, носете неплъзгащи защитни ръкавици за тежка употреба. Не поставяйте ръката или пръстите си между ножовете или в някоя друга позиция, където могат да бъдат защипани или срязани. НИКОГА не докосвайте ножовете или не обслужвайте уреда с монтирана акумулаторна батерия.

Опазване на околната среда



Не изхвърляйте електрическо оборудване, използвана батерия или зарядно устройство в домакинския отпадък! Отнесете продукта до упълномощена фирма за рециклиране и го предоставете за разделно събиране. Електрическите инструменти трябва да бъдат връщани в съоръжения за рециклиране съвместими с околната среда.

ОТСТРАНЯВАНЕ НА НЕИЗПРАВНОСТИ

ПРОБЛЕМ	ПРИЧИНА	РЕШЕНИЕ
Ножицата за жив плет не работи.	<ul style="list-style-type: none"> ■ Акумулаторната батерия не е закрепена към ножицата или няма електрически контакт между ножицата и батерията. ■ Акумулаторната батерия е изтощена. ■ Бутонът за заключване не е натиснат на позиция "ON" (ВКЛ) преди натискане на лостовете за превключване. ■ Акумулаторната батерия или ножицата за жив плет е твърде гореща. ■ Ножът е блокиран ■ Ножицата за жив плет е претоварена. 	<ul style="list-style-type: none"> ■ Извадете и поставете отново акумулаторната батерия към ножицата за жив плет. ■ Заредете акумулаторната батерия с посоченото зарядно устройство. ■ Преди използване на ножицата, потвърдете, че бутонът за заключване е отключен. ■ Позволете на акумулаторната батерия или ножицата да се охлади, докато температурата стане нормална. ■ Извадете акумулаторната батерия от инструмента. Премахнете внимателно препятствието и след това поставете батерията и рестартирайте инструмента. ■ Намалете натоварването на машината.
Прекалени вибрации или шум	<ul style="list-style-type: none"> ■ Сухи или корозирали ножове. ■ Ножовете или основата на ножа е изкривена. ■ Изкривени или повредени зъби. ■ Разхлабени болтове на ножовете. 	<ul style="list-style-type: none"> ■ Смажете ножовете. ■ Подменете с нов нож или основа. Свържете се със сервизен център на EGO за резервен нож или основа. ■ Подменете с нов нож. Свържете се със сервизен център на EGO за смяна на ножа. ■ Затегнете болтовете на ножа. Като използвате гаечен ключ, завъртете болтовете по часовника за да затегнете.

ГАРАНЦИЯ

ГАРАНЦИОННА ПОЛИТИКА EGO

Моля посетете уебсайта egopowerplus.eu за пълните условия по гаранционната политика на EGO.

PROČITAJTE KORISNIČKI PRIRUČNIK!



PROČITAJTE PRIRUČNIK ZA RUKOVATELJE

⚠ UPOZORENJE! Radi osiguranja sigurnosti i pouzdanosti sve popravke i zamjene treba obavljati kvalificirani servisni tehničar.

SIGURNOSNI SIMBOLI

Svrha sigurnosnih simbola je skretanje pozornosti na moguće opasnosti. Sigurnosni simboli i njihova objašnjenja zahtijevaju vašu potpunu pozornost i razumijevanje. Sami simboli upozorenja ne isključuju opasnost.

Upute i upozorenja koja pružaju nisu zamjena za propisne mjere za prevenciju nesreća.

⚠ UPOZORENJE! Prije korištenja ovog alata pobrinite se da sve upute u ovom korisničkom priručniku, uključujući sve sigurnosne simbole kao što su “**OPASNOST**”, “**UPOZORENJE**” i “**OPREZ**” pročitate s razumijevanjem. Zanemarivanje svih uputa navedenih u nastavku može rezultirati strujnim udarom, požarom i/ili teškim tjelesnim ozljedama.

ZNAČENJE SIMBOLA

SIGURNOSNI SIMBOL: ukazuje na **OPASNOST**, **UPOZORENJE** ILI **OPREZ**. Može se koristiti u kombinaciji s drugim simbolima ili piktogramima.

⚠ UPOZORENJE! Rukovanje električnim alatima može rezultirati odbacivanjem stranih predmeta u oči što opet može izazvati teška oštećenja očiju. Prije početka rukovanja električnim alatom uvijek nosite zatvorene zaštitne naočale ili zaštitne naočale s bočnim štitnicima, a prema potrebi i štitnik za cijelo lice. Preporučujemo nošenje sigurnosne maske proizvođača Wide Vision preko naočala, ili nošenje standardnih zaštitnih naočala s bočnim štitnicima.

SIGURNOSNE NAPOMENE

Na ovoj stranici slikovno su prikazani i objašnjeni sigurnosni simboli koji se mogu pojaviti na ovom proizvodu. Prije pokušaja sastavljanja i rukovanja s razumijevanjem pročitate sve upute na stroju i pridržavajte ih se.

	Simbol upozorenja	Ukazuje na potencijalnu opasnost od tjelesnih ozljeda.
	Pročitajte korisnički priručnik.	Zbog smanjenja opasnosti od ozljeda, korisnik treba pročitati korisnički priručnik.
	Ruke i stopala držite podalje od alata za rezanje	Nikada ne pokušavajte upravljati električnim alatom koristeći samo jednu ruku. Gubitak kontrole pri radu s električnim alatom može rezultirati ozbiljnom ili kobnom ozljedom. Da biste smanjili rizik od ozljeda, držite ruke i noge podalje od alata za rezanje. Pokretni alat za rezanje nikada nemojte učvršćivati rukom ili bilo kojim drugim dijelom tijela.
	Nosite zaštitu za oči	Kada rukujete ovim proizvodom, uvijek nosite zatvorene zaštitne naočale ili zaštitne naočale s bočnim štitnicima i štitnik za cijelo lice.
	Buka	Zajamčena razina zvučne snage: Emisija buke u okruženju u skladu je s Direktivom Europske unije.
	CE	Ovaj proizvod je u skladnosti s važećim direktivama EZ.
	UKCA	Ovaj proizvod sukladan je važećim zakonima u UK.
	WEEE	Otpadni električni materijal se ne smije baciti u obični kućni otpad. Predajte ju ovlaštenoj službi za recikliranje.
	Duljina oštrice	Dužina noža
	Kapacitet rezanja	Maks. kapacitet rezanja noža
	IP simbol	Zaštita od mlaza vode
	Volt	Napon
	Istosmjerna struja	Vrsta ili karakteristike struje
	U minuti	Okretaji u minuti

mm	Milimetar	Duljina ili veličina
cm	Centimetar	Duljina ili veličina
n ₀	Brzina bez opterećenja	Broj okretaja u praznom hodu

OPĆA UPOZORENJA O SIGURNOSTI ELEKTRIČNIH ALATA

⚠ UPOZORENJE! Pročitajte sva upozorenja, upute, ilustracije u vezi sigurnosti i tehničke podatke isporučene s ovim skupom alata. Zanemarivanje svih uputa navedenih u nastavku može rezultirati strujnim udarom, požarom i/ili teškim ozljedama.

Sva upozorenja i upute spremite za buduće potrebe.

Pojam „električni alat“ se u upozorenjima odnosi na sav alat s mrežnim napajanjem (s priključnim kabelom) ili s baterijskim napajanjem (bez priključnog kabela).

SIGURNOST RADNOG PODRUČJA

- **Područje za rad održavajte čistim i dobro osvijetljenim.** Pretrpana ili mračna područja izazivaju nesreće.
- **Nemojte koristiti alate s napajanjem u eksplozivnom okruženju, kao što je neposredna blizina zapaljivih tekućina, plinova ili prašine.** Električni alat stvara iskre koje mogu zapaliti prašinu ili isparenja.
- **Dok se koristite električnim alatom, djecu i promatrače udaljite od mjesta rada.** Ometanje može dovesti do gubitka kontrole nad alatom.

ELEKTRIČNA SIGURNOST

- **Utikači električnog alata moraju odgovarati utičnicu.** Ne izvodite nikakve preinake na utikaču. Utikače s adapterom nemojte koristiti s uzemljenim alatima. Nepreinačeni utikači i odgovarajuće utičnice smanjit će rizik od strujnog udara.
- **Izbjegavajte kontakt tijela s uzemljenim ili metalnim površinama kao što su slavine, radijatori, peći i hladnjaci.** Opasnost od električnog udara se povećava ako je vaše tijelo spojeno s uzemljenom površinom ili tlom.
- **Električni alat ne izlažite kiši ili mokrim uvjetima.** Prodiranje vode u električni alat povećat će rizik od strujnog udara.
- **Kabel iz baterijskog modula ne koristite nepropisno.** Kabel ne koristite za nošenje, povlačenje ili iskopčavanje električnog alata. Kabel držite dalje od topline, ulja, oštih rubova ili pokretnih dijelova. Oštećeni ili isprepleteni kabeli povećavaju rizik od

strujnog udara.

- **Kada električnim alatom radite na otvorenom, koristite produžni kabel prikladan za uporabu na otvorenom.** Korištenje kabela prikladnog za uporabu na otvorenom smanjuje rizik od strujnog udara.
- **Ako je korištenje električnog alata na vlažnim mjestima neizbježno, koristite izvor napajanja koji je zaštićen strujnom zaštitnom sklopkom (SZS).** Upotreba SZS će smanjiti opasnost od električnog udara.

OSOBNA SIGURNOST

- **Budite oprezni i koncentrirajte se na posao koji obavljate i ponašajte se razumno pri korištenju električnog alata.** Nemojte raditi s električnim alatom ako ste umorni ili pod utjecajem droge, alkohola ili lijekova. Trenutak nepažnje tijekom rada s električnim alatom može rezultirati teškim tjelesnim ozljedama.
- **Koristite osobnu zaštitnu opremu. Nosite zaštitu za oči.** Osobna zaštitna oprema kao što je maska protiv prašine, zaštitne cipele s potplatama protiv klizanja, zaštitna kaciga ili štitnici za sluh, koja se koristi za odgovarajuća stanja, umanjit će opasnost od ozljede.
- **Spriječite nehotično uključivanje alata.** Prije nego alat povežete na izvor napajanja i/ili dio sa baterijom, podizete ili nosite alat provjerite nalazi li se prekidač u položaju “isključeno”. Nošenje alata s prstom na sklopki ili priključivanje alata na napajanje s uključenom sklopkom pogoduje nezgodama.
- **Skinite s alata sve ključeve za podešavanje ili pritezanje prije uključivanja njegovog napajanja.** Viličasti ključ ili ključ za stezanje glave koji su ostali na rotirajućem dijelu električnog alata mogu izazvati ozljede.
- **Nemojte se pretjerano naginjati.** Cijelo vrijeme održavajte odgovarajuće držanje i ravnotežu. Na taj način ćete zadržati bolju kontrolu nad alatom u nepredviđenim situacijama.
- **Obucite se prikladno.** Ne nosite široku odjeću ili nakit. Kosu i odjeću držite dalje od pokretnih dijelova. Pokretni dijelovi mogu zahvatiti široku odjeću, nakit ili dugu kosu.
- **Ako postoje uređaji za povezivanje s usisivačima i skupljačima prašine, provjerite jesu li dobro spojeni i koriste li se ispravno.** Uporaba takve opreme umanjuje opasnost koja nastaje nakupljanjem prašine.
- **Zbog sigurnosti koju ste stekli zbog učestale upotrebe uređaja nemojte biti opušteni i zanemariti sigurnosna načela rukovanja s alatom.** Neoprezna radnja može dovesti do teške ozljede u djeliću sekunde.

KORIŠTENJE I BRIGA O ELEKTRIČNOM ALATU

- **Nemojte preopterećivati električni alat. Koristite alat koji odgovara poslu koji obavljate.** S prikladnim električnim alatom ćete posao obaviti bolje i sigurnije i predviđenom brzinom.
- **Nemojte koristiti alat ako ga sklopkom ne možete uključiti ili isključiti.** Električni alat koji se ne može uključiti ili isključiti sklopkom opasan je i treba ga popraviti.
- **Prije podešavanja, promjene nastavaka ili spremanja alata, odvojite utikač od električne utičnice i/ili izvadite baterijski modul iz alata (ako se može odvojiti).** Ova preventivna sigurnosna mjera će smanjiti opasnost od nehotičnog pokretanja električnog alata.
- **Električni alat koji ne koristite spremite izvan dohvata djece i nemojte dozvoliti da njime rade osobe koje nisu upoznate s električnim alatom ili s ovim uputama za rad s električnim alatom.** Električni alati su opasni u rukama neizvježbanih osoba.
- **Održavajte električni alat i pribor.** Provjerite da pokretni dijelovi alata nisu neporavnati ili zakočeni, da nema slomljenih dijelova ili drugih stanja koja mogu utjecati na rad električnog alata. Ako ima oštećenja, svakako ih prije korištenja otklonite. Mnoge nezgode su nastale upravo zbog slabog održavanja električnog alata.
- **Rezne alate održavajte oštroma i čistima.** Pravilno održavani rezni alati s oštrim reznim bridovima manje su skloni zaglavlivanju i njima se lakše upravljati;
- **Koristite električni alat, dodatnu opremu i nastavke u skladu s ovim uputama, uzimajući u obzir radne uvjete i vrstu rada koji će te obavljati.** Upotreba električnog alata za radove za koje on nije predviđen može dovesti do opasnih stanja.
- **Neka vam ruke i površine rukohvata budu suhe, čiste i bez ulja i masti.** Skliske ručke i površine za hvatanje ne omogućuju sigurno rukovanje i upravljanje alatom u neočekivanim situacijama.

KORIŠTENJE I NJEGA BATERIJSKOG ALATA

- **Punjenje obavljajte samo s punjačem kojeg je naveo proizvođač.** Punjač koji je prikladan za jedan tip kompleta baterija može stvoriti rizik od požara ako ga se koristi s drugim kompletom baterija.
- **Električni alat koristite samo s izričito navedenim kompletima baterija.** Korištenje drugih kompleta baterija može stvoriti rizik od ozljeda i požara.
- **Kada baterijski modul nije u upotrebi, čuvajte ga što dalje od metalnih predmeta kao što su spajalice, novčići, ključevi, čavli, vijci i drugi mali metalni**

predmeti koji mogu kratko spojiti priključke. Kratko spajanje baterijskih kontakata može prouzročiti opekline ili požar.

- **U slučaju pogrešne uporabe, baterija može izbaciti tekućinu; izbjegavajte kontakt. Ako slučajno dođe do doticaja, mjesta doticaja isperite vodom.** Ako tekućina dođe u doticaj s očima, dodatno potražite pomoć liječnika. Tekućina koju izbací baterija može prouzročiti nadražaj kože ili opekline.
- **Slijedite sve upute za punjenje i nemojte puniti baterijski modul ili alat izvan raspona temperature navedenog u uputama.** Nepravilno punjenje ili punjenje na temperaturi izvan zadanog raspona može dovesti do oštećenja baterije i povećavanja opasnosti od nastanka požara.
- **Nemojte rabiti ako je pakiranje oštećeno ili otvoreno.** Oštećene ili izmijenjene baterije mogu se nepredviđeno ponašati, što može dovesti do požara, eksplozije i posljedičnih ozljeda.
- **Baterijski modul nemojte izlagati vatri i prekomjernim temperaturama.** Izlaganje utjecaju vatre i temperature iznad 100°C može dovesti do eksplozije.

SERVISIRANJE

- **Servisiranje strojnog alata prepustite kvalificiranom osoblju za popravak koje koristi samo identične zamjenske dijelove.** Time će se osigurati održavanje sigurnosti strojnog alata.
- **Nemojte popravljati oštećeni baterijski modul.** Popravak baterijskog modula smije izvršiti samo proizvođač ili ovlašteni serviser.

SIGURNOSNA UPOZORENJA U POGLEDU ŠIŠAČA ŽIVICE

- **Sve dijelove tijela držite podalje od rotirajućeg noža. Kada se oštrice kreću, ne uklanjajte odrezani materijal ili ne držite materijal koji je potrebno rezati. Kada uklanjate zaglavljeni materijal, uvjerite se da je sklopka u isključenom položaju.** Trenutak nepažnje tijekom rada sa šišačem živice može rezultirati teškim tjelesnim ozljedama.
- **Šišač živice nosite za dršku s reznim nožem u zaustavljenom položaju.** Kada šišač živice transportirate ili skladištite, uvijek postavite štitnik. Pravilno rukovanje šišačem živice smanjuje moguću osobnu ozljedu reznim noževima.
- **Električni alat držite samo za izolirane površine za držanje jer rezni nož može biti u dodiru sa skrivenim ožičenjem.** Ukoliko su rezni noževi u dodiru s kabelom pod naponom, postoji opasnost da izloženi metalni dijelovi električnog alata također budu pod naponom, uslijed čega rukovatelj može doživjeti strujni udar.

- **Kabel držite dalje od područja rezanja.** Tijekom rada kabel može biti skriven u grmovima i može ga se slučajno odrezati nožem.
- Prije rada provjerite živicu u pogledu stranih predmeta, npr. žičane ograde.
- Šišač živice koristite samo ako je štitnik pravilno montiran. Ako šišač živice koristite bez odgovarajućeg štitnika, može doći do teških tjelesnih ozljeda!
- **Prilikom rada sa šišačem živice upotrijebite obje ruke. Rad s jednom rukom može uzrokovati gubitak kontrole i ozbiljne tjelesne ozljede.**

VAŽNE UPUTE U VEZI SIGURNOSTI

- Baterijski modul nemojte puniti na kiši ili mokrim mjestima.
- Prije odlaganja uređaja na otpad, baterijski modul treba izvaditi iz uređaja.
- Prilikom podizanja ili držanja šišača živice nemojte hvatati izložene rezne noževe ili rezne rubove.
- Stroj nemojte koristiti na ljestvama, krovu, stablu ili drugoj nestabilnoj podlozi. Stabilna podloga na čvrstoj površini omogućuje bolju kontrolu rezanja živice u neočekivanim situacijama.
- Nikad ne dopuštajte djeci da rade sa šišačem živice.
- Nikada ne skidajte i ne dirajte sigurnosne naprave. Redovito vršite provjeru ispravnosti njihovog rada. Nikada ne ometajte predviđenu funkciju sigurnosne naprave i ne ograničavajte zaštitu koju pruža sigurnosna naprava.
- Provjerite pričvršne vijke noževa i motora u čestim intervalima, u pogledu odgovarajuće zategnutosti. Također, vizualno pregledajte nož u pogledu oštećenja (npr. savinuća, napuknuća i istrošenosti). Nož mijenjajte samo drugom originalnim nožem EGO™.
- Zamijenite nož ako je savijen ili napuknut. Neuravnoteženi nož uzrokuje vibracije koje mogu oštetiti pogonski motor ili uzrokovati ozljede osoba.
- Ako oprema počne neobičajeno vibrirati, zaustavite rad motora i odmah potražite uzrok.
- Škare se trebaju koristiti za rezanje grančica tanjih od 33 mm.
- Uređaj ne perite sa crijevom; izbjegavajte da voda dospije u motor i električne priključke.
- Slijedite upute za podmazivanje i zamjenu dodatke opreme.
- Neka vam ruke budu suhe, čiste i bez ulja i masti.
- Sačuvajte ove upute. Koristite upute često i koristite ih za upućivanje drugih osoba koje mogu koristiti ovaj alat. Ako ovaj alat nekom posudite, posudite i ove upute radi sprečavanja neispravnog korištenja proizvoda i mogućih ozljeda.

SAČUVAJTE OVE UPUTE!

TEHNIČKI PODACI

Napon	56 V ---	56 V ---
Brzina noža	1800 /min	1800/ min
Duljina oštrice	65 cm	75 cm
Kapacitet rezanja	31 mm	31 mm
Težina alata	4,1 kg	4,2 kg
Preporučena radna temperatura	0°C - 40°C	0°C - 40°C
Preporučena temperatura skladištenja	-20°C - 70°C	-20°C - 70°C
Izmjerena razina zvučne snage L_{WA}	90,1 dB(A) K=2,9 dB(A)	95,4 dB(A) K=1,52 dB(A)
Razina zvučnog tlaka kod uha rukovatelja L_{PA}	80,1 dB(A) K=3 dB(A)	83,9 dB(A) K=2,5 dB(A)
Zajamčena razina zvučne snage L_{WA} (u skladu s 2000/14/EZ)	93 dB(A)	97 dB(A)
Vibracija a_h	Stražnji rukohvat K=1,5 m/s ²	2,872 m/s ² K=1,5 m/s ²
	Prednja drška K=1,5 m/s ²	3,536 m/s ² K=1,5 m/s ²

- Deklarirane ukupne vrijednosti vibracija izmjerene su u skladu sa standardnom metodom ispitivanja i mogu se koristiti za usporedbu jednog alata s drugim.
- Deklarirane ukupne vrijednosti vibracija mogu se koristiti i u preliminarnoj procjeni izloženosti.

NAPOMENA: emisija vibracija tijekom aktualnog korištenja električnog alata može se razlikovati od deklarirane vrijednosti u kojoj se alat koristi; Radi zaštite rukovatelja korisnik treba nositi rukavice i štitnike za uši u aktualnim uvjetima korištenja.

SADRŽAJ PAKIRANJA

Naziv dijela	КОЛИЧЕСТВО
Šišač živice	1
Štitnik	1
Korisnički priručnik	1

OPIS

UPOZNAJTE SVOJ ŠIŠAČ ŽIVICE (sl. A)

1. Štitnik vrha
2. Nož
3. Štitnik oštrice
4. Ručica prednje sklopke
5. Prednja drška
6. Gumb za otključavanje
7. Ručica stražnje sklopke
8. Stražnja drška
9. „U“ kuka
10. Podnožje
11. Štitnik za ruku
12. Štitnik

⚠ UPOZORENJE! Ovaj uređaj isporučuje se u potpunosti sastavljen. Štitnik za ruku nikada se ne smije uklanjati za vrijeme upotrebe. Ako se ošteti, odmah ga treba zamijeniti kvalificirani tehničar servisa.

⚠ UPOZORENJE! Kako biste uređaj mogli koristiti na siguran način, morate razumjeti podatke navedene na samom alatu i u ovom korisničkom priručniku, a potrebno je imati i znanje u vezi zadatak kojeg treba izvršiti. Prije korištenja ovog proizvoda, upoznajite se sa svim radnim funkcijama i pravilima o sigurnosti.

RAD

⚠ UPOZORENJE! Nemojte dopustiti da vas poznavanje ovog proizvoda učini nepažljivim. Imajte na umu da je za nanošenje teških ozljeda dovoljan samo djelić sekunde nepažnje.

⚠ UPOZORENJE! Nosite zaštitu za oči s bočnim štitnicima i zaštitu za sluh. Nepostupanje u skladu s tim može rezultirati odbacivanjem predmeta u oči i drugim mogućim teškim ozljedama.

⚠ UPOZORENJE! Kako biste spriječili slučajno pokretanje koje bi moglo prouzročiti teške tjelesne ozljede, prije montiranja dijelova, podešavanja, čišćenja ili nekorištenja, uklonite baterijski modul iz alata.

⚠ UPOZORENJE! Nemojte koristiti priključke ili dodatnu opremu koje nije preporučila tvrtka EGO™. Uporaba priključaka ili pribora koji nije preporučen može dovesti do ozbiljnih tjelesnih ozljeda.

Prije svake uporabe pregledajte cijeli proizvod u pogledu oštećenja, dijelova koji nedostaju ili odvojenih dijelova kao što su vijci, matice, svornjaci, kapice i sl. Dobro pritegnite sve pričvrstne elemente i kapice i ne koristite proizvod dok se svi dijelovi koji nedostaju ili oštećeni dijelovi ne zamijene.

Proizvod se smije upotrebljavati na kiši.

UGRADNJA/UKLANJANJE BATERIJSKOG MODULA

Upotrebljavajte samo s baterijskim modulima i punjačima koji su navedeni na sl. A.

Napunite prije prve uporabe.

Ugradnja (sl. B & C & D)

Kada se poravnaju logotipovi ▲ na utikaču i škarama za živicu, počnite gurati utikač u škare za živicu dok zelena brtva potpuno ne nestane u utičnici.

Zakvačite kabel baterije u „U“ kuku.

Uklanjanje (sl. E)

Otpustite kabel baterije s „U“ kuke i izvucite ga iz škara za živicu.

POKRETANJE/ZAUSTAVLJANJE ŠIŠAČA ŽIVICE

Prije upotrebe, uklonite štitnik i škare držite s obje ruke – jednom za stražnju, a drugom za prednju dršku. Nakon toga provjerite je li vam uporište uravnoteženo, položaj tijela i jeste li odmaknuli na pravilnu udaljenost za rezanje.

⚠ UPOZORENJE! Objе ruke držite na drškama šišača živice. Ni u kojem slučaju nemojte jednom rukom držati žbunje, a drugom upotrebljavati šišač živice. Ako se ne držite ovog upozorenja, mogli biste se teško ozlijediti.

⚠ UPOZORENJE! Ako želite zaustaviti škare za živicu, postavite gumb za otključavanje u položaj „OFF“ prije uklanjanja baterijskog modula. Neuvažavanje ovog upozorenja može dovesti do ozbiljne ozljede.

Pokretanje

Postavite gumb za otključavanje u položaj „ON“ (sl. F) i zatim pritisnite ručicu stražnje sklopke. Kada je gurnuta ručica stražnje sklopke, nastavite pritisnati ručicu prednje sklopke kako biste pokrenuli uređaj.

Opis dijelova na Sl. F pogledajte u nastavku:

F-1	Gumb za otključavanje
F-2	Ručica stražnje sklopke

Zaustavljanje

Otpustite ručicu sklopke koju želite zaustaviti i postavite gumb za otključavanje u položaj „OFF“ kako biste spriječili nehotično pokretanje.

OBAVIJEST: Za rad šišača živice potrebno je pritisnuti obje ručice sklopke.

DRŽANJE ŠKARA ZA ŽVICU

Kada je nož okrenut od vas, držite škare s dvije ruke, jednom uhvatite prednju, a drugom stražnju dršku. Tri zasebna smjera držanja prilagođena su različitim postupcima rezanja (sl. G, H i I).

UPOTREBA ŠIŠAČA ŽIVICE

⚠ UPOZORENJE! Ako se nož zaglavi na bilo kojem električnom kabelu ili vodu, **NEMOJTE DIRATI NOŽ! ON MOŽE BITI PO D ELEKTRIČNIM NAPONOM I TIME VRLO OPASAN.** Škare za živicu nastavite držati za izoliranu stražnju dršku ili ih na siguran način položite na tlo i dalje od sebe. Prije pokušaja oslobađanja noža iz električnog voda ili kabela isključite električno napajanje oštećenog voda ili kabela. Nepoštivanje ovog upozorenja može dovesti do teških tjelesnih ozljeda, čak i smrti.

⚠ UPOZORENJE! Držite ruke podalje od noževa kako se ne biste teško ozlijedili. Nemojte pokušavati odstraniti odrezani materijal niti nemojte držati materijal dok se noževi kreću. Prije čišćenja zaglavljeno materijala iz noževa, provjerite jesu li se noževi potpuno zaustavili i jeste li izvadili baterijski modul. Prilikom podizanja ili držanja uređaja nemojte hvatati gole rezne noževe ili rezne bridove.

⚠ UPOZORENJE! Prije svake uporabe očistite radno područje. Uklonite predmete kao što su kabeli, svjetiljke, žice i užad koji se mogu zaglaviti u reznom nožu i tako povećati opasnost od teških tjelesnih ozljeda.

⚠ UPOZORENJE! Nemojte predugo rezati bez prestanka i nemojte rezati gusto grmlje. U protivnom bi se mogli saviti i usporiti noževi, zbog čega će opasti učinkovitost rezanja.

OBAVIJEST: Kada režete novoizrasle grančice, koristite široke pokrete kao da kosite tako da grančice ulaze izravno u rezni nož. Kada režete starije raslinje, za rezanje debljih grančica bit će dovoljan pokret kao da pilite. Ako želite odrezati najprije velike grane, predlažemo da koristite ručnu pilu ili pilu za podrezivanje.

Rezanje s vrha

Koristite široki pokret. Ako rezne noževe nagnete blago prema dolje u smjeru pomicanja, postići ćete najbolje rezultate. Još bolji učinak postići ćete ako koristite uže prema kojem ćete poravnati visinu reza živice, kao što je prikazano na slici J.

Bočno rezanje

Kada šišate bočne strane živice, započinite na dnu i pomičite se prema vrhu, kako je prikazano na slici K.

Štitnik vrha

Štitnik vrha (sl. L) koristi se za zaštitu vanjskog kraja noža.

Štitnik oštrice

Vanjski dio noževa oblikova je prema štitnicima noževa (Sl. M).

Opis dijelova na sl. M pogledajte u nastavku:

M-1	Nož
M-2	Štitnik oštrice

⚠ UPOZORENJE! Uvijek provjerite je li štitnik noža oštećen ili izobličen. Zamijenite ga ako je savijen ili oštećen.

ODRŽAVANJE

⚠ UPOZORENJE! Pri servisiranju koristite samo identične zamjenske dijelove. Korištenje drugih dijelova može izazvati opasnost ili prouzročiti oštećenje proizvoda. Radi osiguranja sigurnosti i pouzdanosti sve popravke treba obavljati kvalificirani servisni tehničar.

⚠ UPOZORENJE! Radi izbjegavanja teških tjelesnih ozljeda, pri čišćenju ili obavljanju podešavanja komplet baterija uvijek izvadite iz proizvoda.

ČIŠĆENJE

- Za uklanjanje ostataka sa svih otvora za zrak i s reznog noža koristite meku četku.
- Da biste uklonili smolu i druge ljepljive ostatke, poprskajte nož otapalom za smolu. Pokrenite motor kratko tako da se otapalo ravnomjerno rasporedi.
- Prebrišite površinu suhom krpom.

⚠ UPOZORENJE! Pri čišćenju plastičnih dijelova izbjegavajte koristiti otapala. Većina plastike podložna je oštećenju različitih vrsta komercijalnih otapala. Za uklanjanje nečistoće, prašine, ulja, masti i sl. koristite čiste krpe.

OŠTRENJE NOŽA ZA REZANJE

1. Izvadite baterijski modul iz šišača za živicu.
2. ANH6500S/ANH7500S: Zategnete vjezela na noža u menüme i izpillete izdavaščata se režešča povърхност na всеки зъб на ножа. Отстранете колкото се може по-малко материал. ANH6500/ANH7500 C “” и “ЗАКАЛЯВАНЕ” на повърхността на ножа): Zategnete vjezela na noža u menüme i izpillete izdavaščata se režešča povърхност с диамантена пила или нискооборотен шлайф

(скорост на вртене < 2500 мин⁻¹, скорост на подаване < 60 мм/мин, зърнистост > 100).

Отстранете колкото се може по-малко материал.

3. Izvadite šišač živice iz škripca i prilagodite nenaoštreni nož na njegovoj drugoj otkrivenoj strani.

Ponavljajte gornji postupak dok ne naoštrite sve zube noža.

OBAVIJEST: Šišač živice nemojte upotrebljavati sa zatupljenim ili oštećenim noževima. To može dovesti do preopterećenja i dat će nezadovoljavajuće rezultate u radu.

OBAVIJEST: Normalna metalna turpija ne može se koristiti za oštrenje posebnog noža AHB6500/AHB7500.

OBAVIJEST: Kada upotrebljavate sporohodnu brusilicu (brzina vrtnje < 2500 o/min) za oštrenje reznog noža, za vrijeme brušenja neprekidno hladite zube vodom.

PODMAZIVANJE ŠKARA ZA ŽIVICU

⚠ UPOZORENJE: Nemojte vršiti podmazivanje dok su škare za živicu još povezane s akumulatorom ili dok su u redu.

Podmazivanje noža

Najbolje rezultate i dug radni vijek noža osigurat ćete ako rezni nož škara za živicu podmažete lakim strojnim uljem nakon svake upotrebe.

Uklonite baterijski modul i položite šišač na ravnu površinu. Po rubu gornjeg noža nanesite ulje (sl. N).

Podmazivanje kućišta reduktora

Najbolji rad i duži radni vijek osigurat ćete ako kućište reduktora škara za živicu podmažete posebnom mašću (5-6 g u #1 i 10-12 g u #2 svaki put) nakon 50 sati rada.

Posebna mast mora zadovoljavati sljedeće uvjete.

1. Pripada uz DIN51818: NLGI-2 stupanj koničnog prodiranja.
2. Sastoji se od razrjeđivača s poliureom i sintetičkog ulja za podmazivanje.
3. Svojstva su odlično pokretanje pri niskoj temperaturi, EP mehaničko smicanje, otpornost na rezanje i oksidacijska stabilnost.
4. Radna temperatura mora biti u rasponu -40~180°C.

Uklonite utikač akumulatora i dva vijka za brtvljenje (sl. O). Podmazivanje kućišta reduktora kroz otvor za ulje.

ЗАБЕЛЕЖКА: Не пълнете докрай корпуса на редуктора с грес.

TRANSPORT I SKLADIŠTENJE

- Obvezno postavite štitnik prije skladištenja ili transporta škara za živicu. Budite oprezni kako biste izbjegli oštre zube noža.
- Šišač živice temeljito očistite prije skladištenja.
- Šišač živice pohranite na suhom mjestu koje nije dostupno djeci.
- Držite ga dalje od korozivnih sredstava kao što su vrtno kemikalije i soli za odleđivanje.

⚠ UPOZORENJE! Nož je oštar. Prilikom rukovanja sklopom noža nosite zaštitne rukavice koje se ne klizu, za teške radne uvjete. Ne stavljajte ruke ili prste između oštrica noža ili na bilo koje mjesto gdje bi moglo doći do štipanja ili rezanja. NIKADA nemojte dodirivati nož ili servisirati uređaj dok je postavljena akumulatorska baterija.

Zaštita okoliša



Električnu opremu, iskorištenu bateriju i punjač ne odlažite u otpad iz kućanstva! Ovaj proizvod odnesite u ovlaštenu centar za reciklažu i time omogućite odvojeno sakupljanje. Električne alate potrebno je vratiti u ekološki prihvatljiv pogon za reciklažu.

OTKLANJANJE POGREŠKI

PROBLEM	ПРИЧИНА	РЕШЕНИЕ
Šišač živice ne radi.	<ul style="list-style-type: none"> ■ Baterijski modul nije postavljen u škare za živicu ili nema električnog kontakta između škara za živicu i baterije. ■ Komplet baterija je ispražnjen. ■ Gumb za zaključavanje nije postavljen u položaj „ON“ prije korištenja ručica sklopki. ■ Baterijski modul ili škare za živicu previše su vrući. ■ Nož je zaglavljen. ■ Škare za živicu su preopterećene. 	<ul style="list-style-type: none"> ■ Vratite baterijski modul u škare za živicu. ■ Baterijski modul punite u posebnoj punjaču. ■ Prije korištenja škara za živicu, provjerite je li gumb za fiksiranje otklučan. ■ Pričekajte da se baterijski modul ili škare za živicu ohlade na uobičajenu temperaturu. ■ Izvadite baterijski modul iz alata. Pažljivo uklonite prepreku, zatim ponovno umetnite bateriju i ponovno pokrenite alat. ■ Smanjite opterećenje stroja.
Prekomjerne vibracije ili buka.	<ul style="list-style-type: none"> ■ Suh ili korodiran nož. ■ Oštrice ili držač noža su savijeni. ■ Savijeni ili oštećeni zupci. ■ Otpušteni vijci noža. 	<ul style="list-style-type: none"> ■ Podmažite nož. ■ Zamijenite novim držačem noža. Za zamjenske dijelove obratite se ovlaštenom servisnom centru tvrtke EGO. ■ Zamijenite novim nožem. Za zamjenu noža obratite se ovlaštenom servisnom centru tvrtke EGO. ■ Zategnite vijke noža. Viličastim ključem zategnite vijak okretanjem udesno.

JAMSTVO

JAMSTVENA POLITIKA PROIZVOĐAČA EGO

Za cjelokupne uvjete jamstvene politike proizvođača EGO posjetite internetsku stranicu egopowerplus.eu.

სრულად გაეცანით ინსტრუქციას!



გაეცანით მომხმარებლის ინსტრუქციას

▲ გაფრთხილება: ხელსაწყოს უსაფრთხოდ და გამართულად მუშაობისთვის საჭიროა მისი ყველა შეკეთება და ნაწილის შეცვლა შესრულდეს კვალიფიციური სერვისის ტექნიკოსის მიერ.

უსაფრთხოების წესის სიმბოლოები

უსაფრთხოების წესის სიმბოლოების მიზანია მიაქციოთ ყურადღება შესაძლო საფრთხეებს. ყურადღებით გაეცანით და შეისწავლეთ უსაფრთხოების წესის სიმბოლოები და მათი შესაბამისი განმარტებები. უსაფრთხოების წესის სიმბოლოების მინიშნებები თავისთავად არ ანეიტრალებს რაიმე საფრთხის არსებობის რისკს.

მათ მიერ მოწოდებული ინსტრუქციები და გაფრთხილებები არ არიან შემთხვევის თავიდან აცილების სწორი პროცედურის შემცველები.

▲ გაფრთხილება: ხელსაწყოს გამოყენებამდე დაწვრილებით გაეცანით და შეისწავლეთ ყველა უსაფრთხოების წესი მომხმარებლის ამ ინსტრუქციაში, მათ შორის ყველა უსაფრთხოების წესის სიმბოლო როგორცაა „სამიშროება“, „გაფრთხილება“ და „ყურადღება“. ქვემოთ ჩამოთვლილი ყველა ინსტრუქციის უგულვებელყოფამ შესაძლოა გამოიწვიოს ელექტრული შოკი, ხანძარი და/ან მოგაყენოთ სერიოზული პირადი ზიანი.

სიმბოლოების მნიშვნელობა

უსაფრთხოების შეტყობინების სიმბოლო: აღნიშნავს - „სამიშროება“, „გაფრთხილება“ ან „ყურადღება“. შესაძლოა გამოყენებულ იქნას სხვა სიმბოლოებთან ან პიქტოგრამებთან ერთად.

▲ გაფრთხილება: ელექტრული ხელსაწყოს გამოყენებისას შესაძლოა უცხო სხეულის თვალების მიდამოში მოხვედრა, რამაც შესაძლოა გამოიწვიოს თვალის მნიშვნელოვანი დაზიანება. ელექტრული ხელსაწყოს გამოყენებამდე აუცილებლად მორიგეთ უსაფრთხოების თვალსაფარი ან სათვალე მყარი თვალის დამცავებით და მთლიანი სახის ეკრანით. ჩვენ რეკომენდაციას ვუწევთ ფართო ხედვის არის მქონე უსაფრთხოების ნიღაბს სათვალეებთან ერთად ან სტანდარტულ გვერდითა ეკრანების მქონე უსაფრთხოების სათვალეებს.

უსაფრთხოების წესის ინსტრუქცია

ეს გვერდი აჩვენებს და აღწერს იმ უსაფრთხოების წესის სიმბოლოებს, რომლებიც შესაძლოა აღბეჭდილია მოცემულ პროდუქტზე. წაიკითხეთ, შეისწავლეთ და მიყევით ხელსაწყოს ყველა ინსტრუქციას მის აწყობამდე და ჩართვამდე.

	<p>უსაფრთხოების ნიშანი</p>	<p>აღნიშნავს შესაძლო პირადი ზიანის საფრთხეს.</p>
	<p>გაეცანით მომხმარებლის ინსტრუქციას</p>	<p>დაზიანების რისკის შესამცირებლად მომხმარებელმა უნდა წაიკითხოს ხელსაწყოს მუშაობის ინსტრუქცია.</p>

	მოარი- დეთ ხელეზ-ი და ფეხ-ები მჭრელ ნაწილ- ებს	ამან შესაძლოა გამოიწვიოს ხელსაწყოზე კონტროლის დაკარგვა და მოგაყენოთ სერიოზული ან ფატალური ზიანი. დაზიანების რისკის შესამცირებლად მოარიდეთ ხელეზი და ფეხები მჭრელ ნაწილებს. არასოდეს მიამაგროთ მოძრავი ხელსაწყო თქვენი ხელით ან სხეულის სხვა ნაწილით.
	გაკეთეთ თვალეზის დამცავი	ყოველთვის მოირგეთ უსაფრთხოების თვალსაფარი ან გვერდითა ეკრანების მქონე უსაფრთხოების სათვალე და მილიანი სახის ეკრანი ხელსაწყოთი სარგებლობისას.
	ხმაური	გარანტირებული ხმის სიმძლავრის დონე. გარემოში ხმაურის გავრცელების დონე ევროკავშირის რეგულაციების შესატყვისია.
	CE	ხელსაწყო შეესაბამება ევროკავშირის მიერ წამოყენებულ რეგულაციებს.
	გსცო	ეს პროდუქტი შეესაბამება დიდი ბრიტანეთის მოქმედ კანონმდებლობას.
	WEEE	ელექტრული ხელსაწყოების უტილიზაცია არ უნდა მოხდეს საყოფაცხოვრებო ნარჩენებთან ერთად. წაიღეთ ხელსაწყო ავტორიზირებულ ნარჩენების გადამამუშავებელთან.
	დანის სიგრძე	დანის სიგრძე
	ჭრის უნარი	დანის მას. ჭრის უნარი
IPX5	IP სიმბოლო	წყლის ჭავლისგან დაცვა
V	ვოლტი	ძაბვა
	მუდმივი დენი	დენის ტიპი ან სახე

.../min	წუთში	ბრუნთა რიცხვი წუთში
mm	მილიმეტრი	სიგრძე ან ზომა
cm	სანტიმეტრი	სიგრძე ან ზომა
n ₀	დაუტვირთავი ბრუნვის სიჩქარე	დაუტვირთავი სვლის სიჩქარე

ელექტრული ხელსაწყო უსაფრთხოების ზოგადი მაჩვენებლები

⚠ გაფრთხილება: გაეცანით ამ ელექტრულ ხელსაწყოსთან დაკავშირებულ ყველა უსაფრთხოების მითითებას, ინსტრუქციას, ილუსტრაციას და სპეციფიკაციას. ქვემოთ ჩამოთვლილი ყველა ინსტრუქციის უზუსტობელყოფამ შესაძლოა გამოიწვიოს ელექტრული შოკი, ხანძარი და/ან მოგაყენოთ სერიოზული ზიანი.

შეინახეთ ყველა მითითება და ინსტრუქცია სამომავლოდ გამოყენებისთვის.

ტერმინი „ელექტრული ხელსაწყო“ უსაფრთხოების ინსტრუქციაში შეესაბამება ქსელიდან (სადენით) ან აკუმულატორით (უსადენო) მიღებულ დენზე მომუშავე ელექტრულ ხელსაწყოს.

სამუშაო არეს უსაფრთხოება

- დაიცავით სამუშაო არის სისუფთავე და იკონიეთ კარგი განათება. ჩახერგილი ან ბნელი სამუშაო არე იწვევს ინციდენტებს.
- არ ამუშაოთ ელექტრული ხელსაწყო ჰაერში ფეთქებადი საშუალებების არსებობისას, როგორცაა აალებადი სითხეები, აირები ან მტვერი. ელექტრული ხელსაწყოები წარმოქმნიან ნაპერწკალს, რომელმაც შესაძლოა აანთოს მტვერი ან აირი.
- ელექტრული ხელსაწყოთი სარგებლობისას მოარიდეთ მას ბავშვები და სხვა პირები. ყურადღების გაფანტვას შეუძლია გამოიწვიოს ხელსაწყოზე კონტროლის დაკარგვა.

ელექტრული უსაფრთხოება

- ელექტრული ხელსაწყოთა დენის ჩანგალი უნდა ერგებოდეს შტეტსელს. არასოდეს გაუკეთეთ მოდიფიცირება ხელსაწყოთა დენის ჩანგალს. არ გამოიყენოთ ადაპტორები ისეთი ხელსაწყოების დენის ჩანგალზე, რომელსაც აქვს დამიწება. არსებული დენის ჩანგალი და მისი შესაბამისი შტეტსელის არსებობა ამცირებს ელექტრული შოკის რისკს.
- მოერიდეთ სხეულით დამიწებული საგნების ზედაპირებთან კონტაქტს, როგორცაა მიწები, რადიატორები, ქურები და მაგივრები. ელექტრული შოკის მიღების რისკი იზრდება თუ თქვენი სხეული დამიწებულია.
- არ დატოვოთ ელექტრული ხელსაწყოები წვიმაში ან სველ ადგილას. ელექტრულ ხელსაწყოში შესული წყალი ზრდის ელექტრული შოკის მიღების რისკს.
- არ დააზიანოთ აკუმულატორის დენის სადენი. არასოდეს გამოიყენოთ სადენი ხელსაწყოთა სატარებლად, მოსაქაჩად ან შტეტსელიდან ამოსართველად. დაიცავით დენის სადენი სიმბურვალისან, ზეთისგან, მკრელი და მოძრავი საგნებისგან. დაზიანებული ან გადახლართული დენის სადენი ზრდის ელექტრული შოკის რისკს.
- ელექტრული ხელსაწყოთა გარეთ სარგებლობისას გამოიყენეთ დამაგრებელი, რომელიც გამოსადეგია გარეთ მუშაობისთვის. გარეთ მუშაობისთვის შესაბამისი ელექტრული სადენის გამოყენება ამცირებს ელექტრული შოკის რისკს.
- თუ ელექტრული ხელსაწყოთა ნესტიან გარემოში მუშაობა გარდაუვალია, გამოიყენეთ დიფერენციალური დაცვის მქონე (RCD) კვების წყარო. დიფერენციალური RCD დაცვის გამოყენება ამცირებს ელექტრული შოკის რისკს.

პირადი უსაფრთხოება

- ხელსაწყოთა გამოყენებისას იყავით ფხიზლად, იმოქმედეთ დაკვირვებით

და საღი აზრის გათვალისწინებით. არ გამოიყენოთ ხელსაწყო როდესაც ხართ დაღლილი, ან ალკოჰოლის, მედიკამენტების ან ნარკოტიკების ზემოქმედების ქვეშ. ხელსაწყოთა სარგებლობისას მყისიერმა უყურადღებობამ შეიძლება მოგაყენოთ სერიოზული პირადი ზიანი.

- გამოიყენეთ პირადი დამცავი საშუალებები. ყოველთვის გაიკეთეთ თვალის დამცავი შესაბამისი სამუშაო პირობებში დამცავი საშუალებების გამოყენება, როგორცაა მტვრის საწინააღმდეგო ნიღაბი, მოცურების საწინააღმდეგო სპეც ფეხსაცმელი, მყარი ჩაფხუტი ან სმენის დამცავი, ამცირებს სამუშაო ტრავმებს.
- უცაბედი ჩართვის აღკვეთა. დაარწმუნდით რომ ჩამრთველი არის გამართულ პოზიციაში ხელსაწყოთა დენში და/ან აკუმულატორთან მიერთებამდე, ხელსაწყოთა მალა აწვეამდე ან ტარებამდე. ელექტრული ხელსაწყოების ტარება ჩამრთველის ღილაკზე დადებული თითით ან ხელსაწყოთა დენში მიერთება, რომელსაც გააქტიურებული აქვს ჩართვის ღილაკი, იწვევს ინციდენტებს.
- მოხსენით ნებისმიერი დამაგრებული მარეგულირებელი ხელსაწყო ან ქანჩის გასაღები ჩართვამდე. ელექტრული ხელსაწყოთა მზრუნავ ნაწილზე დამაგრებულმა ქანჩის გასაღებმა ან სხვა მარეგულირებელმა შესაძლოა მოგაყენოთ პირადი ზიანი.
- არ გადახაროთ. ყოველთვის დაიცავით ბალანსი და მყარად იდექით ფეხზე. ეს გაძლევთ საშუალებას მოახდინოთ ხელსაწყოთა უკეთესი კონტროლი მოულოდნელ სიტუაციებში.
- ჩაიცვით შესაბამისად. არ ჩაიცვათ განიერი, ფრიალა ტანსაცმელი და ძვირფასეულობა. მოაცილოთ თქვენი თმა და ტანსაცმელი მოძრავ ნაწილებს. განიერი, ფრიალა ტანსაცმელი, ძვირფასეულობა და თმა შესაძლოა ჩაითრიოს მოძრავმა ნაწილებმა.

- თუ არსებობს მტვრის ან ნარჩენების შემგროვებელი საშუალებების შეერთების ადგილები, დარწმუნდით რომ ისინი სწორადაა დავაფორმებული და გამოყენებული. მტვრისთვის შეგროვებისთვის განკუთვნილი საშუალებების გამოყენებამ შესაძლოა შეამციროს მასთან დავაფორმებული საფრთხეები.
- შეეცადეთ მსგავს ხელსაწყოებთან ხშირი მუშაობის გამოცდილებამ არ გამოიწვიოს თქვენი უზრუნველობა და არ გაუკეთოთ ხელსაწყოს უსაფრთხოების პრინციპებს იგნორირება. უგულისყურო საქციელმა წამის მეთაუდმიც კი შესაძლოა მოგიტანოთ სერიოზული ზიანი.

ელექტრული ხელსაწყოს გამოყენება და მოვლა

- არ დაატანოთ ძალა ხელსაწყოს. გამოიყენეთ სწორი ხელსაწყო თქვენი მიზნებისთვის. სწორი ხელსაწყო უკეთ და უფრო უსაფრთხოდ გააკეთებს იმ საქმეს, რომლისთვისაც განკუთვნილია იგი.
- არ გამოიყენოთ ხელსაწყო თუ ჩამრთველი არ რთავს ან თითვეს მას. ნებისმიერი ხელსაწყო, რომელიც ვერ კონტროლდება ჩამრთველით, სახიფათოა და საჭიროებს შეკეთებას.
- გათიშეთ დენის ჩანგალი შტეფსელიდან და/ან მოხსენით აკუმულატორი ხელსაწყოს, თუ ეს შესაძლებელია, ნებისმიერი რეგულარებისას, ნაწილის ცვლილებისას ან ხელსაწყოს შენახვამდე. მსგავსი პრევენციული უსაფრთხოების ზომები ამცირებს ელექტრული ხელსაწყოს უცაბედი ჩართვის რისკს.
- გათიშული ელექტრული ხელსაწყოები შეინახეთ ზავშეებისთვის მიუწვდომელ ადგილას და არ მისცეთ ხელსაწყოს გამოყენების უფლება მისით სარგებლობის არმცოდნე ან მის ინსტრუქციაში ჩაუხედავ პირებს. ელექტრული ხელსაწყოები გამოუცდელი პირების ხელში სახიფათოა.

- მოუარეთ ელექტრულ ხელსაწყოებს და მის ნაწილებს. შეამოწმეთ მოძრავი და შემაკავებელი ნაწილების ურთიერთთანაცვლება, ნაწილების დაზიანება და სხვა მდგომარეობა, რომელმაც შეიძლება გავლენა იქონიოს ხელსაწყოს მუშაობაზე. დაზიანების შემთხვევაში შეაკეთეთ ხელსაწყო გამოყენებამდე. ბევრი ინციდენტი გამოწვეულია ცუდად მოვლილი ელექტრო ხელსაწყოების გამო.
 - მჭრელი ხელსაწყოები იქონიეთ სუფთა და ბასრ მდგომარეობაში. სწორად მოვლილი ბასრი დანის პირის მქონე მჭრელი ხელსაწყოების გახლართვა ნაკლებად ალბათურია და მათი კონტროლიც გაადვილებულია;
 - გამოიყენეთ ეს ხელსაწყო, მისი ნაწილები, მათი დამჭერები და ა.შ. ინსტრუქციის მიხედვით, სამუშაო გარემოს და სამუშაოს ტიპის გათვალისწინებით. ელექტრული ხელსაწყოს არადანიშნულებისამებრ გამოყენებამ შესაძლოა შექმნას სახიფათო სიტუაცია.
 - იქონიეთ სახელურები და სხვა ხელის ჩასაჭიდი ზედაპირები მშრალ და სუფთა, მათ შორის ცხიმისა და ზეთისგან თავისუფალ მდგომარეობაში. სრიალა სახელურები და ხელის ჩასაჭიდი ზედაპირები არ იძლევა ხელსაწყოს უსაფრთხო მოპყრობისა და კონტროლის საშუალებას მოულოდნელ სიტუაციებში.
- აკუმულატორის გამოყენება და მოვლა**
- დატენილ მხოლოდ მწარმოებლის მიერ მითითებული დამტენი მოწყობილობით. დამტენმა მოწყობილობამ, რომელიც თავსებადია ერთი ტიპის აკუმულატორთან, შესაძლოა წარმოშვას ხანძრის გარეშის რისკი სხვა აკუმულატორზე გამოყენებისას.
 - გამოიყენეთ ელექტრული ხელსაწყოები მხოლოდ სპეციალურად აღნიშნული აკუმულატორებით. სხვა აკუმულატორების გამოყენებამ შესაძლოა წარმოშვას ფიზიკური დაზიანების ან ხანძრის რისკი.

KA

- როდესაც აკუმულატორს არ იყენებთ, მოაცილეთ იგი ლითონის საგნებს, როგორცაა ქაღალდის კლიბი, მონეტა, გასაღები, ლურსმანი, ხრახნი ან სხვა მცირე ზომის ლითონის საგნები, რომელთაც შეუძლიათ აკუმულატორის კონტაქტების დამოკვლევა.

აკუმულატორის კონტაქტების დამოკვლევამ შესაძლოა გამოიწვიოს დამწვრობა ან ხანძარი.

- არასწორი მოპყრობის შემთხვევაში სითხემ შესაძლოა გამოჟონოს აკუმულატორიდან; მოერიდეთ მასთან შეხებას. თუ შემთხვევით შეეხეთ სითხეს, ჩამოიბანეთ წყლით. თუ სითხე მოხვდა თვალებში, მიმართეთ ექიმს. აკუმულატორიდან გამოჟონილმა სითხემ შესაძლოა გამოიწვიოს გაღიზიანება ან დამწვრობა.

- მიყევით დატენვის ინსტრუქციებს და არ დატენით აკუმულატორი ინტრუქციაში მითითებული ტემპერატურული დიაპაზონის გარეთ. არასწორი დატენვა ანდა აკუმულატორის დატენვა ინსტრუქციაში მითითებული ტემპერატურული დიაპაზონის გარეთ ზრდის ხანძრის რისკს.

- არ გამოიყენოთ აკუმულატორი ან ხელსაწყო, რომელიც დაზიანებული ან გადაკეთებულია. დაზიანებულმა ან გადაკეთებულმა აკუმულატორმა შესაძლოა გამოავლინოს არაპროფნოზირებადი ქცევა, რამაც შეიძლება გამოიწვიოს ხანძარი, აფეთქება ან პირადი ზიანი.

- არ მოათავსოთ აკუმულატორი ან ხელსაწყო ცეცხლში ან მაღალ ტემპერატურულ გარემოში. 100 °C-ზე მაღალმა ტემპერატურამ შესაძლოა გამოიწვიოს აფეთქება.

ტექნიკური სერვისი

- ხელსაწყოს ტექნიკური სერვისი შესარულებინეთ კვალიფიციურ პირს მხოლოდ იდენტური სათადარიგო ნაწილების გამოყენებით. მსგავსი პროცედურა უზრუნველყოფს ხელსაწყოს უსაფრთხოდ მუშაობას.

- არასოდეს შეაკეთოთ დაზიანებული აკუმულატორი. აკუმულატორების სერვისი მხოლოდ მწარმოებლის ან ავტორიზირებული სერვისის მომწოდებლის მიერ არის შესაძლებელი.

ბუჩქის საკრეჭის უსაფრთხოების მითითებები

- მზარიდეთ სხეულის ყველა ნაწილი საკრეჭ დანას. არ მოაცილოთ ხერხს მოჭრილი საგნები ან ხელით დაიჭიროთ გასაჭრელი საგნები, როცა დანები მოძრაობის პროცესშია. დარწმუნდით რომ ჩამოთველი არის გათიშულ მდგომარეობაში გაჭედული სხეულების მოცილებამდე. ბუჩქის საკრეჭით სარგებლობისას მყისიერმა უყურადღებობამ შეიძლება მოგაყენოთ სერიოზული პირადი ზიანი.

- ატარეთ ბუჩქის საკრეჭი თავისი სახელურით, გაჩერებული მჭრელი დანით. როდესაც ახდენთ ბუჩქის საკრეჭის შენახვას ან ტრანსპორტირებას, ყოველთვის მოაცივთ საჭრელ ნაწილს დამცავი შალითა. ბუჩქის საკრეჭის სწორი მოპყრობა შეამცირებს მჭრელი დანიდან მიღებულ შესაძლო პერსონალურ ფიზიკურ ზიანს.

- დაიჭიროთ ელექტრული ხელსაწყო მხოლოდ იზოლირებული ხელჩასაჭიდი ადგილებით, რადგან მჭრელი დანა შესაძლოა შეეხოს ფარულ დენის სადენს. საჭრელი დანები, რომელიც შეეხება დენის გამტარ სადენს, თავადაც ხდის ხელსაწყოს შიშველ ლითონის ნაწილებს გამტარს და შესაძლოა გამოიწვიოს მომხმარებლის ელექტრული შოკი.

- მზარიდეთ აკუმულატორის სადენი სამუშაო არეს. მუშაობისას სადენი შესაძლოა დამალული იყოს ბუჩქში და შემთხვევით გაიჭრას დანის მიერ.

- სამუშაოს დაწყებამდე შეამოწმეთ ბუჩქი დამალულ საგნებზე, როგორცაა მავთულის ღობე.

- ბუჩქის საკრეჭი მხოლოდ სწორად დამაგრებული დამცავი ეკრანით გამოიყენეთ. ბუჩქის საკრეჭის გამოყენებამ შესაბამისი დამცავი

ევრანის გარეშე შეიძლება მოგაყენოთ სერიოზული პირადი ზიანი.

- გამოიყენეთ ორივე ხელი ბუჩქის საკრეჭით სარგებლობისას. ხელსაწყოს ერთი ხელით სარგებლობამ შესაძლოა დაგაკარგვინოთ კონტროლი მასზე და მოგაყენოთ სერიოზული პირადი ზიანი.

მნიშვნელოვანი უსაფრთხოების ინსტრუქციები

- არ დატენოთ აკუმულატორი წვიმაში ან სველ არეში.
- აკუმულატორი უნდა ამოვიდოთ ხელსაწყოდან მის უტილიზაციამდე.
- არ ჩაჰიდოთ ხელი მოშიშვლებულ მჭრელ დანებს ან მჭრელ ზედაპირებს, როდესაც ბუჩქის საკრეჭს სწევთ მაღლა ან გიჭირავთ იგი.
- არ გამოიყენოთ კიბე, სახურავი, ხე ან სხვა ტიპის არამდგრადი საყრდენები. მყარად დგომა სტაბილურ ზედაპირზე გაძლევეთ საშუალებას მოახდინოთ ხელსაწყოს უკეთესი კონტროლი მოულოდნელ სიტუაციებში.
- არასდროს მისცეთ ბავშვებს ბუჩქის საკრეჭით სარგებლობის უფლება.
- არასდროს მოხსნათ ან შეცვალოთ ხელსაწყოს უსაფრთხოების საშუალებები. რეგულარულად შეამოწმეთ მათი მართებული მუშაობა. არასოდეს შეუშალოთ ხელი ხელსაწყოს უსაფრთხოების საშუალებას შეასრულოს განკუთვნილი ფუნქცია ან შეამციროთ უსაფრთხოების ხელსაწყოს დაცვის დონე.
- შეამოწმეთ დანის და მოტორის სამაგრი ჭანჭიკები სათანადო დაჭერაზე რეგულარული ინტერვალებით. ასევე ვიზუალურად შეამოწმეთ დანა დაზიანებაზე (ანუ გაღუნვა, გაბზარვა და გაცვეთაზე). დანა შეცვალეთ მხოლოდ EGO™ წარმოების დანით.
- შეცვალეთ დანა თუ ის გაღუნული ან გაბზარულია. არაბალანსირებული დანა იწვევს ვიბრაციებს, რამაც შესაძლოა დააზიანოს მოტორის სავალი ნაწილი ან მოგაყენოთ პირადი ზიანი.

- თუ ხელსაწყო დაიწყებს უჩვეულო ვიბრაციას, გათიშეთ მოტორი და შეამოწმეთ ვიბრაციის მიზეზი.
- საკრეჭის გამოყენება შესაძლოა ისეთი ღეროების მოსაჭრელად, რომელთა სისქე 33 მმ-ზე მცირეა.
- არ გარეცხოთ ხელსაწყო წყლის მილით; მოერიდეთ მოტორში და ელექტრულ შეერთებებში წყლის მოხვედრას.
- მისდით შეზეთვის და ნაწილების შეცვლის ინსტრუქციებს.
- იქონიეთ სახელურები მშრალ და სუფთა, მათ შორის ცხიმისა და ზეთისგან, მდგომარეობაში.
- შეინახეთ ეს მომხმარებლის ინსტრუქცია. გამოიყენეთ მომხმარებლის ინსტრუქცია და მიუთითეთ სხვებს, ვისაც სურს ხელსაწყოს გამოყენება, გაეცნონ მას. თუ ათხოვებთ ხელსაწყოს სხვა პირს, ასევე ათხოვთ მას ეს მომხმარებლის ინსტრუქცია, რათა ადკვეთოთ ხელსაწყოს არასათანადო გამოყენება და შესაძლო ზიანი.

შეინახეთ ეს მომხმარებლის ინსტრუქცია!

სპეციფიკაციები

მაბევა	56 ვოლტი ---	56 ვოლტი ---
დანის სიჩქარე	1800 ბრ/წთ	1800 ბრ/წთ
დანის სიგრძე	65 სმ	75 სმ
ჭრის უნარი	31 მმ	31 მმ
ხელსაწყოს წონა	4.1 კგ	4.2 კგ
რეკომენდირებული საექსპლუატაციო ტემპერატურა:	0°C-40°C	0°C-40°C
რეკომენდირებული დასაწყობების ტემპერატურა:	-20°C-70°C	-20°C-70°C
გაზომილი ხმის სიმძლავრის დონე L _{WA}	90.1 dB(A) K=2.9 dB(A)	95.4 dB(A) K=1.52 dB(A)

KA

ბგერის წნევის დონე მომხმარებლის ყურზე L_{PA}	80.1 dB(A) K=3 dB(A)	83.9 dB(A) K=2.5 dB(A)
გარანტირებული ხმის სიმძლავრის დონე L_{WA} (გაზომილი 2000/14/EC რეგულაციის მიხედვით)	93 dB(A)	97 dB(A)
ვიბრაცია a_h	უკანა სახელური K=1.5 მ/წმ ²	2.872 მ/წმ ² K=1.5 მ/წმ ²
	წინა სახელური K=1.5 მ/წმ ²	3.536 მ/წმ ² K=1.5 მ/წმ ²

- მითითებული ვიბრაციის სრული მნიშვნელობა გაზომილია სტანდარტულ ტესტირების მეთოდით და შესაძლოა გამოყენებულ იქნას ერთი ხელსაწყოს მეორესთან შედარებისას.
- მითითებული ვიბრაციის სრული მნიშვნელობა ასევე შესაძლოა გამოყენებულ იქნას ზემოქმედების პირველადი შეფასებისას.

შენიშვნა: ელექტრული ხელსაწყო ვიბრაციის ემისია გამოყენებისას შესაძლოა განსხვავდებოდეს მითითებული ოდენობისგან; მომხმარებელმა ხელსაწყოთი სარგებლობისას საჭიროა გამოიყენოს ხელთათმანები და ყურის დამცავი საშუალებები.

შეფუთვის ჩამონათვალი

ნაწილის დასახელება	რაოდენობა
ბუჩქის საკრეჭი	1
დამცავი ეკრანი	1
მომხმარებლის ინსტრუქცია	1

KA

აღწერა

შეისწავლეთ თქვენი ბუჩქის საკრეჭი (ნახ. A)

1. წვერის დამცავი
2. დანა

234

3. დანის დამცავი ეკრანი
4. წინა ჩამრთველი ბერკეტი
5. წინა სახელური
6. ჩამკეტი დილაკი
7. უკანა ჩამრთველი ბერკეტი
8. უკანა სახელური
9. "U" ფორმის კაუჭი
10. ფოსო
11. ხელის დამცავი ეკრანი
12. დანის ბუდე

▲ გაფრთხილება: ეს ხელსაწყო ბოლომდე აწყობილ მდგომარეობაშია. ხელის დამცავი ეკრანის მოხსნა მუშაობისას დაუშვებელია. მისი დაზიანების შემთხვევაში დაუყონებლივ შეაჩვენებინეთ კვალიფიციურ სერვისის ტექნიკოსს

▲ გაფრთხილება: ამ ხელსაწყოს უსაფრთხო გამოყენება საჭიროებს მის შესახებ ინფორმაციას და მომხმარებლის ინსტრუქციის გაცნობას, ასევე იმ სამუშაოს ცოდნას, რომლის შესრულებასაც აპირებთ. ხელსაწყოს გამოყენებამდე კარგად გაეცანით მის მუშა ფუნქციებს და უსაფრთხოების წესებს.

ექსპლუატაცია

▲ გაფრთხილება: შეეცადეთ მსგავსი პროდუქტის გამოყენების გამოცდილებამ არ გამოიწვიოს თქვენი უგულისყურობა. დაიმახსოვრეთ რომ უგულისყურობამ წამის მეთაედშიც კი შესაძლოა მოგიტანოთ სერიოზული ზიანი.

▲ გაფრთხილება: ყოველთვის მოირგეთ გვერდითა ეკრანების მქონე უსაფრთხოების სათვალე და სმენის დამცავი საშუალება. ამ ინსტრუქციის უგულებელყოფამ შესაძლოა გამოიწვიოს სხვადასხვა სხეულის თვალში მოხვედრა და სხვა შესაძლო სერიოზული ზიანი.

▲ გაფრთხილება: უცაბედი ჩართვის გამოსარიცხად, რომელმაც შესაძლოა გამოიწვიოს სერიოზული პერსონალური ზიანი, ყოველთვის მოხსენით აკუმულატორი ხელსაწყოს, როდესაც

ხდება მისი აწყობა, რეგულირება, წმენდა ან როდესაც არ ხდება ხელსაწყოს გამოყენება.

▲ გაფრთხილება: არ გამოიყენოთ სხვა ნებისმიერი ნაწილი, რომელიც არაა რეკომენდირებული EGO™-ს მიერ. არარეკომენდირებული ნაწილის გამოყენებამ შესაძლოა მოგაყენოთ სერიოზული ზიანი.

ყოველი გამოყენების წინ შეამოწმეთ ხელსაწყოს შესაძლო დაზიანებული, დაკარგული ან მოშვებული ნაწილები, როგორცაა ხრახნები, ქანჩები, ჭანჭიკები, ხუფები და ა.შ. მჭიდროდ დაუჭირეთ ყველა სამაგრი და ხუფი და არ ამუშაოთ ხელსაწყო, სანამ ყველა დაკარგული ან დაზიანებული ნაწილი არ შეიცვლება.

პროდუქტის გამოყენება შესაძლებელია წვიმაში

აკუმულატორის დამონტაჟება/მოხსნა გამოიყენეთ მხოლოდ ის აკუმულატორის ბლოკები და დამტენები, რომლებიც მითითებულია სურ. A-ში დატენეთ პირველ ჯერზე სარგებლობამდე. დასამონტაჟებლად (ნახ. B, C და D)

ჩანგალზე და ბუჩქის საკრეჭზე არსებული ▲ სიმბოლოს სწორებით ჩასვით ჩანგალი ბუჩქის საკრეჭში, სანამ მწვანე ფერის მაჩვენებელი მთლიანად არ ჩაჯდება ბუდეში.

დაამაგრეთ აკუმულატორის სადენი “U” ფორმის კაუჭზე.

მოსახსნელად (ნახ. E)
მოხსენით აკუმულატორის სადენი “U” ფორმის კაუჭიდან და გამოამრეთ კვების ჩანგალი ბუჩქის საკრეჭს.

ბუჩქის საკრეჭის ჩართვა/გამორთვა
საკრეჭით სარგებლობამდე, მოხსენით დანას შალითა და დაიჭირეთ ის ორივე ხელით, მოათავსეთ ერთი ხელი უკანა სახელურზე, ხოლო მეორე - წინა სახელურზე. დარწმუნდით რომ დგახართ მყარად ფეხზე, მართებულ პოზაში და იცავით კრეჭვისას სწორ დისტანციას.

▲ გაფრთხილება: ყოველთვის გეჭირეთ ბუჩქის საკრეჭი ორივე ხელით სახელურებზე. არასოდეს დაიჭირეთ ბუჩქი ერთი ხელით და მეორეთი - საკრეჭი. ამ ინსტრუქციის უგულბელობის გამო შეიძლება მოგაყენოთ სერიოზული ფიზიკური ზიანი.

▲ გაფრთხილება: ბუჩქის საკრეჭის გაჩერებისთვის გადაიყვანეთ ჩამკეტი ღილაკი პოზიციამი “OFF” აკუმულატორის მოხსნამდე. ამ ინსტრუქციის მიდევნების უგულბელობის გამო შეიძლება მოგაყენოთ სერიოზული ფიზიკური ზიანი.

ჩასართავად
გადაიყვანეთ ჩამკეტი ღილაკი პოზიციამი “ON” (ნახ. F) და შემდეგ დააჭირეთ უკანა ჩამრთველს. დაჭერილი უკანა ჩამრთველით, დააჩქიეთ წინა ჩამრთველს ხელსაწყოს ჩასართავად.

ნახ. F ნაჩვენები ნაწილების აღწერა მოცემულია ქვევით:

F-1	ჩამკეტი ღილაკი
F-2	უკანა ჩამრთველი ბერკეტი

გამოსართველად
გაუმჯობესეთ რომელიმე ჩამრთველს ხელი ხელსაწყოს გასათიშად და გადაიყვანეთ ჩამკეტი ღილაკი პოზიციამი “OFF”, რათა თავიდან აირიდოთ ხელსაწყოს უცაბედი ჩართვა.

შენიშვნა: ორივე ჩამრთველი ბერკეტი უნდა იყოს დაჭერილ მდგომარეობაში ხელსაწყოს ჩასართავად.

ბუჩქის საკრეჭის ტერის წესი
დანის პირით ქვევან მოშორებით დაიჭირეთ საკრეჭი ორივე ხელით, თითოეული ხელი ცალკეულ. წინა და უკანა სახელურზე. სამი დაჭერის მიმართულება მისაღება სხვადასხვანაირი ჭრის შემთხვევაში (ნახ. G, H და I).

ბურქის საკრეჯის გამოყენების წესი

▲ გაფრთხილება: თუ დანა გაიჭედება რაიმე დენის სადენს ან ხაზში, ხელი არ მოკიდოთ მას! ის შესაძლოა გახვდეთ დენის გამტარი და ძალიან სახიფათო. ხელი მოკიდეთ მხოლოდ ბურქის საკრეჯის იზოლირებულ უკანა სახელურს ან ფრთხილად და უსაფრთხოდ დადეთ მიწაზე თქვენგან მოშორებით. გათიშეთ დაზიანებული ხაზის ან სადენის დენის წყარო სანამ შეეცდებით დანის გამოხსნას. ჩამოთვლილი ინსტრუქციების უგულვებელყოფა გამოიწვევს სერიოზული ფიზიკურ ზიანს და შესაძლო სიკვდილს..

▲ გაფრთხილება: სერიოზული პერსონალური ზიანისგან თავის არიდების მიზნით ხელები დაიჭირეთ დანისგან შორს. არ შეეცადოთ მოაცილოთ დანას მაჭირილი საგნები ან ხელით დაიჭიროთ გასაჭრელი საგნები, როცა დანა მოძრაობის პროცესშია. დარწმუნდით რომ დანა სრულიად გაჩერდა და აკუმულატორი მოხსნილია, სანამ შეეცდებით გაჭედილი საგნებისგან მის გასუფთავებას. არ ჩაჭიდოთ ხელი მოშორებულ მჭრელ დანებს ან მჭრელ ზედაპირებს, როდესაც ხელსაწყო სწევთ მაღლა ან გიჭირავთ იგი.

▲ გაფრთხილება: გასაუფთავეთ სამუშაო არე მუშაობის დაწყებამდე. მოაცილეთ ყველა ობიექტი როგორცაა სადენი, განათება, თოკი ან ბაწარი, რომელიც შესაძლოა დაეხვიოს ხელსაწყოს საჭრელ ნაწილს და შექმნას პირადი ზიანის მძღვების რისკი.

▲ გაფრთხილება: მოერიდეთ ერთ ჯერზე ბერის მოჭრას ან ხშირი ბურქნარის გაკაფვას. ამან შესაძლოა გამოიწვიოს დანის გახლართვა და შენელება, რაც შეამცირებს ჭრის ეფექტურობას.

შენიშვნა: ნორჩი მცენარეებისთვის ხელსაწყო ფართო მოძრაობით მისაღვია ტოტების საკრეჯის მიერ პირდაპირ მოჭრა. მეტად ასაკოვანი ნაზარდისთვის, ხერხვის ტიპის მოძრაობა მეტად მისაღვია მსხვილი ტოტების მოჭრისთვის. დასაწყისში არაეფექტური ხელის ხერხის ან გამსხვიპი ხერხის გამოყენება რეკომენდირებულია მსხვილი ტოტების მოსაჭრელად.

ზევიდან ჭრა

გამოიყენეთ ფართო ჭრის მოძრაობა. მოძრაობის მიმართულებით საჭრელი დანის ოდნავი დახრა იძლევა საუკეთესო ჭრის რეზულტატებს. უკეთესი ჭრის ეფექტისთვის შესაძლებელია ბაწრის გამოყენება, ბურქზე ჭრის მიმართულების საჩვენებლად როგორც ნახ. J არის მითითებული.

გვერდული ჭრა

ბურქის გვერდების გაკრეჯისას დაიწყეთ ქვედა ნაწილიდან და აჭერთ ზედა მიმართულებით, როგორც ნაჩვენებია ნახ. K.

წვერის დამცავი

წვერის დამცავი (ნახ. L) გამოიყენება დანის გარეთა ბოლოს დასაცავად.

დანის დამცავი ეკრანი

დანის გარეთა ნაწილებს აქვთ დანის დამცავი ეკრანის ფორმა (ნახ. M).

ნახ. M ნაჩვენებები ნაწილების აღწერა მოცემულია ქვევით:

M-1	დანა
M-2	დანის დამცავი ეკრანი

▲ გაფრთხილება: ყოველთვის დარწმუნდით რომ დანის დამცავი ეკრანი არ არის დაზიანებული ან ფორმა შეცვლილი. შეცვალეთ ის თუ გაღუწული ან დაზიანებულია.

ეესპლუატაცია

▲ გაფრთხილება: ტექნიკური სერვისისას გამოიყენეთ მხოლოდ იდენტური სათადარიგო ნაწილები. სხვა ნებისმიერი ნაწილის გამოყენებამ შესაძლოა შექმნას საფრთხე ან გამოიწვიოს ხელსაწყო დაზიანება. ხელსაწყო უსაფრთხოდ და გამართულად მუშაობისთვის საჭიროა მისი ყველა შეკეთება და ნაწილის შეცვლა შესრულდეს კვალიფიციური სერვისის ტექნიკოსის მიერ.

▲ გაფრთხილება: სერიოზული პერსონალური ზიანისგან თავის არიდების მიზნით ყოველთვის მოხსენით აკუმულატორი ხელსაწყო როდესაც წმინდავთ მას ან უტარებთ რაიმე ტიპის სერვისს.

განმენდა

- გამოიყენეთ რბილი ფუნჯი რათა მოაცილოთ ნარჩენი საჰაეროსა და საჭრელ დანას.
- კუპრის ან სხვა წებოვანი ნივთიერების მოსაცილებლად მოაკუპრეთ დანას რეზინის გამსხნელი. მცირე ხნით ჩართეთ მოტორი, რათა გამსხნელი თანაბრად გადანაწილდეს.
- მშრალი ქსოვილით გაწმინდეთ ზედაპირი.

⚠ გაფრთხილება: მთელიდეთ გამსხნელების გამოყენებას ხელსაწყოს პლასტმასის ნაწილების გაწმენდისას. უმეტესობა პლასტმასები ზიანდება მათზე გამსხნელების გამოყენების შედეგად. გამოიყენეთ სუფთა ტილოები ტალახის, მტვრის, ზეთის, ცხიმის და სხვ. მოსაცილებლად.

მჭრელი დანის გალესვა

1. შენახვამდე მოხსენით აკუმულატორი ბუჩქის საკრეკს.
2. AHB6500S/AHB7500S: მოათავსეთ საჭრელი დანა გირაგში და ქლიბით დაამუშავეთ ყოველი კბილის მჭრელი ზედაპირი. მოქლიბეთ რაც შეიძლება ცოტა ლითონი. AHB6500/AHB7500 ("" და "განმტკიცებელი" მითითებით დანის ზედაპირზე): მოათავსეთ დანა გირაგში და გალესეთ მისი მჭრელი ზედაპირი ალმასის ქლიბით ან დაბალბრუნეანი სალესი ჩარხით (ბრუნვის სიჩქარე < 2500 ბრ/წთ, მიწოდების სისწრაფე < 60 მმ/წთ, მემის რიცხვი > 100). მოქლიბეთ რაც შეიძლება ცოტა ლითონი.
3. მოხსენით საკრეკი გირაგიდან და დაარეგულირეთ ისე რომ გამოჩნდეს მეორე გასალესი ნაწილიც.

გაიმეორეთ იგივე პროცედურა სანამ დანის ყველა პირი არ გაილესება.

შენიშვნა: არ ამუშაოთ თქვენი ბუჩქის საკრეკი დაჩლოუნებული არ დაზიანებული საჭრელი დანებით. ამან შესაძლოა გამოიწვიოს ხელსაწყოს გადატვირთვა და მოგცეთ არასასურველი რეზულტატი.

შენიშვნა: ჩვეულებრივი ლითონის ქლიბი არ გამოდგება AHB6500/AHB7500 სპეციალური დანის გალესვის დროს.

შენიშვნა: საჭრელი დანის დაბალბრუნეანი სალესი ჩარხით (ბრუნვის სიჩქარე < 2500 ბრ/წთ) გალესვის დროს მუდმივად დაატენიანეთ დანის კბილები პროცესის განმავლობაში.

ბუჩქის საკრეკის შეგთვის წესი

⚠ გაფრთხილება: არ შეხეთოთ ხელსაწყო როდესაც ბუჩქის საკრეკი შეერთებულია აკუმულატორთან ან იგი მუშა რეჟიმში.

დანის შეგთვისა

უკეთესი მუშაობისთვისა და დანის ტექნიკური ვადის გასაზრდელად შეხეთოთ ბუჩქის საკრეკი მსუბუქი მანქანის ზეთით ყოველ ჯერზე გამოყენებამდე და მის შემდეგ.

მოხსენით აკუმულატორი და მოათავსეთ საკრეკი ბრტყელ ზედაპირზე. შეხეთოთ ზედა დანის პირის გასწვრივ (ნახ. N).

გადაცემათა კოლოფის შეგთვის წესი

ხელსაწყოს ოპტიმალური მუშაობისთვის და ხანგრძლივი მოხმარებისთვის შეხეთოთ ბუჩქის საკრეკის გადაცემათა კოლოფი სპეციალური საპოხით (5-6 გ #1 და 10-12 გ #2 საპოხით ყოველ ჯერზე) ყოველი 50 საათიანი ექსპლუატაციის პერიოდის შემდეგ.

სპეციალური საპოხი უნდა აკმაყოფილებდეს შემდეგ მოთხოვნებს:

1. მიეკუთვნებოდეს DIN51818 ტიპს: კონუსის შვალაზე NLGI-2 სირბილის.
2. შედგებოდეს პოლიურვას შემსქელებელს + სინთეზური სამანქანო ზეთი
3. შესანიშნავი საპოხი დაბალტემპერატურული ჩართვისთვის, მაღალი წნევის პირობებისთვის, მექანიკური ცვეთისა და გახეხის საწინააღმდეგო და ოქსიდაციის სტაბილიზაციისთვის.
4. ტემპერატურის მუშა რეჟიმი უნდა მოიცავდეს -40~180°C ინტერვალს.

მოხსენით აკუმულატორის კვების ჩანგალი და ორი დამლუქავი ხრახნი (ნახ. O). შეზეთეთ გადაცემათა კოლოფი სპეციალურად განკუთვნილი ხვრელის საშუალებით.

შენიშვნა: სრულად არ გავსოთ გადაცემათა კოლოფი ზეთით.

ტრანსპორტირება და შენახვა

- ყოველთვის დააყენეთ შალითა დანაზე ბუჩქის საკრეჭის შენახვამდე ან გადატანამდე. გამოიყენეთ სიფრთხილე დანის მჭრელ კბილებთან მიმართებაში.
- საგულდაგულოდ გაწმინდეთ ბუჩქის საკრეჭი შენახვამდე.
- შეინახეთ ის შენობაში ზვევებისთვის მიუწვდომელ მშრალ ადგილას.
- მოაცილეთ კოროზიის გამომწვევი ნივთიერებები, როგორცაა სოფლის მეურნეობაში გამოყენებული ქიმიკატები და მოყინვის საწინააღმდეგო ტექნიკური მარილი.

⚠ გაფრთხილება: დანის პირი მჭრელია. დანის აწყობის დროს ჩაიცვით მოცურების საწინააღმდეგო, დამცავი ხელთათმანები. არ მოათავსოთ თქვენი ხელი ან თითები დანის პირებს შორის ან ისეთ პოზიციაში სადაც ისინი შეიძლება გაგეჭრათ ან ჩაგიყვით. არასოდეს შეეხოთ დანის პირებს ან ჩაუტაროთ ხელსაწყო სერვისი, როცა აკუმულატორი შეერთებულია.

გარემოს დაცვა



არ მოათავსოთ ელექტრული მოწყობილობა, დამტენი და აკუმულატორი / მისი ბატარეები საყოფაცხოვრებო ნაგავში!

მიუტანეთ ისინი ავტორიზირებულ ნარჩენების გადამამუშავებელს და მოახდინეთ ასეთი ნარჩენის განცალკევებულად შეგროვება. ელექტრო ხელსაწყოები უნდა ჩაბარდეს ნარჩენების გადამამუშავებელ ობიექტს.

გაუმართაობის დიაგნოსტიკა

პრობლემა	მიზეზი	გადაჭრის გზა
ბუჩქის საკრეჭი არ მუშაობს	<ul style="list-style-type: none"> ■ აკუმულატორი არ არის შეერთებული ბუჩქის საკრეჭზე ან აკუმულატორსა და საკრეჭს შორის არ არის ელექტრული კონტაქტი. ■ აკუმულატორი დაცლილია. ■ ჩამკეტი ღილაკი არ არის გადაყვანილი "ON" პოზიციაში ტრიგერებზე ხელის დაჭერამდე. ■ აკუმულატორი ან საკრეჭი ზედმეტად გაცხელებულია. ■ დანა გაჭედილია. ■ ბუჩქის საკრეჭი გადატვირთულია. 	<ul style="list-style-type: none"> ■ ხელახლა ჩასვით აკუმულატორის ჩანგალი ბუჩქის საკრეჭში. ■ დატენეთ აკუმულატორი მწარმოებლის მიერ მითითებული დამტენი მოწყობილობით. ■ ხელსაწყოს გამოყენებამდე დარწმუნდით რომ ჩამკეტი ღილაკი ჩართულ მდგომარეობაშია. ■ აცალეთ აკუმულატორს ან ბუჩქის საკრეჭს გაგრილება, სანამ ტემპერატურა არ მიაღწევს ნორმალურ ნიშნულს. ■ მოხსენით აკუმულატორი ხელსაწყოს. ფრთხილად მოაცალეთ გაჭედილი საგანი, შემდეგ უკან მიაერთეთ აკუმულატორი და ხელახლა ჩართეთ ხელსაწყო. ■ შეამცირეთ ხელსაწყოზე დატვირთვა.

პრობლემა	მიზეზი	გადაჭრის გზა
გადაჭარბებული ვიბრაცია ან ხმაური.	<ul style="list-style-type: none"> ■ მშრალი ან დაჟანგული დანები. ■ დანები ან მათი საყრდენი მოღუნულია. ■ მოღუნული ან დაზიანებული კბილები. ■ მოშვებული კბილების ჭანჭიკები. 	<ul style="list-style-type: none"> ■ შეზეთეთ დანა. ■ შეცვალეთ ახალი დანით ან საყრდენით. მიმართეთ EGO-ს მომსახურების ცენტრს დანის და საყრდენის შეცვლისთვის. ■ შეცვალეთ ახალი დანით. მიმართეთ EGO-ს მომსახურების ცენტრს დანის შეცვლისთვის. ■ მოუჭირეთ დანის ჭანჭიკები. ქანჩის გასაღების გამოყენებით მოატრიალეთ ჭანჭიკი საათის ისრის მიმართულებით მოსაჭერად.

გარანტია

EGO-ს გარანტიის მომსახურების წესი

გთხოვთ ეწვიოთ ვებ-გვერდს egopowerplus.eu, რათა მიიღოთ EGO-ს საგარანტიო მომსახურების სრული დადგენილებები და პირობები.

PROČITAJTE SVA UPUTSTVA!



PROČITAJTE PRIRUČNIK ZA RUKOVAOCA

⚠ UPOZORENJE: Da bi se osigurala sigurnost i pouzdanost, sve popravke i zamene treba da radi kvalifikovani servisni tehničar.

SIGURNOSNI SIMBOLI

Svrha sigurnosnih simbola je da vam skrenu pažnju na moguće opasnosti. Sigurnosni simboli i objašnjenja uz njih zaslužuju vašu pomnu pažnju i shvatanje. Simboli upozorenja, sami po sebi, ne eliminišu nikakve opasnosti.

Uputstva i upozorenja koja oni daju nisu zamena za odgovarajuće mere sprečavanja nezgoda.

⚠ UPOZORENJE: Obavezno pročitajte i shvatite sva sigurnosna uputstva u ovom Priručniku za rukovaoca, obuhvatajući i sve simbole sigurnosnih upozorenja poput „OPASNOST“, „UPOZORENJE“ i „OPREZ“ pre korišćenja ovog alata. Nepridržavanje svih dole navedenih uputstava može da dovede do strujnog udara, požara i/ili ozbiljne telesne povrede.

ZNAČENJE SIMBOLA

SIMBOL SIGURNOSNOG UPOZORENJA: Ukazuje na OPASNOST, UPOZORENJE ili OPREZ. Može se koristiti zajedno sa drugim simbolima ili piktogramima.

⚠ UPOZORENJE: Rukovanje svakim električnim alatom može da dovede do izbacivanja stranih tela ka očima, što može da dovede do ozbiljnog oštećenja očiju. Pre započinjanja rada sa električnim alatom, uvek stavite sigurnosne naočare sa bočnim štitnicima ili po potrebi masku za celo lice. Preporučujemo sigurnosnu masku Wide Vision za upotrebu preko naočara ili standardnih sigurnosnih naočara sa bočnim štitnicima.

SIGURNOSNA UPUTSTVA

Ova stranica prikazuje i opisuje sigurnosne simbole koji mogu da se pojave na ovom proizvodu. Pročitajte, shvatite i sledite sva uputstva na mašini pre no što pokušate da je sklopite i da rukujete njom.

	Sigurnosno upozorenje	Označava potencijalnu opasnost od telesne povrede.
	Pročitajte Priručnik za rukovaoca	Da bi smanjio rizik od povreda, korisnik mora pročitati priručnik za rukovaoca.
	Držite šake i stopala dalje od alata za sečenje	Nikad ne pokušavajte da rukujete električnim alatom jednom rukom. Gubitak kontrole nad električnim alatom može da dovede do ozbiljne ili fatalne povrede. Da biste smanjili rizik od posekotina, držite šake i stopala dalje od alata za sečenje. Nikad ne dodirujte pokretni alat za sečenje šakom ili bilo kojim drugim delom tela.
	Nosite zaštitu za oči	Uvek nosite sigurnosne naočare sa bočnim štitnicima ili po potrebi masku za celo lice kad rukujete ovim proizvodom.
	Buka	Garantovan nivo jačine zvuka. Emisija buke u okruženju prema Direktivi Evropske zajednice.
	CE	Ovaj proizvod je u skladu sa primenljivim EC direktivama.
	UKCA	Ovaj proizvod je u skladu sa primenljivim zakonima u UK.
	WEEE	Otpadne električne proizvode ne bi trebalo odlagati zajedno sa otpadom iz domaćinstva. Odnesite ih u ovlašćeni pogon za reciklažu.
	Dužina noža	Dužina noža
	Kapacitet sečenja	Maks. Kapacitet sečenja noža
	IP simbol	Zaštita od mlazova vode
	Volt	Voltaža
	Jednosmerna struja	Tip ili karakteristika struje
	U minutu	Obrtaji u minutu
	milimetar	Dužina ili veličina

cm	Centimetar	Dužina ili veličina
n ₀	Brzina bez opterećenja	Rotaciona brzina, bez opterećenja

OPŠTA SIGURNOSNA UPOZORENJA ZA ELEKTRIČNI ALAT

⚠ UPOZORENJE: Pročitajte sva sigurnosna upozorenja, uputstva, ilustracije i specifikacije priložene uz ovaj električni alat. Nepridržavanje svih navedenih uputstava može da dovede do strujnog udara, požara i/ili ozbiljne povrede.

Sačuvajte sva upozorenja i uputstva za buduću upotrebu.

Pojam „električni alat“ u upozorenjima označava električni alat (sa žicom) koji se uključuje u utičnicu ili električni alat (bežični) na baterije.

BEZBEDNOST NA RADNOM PODRUČJU

- Održavajte radno područje čistim i dobro osvetljenim. Na pretrpanim ili mračnim područjima su veće šanse da dođe do nezgoda.
- Ne koristite električne alate u eksplozivnim atmosferama, kao na primer u prisustvu zapaljivih tečnosti, gasova ili prašine. Električni alat stvara varnice koje mogu zapaliti prašinu ili isparenja.
- Držite decu i prolaznike podalje dok koristite električni alat. Ako vam neko odvrti pažnju, možete izgubiti kontrolu.

ELEKTRIČNA BEZBEDNOST

- Utikač električnog alata mora odgovarati utičnici. Nikada ne modifikujete utikač ni na koji način. Ne koristite adapterske utikače sa uzemljenim električnim alatom. Nemodifikovani utikači i odgovarajuće utičnice će smanjiti rizik od strujnog udara.
- Izbegavajte kontakt delova tela sa uzemljenim površinama, poput cevi, radijatora, šporeta i frižidera. Postoji povećan rizik od strujnog udara ako je vaše telo uzemljeno.
- Ne izlažite električne alate kiši ili mokrim uslovima. Voda koja uđe u električni alat povećava rizik od strujnog udara.

- Nemojte zloupotrebljavati kabl baterije. Nikada ne koristite kabl za nošenje, vučenje ili isključivanje iz utičnice električnog alata. Čuvajte kabl podalje od toplote, ulja, oštih ivica ili pokretnih delova. Oštećen ili upetljan kabl povećava rizik od strujnog udara.
- Kada koristite električni alat na otvorenom prostoru, koristite produžni kabl pogodan za korišćenje na otvorenom prostoru. Upotreba kabla pogodnog za korišćenje na otvorenom prostoru smanjuje rizik od strujnog udara.
- Ako je korišćenje električnog alata u vlažnom području neizbežno, koristite izvor napajanja sa zaštitnim uređajem diferencijalne struje (RCD). Korišćenje RCD smanjuje rizik od strujnog udara.

LIČNA BEZBEDNOST

- Ostanite u pripravnosti, pazite šta radite i koristite zdrav razum kada koristite električni alat. Ne koristite električni alat kada ste umorni ili pod uticajem droga, alkohola ili lekova. Trenutak nepažnje kada koristite električni alat je dovoljan da izazove ozbiljne telesne povrede.
- Koristite ličnu zaštitnu opremu. Uvek nosite zaštitu za oči. Zaštitna oprema poput maske za prašinu, radnih cipela koje se ne klišu, šlema ili zaštite sluha će, kada se koristi za odgovarajuće uslove, smanjiti telesne povrede.
- Sprečite slučajno pokretanje. Osigurajte da prekidač bude u isključenom položaju pre povezivanja na izvor napajanja i/ili bateriju, podizanja ili nošenja alata. Nošenje električnih alata sa prstom na prekidaču ili uključivanje u utičnicu električnih alata čiji prekidač je u uključenom položaju priziva nezgode.
- Uklonite sve ključeve za podešavanje pre uključivanja električnog alata. Ključ koji ostane pričvršćen za rotacioni deo električnog alata može da izazove telesnu povredu.
- Ne presežite. U svakom trenutku održavajte pravilan položaj nogu i ravnotežu. To omogućava bolju kontrolu električnog alata u neočekivanim situacijama.
- Prikladno se obucite. Ne nosite labavu odeću ili nakit. Držite kosu i odeću dalje od pokretnih delova. Labava odeća, nakit ili duga kosa mogu da se zakače pokretnim delovima.

- **Ako su priloženi uređaji za povezivanje delova za izbacivanje i prikupljanje prašine, osigurajte da oni budu povezani i da se pravilno koriste.** Upotreba kolektora prašine može da smanji opasnosti koje izaziva prašina.
- **Ne dozvolite da zbog poznavanja koje ste stekli kroz čestu upotrebu alata postanete samozadovoljni i ignorirate principe bezbednosti alata.** Nemarni postupak može da izazove ozbiljnu povredu u deliću sekunde.

UPOTREBA I ODRŽAVANJE ELEKTRIČNOG ALATA

- **Ne silite električni alat. Koristite odgovarajući električni alat za ono što radite.** Odgovarajući električni alat uradiće posao bolje i bezbednije onom brzinom za koju je dizajniran.
- **Ne koristite električni alat ako ga prekidač ne uključuje i isključuje.** Svaki električni alat koji se ne može kontrolisati prekidačem je opasan i mora se popraviti.
- **Izvicite utikač iz izvora napajanja i/ili izvadite bateriju, ako je odvojiva, iz električnog alata pre bilo kakvog podešavanja, menjanja podataka ili skladištenja električnog alata.** Takve preventivne sigurnosne mere smanjuju rizik od nehotičnog pokretanja električnog alata.
- **Skladištite isključene električne alate van domašaja dece i ne dozvolite osobama koje nisu upoznate sa ovim električnim alatom ili ovim uputstvom da rukuju električnim alatom.** Električni alat je opasan u rukama nekalifikovanih korisnika.
- **Održavajte električni alat i dodatke. Proverite pravilno poravnanje ili spojeve pokretnih delova, lomljenje delova i sva druga stanja koja mogu da utiču na rad električnog alata. Ako je oštećen, odnesite električni alat na popravku pre upotrebe.** Mnoge nezgode su izazvane loše održanim električnim alatom.
- **Održavajte alate koji seku oštrim i čistim.** Pravilno održavani alati za sečenje sa oštrim ivicama za sečenje se ređe zapetljavaju i lakše se kontrolišu;
- **Koristite električni alat, dodatke, delove itd. u skladu sa ovim uputstvom, uzimajući u obzir radne uslove i rad koji treba obaviti.** Korišćenje električnog alata za rad drugačiji od predviđenog moglo bi da dovede do opasne situacije.
- **Održavajte drške i površine koje hvataate suvim, čistim i bez ulja i masnoće.** Klizave drške i površine koje hvataate ne omogućavaju bezbedno rukovanje i kontrolu alata u neočekivanim situacijama.

UPOTREBA I ODRŽAVANJE ALATA NA BATERIJE

- **Punite samo punjačem koji navodi proizvođač.** Punjač koji je prikladan za jedan tip baterije može da stvori opasnost od požara kad se koristi sa drugom baterijom.
- **Koristite električni alat samo sa konkretno imenovanim baterijama.** Upotreba bilo kakvih drugih baterija može da stvori rizik od povrede i požara.
- **Kad se baterija ne koristi, držite je dalje od drugih metalnih predmeta, poput spajalica, novčića, ključeva, eksera, vijaka ili drugih malih metalnih predmeta koji mogu da naprave spoj jednog terminala sa drugim.** Kratak spoj terminala baterije može da izazove opekotine ili požar.
- **U ekstremnim uslovima može doći do curenja tečnosti iz baterije; izbegavajte kontakt sa njom. Ako dođe do nehotičnog kontakta, isperite vodom.** Ako tečnost dođe u kontakt sa očima, takođe potražite i medicinsku pomoć. Tečnost iz baterije može da izazove iritaciju ili opekotine.
- **Pratite sva uputstva za punjenje i ne punite bateriju ili alat izvan temperaturnog opsega navedenog u uputstvima.** Punjenje na nepravilan način ili na temperaturama izvan navedenog opsega može da ošteti bateriju i poveća rizik od požara.
- **Ne koristite bateriju ili alat koji su oštećeni ili modifikovani.** Oštećene ili modifikovane baterije mogu da ispolje nepredvidivo ponašanje, dovodeći do požara, eksplozije ili rizika od povrede.
- **Ne izlažite bateriju ili alat vatri ili previsokoj temperaturi.** Izlaganje vatri ili temperaturi iznad 100°C može izazvati eksploziju.

SERVIS

- **Odnosite električni alat na servisiranje kod kvalifikovanog serviseru koji će koristiti samo identične rezervne delove.** To će osigurati da bezbednost električnog alata bude održana.
- **Nikad ne servisirajte oštećenu bateriju.** Servisiranje baterija treba da radi samo proizvođač ili ovlašćeni servis.

SIGURNOSNA UPOZORENJA ZA TRIMER ZA ŽIVICU

- **Držite sve delove tela dalje od noža. Ne uklanjajte odsećeni materijal niti držite materijal koji treba da sečete dok se noževi kreću. Vodite računa da prekidač bude u isključenom položaju kad čistite zaglavljene materijal.** Trenutak nepažnje kada koristite trimer za živicu je dovoljan da izazove ozbiljne telesne povrede.

- **Nosite trimer za živicu za dršku, sa zaustavljenim nožem.** Kad transportujete ili skladištite trimer za živicu, uvek stavite navlaku za nož. Pravilno postupanje sa trimenom za živicu će smanjiti eventualne telesne povrede od noževa.
- **Držite električni alat samo za izolovane površine za hvatanje jer nož za sečenje može da dođe u dodir sa skrivenim ožičenjem.** Ako noževi dođu u dodir sa žicom pod naponom, i izloženi metalni delovi električnog alata mogu da budu pod naponom pa rukovalac može da dobije strujni udar.
- **Držite kabl baterije dalje od površine gde sečete.** Tokom rada, kabl može da bude skriven u žbunju i nož ga može nehотиčno preseći.
- Proverite da li u živici ima stranih predmeta pre rada, npr. žičanih ograda.
- Koristite trimer za živicu samo sa pravilno montiranim štitnikom. Upotreba trimera za živicu bez odgovarajućeg štitnika može da dovede do ozbiljne telesne povrede!
- **Koristite obe ruke kad rukujete trimenom za živicu. Korišćenje jedne ruke bi moglo da izazove gubitak kontrole i da dovede do ozbiljne telesne povrede.**

VAŽNA SIGURNOSNA UPUTSTVA

- Nemojte puniti bateriju na kiši ili na mokrim mestima.
- Baterija se mora izvaditi iz mašine pre recikliranja.
- Ne hvatajte izložene noževe za sečenje ili iverice za sečenje kad podižete ili držite trimer za živicu.
- Ne koristite na lestvama, krovu, drvetu ili nekoj drugoj nestabilnoj podlozi. Stabilno uporište na čvrstoj površini omogućava bolju kontrolu nad trimenom za živicu u neočekivanim situacijama.
- Nikad ne dozvoljavajte deci da rukuju trimenom za živicu.
- Nikad ne uklanjajte niti sabotirajte sigurnosne uređaje. Redovno proveravajte da li pravilno rade. Nikad ne radite ništa što bi ometalo predviđenu funkciju sigurnosnog uređaja ili smanjilo zaštitu koju sigurnosni uređaj pruža.
- Često proveravajte da li su zavrtnji za montažu noža i motora pravilno zategnuti. Takođe, vizuelno pregledajte da li je nož oštećen (npr. savijen, napuklo i pohabano). Zamenite nož isključivo EGO™ nožem.
- Zamenite nož ako je savijen ili napukao. Neizbalansiran nož izaziva vibracije koje bi mogle da oštete jedinicu motornog pogona ili da izazovu telesnu povredu.
- Ako oprema počne abnormalno da vibrira, zaustavite motor i odmah potražite uzrok.
- Trimer treba da se koristi za sečenje stabljika debljine manje od 33 mm.
- Ne perite crevom; izbegavajte ulaženje vode u motor i električne veze.
- Pratite uputstva za podmazivanje i menjanje dodataka.
- Održavajte drške suvim, čistim i bez ulja i masnoće.
- Sačuvajte ovo uputstvo. Često ga pregledajte i koristite ga da uputite druge koji mogu da koriste ovaj alat. Ako pozajmite ovaj alat nekom drugom, pozajmite i ovo uputstvo da bi se sprečila pogrešna upotreba proizvoda i eventualna povreda.

SAČUVAJTE OVO UPUTSTVO!

SPECIFIKACIJE

Voltaža	56 V ---	56 V ---	
Brzina noža	1800 /min	1800 /min	
Dužina noža	65 cm	75 cm	
Kapacitet sečenja	31 mm	31 mm	
Preporučena radna temperatura	4,1 kg	4,2 kg	
Preporučena temperatura skladištenja	0°C - 40°C	0°C - 40°C	
Izmereni nivo jačine zvuka L_{WA}	-20°C - 70°C	-20°C - 70°C	
Nivo zvučnog pritiska kod uha rukovaoca L_{PA}	90,1 dB(A) K=2,9 dB(A)	95,4 dB(A) K=1,52 dB(A)	
Sound pressure level at operator's ear L_{PA}	80,1 dB(A) K=3 dB(A)	83,9 dB(A) K=2,5 dB(A)	
Garantovan nivo jačine zvuka L_{WA} (prema 2000/14/EC)	93 dB(A)	97 dB(A)	
Vibracije a_h	Zadnja drška	3,2 m/s ² K=1,5 m/s ²	2,872 m/s ² K=1,5 m/s ²
	Prednja drška	3,9 m/s ² K=1,5 m/s ²	3,536 m/s ² K=1,5 m/s ²

- Deklarisana ukupna vrednost vibracije je izmerena u skladu sa standardnim metodom testiranja i može se koristiti za upoređivanje jednog alata sa drugim;
- Deklarisana ukupna vrednost vibracije može se koristiti i u preliminarnoj proceni izlaganja.

NAPOMENA: Emisija vibracija tokom stvarne upotrebe električnog alata može da se razlikuje od deklarisanane vrednosti u kojoj se alat koristi. Da bi se rukovalac zaštitio, korisnik bi trebalo da nosi rukavice i štitičke za uši u stvarnim uslovima korišćenja.

POPIS PAKOVANJA

NAZIV DELA	KOLIČINA
Trimer za živicu	1
Štitnik	1
Priručnik za rukovaoca	1

OPIS

UPOZNAJTE TRIMER ZA ŽIVICU (slika A)

1. Zaštitna vrha
2. Sečivo
3. Štitnik noža
4. Prednja poluga prekidača
5. Prednja drška
6. Dugme za zaključavanje
7. Zadnja poluga prekidača
8. Zadnja drška
9. „U“ kukica
10. Utičnica
11. Štitnik za ruke
12. Štitnik

⚠ UPOZORENJE: Ovaj proizvod je isporučen potpuno sklopljen. Štitnik za ruke se nikad ne sme uklanjati tokom upotrebe. Kad se ošteti, odmah ga zamenite kod kvalifikovanog servisnog tehničara.

⚠ UPOZORENJE: Bezbedna upotreba ovog proizvoda zahteva razumevanje informacija na alatu i u ovom priručniku za rukovaoca, kao i znanje o projektu koji planirate. Pre upotrebe ovog proizvoda, upoznajete se sa svim radnim funkcijama i sigurnosnim pravilima.

RUKOVANJE

⚠ UPOZORENJE: Ne dozvolite da zbog poznavanja ovog proizvoda postanete nemarni. Zapamtite da je delić sekunde nepažnje dovoljan da nanese ozbiljnu povredu.

⚠ UPOZORENJE: Uvek nosite zaštitne naočare za bočnim štitnicima i zaštitu za sluh. Nepridržavanje toga može dovesti do predmeta izbačenih prema očima i drugih ozbiljnih povreda.

⚠ UPOZORENJE: Da biste sprečili nehotično pokretanje koje bi moglo izazvati ozbiljne telesne povrede, uvek uklonite bateriju iz alata kada sklapate delove, podešavate, čistite ili kad ga ne koristite.

⚠ UPOZORENJE: Ne koristite nikakve dodatke ili pribor koje nije preporučio EGO™. Upotreba dodataka ili pribora koji nisu preporučeni može da dovede do ozbiljne telesne povrede.

Pre svake upotrebe pregledajte čitav proizvod radi oštećenih, nedostajućih ili labavih delova poput vijaka, navrtnja, zavrtnja, kapica itd. Čvrsto zategnite sve spojeve i kapice i ne rukujte ovih proizvodom dok svi nedostajući ili oštećeni delovi ne budu zamenjeni.

Proizvod se može koristiti po kiši.

INSTALIRANJE/VAĐENJE BATERIJE

Koristite samo sa baterijama i punjačima navedenim na slici A.

Napunite pre prve upotrebe.

Za instalaciju (slika B, C i D)

Sa poravnatim logotipom ▲ na utikaču, odnosno trimeru za živicu, umetnite utikač u trimer za živicu dok zelena zaptivka potpuno ne nestane u utičnici.

Montirajte kabl baterije u „U“ kukicu.

Za uklanjanje (slika E)

Izvadite kabl baterije iz „U“ kukice i izvucite utikač iz trimera za živicu.

POKRETANJE/ZAUSTAVLJANJE TRIMERA ZA ŽIVICU

Pre rukovanja, skinite štitnik i uhvatite trimer sa obe ruke; jedna ruka je na zadnjoj drški a druga ruka je na prednjoj drški. Zatim proverite balansiran položaj nogu, pravilno držanje tela i pravilnu udaljenost sečenja.

⚠ UPOZORENJE: Uvek držite obe ruke na drškama trimera za živicu. Nikad ne držite žbunje jednom rukom a trimer za živicu drugom. Ako se ne pridržavate ovog upozorenja, može doći do ozbiljne povrede.

⚠ UPOZORENJE: Kad zaustavljate trimer za živicu, prebacite dugme za zaključavanje u položaj „OFF“ pre no što izvadite bateriju. Ako se ne pridržavate ovog upozorenja, to može da izazove ozbiljne povrede.

Za pokretanje

Gurnite dugme za zaključavanje u položaj „ON“ (slika F) a zatim pritisnite zadnju polugu prekidača. Dok je zadnja poluga prekidača pritisnuta, nastavite da pritisunate prednju polugu prekidača za pokretanje.

Opis delova sa Sl. F pogledajte ispod:

F-1	Dugme za zaključavanje
F-2	Zadnja poluga prekidača

Za zaustavljanje

Pustite bilo koju od poluga prekidača da biste ga zaustavili i prebacite dugme za zaključavanje u položaj „OFF“ da biste sprečili nehotično pokretanje.

NAPOMENA: Obe poluge prekidača treba da budu pritisnute da bi se trimmer za živicu pokrenuo.

DRŽANJE TRIMERA ZA ŽIVICU

Sa nožem dalje od sebe, uhvatite trimmer sa obe ruke, odvojeno hvatajući prednju i zadnju dršku. Tri smeru držanja mogu da pogoduju različitim operacijama sečenja (slika G, H i I).

KORIŠĆENJE TRIMERA ZA ŽIVICU

⚠️ UPOZORENJE: Ako se nož zaglavi na bilo kakvom strujnom kablju ili vodu, **NE DODIRUJTE NOŽ! MOŽE DA BUDE POD NAPONOM I VEOMA OPASAN.** Nastavite da držite trimmer za živicu za izolovanu zadnju dršku ili ga spustite na tlo i dalje od sebe na bezbedan način. Isključite oštećeni kabl iz električne mreže pre no što pokušate da oslobodite nož od kabla. Nepoštovanje ovog upozorenja može dovesti do ozbiljne telesne povrede ili eventualne smrti.

⚠️ UPOZORENJE: Da biste sprečili ozbiljnu telesnu povredu, držite šake dalje od noževa. Ne pokušavajte da uklonite odsečeni materijal niti da držite materijal koji treba da seče dok se noževi kreću. Vodite računa da su se noževi potpuno zaustavili i da je baterija izvađena pre čišćenja materijala zaglavljenog u noževima. Ne hvatajte izložene noževe za sečenje ili ivice za sečenje kad podižete ili držite jedinicu.

⚠️ UPOZORENJE: Očistite područje na kojem ćete seći pre svake upotrebe. Uklonite sve predmete poput kablova, lampi, žica ili kanapa koji bi mogli da se zakače za nož za sečenje i stvore rizik od ozbiljne telesne povrede.

⚠️ UPOZORENJE: Izbegavajte da orezujete suviše odjednom ili kroz gusto šiblje. To može da izazove zakačivanje i usporavanje noževa i da smanji efikasnost sečenja.

NAPOMENA: Za mlado rastinje, široko zamahivanje je prikladno za stabljike koje ulaze direktno u nož za sečenje. Za starije rastinje, pokret testerisanja je dobar za orezivanje debljih stabljika. Preporučuje se da se veće stabljike prvo orežu ručnom testerom ili testerom za potkresivanje koje nisu na struju.

Sečenje vrha

Koristite širok pokret zamahivanja. Blago naginjanje noževa nadole u smeru kretanja daje najbolje rezultate sečenja. Za bolji efekat sečenja možete da koristite i kanap da vodi ravan živice, kako je prikazano na slici J.

Bočno sečenje

Kad orezujete bočne strane živice, počnite odole i secite nagore, kako je prikazano na slici K.

Zaštita vrha

Zaštita vrha (slika L) se koristi da zaštiti spoljašnji kraj noža.

Štitnik noža

Spoljašnji deo noževa je oblikovan kao štitnici noža (slika M). Opis delova sa Sl. M pogledajte ispod:

M-1	Sečivo
M-2	Štitnik noža

⚠️ UPOZORENJE: Uvek proverite da li je štitnik noža oštećen ili iskrivljen. Zamenite ga ako je savijen ili oštećen.

ODRŽAVANJE

⚠️ UPOZORENJE: Tokom servisiranja, koristite samo identične rezervne delove. Upotreba bilo kakvih drugih delova može da dovede do opasnosti ili da izazove oštećenje proizvoda. Da bi se osigurala sigurnost i pouzdanost, sve popravke treba da radi kvalifikovani servisni tehničar.

⚠️ UPOZORENJE: Da biste izbegli ozbiljne telesne povrede, uvek izvadite bateriju iz proizvoda kad ga čistite ili održavate.


ČIŠĆENJE

- Koristite meku četku da uklonite prljavštinu iz svih ulaza za vazduh i sa noža za sečenje.

- Da biste uklonili smolu i druge lepljive ostatke, poprskajte noževе rastvaračem smole. Nakratko pokrenite motor da bi se rastvarač ravnomerno rasporedio.
- Obrišite površinu suvom krpom.

⚠ UPOZORENJE: Izbegavajte korišćenje rastvarača kada čistite plastične delove. Većina plastike je podložna oštećenjima od raznih tipova komercijalnih rastvarača. Koristite čistu krpu da uklonite zemlju, prašinu, ulje, masnoću itd.

OŠTRENJE NOŽA ZA SEČENJE

1. Izvadite bateriju iz trimera za živicu.
2. AHB6500S/AHB7500S: Stegnite sklop noža u stegu i turpijajte izloženu površinu za sečenje na svakom zubu noža. Uklonite što je moguće manje materijala. AHB6500/AHB7500 (Sa „“ i „ojačano“ na površini noža): Stegnite sklop noža u stegu i naoštrite izloženu reznu površinu dijamantskom turpijom ili točilom male brzine (brzina rotacije <2500 min-1, brzina uvlačenja <60 mm/min, broj mrežice >100). Uklonite što je moguće manje materijala.
3. Izvadite trimer za živicu iz stega i namestite ga tako da nenaoštreni nož sa druge strane bude izložen.

Ponovite gornje procedure dok svi zubi noža ne budu naoštreni.

NAPOMENA: Ne rukujte trimenom sa tupim ili oštećenim noževima za sečenje. To može da izazove preopterećenje i daće nezadovoljavajuće rezultate sečenja.

NAPOMENA: Normalna metalna turpija se ne može koristiti za oštrenje specijalnog noža AHB6500/AHB7500.

NAPOMENA: Kad koristite točilo male brzine (brzina rotacije <2500 min-1) za oštrenje noža, prestano kvasite zube noža vodom tokom oštrenja.

PODMAZIVANJE TRIMERA ZA ŽIVICU

⚠ UPOZORENJE: Ne podmazujte trimer za živicu dok je još uvek spojen sa baterijom ili dok radi.

Podmazivanje noža

Za najbolji rad i duži radni vek noža, podmazujte nož trimera za živicu lakim mašinskim uljem pre i posle svake upotrebe.

Izvadite bateriju i položite trimer na ravnu površinu. Nanesite ulje duž ivice gornjeg noža (slika N).

Podmazivanje menjača brzina

Za najbolji rad i duži radni vek, podmazujte menjač brzina na trimeru za živicu specijalnim mazivom (5-6 g u #1 i 10-12 g u #2 svaki put) posle svakih 50 sati rada.

Specijalno mazivo treba da ispunji sledeće zahteve.

1. Spada u DIN51818: NLGI-2 stepen penetracije konusa.
2. Sastoji se od poliurea zgušnjivača i sintetičkog ulja za podmazivanje
3. Svojstva odličnog pokretanja na niskoj temperaturi, EP, mehaničkog smicanja, otpornosti na abraziju i oksidativne stabilnosti.
4. Radna temperatura mora da obuhvati -40 - 180°C.

Izvadite utikač baterije i dva zaptivna vijka (slika O). Podmazivanje menjača brzina kroz rupicu za ulje.

NAPOMENA: Nemojte potpuno napuniti menjač brzina mazivom.

TRANSPORTOVANJE I SKLADIŠTENJE

- Uvek stavite štitnik na nož pre skladištenja ili transportovanja trimera za živicu. Budite oprezni da biste izbegli oštre zube noža.
- Temeljno očistite trimer za živicu pre no što ga uskladištite.
- Skladištite trimer za živicu u zatvorenom prostoru, na suvom mestu koje nije dostupno deci.
- Držite dalje od korozivnih sredstava poput baštenskih hemikalija i soli za odmrzavanje.

⚠ UPOZORENJE: Noževi su oštri. Kad rukujete sklopom noža, nosite čvrste zaštitne rukavice koje se ne klizu. Ne stavljajte šake ili prste između noževa ili u bilo koji položaj gde se možete uštinuti ili poseći. NIKAD ne dodirujte noževе i ne servisirajte jedinicu kad je baterija instalirana.

Zaštita životne sredine



Ne odlažite električnu opremu, potrošene baterije i punjače u kućni otpad! Odnosite ovaj proizvod u ovlašćeni pogon za reciklažu ili ga odvojite od ostalog smeća radi zasebnog prikupljanja. Električni alati moraju se odneti u ekološki prihvatljiv pogon za reciklažu.

REŠAVANJE PROBLEMA

PROBLEM	UZROK	REŠENJE
Trimer za živicu ne radi.	<ul style="list-style-type: none"> ■ Baterija nije spojena na trimer za živicu ili nema električnog kontakta između trimera za živicu i baterije. ■ Baterija je prazna. ■ Dugme za zaključavanje nije gurnuto u položaj „ON“ pre pritiskanja poluga prekidača. ■ Baterija ili trimer za živicu su prevrući. ■ Nož je zaglavljen. ■ Trimer za živicu je preopterećen. 	<ul style="list-style-type: none"> ■ Ponovo umetnite utikač baterije u trimer za živicu. ■ Napunite bateriju navedenim punjačem. ■ Pre korišćenja trimera, potvrdite da je dugme za zaključavanje otključano. ■ Ostavite bateriju ili trimer da se hlade dok temperatura ne dosegne normalnu. ■ Izvadite bateriju iz alata. Pažljivo uklonite začepljenje a zatim ponovo umetnite bateriju i ponovo pokrenite alat. ■ Smanjite opterećenje mašine.
Dolazi do prekomernih vibracija ili buke.	<ul style="list-style-type: none"> ■ Suvi ili korodirani noževi. ■ Noževi ili nosač noža su savijeni. ■ Savijeni ili oštećeni zubi. ■ Labavi zavrtnji noža. 	<ul style="list-style-type: none"> ■ Podmažite noževe. ■ Zamenite novim nožem ili nosačem. Obratite se EGO servisnom centru radi zamene noža ili nosača. ■ Zamenite novim nožem. Obratite se EGO servisnom centru radi zamene noža. ■ Zategnite zavrtnje noža. Ključem okrenite zavrtnj u smeru kazaljke na satu da biste ga zategnuli.

GARANCIJA

EGO POLITIKA GARANCIJE

Posetite veb-lokaciju egopowerplus.eu za potpune uslove i odredbe EGO politike garancije.

PROČITAJTE UPUTSTVO U CIJELOSTI!



PROČITAJTE KORISNIČKI PRIRUČNIK.

⚠ UPOZORENJE! Radi osiguranja sigurnosti i pouzdanosti, sve popravke i zamjene treba obavljati kvalifikovani servisni tehničar.

SIGURNOSNI SIMBOLI

Svrha sigurnosnih simbola je skretanje pažnje na moguće opasnosti. Sigurnosni simboli i njihova objašnjenja zahtijevaju vašu potpunu pažnju i razumijevanje. Sami simboli upozorenja sami po sebi ne isključuju opasnost.

Uputstva i upozorenja koja pružaju nisu zamjena za opisne mjere za prevenciju nesreća.

⚠ UPOZORENJE! Prije upotrebe ovog alata pobrinite se da sva sigurnosna uputstva u ovom korisničkom priručniku, uključujući sve sigurnosne simbole kao što su "OPASNOST", "UPOZORENJE" i "OPREZ" pročitate s razumijevanjem. Zanemarivanje svih uputstava navedenih u nastavku može rezultirati strujnim udarom, požarom i/ili teškim tjelesnim povredama.

ZNAČENJE SIMBOLA

SIGURNOSNI SIMBOL UPOZORENJA: ukazuje na **OPASNOST**, **UPOZORENJE** ili **OPREZ**. Može se upotrebljavati u kombinaciji s drugim simbolima ili piktogramima.

⚠ UPOZORENJE! Rukovanje električnim alatima može rezultirati odbacivanjem stranih predmeta u oči, što opet može izazvati teška oštećenja očiju. Prije početka rukovanja električnim alatom, uvijek nosite zatvorene zaštitne naočale ili zaštitne naočale s bočnim štitičnicima, a prema potrebi i štitičnik za cijelo lice. Preporučujemo nošenje sigurnosne maske proizvođača Wide Vision preko naočala, ili nošenje standardnih zaštitnih naočala s bočnim štitičnicima.

SIGURNOSNA UPUTSTVA

Na ovoj stranici slikovno su prikazani i objašnjeni sigurnosni simboli koji se mogu pojaviti na ovom proizvodu. Prije pokušaja sastavljanja i rukovanja, s razumijevanjem pročitajte sva uputstva na proizvodu i pridržavajte ih se.

	Simbol upozorenja	Ukazuje na potencijalnu opasnost od tjelesnih povreda.
	Pročitajte korisnički priručnik.	Radi smanjenja opasnosti od povreda, korisnik treba pročitati korisnički priručnik.
	Ruke i stopala držite podalje od reznog alata.	Nemojte nikada pokušavati da rukujete električnim alatom jednom rukom. Gubitak kontrole nad električnim alatom može rezultirati teškim ili smrtonosnim povredama. Radi smanjenja opasnosti od posjekotina, držite ruke i stopala podalje od reznog alata. Nemojte nikada pričvršćivati pokretni rezni alat rukom ili drugim dijelom tijela.
	Nosite zaštitu za oči.	Kada upotrebljavate ovaj proizvod, uvijek nosite zatvorene zaštitne naočale ili zaštitne naočale s bočnim štitičnicima i štitičnik za cijelo lice.
	Buka	Zagarantovani nivo zvučne snage. Emisija buke u okruženju u skladu je s Direktivom Evropske unije.
	Oznaka CE	Ovaj proizvod je u skladu s primjenjivim Direktivama EU.
	UKCA	Ovaj proizvod je u skladu s važećim zakonodavstvom Ujedinjenog Kraljevstva.
	WEEE	Otpadni električni proizvodi ne smiju se odlagati s otpadom iz domaćinstva. Onesite ih u ovlaštenu centar za reciklažu.
	Dužina noža	Dužina noža
	Kapacitet rezanja	Maks. kapacitet rezanja noža
IPX5	IP simbol	Zaštita od vodenih mlazova
V	Volt	Napon
	Istosmjerna struja	Vrsta ili karakteristike struje
.../min	U minuti	Okretaji u minuti

mm	Milimetar	Dužina ili dimenzija
cm	Centimetar	Dužina ili dimenzija
n ₀	Brzina vrtnje bez opterećenja	Brzina okretanja, bez opterećenja

OPĆA SIGURNOSNA UPOZORENJA ZA ELEKTRIČNE ALATE

▲ UPOZORENJE! Pročitajte sva sigurnosna upozorenja, uputstva, sve ilustracije i specifikacije isporučene s ovim električnim alatom. Zanemarivanje svih uputstava navedenih u nastavku može rezultirati strujnim udarom, požarom i/ili teškim povredama.

Sačuvajte sva upozorenja i uputstva za buduće potrebe.

Pojam "električni alat" u upozorenjima odnosi se na vaš električni alat na strujni pogon (s kabelom) ili električni alat na baterijski pogon (bez kabela).

SIGURNOST RADNOG PODRUČJA

- **Radno područje održavajte čistim i dobro osvijetljenim.** Pretrpana ili mračna područja izazivaju nesreće.
- **Električni alat nemojte upotrebljavati u eksplozivnim atmosferama, kao na primjer u prisutnosti zapaljivih tekućina, plinova ili prašine.** Električni alat stvara iskre koje mogu zapaliti prašinu ili isparenja.
- **Djecu i posmatrače držite podalje tokom rada s električnim alatom.** Ometanja mogu rezultirati gubitkom kontrole nad alatom.

ELEKTRIČNA SIGURNOST

- **Utikači električnog alata moraju odgovarati utičnicima. Nemojte modifikovati utikač ni na koji način. Nemojte upotrebljavati utikače adaptera s uzemljenim električnim alatima.** Nemodifikovani utikači i odgovarajuće utičnice smanjit će rizik od strujnog udara.
- **Izbjegavajte kontakt tijela s uzemljenim površinama, kao što su slavine, radijatori, peći i frizideri.** Postoji povećan rizik od strujnog udara ako je vaše tijelo uzemljeno.
- **Električni alat nemojte izlagati kiši ili mokrim uslovima.** Prodiranje vode u električni alat povećat će rizik od strujnog udara.

- **Nemojte nepropisno upotrebljavati kabel iz kompleta baterija. Kabel nemojte nikada upotrebljavati za nošenje, povlačenje ili isključivanje električnog alata iz strujnog napajanja. Kabel držite podalje od topline, ulja, oštih rubova ili pokretnih dijelova.** Oštećeni ili isprepleteni kabeli povećavaju rizik od strujnog udara.
- **Kada električnim alatom radite na otvorenom, upotrebljavajte produžni kabel prikladan za upotrebu na otvorenom.** Upotreba kabela prikladnog za upotrebu na otvorenom smanjuje rizik od strujnog udara.
- **Ako je rad s električnim alatom u području s parom neizbježan, upotrebljavajte napajanje sa zaštitnim uređajem diferencijalne struje (RCD).** Upotrebom zaštitnog uređaja diferencijalne struje smanjuje se rizik od strujnog udara.

LIČNA SIGURNOST

- **Budite oprezni, gledajte šta radite i koristite se uobičajenim osjećajem kada radite s električnim alatom. Nemojte upotrebljavati električni alat kada ste umorni ili pod utjecajem opojnih sredstava, alkohola ili lijekova.** Trenutak nepažnje tokom rada s električnim alatima može rezultirati teškim tjelesnim povredama.
- **Upotrebljavajte ličnu zaštitnu opremu. Uvijek nosite zaštitu za oči.** Zaštitna oprema poput maske za zaštitu od prašine, neklizajuće sigurnosne obuće, kacige ili zaštite za sluh upotrijebljena za odgovarajuće uslove smanjit će tjelesne povrede.
- **Spriječite nenamjerno pokretanje. Prije spajanja na izvor napajanja i/ili komplet baterija, uzimanja ili nošenja alata uvjerite se da se prekidač nalazi u isključenom položaju.** Nošenje električnih alata s prstom na prekidaču ili napajanje električnih alata koji imaju uključen prekidač izaziva nesreće.
- **Prije uključivanja električnog alata uklonite sve ključeve za podešavanje ili ključeve.** Ključ ili ključ za podešavanje ostavljen pričvršćen na rotacijski dio električnog alata može rezultirati tjelesnim povredama.
- **Nemojte se previše naginjati prema naprijed. Cijelo vrijeme održavajte propisno držanje i ravnotežu.** To će omogućiti bolju kontrolu nad električnim alatom u neočekivanim situacijama.
- **Obucite se prikladno. Nemojte nositi široku odjeću ili nakit. Kosu i odjeću uvijek držite podalje od dijelova koji se kreću.** Dijelovi koji se kreću mogu zahvatiti široku odjeću, nakit ili dugu kosu.

- Ako su uređaji namijenjeni za spajanje sistema za izvlačenje i sakupljanje prašine, pobrinite se da se propisno spoje i upotrebljavaju. Upotrebom uređaja za sakupljanje prašine mogu se smanjiti opasnosti koje se odnose na prašinu.
- Nemojte dozvoliti da vas poznavanje alata stečeno čestom upotrebom učini samodopadnim pa da ignorirate sigurnosne principe za alat. Nemarne radnje u djeliću sekunde mogu rezultirati teškim povredama.

UPOTREBA I NJEGA ELEKTRIČNOG ALATA

- Nemojte preopterećavati električni alat. Upotrebljavajte ispravan električni alat za svoju primjenu. Ispravan električni alat bolje će i sigurnije odraditi posao pri brzini za koju je predviđen.
- Nemojte upotrebljavati električni alat ako ga prekidač ne uključuje i isključuje. Svaki električni alat koji se ne može kontrolisati prekidačem opasan je i potrebno ga je popraviti.
- Prije obavljanja podešavanja, zamjene dodatne opreme ili skladištenja električnih alata isključite utikač iz izvora napajanja i/ili komplet baterija iz električnog alata. Takve preventivne sigurnosne mjere smanjuju rizik od iznenadnog pokretanja električnog alata.
- Nekorišteni električni alat skladištite izvan dohvata djece i nemojte dozvoliti da osobe koje ne poznaju električni alat ili ova uputstva rade s električnim alatom. Električni alati opasni su u rukama neobučениh korisnika.
- Održavajte električne alate i dodatnu opremu. Proverite jesu li pokretni dijelovi centrirani ili spojeni, ima li polomljenih dijelova i postoji li stanje koje može uticati na rad električnog alata. Ako je oštećen, električni alat dajte na popravak prije upotrebe. Loše održavani električni alati uzrok su mnogih nesreća.
- Rezne alate održavajte oštirim i čistima. Propisno održavani rezni alati s oštrim reznim rubovima vjerovatno se neće spajati i lakši su za upravljanje.
- Električni alat, dodatnu opremu i alatne nastavke, itd., upotrebljavajte u skladu s ovim uputstvima, uzimajući u obzir radne uslove i posao koji je potrebno obaviti. Upotreba električnog alata za radove drukčija od namjenske može rezultirati opasnim situacijama.

- Rukohvate i površine rukohvata održavajte suhim, čistim i očišćenim od ulja i masti. Skliske rukohvati i skliske površine rukohvata onemogućuju sigurno rukovanje i upravljanje alatom u neočekivanim situacijama.

UPOTREBA I NJEGA BATERIJSKOG ALATA

- Punjenje obavljajte samo s punjačem kojeg je naveo proizvođač. Punjač koji je prikladan za jedan tip kompleta baterija može stvoriti rizik od požara ako ga se upotrebljava s drugim kompletom baterija.
- Električni alat upotrebljavajte samo s izričito navedenim kompletima baterija. Upotreba drugih kompleta baterija može stvoriti rizik od povreda i požara.
- Kada se komplet baterija ne upotrebljava, držite ga podalje od drugih metalnih predmeta poput spajalica za papir, kovanica, ključeva, eksera, vijaka ili drugih malih metalnih predmeta koji mogu međusobno spojiti kontakte. Kratko spajanje baterijskih kontakata može uzrokovati opekotine ili požar.
- U slučaju pogrešne upotrebe, baterija može izbaciti tekućinu; izbjegavajte kontakt. Ako slučajno dođe do kontakta, odnosno mjesta isperite vodom. Ako tekućina dođe u kontakt s očima, dodatno potražite pomoć ljekara. Tekućina koju izbacila baterija može uzrokovati nadražaj kože ili opekotine.
- Pridržavajte se svih uputstava za punjenje i komplet baterija ili alat nemojte puniti izvan okvira opsega temperature navedenog u uputstvima. Nepropisno punjenje ili punjenje pri temperaturama izvan okvira određenog opsega može oštetiti bateriju i povećati opasnost od požara.
- Nemojte upotrebljavati oštećene ili modifikovan komplet baterija ili alat. Oštećene ili modifikovane baterije mogu pokazati nepredvidivo ponašanje koje može rezultirati požarom, eksplozijom ili opasnošću od povreda.
- Komplet baterija ili alat nemojte izlagati vatri ili previsokoj temperaturi. Izlaganje vatri ili temperaturi višoj od 100°C može uzrokovati eksploziju.

SERVISIRANJE

- Servisiranje električnog alata prepustite kvalifikovanom osoblju za popravak koje upotrebljava samo identične zamjenske dijelove. Time će se osigurati održavanje sigurnosti električnog alata.
- Nemojte nikada servisirati oštećene komplete baterija. Servisiranje kompleta baterija smiju obavljati samo proizvođač ili ovlašteni serviseri.

SIGURNOSNA UPOZORENJA ZA MAKAZE ZA ŽIVICU

- Sve dijelove tijela držite podalje od reznog noža. Kada se noževi kreću, nemojte uklanjati odrezani materijal ili nemojte držati materijal koji je potrebno rezati. Kada čistite zaglavljene materijal, uvjerite se da je prekidač u isključenom položaju. Trenutak nepažnje tokom rada s makazama za živicu može rezultirati teškim tjelesnim povredama.
- Makaze za živicu nosite za rukohvat zaustavljenog reznog noža. Kada transportujete ili skladištite makaze za živicu, uvijek stavite navlaku za rezni uređaj. Propisnim rukovanjem makazama za živicu smanjit će se moguće tjelesne povrede od reznih noževa.
- Električni alat držite samo za izolirane površine rukohvata jer rezni nož može dotaknuti skrivene kabele. Ako rezni noževi dotaknu kabel koji provodi struju, postoji opasnost da izloženi metalni dijelovi električnog alata isto provode struju što za rukovaoca može predstavljati opasnost od strujnog udara.
- Držite kabel baterije podalje od područja rezanja. Tokom rada kabel može biti zaklonjen od pogleda u grmlju i može se nehotično prerezati nožem.
- Prije rukovanja provjerite ima li u živici stranih predmeta, npr. žičane ograde.
- Makaze za živicu upotrebljavajte samo s propisno postavljenim štitnikom. Upotreba makaza za živicu bez propisno postavljenog štitnika može rezultirati teškim tjelesnim povredama!
- Makazama za živicu rukujte objema rukama. Rukovanje jednom rukom može uzrokovati gubitak kontrole i rezultirati teškim tjelesnim povredama.

VAŽNA SIGURNOSNA UPUTSTVA

- Komplet baterija nemojte puniti na kiši ili na mokrim mjestima.
- Komplet baterija je potrebno izvaditi iz kosilice prije odlaganja u otpad.
- Nemojte zahvaćati izložene rezne noževe ili rezne bridove kada uzimate ili držite makaze za živicu.
- Alat nemojte upotrebljavati na ljestvama, krovu, stablu ili drugoj nestabilnoj podlozi. Stabilno uporište na tvrdoj površini omogućuje bolju kontrolu nad makazama za živicu u neočekivanim situacijama.
- Nemojte nikada dozvoliti da djeca rukuju makazama za živicu.
- Nemojte nikada uklanjati sigurnosne uređaje ili obavljati preinake sigurnosnih uređaja. Redovno provjeravajte njihovu propisnu funkciju. Nemojte nikada činiti nešto što ometa predviđenu funkciju sigurnosnog uređaja ili ograničava zaštitu koju pruža sigurnosni uređaj.

- Često provjeravajte propisnu pritegnutost montažnih vijaka noža i motora. Pregledajte nož na postojanje oštećenja (npr. da li je savijen, napukao i istrošen). Nož zamijenite samo s nožem proizvođača EGO™.
- Zamijenite nož ako je savijen ili napukao. Necentrirani nož uzrokuje vibracije koje mogu oštetiti pogonsku jedinicu motora ili tjelesne povrede.
- Ako oprema počne neobičajeno vibrirati, zaustavite motor i odmah potražite uzrok.
- Makaze za živicu smiju se upotrebljavati za rezanje stabljika debljine manje od (33 mm).
- Uređaj nemojte prati crijevom; izbjegavajte da voda dospje u motor i električne priključke.
- Pridržavajte se uputstava za podmazivanje i zamjenu pribora.
- Rukohvate održavajte suhim, čistim i očišćenim od ulja i masti.
- Sačuvajte ova uputstva. Uputstvima se koristite često i koristite ih za upućivanje drugih osoba koje mogu koristiti ovaj alat. Ako ovaj alat nekom posudite, priložite i ovo uputstvo radi sprečavanja nepropisne upotrebe proizvoda i mogućih povreda.

SACUVAJTE OVA UPUTSTVA!

TEHNIČKI PODACI

Napon	56 V	56 V
Brzina noža	1.800 o/min	1.800 o/min
Dužina noža	65 cm	75 cm
Kapacitet rezanja	31 mm	31 mm
Tool weight	4,1 kg	4,2 kg
Preporučena radna temperatura	0°C - 40°C	0°C - 40°C
Preporučena temperatura skladištenja	-20°C - 70°C	-20°C - 70°C
Izmjereni nivo zvučne snage L_{WA}	90,1 dB(A) K = 2,9 dB(A)	95,4 dB(A) K = 1,52 dB(A)
Nivo zvučnog pritiska kod uha rukovaoca L_{PA}	80,1 dB(A) K = 3 dB(A)	83,9 dB(A) K = 2,5 dB(A)
Zagarantovani nivo zvučne snage L_{WA} (u skladu s Direktivom 2000/14/EZ)	93 dB(A)	97 dB(A)

Vibracije a_h	Stražnji rukohvat	3,2 m/s ² K = 1,5 m/s ²	2,872 m/s ² K = 1,5 m/s ²
	Prednji rukohvat	3,9m/s ² K = 1,5m/s ²	3,536 m/s ² K = 1,5 m/s ²

- Deklarisane ukupne vrijednosti vibracija izmjerene su u skladu sa standardnom metodom ispitivanja i mogu se primjenjivati za poređenje jednog alata s drugim.
- Deklarisane ukupne vrijednosti vibracija mogu se primjenjivati i u preliminarnoj procjeni izloženosti.

NAPOMENA! Emisija vibracija tokom aktualne upotrebe električnog alata može se razlikovati od deklarirane vrijednosti u kojoj se alat upotrebljavao; Korisnik radi zaštite treba nositi rukavice i štitnike za uši u aktualnim uslovima upotrebe.

LISTA PAKOVANJA

NAZIV DIJELA	KOLIČINA
Makaze za živicu	1
Štitnik	1
Korisnički priručnik	1

OPIS

UPOZNAJTE SVOJE MAKAZE ZA ŽIVICU (sl. A)

1. Štitnik za vrh
2. Nož
3. Štitnik noža
4. Prednja ručica za prebacivanje
5. Prednji rukohvat
6. Dugme za deblokadu
7. Stražnja ručica za prebacivanje
8. Stražnji rukohvat
9. Kuka "U"
10. Postolje
11. Štitnik za ruke
12. Štitnik

▲ UPOZORENJE! Ovaj proizvod isporučen je potpuno sastavljen. Štitnik za ruke nikada se ne smije uklanjati tokom upotrebe. U slučaju oštećenja, zamjenu odmah treba obaviti kvalifikovani servisni tehničar.

▲ UPOZORENJE! Sigurna upotreba ovog proizvoda zahtijeva razumijevanje informacija na alatu i u ovom korisničkom priručniku, kao i poznavanje radova koje namjeravate obaviti. Prije upotrebe ovog proizvoda upoznajte se sa svim radnim funkcijama i sigurnosnim propisima.

RAD

▲ UPOZORENJE! Nemojte dozvoliti da vas poznavanje ovog proizvoda učini nepažljivim. Imajte na umu da je za nanošenje teških povreda dovoljan samo djelić sekunde nepažnje.

▲ UPOZORENJE! Uvijek nosite zaštitne naočale s bočnim štitnicima, zajedno sa zaštitom za sluh. Nepostupanje u skladu s tim može rezultirati odbacivanjem predmeta u oči i drugim mogućim teškim povredama.

▲ UPOZORENJE! Radi sprečavanja iznenadnog pokretanja koje može uzrokovati teške tjelesne povrede, uvijek izvadite komplet baterija iz alata kada postavljate dijelove, obavljate radove podešavanja, čišćenja ili kada ne upotrebljavate alat.

▲ UPOZORENJE! Nemojte upotrebljavati priključke ili pribor koje nije preporučio proizvođač EGO™. Upotreba nepreporučenih priključaka ili pribora može rezultirati teškim tjelesnim povredama.

Prije svake upotrebe pregledajte cijeli proizvod na postojanje oštećenih, nedostajućih ili otpuštenih dijelova, kao što su vijci, matice, osovinice, kapice, itd. Dobro pritegnite sve pričvrstne elemente i kapice i nemojte upotrebljavati ovaj proizvod dok ne postavite sve dijelove koji nedostaju ili zamijenite sve oštećene dijelove.

Proizvod se može upotrebljavati na kiši.

POSTAVLJANJE/SKIDANJE KOMPLETA BATERIJA

Upotrebljavajte samo s kompletima baterija i punjačima koji su navedeni na sl. A.

Komplet baterija napunite prije prve upotrebe.

Postavljanje (sl. B, C i D)

Uz usklađeni logotip ▲ na utikaču i makazama za živicu, utaknite utikač u makaze za živicu tako da zelena oznaka potpuno nestane u utičnici.

Stavite baterijski kabel u kuku "U".

Skidanje (sl. E)

Oslobodite baterijski kabel iz kuke "U" i izvucite utikač iz makaza za živicu.

POKRETANJE/ZAUSTAVLJANJE MAKAZA ZA ŽIVICU

Prije rukovanja uklonite štitnik i objema rukama držite makaze za živicu. Jednu ruku držite na stražnjem rukohvatu, a drugu na prednjem rukohvatu. Zatim provjerite stabilno držanje i ravnotežu, ispravan položaj tijela i propisnu udaljenost za rezanje.

⚠ UPOZORENJE! Uvijek držite obje ruke na rukohvatima makaza za živicu. Nemojte nikada da jednom rukom držite šibljce, a da drugom rukom rukujete makazama za živicu. Zanemarivanje ovog upozorenja može rezultirati teškim povredama.

⚠ UPOZORENJE! Kada zaustavljate makaze za živicu, prebacite dugme za deblokadu u položaj "OFF" prije vađenja kompleta baterija. Zanemarivanje ovog upozorenja može rezultirati teškim povredama.

Pokretanje

Gurnite dugme za deblokadu u položaj "ON" (sl. F), a zatim pritisnite stražnju ručicu za prebacivanje. S pritisnutom stražnjom ručicom za prebacivanje nastavite pritisnuti prednju ručicu za prebacivanje radi pokretanja. Opis dijelova na sl. F pogledajte u nastavku:

F-1	Dugme za deblokadu
F-2	Stražnja ručica za prebacivanje

Zaustavljanje

Za zaustavljanje otpustite bilo koju ručicu za prebacivanje i prebacite dugme za deblokadu u položaj "OFF" da spriječite iznenadno pokretanje.

NAPOMENA! Za pokretanje makaza za živicu potrebno je pritisnuti obje ručice za prebacivanje.

DRŽANJE MAKAZA ZA ŽIVICU

Makaze za živicu držite objema rukama, zasebno držeći prednji i stražnji rukohvat, noža okrenutog od vas. Tri smjera držanja mogu odgovarati za različite radove rezanja (sl. G, H i I).

UPOTREBA MAKAZA ZA ŽIVICU

⚠ UPOZORENJE! Ako se nož zaglavi u strujni kabel ili vod, **NEMOJTE DODIRIVATI NOŽ! NOŽ MOŽE POSTATI ELEKTRIČNO VODLJIV I VRLO OPASAN.** Makaze za živicu nastavite držati za izolirani stražnji rukohvat ili ih na siguran način položite na tlo i podalje od sebe. Prije pokušaja oslobađanja noža iz strujnog voda ili kabela isključite strujno napajanje oštećenog voda ili kabela. Zanemarivanje ovog upozorenja može rezultirati teškim ozljedama pa čak i smrću.

⚠ UPOZORENJE! Radi sprečavanja teških tjelesnih povreda držite ruku podalje od noževa. Kada se noževi kreću, nemojte pokušavati da uklanjate odrezani materijal ili da držite materijal koji je potrebno rezati. Uvjerite se da su se noževi potpuno zaustavili i da je komplet baterija izvađen prije čišćenja zaglavljenoj materijala s noževa. Nemojte zahvaćati izložene rezne noževe ili rezne bridove kada uzimate ili držite jedinicu.

⚠ UPOZORENJE! Očistite radno područje prije svake upotrebe. Uklonite sve predmete poput kabela, svjetala, žica ili traka koji se mogu zaplesti u rezni nož i stvoriti opasnost od teških tjelesnih povreda.

⚠ UPOZORENJE! Izbjegavajte prekomjerno šišanje odjednom ili kroz gusto grmlje. To može uzrokovati sputavanje i usporavanje noževa uz smanjenje učinkovitosti rezanja.

NAPOMENA! Kod rezanja novoizraslih grančica primjenjujte široke zakretne pokrete kako bi grančice direktno dospjele u rezni nož. Kod starijih grančica primjenjujte pokrete žaganja za rezanje debljih grančica. Za rezanje velikih grana preporučujemo da prvo upotrijebite ručnu žagu ili žagu za stabla bez motornog pogona.

Rezanje s gornje strane

Režite široke zakretnim pokretima. Blagim nagibom reznih noževa prema dolje u smjeru kretanja postižu se najbolji rezultati rezanja. Za bolji učinak rezanja možete upotrijebiti i nit za vođenje prema nivou živice kako je prikazano na sl. J.

Bočno rezanje

Kada šišate bočne strane živice, počnite odozdo i režite prema gore kako je prikazano na sl. K.

Štitnik za vrh

Štitnik za vrh (sl. L) upotrebljava se za zaštitu vanjskog kraja noža.

Štitnik noža

Vanjski dio noževa oblikovan je kao štitnik noža (sl. M).

Opis dijelova na sl. M pogledajte u nastavku:

M-1	Nož
M-2	Štitnik noža

⚠ UPOZORENJE! Uvijek provjerite da štitičnik noža nije oštećen ili izobličen. Zamijenite ga ako je savijen ili oštećen.

ODRŽAVANJE

⚠ UPOZORENJE! Kada obavljate radove servisiranja, upotrebljavajte samo identične zamjenske dijelove. Upotreba drugih dijelova može uzrokovati opasnost ili oštećenje proizvoda. Radi osiguranja sigurnosti i pouzdanosti, sve popravke treba obavljati kvalifikovani servisni tehničar.

⚠ UPOZORENJE! Radi izbjegavanja teških tjelesnih povreda, uvijek izvadite komplet baterija iz proizvoda prije obavljanja radova čišćenja ili održavanja.

ČIŠĆENJE

- Za uklanjanje naslaga iz svih ulaznih otvora za zrak i reznog noža upotrebljavajte mekanu četku.
- Za uklanjanje smole i drugih ljepljivih ostataka po noževima raspršite rastvor za uklanjanje smole. Nakratko uključite motor radi ravnomjerne raspodjele rastvora.
- Obrišite površinu suhom krpom.

⚠ UPOZORENJE! Kada čistite plastične dijelove, izbjegavajte upotrebljavati rastvore. Mnoge plastike mogu se oštetiti različitim vrstama komercijalnih rastvora. Za uklanjanje prljavštine, prašine, ulja, masti i sl. upotrebljavajte čiste krpe.

OŠTRENJE REZNOG NOŽA

1. Izvadite komplet baterija iz makaza za živicu.
2. AHB6500S/AHB7500S: Stegnite sklop noža u škripcu i isturpijajte izloženu reznu površinu svakog zuba noža. Uklonite što je moguće manje materijala. AHB6500/AHB7500 (s oznakom "K" i "KALJEN" na površini noža): stegnite sklop noža u škripcu i naoštrite izloženu reznu površinu dijamantskom turpijom ili brusilicom pri niskoj brzini (brzina rotacije < 2.500 o/min, posmak < 60 mm/min, mesh broj > 100). Uklonite što je moguće manje materijala.
3. Izvadite makaze za travu iz škripca i podesite nenaoštreni nož da bude izložen s druge strane.

Ponavljajte prethodno navedene postupke dok ne naoštrite sve zube noža.

NAPOMENA! Makaze za živicu nemojte upotrebljavati s tupim ili oštećenim reznim noževima. To može uzrokovati preopterećenje alata i rezultirati nezadovoljavajućim rezultatima rezanja.

NAPOMENA! Normalna metalna turpija nije primjenjiva za oštrenje specijalnog noža AHB6500/AHB7500.

NAPOMENA! Kada za oštrenje reznog noža upotrebljavate brusilicu pri niskoj brzini (brzina rotacije < 2.500 o/min), tokom postupka brušenja kontinuirano kvasite zub noža.

PODMAZIVANJE MAKAZA ZA ŽIVICU

⚠ UPOZORENJE! Nemojte obavljati podmazivanje kada su makaze za živicu priključene na bateriju ili kada rade.

Podmazivanje noža

Za najbolji rad i duži radni vijek noža, nož makaza za živicu podmazujte laganim mašinskim uljem prije i nakon svake upotrebe.

Izvadite komplet baterija i položite makaze na ravnu površinu. Nanesite ulje na gornji rub noža (sl. N).

Podmazivanje kućišta prijenosnika

Za najbolji rad i duži radni vijek, kućište prijenosnika makaza za živicu podmazujte specijalnom mašču (5 - 6 g u br. 1 i 10 - 12 g u br. 2 svaki put) nakon svakih 50 sati rada.

Posebna mast mora ispunjavati sljedeće zahtjeve:

1. Spadati u DIN51818: NLGI-2 gradaciju penetracije konusa.
2. Sastojati se od ugušćivača na bazi poliuree + sintetičkog ulja za podmazivanje.
3. Izuzetno pokretanje na niskoj temperaturi, EP, mehanički posmak, svojstva otpornosti na abraziju i oksidacijske stabilnosti.
4. Radna temperatura mora biti -40 - 180°C.

Izucite utikač baterije i dva brtvena vijka (sl. O). Kućište prijenosnika podmažite kroz otvor za ulje.

NAPOMENA! Kućište prijenosnika nemojte u cijelosti napuniti mašču.

TRANSPORT I SKLADIŠTENJE

- Prije skladištenja ili transporta makaza za živicu, na nož uvijek stavite štitičnik. Budite oprezni kako biste izbjegli oštre zube noža.
- Makaze za živicu dobro očistite prije skladištenja.
- Makaze za živicu skladištite u zatvorenom prostoru na suhom mjestu nedostupnom djeci.
- Alat držite podalje od korozivnih sredstava kao što su vrtna hemijska sredstva i soli za odmrzavanje.

⚠ UPOZORENJE! Noževi su oštri. Kada rukujete sklopom noževa, nosite neklizajuće zaštitne rukavice za teške uslove rada. Nemojte stavljati ruku ili prste između noževa ili u bilo koji položaj gdje se mogu priklještit ili posjeci. Nemojte NIKADA dodirivati noževe ili servisirati jedinicu s postavljenim kompletom baterija.

Zaštita životne sredine



Električnu opremu, iskorištenu bateriju i punjač ne odlažite u kućni otpad! Ovaj proizvod odnesite u ovlašteni centar za reciklažu i time omogućite odvojeno sakupljanje. Električne alate potrebno je vratiti u ekološki prihvatljiv pogon za reciklažu.

OTKLANJANJE PROBLEMA

PROBLEM	UZROK	RJEŠENJE
Makaze za živicu ne rade.	<ul style="list-style-type: none"> ■ Komplet baterija nije pričvršćen na makaze za živicu ili nema električnog kontakta između makaza za živicu i baterije. ■ Komplet baterija je ispražnjen. ■ Dugme za blokadu nije gurnuto u položaj "ON" prije pritiska na ručice za prebacivanje. ■ Komplet baterija je previše vruć ili makaze za živicu su previše vruće. ■ Nož se zaglavio. ■ Makaze za živicu su preopterećene. 	<ul style="list-style-type: none"> ■ Ponovo utaknite utikač baterije u makaze za živicu. ■ Ponovo umetnite komplet baterija s navedenim punjačem. ■ Prije upotrebe trimera potvrdite da je blokirano dugme odblokirano. ■ Pričekajte da se komplet baterija ili makaze za živicu ohlade na normalnu temperaturu. ■ Izvadite komplet baterija iz alata. Pažljivo uklonite zapreku, a zatim ponovo stavite bateriju i pokrenite alat. ■ Smanjite opterećenje uređaja.
Excessive vibration or noise.	<ul style="list-style-type: none"> ■ Suhi ili korodirani noževi. ■ Noževi su savijeni ili je držač noževa savijen. ■ Savijen ili oštećen nož. ■ Otpušteni vijci noža. 	<ul style="list-style-type: none"> ■ Podmažite noževe. ■ Stavite novi nož ili držač noža. Za zamjenu noža ili držača noža obratite se servisnom centru proizvođača EGO. ■ Stavite novi nož. Za zamjenu noža obratite se servisnom centru proizvođača EGO. ■ Pritegnite vijke noža. Za pritezanje, ključem okrenite vijak u smjeru kretanja kazaljki na satu.

GARANCIJA

POLITIKA GARANCIJE PROIZVOĐAČA EGO

Za sve odredbe i uslove politike garancije proizvođača EGO posjetite internetsku stranicu egopowerplus.eu.

استكشاف الأخطاء وإصلاحها

المشكلة	السبب	الحل
جزازة السياج لا تعمل.	<ul style="list-style-type: none"> مجموعة البطارية غير مركبة في جزازة السياج أو لا يوجد اتصال كهربائي بين جزازة السياج والبطارية. نقد شحن مجموعة البطارية. لم يتم نقل زر القفل إلى وضع التشغيل "ON" قبل الضغط على أذرع التشغيل. مجموعة البطارية أو جزازة السياج ساخنة للغاية. هناك انسدادات في الشفرة. هناك حمل زائد على جزازة السياج. 	<ul style="list-style-type: none"> أعد إدخال قابس البطارية في جزازة السياج. اشحن مجموعة البطارية باستخدام الشاحن المحدد. قبل استخدام الجزازة، تأكد من تحرير زر القفل. اترك مجموعة البطارية أو جزازة السياج تبرد إلى أن تهبط درجة الحرارة إلى الحرارة العادية. اخلع مجموعة البطارية من الآلة. تخلص من أي عوائق برفق، ثم أعد إدخال البطارية وأعد تشغيل الآلة. قلل الحمل عن الآلة.
هناك اهتزازات أو ضوضاء زائدة.	<ul style="list-style-type: none"> الشفرات جافة أو بها صدأ. دعامة الشفرات مثنية. أسنان الشفرة مثنية أو تالفة. مسامير الشفرة مفكوكة. 	<ul style="list-style-type: none"> قم بتزييت الشفرات. استبدل الشفرة بشفرة أو دعامة جديدة. تواصل مع مركز صيانة شركة EGO لاستبدال الشفرة أو الدعامة. استبدلها بشفرة جديدة. تواصل مع مركز صيانة شركة EGO لطلب استبدال الشفرة. اربط مسامير الشفرة جيدًا. باستخدام مفتاح الربط، أدر المسمار في اتجاه عقارب الساعة لربطه.

الضمان

سياسة ضمان EGO

تفضل زيارة الموقع الإلكتروني egopowerplus.eu للتعرف على الشروط والأحكام الكاملة الخاصة بسياسة ضمان EGO.

حماية البيئة

لا تتخلص من المعدات الكهربائية أو البطارية المستهلكة أو الشاحن في النفايات المنزلية! بل توجه بهذا المنتج إلى مركز إعادة تدوير معتمد ليكون متاحًا للفرز بشكل منفرد. يجب إعادة الآلات الكهربائية إلى مرفق إعادة تدوير صديق للبيئة.



ناقل الحركة عبر فتحة الزيت.

ملاحظة: لا تملأ صندوق ناقل الحركة حتى نهايته بالشحم.

النقل والتخزين

- احرص دائمًا على وضع الواقي فوق الشفرة قبل تخزين الآلة أو نقلها. تعامل بحذر لتتجنب الأسنان الحادة للشفرة.
- نظف الآلة جيدًا قبل تخزينها.
- يكون تخزين الآلة في مكان جاف لا يمكن الوصول إليه من قبل الأطفال.
- احتفظ بالمنتج بعيدًا عن المواد المسببة للتآكل مثل كيماويات الحديقة وملح إذابة الجليد.

⚠ تحذير: الشفرات حادة. عند التعامل مع تجميع الشفرة، عليك ارتداء قفازات حماية متينة مانعة للانزلاق. لا تضع يديك أو أصابعك بين الشفرات أو في أي موضع قد تتعرض فيه للانضغاط أو الجرح. لا تلمس أبدًا الشفرات أو أن تقوم بصيانة الوحدة والبطارية مركبة في مكانها.

على منجلة، واشدح سطح القطع لكل سن من أسنان الشفرة. احرص على شحذ أقل قدر ممكن من الأسنان. AHB6500/AHB7500 (مع الزمر "HARDENED" على سطح الشفرة): ثبت تجميعية الشفرة في منجلة، واشدح سطح الجز المكشوف بمبرد ماسي أو مجلحة منخفضة السرعة (سرعة الدوران أعلى عن 2500 دقيقة⁻¹، وسرعة التلقين أعلى عن 60 مم/دقيقة، وعدد الفتحات يزيد عن 100). احرص على شحذ أقل قدر ممكن من الأسنان.

3. أزل جزاة السياج من المنجلة، وثبت الشفرة غير المشحودة بحيث يكون الجانب الآخر مكتشفًا. كرر الإجراءات أعلاه إلى أن يتم شحذ جميع أسنان الشفرة.

ملاحظة: لا تقم بتشغيل جزاة السياج وشفرات القطع تالفة أو غير حادة. لأن هذا قد يتسبب في حمل زائد، ويمكنك إنتاج قطع غير مرضية.

ملاحظة: غير مسموح شحذ الشفرة الخاصة AHB6500/AHB7500 بمبرد معدني عادي.

ملاحظة: عند استخدام مجلحة منخفضة السرعة (سرعة الدوران أعلى عن 2500 دقيقة⁻¹) في شحذ شفرة الجز، واصل رش الماء على أسنان الشفرة أثناء الجاح.

تزييت جزاة السياج

تحذير: لا تقم بالتزييت أثناء توصيل جزاة السياج بالبطارية أو تشغيلها.

تزييت الشفرة

لتحقيق أفضل أداء وأطول عمر لشفرة جزاة السياج، قم بتزييتها بزيت آلات خفيف القوام قبل كل استخدام وبعده.

اخلع مجموعة البطارية، وضع الجزاة على سطح مستوي. ضع الزيت على طول حافة الشفرة العلوية (الشكل N).

تشحيم صندوق ناقل الحركة

لتحقيق أفضل تشغيل وأطول عمر للآلة، قم بتشحيم صندوق ناقل حركة جزاة السياج بشحم خاص (5-6 جم في رقم 1، و10-12 جم في رقم 2 في كل مرة) بعد كل 50 ساعة تشغيل.

يجب أن يلي الشحم الخاص المتطلبات التالية.

1. أن ينتمي لدرجة الإختراق المخروطي DIN51818: NLGI-2.
2. مكون من مغلطات القوام القائمة على البولي يوريا + زيت تزييت تخليقي
3. بدء التشغيل المثالي في درجات الحرارة المنخفضة، والضغط الفائق، والجزء الميكانيكي، والمقاومة أثناء الكشط، وخصائص الثبات التأكسدية.
4. يجب أن تكون درجة حرارة التشغيل ما بين 40-180 درجة مئوية.

اخلع قابس البطارية ومسماري القفل (الشكل O). قم بتشحيم صندوق

الجز العلوي

تحرك بحركة كسح عريضة. ولتحقيق أفضل نتائج الجز، قم بإمالة شفرات الجز لأسفل قليلاً في اتجاه الحركة. ولتتاج جز أفضل، يمكنك أيضاً استخدام الخيط في توجيه مستوى السياج على النحو الموضح في الشكل L.

الجز الجانبي

عند جز جوانب السياج، ابدأ من الجانب السفلي وجز لأعلى على النحو الموضح في الشكل K.

واقى قمة الجزاة

يستخدم واقى قمة الجزاة (الشكل L) في حماية الحافة الخارجية للشفرة.

واقى الشفرة

الجزء الخارجي من الشفرات له شكل واقيات الشفرة (الشكل M).

الشكل M انظر أذناه للتعرف على شرح الأجزاء:

M-1	الشفرة
M-2	واقى الشفرة

تحذير: احرص دائماً على التأكد من عدم تلف واقى الشفرة أو تشوهه. استبدله إذا كان مثقياً أو تالفاً.

الصيانة

تحذير: استخدم فقط قطع غيار أصلية عند إجراء أعمال الصيانة. لأن استخدام أي أجزاء أخرى قد ينشأ عنه خطر أو يتسبب في تعرض المنتج للتلف. لضمان السلامة والاعتمادية، يجب تنفيذ جميع أعمال الإصلاح من قبل فني خدمة مؤهل.

تحذير: لتجنب التعرض لإصابات خطيرة، احرص دائماً على خلع مجموعة البطارية من المنتج عند تنظيفه أو إجراء أي أعمال صيانة عليه.

التنظيف

- استخدم فرشاة ناعمة أثناء إزالة العوالق عن جميع مداخل الهواء وشفرة القطع.
- لإزالة أي قطنان أو عوالق لاصقة أخرى، قم برش الشفرات بمحلول راتين. قم بتشغيل المحرك لفترة قصيرة كي يتم توزيع المحلول بالتساوي.
- امسح السطح بقطعة قماش جافة.

تحذير: تجنب استخدام المنظفات عند تنظيف الأجزاء البلاستيكية. غالبية الأجزاء البلاستيكية تكون عرضة للتلف بفعل أنواع متعددة من المنظفات السائلة المتاحة في الأسواق. استخدم قطعة قماش نظيفة لإزالة الأوساخ والأتربة والزيت والشحم وما شابههم.

شحذ شفرة القطع

1. اخلع مجموعة البطارية من جزاة السياج.
2. AHB6500S/AHB7500S: ثبت تجميعية الشفرة

التشغيل

تحذير: لا تسمح لاعتيادك على تشغيل هذا المنتج أن يجعلك مستهينًا عند التعامل معه. ولا تنس أن الاستهتار لجزء من الثانية كافٍ للتسبب في حدوث إصابات خطيرة.

تحذير: ارتد بشكل دائم أدوات حماية العينين بالإضافة إلى دروع جانبية وأدوات حماية السمع. قد ينجم عن عدم الامتثال لذلك دخول أتربة في عينيك، واحتمالية وقوع إصابات خطيرة.

تحذير: لمنع بدء التشغيل غير المقصود، والذي قد يؤدي إلى وقوع إصابات شخصية خطيرة، احرص دائمًا على خلع مجموعة البطارية من الآلة عند تجميع الأجزاء، أو عمل التعديلات، أو التنظيف، أو عند عدم الاستخدام.

تحذير: لا تستخدم أي مرفقات أو ملحقات سوى تلك الموصى بها من قبل شركة EGO™. لأن استخدام مرفقات أو ملحقات غير موصى بها قد يؤدي إلى وقوع إصابات شخصية خطيرة.

قبل كل استخدام، فحص المنتج بأكمله بحثًا عن الأجزاء التالفة أو المفقودة أو المكسورة، مثل المسامير الملولبة والصواميل والمسامير والأغطية وما شابه. اربط جميع عناصر التثبيت والأغطية بإحكام، ولا تقم بتشغيل هذا المنتج إلا بعد استبدال جميع الأجزاء المفقودة أو التالفة.

يمكن استخدام هذا المنتج تحت الأمطار.

تركيب/خلع مجموعة البطارية

لا تستخدم الآلة إلا مع مجموعات البطارية والشواحن المدرجة في الشكل A.

اشحن البطارية قبل الاستخدام لأول مرة

للتثبيت (الأشكال B و C و D)

بعد محاذاة الشعار ▲ الموجود بكل من القابس وجزارة السياج، أدخل القابس في الجزارة إلى أن تختفي السدادة الخضراء بالكامل في المقبس.

ركب سلك البطارية في الخطاف على شكل "U".

للخلع (الشكل E)

حرر سلك البطارية من الخطاف على شكل "U"، واسحب القابس للخارج من جزارة السياج.

بدء تشغيل/إيقاف جزارة السياج

قبل التشغيل، اطلع الذراع وأسك الجزارة بكلتا يديك، بحيث تكون إحدى اليدين على المقبض الخلفي والأخرى على المقبض الأمامي. وبعد ذلك، تحقق من وظيفتك مرتين وفي الوضعية الصحيحة مع وجود مسافة ملائمة للجزر.

تحذير: احرص على إبقاء يديك دائمًا على مقابض جزارة السياج. لا تقم أبدًا بإمسك الحشائش بإحدى يديك، وتشغيل جزارة السياج باليد الأخرى. لأن عدم الانتباه لهذا التحذير قد يؤدي إلى وقوع إصابات خطيرة.

تحذير: عند إيقاف جزارة السياج، انقل زر القفل إلى وضع الإيقاف "OFF" قبل خلع مجموعة البطارية. لأن عدم الالتزام بهذا التحذير قد يتسبب في وقوع إصابات خطيرة.

بدء التشغيل

انقل زر القفل إلى وضع التشغيل "ON" (الشكل F)، ثم اضغط على ذراع التشغيل الخلفي. أثناء الضغط على ذراع التشغيل الخلفي، واصل الضغط على ذراع التشغيل الأمامي لبدء التشغيل. الشكل F انظر أدناه للتعرف على شرح الأجزاء:

F-1	زر القفل
F-2	ذراع التشغيل الخلفي

للإيقاف

حرر أحد ذراعي التشغيل لإيقاف الآلة، وانقل زر القفل إلى وضع الإيقاف "OFF" لمنع بدء التشغيل غير المقصود.

ملاحظة: يجب الضغط على كلا الذراعين بجزارة السياج لبدء التشغيل.

الإمسك بجزارة السياج

بينما الشفرة متجهة بعيدًا عنك، أمسك الجزارة بكلتا يديك، مع الإمسك بإحكام في المقبض الأمامي والمقبض الخلفي. هناك ثلاثة اتجاهات إمساك تتناسب أوضاع الجزر المختلفة (الأشكال G و H و I).

استخدام جزارة السياج

تحذير: إذا انحشرت الشفرة في سلك أو خط كهربائي، لا تلمس الشفرة! فقد تصبح موصولة بالتيار الكهربائي وتكون خطيرة للغاية. واصل الإمسك بالآلة باستخدام المقبض الخلفي المعزول أو ضعها على الأرض بعيدًا عنك بطريقة آمنة. افصل التيار عن الخط أو السلك الكهربائي قبل محاولة تحرير الشفرة من السلك أو الكابل. لأن عدم الانتباه لهذا التحذير قد يؤدي إلى وقوع إصابات شخصية خطيرة أو احتمالية الوفاة.

تحذير: لمنع وقوع إصابات شخصية خطيرة، أبق يديك بعيدًا عن الشفرات. لا تحاول إزالة المواد المقطوعة أو أن تمسك بالمواد المراد قطعها أثناء حركة الشفرات. تأكد من توقف الشفرات بشكل كامل وخلع مجموعة البطارية قبل إزالة الانسدادات من الشفرات. لا تمسك شفرات القطع أو حواف القطع المكتشفة أثناء التقاط الآلة من الأرض أو إمساكها.

تحذير: نظف منطقة الجرّ قبل كل استخدام للآلة. أزل جميع الأغراض، مثل الأسلاك الكهربائية أو المصابيح أو الأسلاك العائدية أو السياج، والتي قد تتحسر في شفرة القطع وتتسبب في خطر التعرض لإصابة شخصية خطيرة.

تحذير: تجنب الجرّ بشكل زائد عن الحد في كل مرة أو استخدام الآلة في منطقة كثيفة الشجيرات. لأن هذا قد يتسبب في انثناء الشفرات أو إبطائها، وهو ما يقلل من كفاءة القطع.

ملاحظة: بالنسبة للبراعم الجديدة، فإن حركة الكسح العريضة ملائمة لسيقان النباتات التي تدخل بشكل مباشر في شفرة القطع. بالنسبة للبراعم الأكبر عمرًا، فإن حركة المنشار تكون جيدة في جزر السيقان ذات السمك الأكبر. نوصي باستخدام منشار يدوي غير عامل بالبطاقة أو منشار تقليم في جزر السيقان الأكبر أو لا.

الاهتزاز a_n	المقبض الخلفي	2.872 م/ثانية ²	3.2 م/ثانية ²
	المقبض الأمامي	1.5=K م/ثانية ²	3.9 م/ثانية ²
		3.536 م/ثانية ²	1.5=K م/ثانية ²

- القيمة الكلية للاهتزاز الموضحة تم قياسها وفقاً لطريقة اختبار قياسية وقد تستخدم لمقارنة أداة بأخرى؛
- كما يمكن استخدام القيمة الكلية للاهتزاز الموضحة في التقييم التمهيدي للتعرض.

ملاحظة: قد تختلف انبعاثات الاهتزاز أثناء الاستخدام الفعلي للآلة العاملة بالطاقة عن القيمة المعلنة التي يتم استخدام الآلة فيها؛ ولحماية مشغل الآلة، ينبغي على المستخدم ارتداء قفازات وواقيات للأذن في ظروف الاستخدام الفعلية.

قائمة المحتويات

اسم القطعة	الكمية
جرّازة السياج	1
الواقي	1
دليل التشغيل	1

الوصف

تعرف على جرّازة السياج (الشكل A)

- واقي قمة الجرّازة
- الشفرة
- واقي الشفرة
- ذراع التشغيل الأمامي
- المقبض الأمامي
- زر القفل
- ذراع التشغيل الخلفي
- المقبض الخلفي
- خطاف على شكل "U"
- مقيس
- واقي اليد
- الواقي

تحذير: يتم توريد هذا المنتج مكتمل التجميع. يجب ألا يتم أبداً خلع واقي اليد أثناء الاستخدام. بمجرد تعرضه للتلف، يجب أن يتم استبداله على الفور بواسطة فني صيانة متخصص.

تحذير: كي تتمكن من استخدام هذا المنتج بشكل آمن، لا بد أن تفهم المعلومات الموجودة على الآلة وفي دليل التشغيل هذا، وكذا معرفة المهمة التي توتي القيام بها. قبل استخدام هذا المنتج، اعدت على التعامل مع جميع خصائص التشغيل وقواعد السلامة.

- لا تقم أبداً بإزالة أجهزة الأمان أو أن تعبت فيها. تحقق بانتظام من التشغيل الملائم لها. لا تفعل أبداً أي شيء قد يتداخل مع الوظيفة المحددة لجهاز الأمان أو يقلل من مستوى الحماية المقدم من جهاز الأمان.
- افحص مسامير تثبيت الشفرة والمحرك بانتظام للتأكد من ربطها كما ينبغي. وكذا، افحص الشفرة بعينيك بحثاً عن أي علامات للتلف (على سبيل المثال، وجود انثناء أو تشقق أو تآكل). يكون استبدال الشفرة بأخرى من شفرات شركة EGOTM الأصلية فقط.
- استبدل الشفرة إذا كانت مثننية أو بها تشققات. لأن الشفرة غير المتوازنة تتسبب في اهتزازات قد تؤدي لإتلاف وحدة إدارة المحرك أو وقوع إصابات شخصية.
- إذا بدأت الآلة في الاهتزاز بشكل غير طبيعي، أوقف المحرك على الفور وافحصه بحثاً عن السبب.
- يجب استخدام الجرّازة في قطع السيقان التي يقل سمكها عن (33 م).
- لا تغسل المنتج بخرطوم الماء؛ وتجنب وصول الماء إلى المحرك والتوصيلات الكهربائية.
- اتبع تعليمات التحذير وتغيير الملحقات.
- احتفظ بالمقايس جافة، نظيفة، خالية من الزيوت والشحوم.
- احفظ هذه التعليمات. راجعها باستمرار واستخدمها لتوجيه الآخرين عند استخدام هذه الآلة. إذا قمت باقراض هذه الآلة لشخص آخر، أرفق معها هذه التعليمات لمنع سوء استخدام المنتج والإصابات المحتملة.

احفظ هذه التعليمات!

المواصفات

الجهد الكهربائي	56 فولت ---	56 فولت ---
سرعة الشفرة	1800/دقيقة	1800/دقيقة
طول الشفرة	75 سم	65 سم
سعة القطع	31 مم	31 مم
وزن الآلة	4.2 كجم	4.1 كجم
درجة حرارة التشغيل الموصى بها	0 - 40 درجة مئوية	0 - 40 درجة مئوية
درجة حرارة التخزين الموصى بها	-20 - 70 درجة مئوية	-20 - 70 درجة مئوية
مستوى قوة الصوت المُقدَّر L_{WA}	95.4 ديسيبل (A)	90.1 ديسيبل (A)
	1.52=K ديسيبل (A)	2.9=K ديسيبل (A)
مستوى ضغط الصوت عند أذن مشغل الآلة L_{PA}	83.9 ديسيبل (A)	80.1 ديسيبل (A)
	2.5=K ديسيبل (A)	3=K ديسيبل (A)
مستوى قوة الصوت المضمون L_{WA} (وفقاً للمعيار 2000/14/EC)	97 ديسيبل (A)	93 ديسيبل (A)

- لا تقم بتعرض مجموعة البطارية أو الآلة للحريق أو درجات الحرارة الزائدة، التعرض لدرجات الحرارة الأعلى من 100 درجة مئوية قد يؤدي لحادث انفجار.
- **الصيانة**
- ينبغي إجراء الصيانة على الآلة بواسطة فني إصلاح متخصص باستخدام قطع غيار أصلية مطابقة فقط. فهذا يضمن المحافظة على سلامة الآلة.
- لا تقم بصيانة مجموعات البطارية التالفة بأي حال من الأحوال. بل ينبغي أن تكون صيانة مجموعات البطارية من خلال الشركة الصانعة أو مقدمي الخدمة المعتمدين فقط.
- **تحذيرات السلامة الخاصة بجزازة السياج**
- اجعل جميع أجزاء الجسم بعيدة عن شفرة القاطع. لا تقم بإزالة المواد المقطوعة أو تمسك بالمواد المراد قطعها أثناء حركة الشفرات. احرص على فصل التيار عن الآلة عند إزالة المواد المنحشرة. لحظة من عدم الانتباه أثناء تشغيل جزازة السياج قد تؤدي إلى تعرض الأشخاص لإصابات خطيرة.
- احمل جزازة السياج من المقبض بينما شفرة القاطع متوقفة. عند نقل أو تخزين جزازة السياج، احرص دائماً على وضع غطاء أدوات القطع بالآلة. التعامل الصحيح مع جزازة السياج سيقلل من تعرض الأشخاص للإصابة بفعل شفرات القاطع.
- أمسك بالآلة العاملة بالطاقة من أسطح الإمساك المعزولة فقط، لأن شفرة القاطع قد تلحق بأسلاك مخرية. شفرات القاطع التي تلامس سلكاً "يمر به تيار" قد تجعل الأجزاء المعدنية من الآلة العاملة بالطاقة "يمر بها تيار"، وهو ما قد يتسبب في تعرض المستخدم لصدمة كهربائية.
- احتفظ بسلك البطارية بعيداً عن منطقة القطع. قد يصبح السلك مخرقاً أثناء التشغيل في الشجيرات، ومن ثم قد يتعرض للقطع بواسطة الشفرة دون قصد.
- افحص السياج بحثاً عن أي أشياء غريبة قبل التشغيل، مثل أسلاك السياج.
- لا تستخدم جزازة السياج إلا بعد التأكد من تركيب الوافي بشكل ملائم. لأن استخدام الجزازة بدون الوافي الملائم قد يؤدي إلى وقوع إصابات شخصية خطيرة.
- استخدم كلتا يديك أثناء تشغيل جزازة السياج. لأن استخدام يد واحدة قد يُفقد السيطرة على الآلة، وهو ما قد يؤدي لوقوع إصابات شخصية خطيرة.
- **تعليمات سلامة هامة**
- لا تشحن مجموعة البطارية في المطر أو في الأماكن الرطبة.
- تجنب إزالة مجموعة البطارية من الجهاز قبل التخلص منه.
- لا تمسك شفرات القطع أو حواف القطع المكشوفة أثناء التقاط جزازة السياج من الأرض أو إمساكها.
- لا تستخدم المنتج وأنت واقف على سلم أو سطح أو شجرة أو أي مكان آخر غير ثابت. يتيح توافر موطن قدم ثابت في ظل وجود سطح صلب تحكماً أفضل في حزازة السياج في الظروف غير المتوقعة.
- لا تسمح أبداً للأطفال بتشغيل جزازة السياج.
- **خزن الآلات العاملة بالطاقة غير المستخدمة بعيداً عن متناول أيدي الأطفال ولا تسمح للأشخاص غير المعتمدين على استخدام الآلات العاملة بالطاقة أو على هذه التعليمات بتشغيل الآلة.**
- الآلات العاملة بالطاقة تكون خطيرة في أيدي الأشخاص غير المدربين.
- **حافظ على الآلات العاملة بالطاقة والملحقات. تحقق من عدم محاذة الأجزاء المتحركة أو ربطها، أو وجود كسور في الأجزاء، أو أي حالة أخرى قد تؤثر على عمل الآلة. إذا كان هناك تلف، فقم بإصلاح الآلة العاملة بالطاقة قبل استخدامها.**
- العديد من الحوادث يكون سببها الآلات والملحقات التي لم تتم صيانتها.
- احتفظ بالأدوات القاطعة حادة ونظيفة. الأدوات القاطعة التي تتم صيانتها كما ينبغي للاحتفاظ بحوافها القاطعة حادة تكون أقل عرضة للانحناء وسهل التحكم فيها.
- استخدم الآلة والملحقات واللمم وما شابههم وفقاً لهذه التعليمات، مع الأخذ في الاعتبار بظروف العمل والأعمال التي سيتم تنفيذها. قد يؤدي استخدام الآلة في أعمال غير تلك المخصصة لها إلى حوادث خطيرة.
- احتفظ بالمقابض وأسطح الإمساك جافة ونظيفة وخالية من الزيوت والشحوم. لأن المقابض وأسطح الإمساك المنزقة لا تمنحك القدرة على التعامل والتحكم الأمين في الآلة في المواقف غير المتوقعة.
- **استخدام الآلة العاملة بالبطارية والعناية بها**
- لا تُعد شحن الآلة إلا باستخدام الشاحن المحدد بواسطة الشركة الصانعة. فالشاحن الملائم نوع من مجموعات البطارية قد يتسبب في نشوب حريق إذا تم استخدامه مع مجموعة بطارية أخرى.
- استخدم الآلات العاملة بالطاقة مع مجموعات البطاريات المخصصة لها فقط. لأن استخدام أي مجموعات بطارية أخرى قد يؤدي إلى التعرض لإصابات أو نشوب حريق.
- عند عدم استخدام مجموعة البطارية، احتفظ بها بعيداً عن الأغراض المعدنية الأخرى مثل مشابك الأوراق أو العملات المعدنية أو المفاتيح أو المسامير أو البراغي أو الأغراض المعدنية الصغيرة الأخرى التي قد تتسبب في عمل دائرة قصر (فقل للدائرة) بين أقطاب البطارية. عمل دائرة قصر (فقل للدائرة) بين أطراف البطارية قد يتسبب في حروق أو نشوب حريق.
- في حالات التعامل السيء، قد يحدث ارتشاح للسوائل من البطارية؛ لا تلامسه. إذا حدثت ملامسة بشكل عرضي، فاغسلها بالماء. إذا لامس السائل العينين، فاطلب المساعدة الطبية على الفور. السائل المرتشح من البطارية قد يتسبب في حدوث احتياج في الجلد أو حروق.
- اتبع تعليمات الشحن ولا تشحن مجموعة البطارية أو الآلة في نطاق درجة حرارة خارج النطاق المحدد في التعليمات. قد يؤدي الشحن غير المصوب أو في درجات حرارة خارج النطاق المسموح به إلى تلف البطارية وخطر نشوب حريق.
- لا تستخدم مجموعة البطارية أو الآلة إذا كانتا تالفتين أو تم إدخال تعديلات عليهما. لأن البطاريات التالفة أو التي تم تعديلها قد تعمل بشكل غير متوقع، وهو ما قد يؤدي لنشوب حريق أو حدوث انفجار أو خطر التعرض لإصابة.

السلامة الشخصية

بالآلة العاملة بالبطاقة

- **تحذير:** اقرأ جميع تحذيرات السلامة والتعليمات والرسوم التوضيحية والموصفات المرفقة مع هذه الآلة. عدم اتباع جميع التعليمات الواردة أثناء قد يؤدي إلى حدوث صدمة كهربائية أو نشوب حريق أو التعرض للإصابة، أهدأها أو جميعها.
- **احتفظ بجميع التحذيرات والتعليمات للرجوع إليها في المستقبل.** يشير مصطلح "آلة عاملة بالبطاقة" في التحذيرات إلى الآلة العاملة بالبطاقة (الموصولة بسلك تيار) أو الآلة العاملة بالبطارية (غير الموصولة بسلك تيار).
- **سلامة منطقة العمل**
 - **حافظ على منطقة العمل نظيفة ومضاءة جيداً.** حيث عادة ما تنتسب المناطق المظلمة أو التي بها ركام إلى وقوع حوادث.
 - **لا تقم بتشغيل الآلات العاملة بالبطاقة في أجواء قابلة للانفجار، على سبيل المثال في وجود سوائل أو غازات أو غبار قابلة للاشتعال.** فقد تنتسب الآلات العاملة بالبطاقة في صدور شرارة، والتي قد تنتسب في اشتعال الغبار أو الأبخرة القابلة للاشتعال.
 - **احتفظ بالأطفال والمشاهدين بعيداً عن موقع استعمال الآلة العاملة بالبطاقة.** حيث أن الإلهاءات قد تجعلك تفقد السيطرة على الآلة.
- **السلامة الكهربائية**
 - **ينبغي أن يتوافق قايس الآلة العاملة بالبطاقة مع مقبس التيار.** لا يجب إدخال تعديلات على القايس بأي حال من الأحوال، لا تستخدم أي قوابس مهبانية مع الآلات العاملة بالبطاقة المؤرّضة. ستؤدي القوابس غير المَعْلَمَة والمقايس المتوافقة إلى الحد من خطر حدوث صدمة كهربائية.
 - **تجنب ملامسة الجسم لأسطح مؤرّضة مثل الأتابيب والمشعاع والموافق والنّلاجات.** هناك خطر متزايد لحدوث صدمة كهربائية إذا كان جسمك مؤرّضاً.
 - **لا تقم بتعرض الآلات العاملة بالبطاقة للمطر أو الأجواء الرطبة.** حيث سيؤدي الماء الذي يدخل إلى الآلة العاملة بالبطاقة إلى زيادة خطر حدوث صدمة كهربائية.
 - **لا تعبت بسلك التيار الموجود في مجموعة البطارية.** لا تقم أبداً باستخدام سلك التيار لحمل الآلة العاملة بالبطاقة أو سحبها أو فصلها عن التيار. احتفظ بالسلك بعيداً عن مصادر الحرارة أو الزيت أو الحواف الحادة أو الأجزاء المتحركة. تؤدي أسلاك التيار التالفة أو المتشابكة إلى زيادة خطر حدوث صدمة كهربائية.
 - **عند تشغيل آلة عاملة بالبطاقة في مكان خارجي مفتوح، استخدم سلك تمديد ملائم للاستخدام الخارجي.** استخدم سلك ملائم للاستخدام الخارجي يحد من خطر حدوث صدمة كهربائية.
 - **إذا كان لابد من تشغيل الآلة في مكان رطب، فاستخدم مصدر تيار محمي يقاطع تيار متبقي (RCD).** يؤدي استخدام قاطع التيار المتبقي إلى الحد من خطر حدوث صدمة كهربائية.
- **ابق منتبهاً، وانتبه جيداً لما تفعله، وكن عقلياً عند تشغيل آلة تعمل بالبطاقة.** لا تستخدم أداة آلة بالبطاقة وأنت مجهود أو تمت تأثير المخدرات أو الكحوليات أو الأدوية. قد تؤدي لحظة من عدم الانتباه أثناء تشغيل الآلات العاملة بالبطاقة إلى حدوث إصابات شخصية خطيرة.
- **استعن بمعدات الحماية الشخصية.** واربد دائماً أدوات حماية للعينين. سيؤدي استخدام أدوات الحماية كفتاح الغبار أو أذنية السلامة المضادة للتلوث لائق أو القبعية الصلبة أو أدوات حماية السمع في ظروف مناسبة إلى الحماية من الإصابات الشخصية.
- **امنع بدء تشغيل الآلة غير المتعمد.** احرص على أن يكون مفتاح الطاقة في وضع الإيقاف قبل توصيل الآلة بمصدر التيار أو مجموعة البطاريات، أو التقاط الآلة أو حملها. قد ينتسب حمل الآلات العاملة بالبطاقة وإصبعك على مفتاح التشغيل أو شحنها ومفتاح التشغيل على وضع التشغيل في وقوع حوادث.
- **أزل أي مفتاح تعديل أو مفتاح ربط قبل تشغيل الآلة العاملة بالبطاقة.** قد يؤدي ترك مفتاح ربط أو مفتاح عادي مركباً على جزء دوار بالآلة العاملة بالبطاقة إلى وقوع إصابات شخصية.
- **لا تقف في مكان تُضطر لمد يديك بعيداً.** قف وأنت ثابت ومتوازن في جميع الأوقات. وهو ما يسمح بتحكم أفضل في الآلة العاملة بالبطاقة في الظروف غير المتوقعة.
- **ارتد الملابس الملائمة.** لا ترتد ملابس أو مجوهرات غير ثابتة. احتفظ بشعرك وملابسك بعيداً عن الأجزاء المتحركة. قد تعلق الملابس الضفائضة أو المجوهرات أو الشعر الطويل في الأجزاء المتحركة.
- **إذا تم تقديم أجهزة خاصة بتوصيل أدوات استخراج وجمع الغبار، فأحرص على توصيلها واستخدامها على النحو اللازم.** قد يؤدي استخدام جمع الغبار إلى الحد من المخاطر المرتبطة به.
- **لا تدع الخبرة المكتسبة من الاستخدام المتكرر للآلات يجعلك تتعامل دون الانتباه اللازم وتتجاهل مبادئ السلامة المتعلقة بالآلة.** فقد ينتسب أي إجراء غير مدروس في إصابات خطيرة في جزء من الثانية.
- **استخدام الآلة العاملة بالبطاقة والعناية بها**
 - **لا تجبر الآلة العاملة بالبطاقة على أعمال تفوق قدرتها.** استخدم الآلة العاملة بالبطاقة الملائمة لأعمالك. ستقوم الآلة العاملة بالبطاقة الملائمة بأداء أعمالك بشكل أفضل وأكثر أماناً بالمعدل الذي أعدت له.
 - **لا تستخدم الآلة العاملة بالبطاقة إذا كان مفتاح التشغيل لا يمكن نقله إلى وضع التشغيل أو وضع الإيقاف.** أي آلة عاملة بالبطاقة لا يمكن التحكم فيها بمفتاح التشغيل تعتبر خطيرة وينبغي إصلاحها.
 - **افصل القايس من مصدر التيار و/أو اخلع مجموعة البطاريات** -إذا كانت قابلة للخلع- من الآلة العاملة بالبطاقة قبل إجراء أي تعديلات أو تغيير ملححات أو تخزين الآلات العاملة بالبطاقة. إجراءات السلامة الوقائية هذه تحد من خطر تشغيل الآلة العاملة بالبطاقة بشكل خاطئ.

اقرأ جميع التعليمات!



تحذير: لضمان السلامة والاعتمادية، يجب تنفيذ جميع أعمال الإصلاح واستبدال الأجزاء من قبل فني خدمة مؤهل.

رموز السلامة

الغرض من رموز السلامة هو جذب انتباهك إلى المخاطر المحتملة. رموز السلامة والشروح المصاحبة لها تستحق اهتمامك وفهمك الدقيق. تحذيرات كل رمز، بنفسها، لا تمنع وقوع أي خطر. التعليمات والتحذيرات التي تمنحك إياها لا تعد بديلاً عن تطبيق الإجراءات الملائمة لمنع وقوع الحوادث.

تحذير: احرص على قراءة وفهم جميع تعليمات السلامة في دليل التشغيل هذا، بما في ذلك جميع رموز تنبيهات السلامة، مثل "خطر"، و"تحذير"، و"تنبيه"، قبل استخدام هذه الآلة. عدم اتباع جميع التعليمات الواردة أدناه قد يؤدي إلى حدوث صدمة كهربائية أو شوب حرق أو التعرض للإصابة الشخصية، أحدها أو جميعها.

معنى الرمز

رمز تنبيه السلامة: يشير إلى خطر أو تحذير، أو تنبيه، وقد يتم استخدامه بشكل متزامن مع الرموز أو الصور الكتابية الأخرى.

تحذير: قد يؤدي تشغيل أي آلة عاملة بالطاقة إلى دخول أي أشياء غريبة في عينيك، وهو ما قد يؤدي إلى إلحاق أضرار خطيرة بالعين. قبل بدء تشغيل الآلة العاملة بالطاقة، احرص دائماً على ارتداء واقبات العينين أو نظارات حماية العينين ذات دروع جانبية، ودرع واقي لكامل الوجه عند اللزوم. نوصي بارتداء قناع السلامة واسع الرؤية لاستخدامه فوق نظارات العين أو نظارات السلامة العادية ذات الدروع الجانبية.

تعليمات السلامة

هذه الصفحة تصف وتشرح رموز السلامة التي قد تظهر على هذا المنتج. اقرأ جميع التعليمات المذكورة على الآلة وافهمها واتبعها قبل محاولة تشغيل الآلة وتشغيلها.

يشير إلى خطر محتمل للتعرض لإصابة شخصية.	تنبيه سلامة	
للحد من خطر التعرض لإصابة، ينبغي على المستخدم قراءة دليل التشغيل.	اقرأ دليل التشغيل	
لا تقم أبداً بتشغيل أتك العاملة بالطاقة باستخدام بد واحدة. لأن فقد التحكم في الآلة قد يؤدي لوقوع إصابات خطيرة أو مميتة. للحد من خطر التعرض لجروح، ابق يدك وقدميك بعيداً عن آلة القطع. لا تقم أبداً بلمس أي آلة قطع وهي تتحرك بيدك. أو أي جزء آخر من جسمك.	ابق يدك وقدميك بعيداً عن آلة القطع	
ارتد دائماً نظارات الحماية المزودة بواقبات على الجانبين، وبنبغي ارتداء واقي للكامل الوجه أثناء تشغيل هذا المنتج.	ارتد أدوات حماية العينين	
مستوى قوة الصوت المضمن. انبعاثات الضوضاء في البيئة وفقاً لتوجيه الاتحاد الأوروبي.	الضوضاء	
هذا المنتج متوافق مع توجيهات شهادة الجودة الأوروبية (CE) المعمول بها.	شهادة الجودة الأوروبية CE	
هذا المنتج متوافق مع تشريعات المملكة المتحدة المعمول بها.	تتبع المطابقة UKCA	
لا يجب التخلص من الأجهزة الكهربائية المستهلكة في النفايات المنزلية. توجه بالجهاز إلى مركز إعادة تدوير معتمد.	نفايات الكهربائية والإلكترونية (WEEE)	
طول الشفرة	طول الشفرة	
الحد الأقصى لسعة القطع للشفرة	سعة القطع	
الحماية ضد نفثات الماء	رمز حماية المدخل IP	IPX5
الجهد الكهربائي	فولت	V
النوع أو خصائص التيار	تيار مستمر	==
لفة في الدقيقة	في الدقيقة	nim/...
الطول أو الحجم	مليمتر	mm
الطول أو الحجم	سنتمتر	mc
سرعة الدوران، بدون حمل	السرعة بدون حمل	0n

تحذيرات السلامة العامة المتعلقة

איתור וטיפול בבעיות

פּתרון	סיבה	בעיה
<ul style="list-style-type: none"> ▪ החדירו שוב את תקע הסוללה אל גוזם הגדרות. ▪ הטעינו את מארז הסוללה עם המטען הנכון. ▪ לפני השימוש בגוזם, וודאו שכפתור הנעילה שלו פתוח. ▪ אפשרו למארז הסוללה או למכסחה להתקרר עד לטמפרטורה נורמלית. ▪ הסירו את מארז הסוללה מן המכשיר. הסירו את המחסום הזהירות ולאחר מכן החדירו מחדש את הסוללה והפעילו מחדש את המכשיר. ▪ הפחיתו את העומס על המכשיר. 	<ul style="list-style-type: none"> ▪ מארז הסוללה איננו מחובר אל גוזם הגדרות או שאין שום חיבור חשמלי בין גוזם הגדרות והסוללה. ▪ קיבולת מארז הסוללה ריקה. ▪ כפתור הנעילה איננו נמצא במצב "פועל" לפני לחיצה על דוושות המתג. ▪ מארז הסוללה או גוזם הגדרות חמים מדי. ▪ הלהב תקוע. ▪ ישנו עומס יתר של גוזם הגדרות. 	<p>גוזם הגדרות איננו עובד</p>
<ul style="list-style-type: none"> ▪ שמנו את הלהבים. ▪ החליפו על להב או תומך חדשים. צרו קשר עם מרכז שירות EGO עבור החלפת להב או תומך. ▪ החליפו בלהב חדש. צרו קשר עם מרכז השירות של EGO עבור החלפת להב. ▪ הדקו את בריחי הלהב. בעזרת מפתח בריגים, סובבות את הבורג בכיוון השעון להידוק. 	<ul style="list-style-type: none"> ▪ להבים יבשים או עם קורוזיה. ▪ הלהבים או תומכי הלהבים עקומים. ▪ שיניים עקומות או ניזוקות. ▪ בריחי להב משוחררים. 	<p>ישנו יתר רטט או רעש.</p>

אחריות

מדיניות האחריות של EGO

אנא בקרו באתר egopowerplus.eu עבור התנאים וההתניות השלמים של מדיניות האחריות של EGO.

לשמור על הסביבה

אין לזרוק ציוד חשמלי, מטעני סוללות וסוללות ביחד עם אשפה ביתית! יש לקחת מוצר זה למרכז מחזור מוסמך ולוודא שהוא זמין לאיסוף נפרד. יש להחזיר כלים חשמליים א



שימון תיבת ההילוכים

עבור הביצועים הטובים ביותר וחיים ארוכים יותר, שמנו את תיבת ההילוכים של גוזם הגדרות עם חומר סיכה מיוחד (6-5) גרם בכל פעם ו-10-12 גרם בכל פעם שנייה) לאחר כל 50 שעות הפעלה.

על חומר הסיכה המיוחד לעמוד בדרישות הבאות.

1. להיות שייך אל NLGI-2:DIN51818 דרגת חדירת חרוט.
2. להיות מורכב ממעבי פוליאוריהא + שמן סיכה סינתטי
3. טמפרטורת הפעלה מאוד נמוכה, EP, גיזום מכני, עמידות לשריטות ומאפייני יציבות חיצונית.
4. טמפרטורת פעולה בין 40 ל-180°C.

הסירו את תקע הסוללה ואת שני ברגי האיטום (תמונה O). שמנו את תיבת ההילוכים דרך חור השמן.

הודעה: אל תמלאו לגמרי את תיבת ההילוכים עם חומר סיכה.

הובלה ואחסון

- הניחו תמיד את המגן על הלהב לפני האחסון או ההובלה של גוזם הגדרות. היו זהירים והימנעו ממגע עם השיניים החדות של הלהב.
- נקו את גוזם הגדרות ביסודיות לפני אחסונו.
- אחסנו את הכלי בתוך הבית, במקום יבש אשר רחוק מהישג ידם של ילדים.
- הרחיקו מחומרים הגורמים לקורוזיה כגון כימיקלים לגינה ומלחים מסירי קרח.

⚠ אזהרה: הלהבים חדים. בעת הטיפול בחיבור הלהב, לבשו כפפות מגן מוצקות, נגד החלקה. אל תניחו את הידיים או האצבעות בין הלהבים או בכל מקום בו ישנה סכנה שהן תיחתכנה או תיתפסנה. לעולם אל תיגעו בלהב או תבצעו עבודות שירות למכשיר לפני הסרת מארז הסוללה.

▪ על מנת להרים ולהסיר פסולת נדבקת אחרת, רסו את הלהב עם ממש שרף. הפעילו את המנוע לזמן קצר על מנת להפיץ את הממש בצורה אחידה.

▪ נקו את המשטח עם מטלית יבשה.

⚠ אזהרה: הימנעו משימוש בממסים כאשר אתם מנקים חלקי פלסטיק. רוב חלקי הפלסטיק עלולים להינזק מסוגים שונים של ממסים מסחריים. השתמשו במטליות נקיות על מנת להסיר לכלוך, אבק, שמן, חומר סיכה וכו'.

חידוד הלהב החיתוך

1. הסירו את מארז הסוללה מגוזם הגדרות.

2. AHB6500S/AHB7500S: החזיקו את חיבור החיתוך במלחציים ועשו שימוש

בפצירה על מנת לשייף את משטח הלהב

החשוף של כל שן בלהב. הסירו מעט חומר

ככל שניתן. AHB6500/AHB7500 (עם "Ⓜ")

ו-"נוקשה" על משטח הלהב): החזיקו את

חיבור החיתוך במלחציים ושייפו את משטח

החיתוך החשוף בפצירת יליון או מטחנה

במהירות נמוכה (מהירות סיבוב קטנה

מ-2500 דקה¹, מהירות הזנה קטנה מ-60

מ"מ/דקה, מספר רשתות גדול מ-100) הסירו

מעט חומר ככל שניתן.

3. הסירו את גוזם הגדרות מן המלחציים וישירו

את הלהב הקהה בצד השני החשוף.

חזרו על הפעולות הקודמות עד אשר כל שני הלהב

חודדו.

הודעה: אל תפעילו את גוזם הגדרות שלכם עם להבים קהים או ניזוקים. הדבר יכול לגרום לעומס יתר ולתוצאות חיתוך בלתי מספקות.

הודעה: לא ניתן להשתמש בפצירה רגילה על מנת לחדד את הלהב המיוחד AHB6500/AHB7500.

הודעה: בעת השימוש במטחנה במהירות נמוכה (מהירות סיבוב קטנה מ-2500 דקה¹) על מנת לחדד את הלהב החיתוך, שטפו את שני הלהב ללא הרף.

שימוש גוזם הגדרות

⚠ אזהרה: אל תשמו כאשר גוזם הגדרות עדיין מחובר אל הסוללה או פועל.

שימוש הלהב

עבור הביצועים הטובים ביותר ואורך חיים ארוך יותר של הלהב, שמנו את הלהב עם שמן למכונות קלות לפני ואחרי כל שימוש.

הסירו את מארז הסוללה והניחו את המכשיר על משטח שטוח. שמנו את הקצוות של הלהב העליון (תמונה N).

⚠ אזהרה: נקו את האזור שיש לגזום לפני כל שימוש. הסירו את כל העצמים, כגון כבלים, אורות, חוטים או שרוכים אשר עלולים להיתפס בלהב החיתוך וליצור סיכון של פציעה אישית חמורה.

⚠ אזהרה: הימנעו מלגזום כמות גדולה מדי בפעם אחת או שיחים בעלי עלים רבים. הדבר עלול לגרום ללהבים להיקשר ולעבוד לאט יותר, כאשר הוא מפחית את יעילות החיתוך.

הודעה: עבור צמחים חדשים, אנו ממליצים לטאטא על מנת שהגבעולים יבואו הישר אל הלהב החיתוך. עבור צמחים ישנים יותר, תנועת ניסור מתאימה לגזום גבעולים עבים יותר. אנו ממליצים על מסור שאינו חשמלי או קוצץ על מנת לגזום את הגבעולים העבים.

חיתוך עליון

השתמשו בתנועת טאטוא רחבה. הטיה קלה כלפי מטה של להבי החיתוך בכיוון התנועה תיתן את התוצאות הטובות ביותר. לאפקט חיתוך טוב יותר, אתם יכולים להשתמש בקפיץ על מנת להנחות את רמת הגדר כמתואר בתמונה J.

חיתוך צדדי

בעת חיתוך צדדי הגדרות, החלו מן החלק התחתון וחתכו כלפי מעלה כפי שניתן לראות בתמונה K.

מגן קצה

מגן הקצה (תמונה L) משמש להגן על הצד החיצוני של הלהב.

מגן להב

הצד החיצוני של הלהבים מעוצב כמגני להב (תמונה M). ראו למטה תיאור חלקים בתמונה M:

M-1	להב
M-2	מגן להב

⚠ אזהרה: בדקו תמיד שמגן הלהב איננו ניזוק או מעוות. החליפו אותו אם כפוף או ניזוק.

תחזוקה

⚠ אזהרה: במקרה של עבודות תיקון, השתמשו רק בחלקי חילוף זהים. שימוש בחלקי חילוף אחרים עלול לגרום לסכנה או נזק למוצר. על מנת להבטיח בטיחות ואמינות, יש לבצע את כל התיקונים וההחלפות בעזרת סכנאי שירות מוסמך.

⚠ אזהרה: על מנת למנוע פציעות אישיות, הסירו תמיד את מארז הסוללה מן המוצר לפני הניקיון או ביצוע כל עבודת תחזוקה.

ניקיון

▪ השתמשו במברשת רכה על מנת להסיר פסולת מכל פתחי האוורור ומלהב החיתוך.

הפעלה/כיבוי של גוזם הגדרות

לפני ההפעלה, הסירו את המגן החזיקו את הגוזם עם שתי הידיים, יד אחת על הידית האחורית והיד השנייה על הידית הקדמית. לאחר מכן בדקו שהיציבה שלכם מאוזנת ושמרחק החיתוך מתאים.

⚠ אזהרה: החזיקו תמיד את שתי הידיים על ידיות גוזם הגדרות. לעולם אל תחזיקו שיחים עם יד אחת בעוד אתם מפעילים את גוזם הגדרות עם היד השנייה. אם תעשו זאת הדבר עלול לגרום לפציעה חמורה.

⚠ אזהרה: בעת הכיבוי של גוזם הגדרות, העבירו את כפתור הנעילה אל מצב „כבוי” לפני הסרת מארז הסוללה. אם לא תעשו זאת הדבר עלול לגרום לפציעה חמורה.

על מנת להפעיל

העבירו את כפתור הנעילה למצב «פועל» (תמונה F) ולאחר מכן לחצו על דוושת המתג האחורית. כאשר דוושת המתג האחורית לחוצה, המשיכו ללחוץ על דוושת המתג הקדמית להפעלה.

ראו למטה תיאור חלקים בתמונה F:

F-1	כפתור נעילה
F-2	דוושת מתג אחורית

על מנת לכבות

שחררו את כל אחת מדוושות המתג על מנת לכבות את המכשיר והעבירו את כפתור הנעילה למצב „כבוי” על מנת למנוע הפעלה מקרית.

הודעה: יש ללחוץ על שתי דוושות המתג על מנת להפעיל את גוזם הגדרות.

החזקת גוזם הגדרות

כאשר הלהב נמצאת הרחק ממכם, החזיקו את הגוזם עם שתי הידיים, כאשר אתם אחוזים בנפרד בידיית הקדמית ובידיית האחורית. שלושה כיווני אחיזה יכולים להתאים עבור פעולות חיתוך שונות (תמונות G ו-H-I).

השימוש בגוזם הגדרות

⚠ אזהרה: אם הלהב נתקע בחוט או כבל חשמלי, אל תגיעו בלהב! הלהב עלול להפוך ל"חיי" וישנה סכנה. המשיכו להחזיק את הגוזם בעזרת הידית האחורית המבודדת או הניחו אותו למטה ובמרחק ממכם בצורה בטוחה. נתקו את המתח מן החוט או הכבל הניזוקים לפני כל ניסיון לשחרר את הלהב מן החוט או הכבל. אם לא תעשו זאת, התוצאה עלולה פציעה אישית חמורה או אפילו מקרה מוות.

⚠ אזהרה: על מנת למנוע פציעה אישית, שימרו את הידיים הרחק מן הלהבים. אל תנסו להסיר חומר חיתוך או להחזיק חומרים לחיתוך כאשר הלהבים נעים. וודאו שהלהבים נעצרו לגמרי ושמארז הסוללה מוסר לפני ניקיון של חומרים מן הלהבים. אל תחזיקו את להבי החיתוך או את קצוות החיתוך בעת ההרמה או ההחזקה של היחידה.

⚠ אזהרה: מוצר זה נשלח כאשר הוא מורכב לגמרי. לעולם אין להסיר את מגן היד בעת השימוש. כאשר ניזוק, החליפו את מגן היד מיד על ידי שימוש בטכנאי המוסמך לכך.

⚠ אזהרה: השימוש הבטוח במוצר זה מצריך הבנה של המידע הנמצא על גבי המכשיר ובמדרוך הוראות זה, כמו גם ידע בנוגע לפרויקט אותו אתם מנסה לבצע. לפני השימוש במוצר זה, התוודע לכל מאפייני ההפעלה וחוקי הבטיחות.

הפעלה

⚠ אזהרה: אל תניחו לעובדה שאתם מכירים את המוצר להפוך אתכם לפחות זהירים. זכרו שחוסר זהירות של שבריר אחד של שנייה מספיק לגרום לפציעה אישית חמורה.

⚠ אזהרה: ענדו תמיד משקפי בטיחות עם הגנה צדדית, ביחד עם מגני שמיעה. אם לא תעשו זאת עצמים עלולים להיזרק אל תוך העיניים שלכם ועלולות להיגרם פציעות חמורות.

⚠ אזהרה: על מנת למנוע הפעלה מקרית אשר עלולה להוביל לפציעה אישית חמורה, הסירו תמיד את מארז הסוללה מן המכשיר בעת הרכבת חלקים, ביצוע התאמות, ניקיון או כאשר המכשיר איננו נמצא בשימוש.

⚠ אזהרה: אל תעשו שימוש בחיבורים או אביזרים אשר לא הומלצו על ידי EGO™. השימוש בחיבורים או אביזרים אשר לא הומלצו עלול לגרום לפציעה חמורה.

לפני כל שימוש בדקו את כל המוצר עבור חלקים ניזוקים, משוחררים או חסרים, כגון ברגים, אומים, בריחים, מכסים וכו'. הדקו בבטחה את כל האבזמים והמכסים ואל תפעילו את המוצר עד אשר חלקים חסרים או ניזוקים תוקנו או הוחלפו.

ניתן להשתמש במוצר בגשם.

התקנה/הסרה של מארז הסוללה

A השתמשו רק עם מארזי הסוללה והמטענים הרשומים באיור

הטעינו לפני השימוש הראשון.

על מנת להתקין (תמונות B ו-C ו-D)

עם לוגו **▲** מיושר בהתאמה על התקע ועל גוזם הגדרות, הכניסו את התקע אל תוך גוזם הגדרות על אשר החותם הירוק נעלם לגמרי אל תוך השקע.

הרכיבו את כבל הסוללה אל הו "U".

על מנת להסיר (תמונה E)

שחררו את כבל הסוללה מו ה"U" ומשכו את התקע מגוזם הגדרות.

95.4 dB(A) K=1.52 dB(A)	90.1 dB(A) K=2.9 dB(A)	רמת עוצמת קול נמדדת L_{WA}	
83.9 dB(A) K=2.5 dB(A)	80.1 dB(A) K=3 dB(A)	רמת לחץ קול באוזן המפעיל L_{PA}	
97 dB(A)	93 dB(A)	רמת עוצמת קול מובטחת L_{WA} (נמדדת על פי 2000/14/EC)	
$2.872 \text{ מ}^2/\text{שנייה}^2$	$3.2 \text{ מ}^2/\text{שנייה}^2$	ידית אחורית	רטט a_h
$1.5 \text{ מ}^2/\text{שנייה}^2 = K$	$1.5 \text{ מ}^2/\text{שנייה}^2 = K$	ידית קדמית	
$3.536 \text{ מ}^2/\text{שנייה}^2$	$3.9 \text{ מ}^2/\text{שנייה}^2$		

ערך הרטט הכללי המוצהר נמדד בהתאם עם שיטת בדיקה סטנדרטית ונעטן להשתמש בו על מנת להשוות ציוד אחד עם ציוד אחר;

ניתן להשתמש בערך הרטט הכללי המוצהר בהערכה ראשונית של חשיפה.

הודעה: פליטת הרטט בעת השימוש המעשי בכלי יכולה להיות שונה מן הערך המוצהר כאשר הכלי נמצא בשימוש; על מנת להגן על המפעיל, על המשתמש ללבוש כפפות ומגני אוזניים בעת השימוש למעשה.

רשימת אריזה

שם חלק	כמות
גוזם גדרות	1
מגן	1
מדריך למפעיל	1

תיאור

הכירו את גוזם הגדרות שלכם (תמונה A)

1. מגן קצה
2. להב
3. מגן להב
4. דוושית מתג קדמית
5. ידית קדמית
6. כפתור נעילה
7. דוושית מתג אחורית
8. ידית אחורית
9. U_n "
10. גומחה
11. מגן יד
12. מגן

- אל תחזיקו את להבי החיתוך החשופים או את קצוות החיתוך בעת ההרמה או ההחזקה של גוזם הגדרות.
- אין להשתמש בעת עמידה על סולם, גג, עץ או מקום לא יציב אחר. עמידה יציבה על גבי משטח מוצק מעניקה שליטה טובה יותר על גוזם הגדרות במצבים לא צפויים.
- לעולם אל תרשו לילדים להפעיל את גוזם הגדרות.
- לעולם אל תסירו או תשנו אמצעי בטיחות. בדקו באופן סדיר את פעולתם הסדירה. לעולם על תעשו משהו אשר יפריע לפונקציה המיועדת של אמצעי בטיחות או על מנת להפחית את ההגנה המסופקת על ידי אמצעי בטיחות מסויים.
- בדקו את הלהב ואת בורגי ההרכבה בתדירות קבועות על מנת שיהיו הדוקים כהלכה. כמו כן, בדקו באופן חזותי את הלהב לסימני נזק (לדוגמה, כיפופים, סדקים או סימני בלאי). החליפו את הלהב רק עם להב של EGO™.
- החליפו את הלהב אם הוא עקום או סדוק. להב לא מאזן עלול לגרום לרטט אשר עלול להזיק ליחידת המנוע או לגרום לפגיעה אישית.
- אם הציוד מתחיל לרטוט באופן שאינו נורמלי, עצרו את המנוע וחפשו מיד את הסיבה לכך.
- יש להשתמש בגוזם על מנת לחתוך גבעולים אשר דקים מקוטרו של 33 מ"מ.
- נא לא לשטוף את המכשיר בעזרת צינור; מנעו ממים להיכנס אל המנוע ואל חיבורי החשמל.
- עקבו אחר ההוראות בנוגע לשימון ואביזרי החלפה.
- שימרו על הידיות יבשות, נקיות וללא שמן או חומרי סיכה.
- שימרו על הוראות אלו. עיינו בהם בתדירות גבוהה והשתמשו בהם על מנת להדריך אחרים אשר עלולים להשתמש במכשיר. אם אתם מלווים את הכלי למישהו אחר, תנו לו גם את ההוראות הללו על מנת למנוע שימוש לא נכון של המכשיר או פציעות אפשריות.

שמירו על הוראות אלו!

מפרטים

וולטז'	56 V	56 V
מהירות להב	1800 /דקה	1800 /דקה
אורך הלהב	75 ס"מ	65 ס"מ
יכולת חיתוך	31 מ"מ	31 מ"מ
משקל המכשיר	4.2 ק"ג	4.1 ק"ג
טמפרטורת הפעלה מומלצת	0°C-40°C	0°C-40°C
טמפרטורת אחסון מומלצת	-20°C-70°C	-20°C-70°C

- **מכשירי חשמל.** אמצעי זהירות למניעה אלו מפחיתים את הסיכון להפעלה מקרית של המכשיר החשמלי.
 - **אחסון מכשירים חשמליים אשר אינם בשימוש** הרחק מהישג ידם של ילדים ואל תאפשרו לאנשים אשר אינם מכירים את המכשיר החשמלי או אשר לא קראו את ההוראות להפעיל את המכשיר החשמלי. מכשירים חשמליים מסוכנים בידם של אנשים אשר לא הוכשרו להפעיל אותם.
 - **תחזוקו מכשירים חשמליים ואביזרים.** בדקו יישור או ליפוף של חלקים נעים, שבירה של חלקים וכל נתאים אחרים אשר עלולים להשפיע על פעולת המכשיר החשמלי. אם המכשיר החשמלי ניזוק, יש לתקן אותו לפני השימוש בו. תאונות רבות נגרמות כתוצאה מתחזוקה לקויה מכשירים חשמליים.
 - **שימרו על כלי החיתוך חדים ונקיים.** לכלי חיתוך אשר תוחזקו כהלכה בעלי קצוות חדים יש פחות סיכוי לבצע ליפוף וקל יותר לשלוט בהם;
 - **השתמשו במכשירים החשמליים, באביזרים, בחתיכות המכשירים וכו' בהתאם להוראות אלו, כאשר אתם לוקחים בחשבון את תנאי העבודה ואת העבודה שיש לבצע.** שימוש במכשיר החשמלי לפעולות אחרות מאשר אלו אליהן הוא מיועד עלול להסתיים במצב מסוכן.
 - **שימרו על הידיות ועל חלקי האחזיה יבשים, נקיים וללא שמן או חומרי סיכה.** ידיות ומשטחי אחיזה מחליקים לא מאפשרים טיפול נכון ושליטה במכשיר במצבים לא צפויים.
- השימוש והטיפול בסוללה**
- **הטעינו רק עם המטען המצוין על ידי היצרן.** מטען המתאים למארז סוללה אחד עלול ליצור סכנת אש עבור מארז סוללה אחר.
 - **השתמשו במכשירים חשמליים עם מארזי סוללה המיועדים להם.** השימוש במארזי סוללה אחרים עלול ליצור סיכון לפציעות ושרפות.
 - **כאשר מארז הסוללה איננו בשימוש, שימרו עליו במרחק מסוים מעצמים אחרים העשויים ממתכת, כגון מהדקי נייר, מטבעות, מפתחות, מסמרים, ברגים או עצמים קטנים ממתכת העלולים לבצע חיבור של מסוף אחד למשנהו.** ביצוע קצר בין מסופי הסוללה עלול לגרום לכוויות או שרפה.
 - **תחת תנאי שימוש לא נאותים, נוזל עלול להיפלט מן הסוללה; הימנעו ממגע.** אם ישנו מגע מקרי, שטפו במים. אם מתרחש מגע עם העיניים, בנוסף, פנו לעזרה רפואית. נוזל הנפלט מן הסוללה עלול לגרום לפריחה או כוויות.
 - **מילא אחר כל הוראות הטענה ואל תטעינו את מארז הסוללה או את הכלי החשמלי מחוץ לטווחי הטמפרטורה המצוינים בהוראות אלו.** הטענה לא נכונה או מחוץ לטווחי הטמפרטורה המצוינים עלולים לגרום לנזק ולהעלות את הסיכון לשרפה.
- **אל תשתמשו במארז סוללה או מכשיר חשמלי ניזוקים או אשר שנו.** סוללות ניזוקות או אשר שנו עלולות להתנהג בבורה לא צפויה אשר עלולה להסתיים בשרפה, פיצוץ או סיכון לפציעה אישית.
 - **אל תחשפו את מארז הסוללה או את המכשיר אל אש או טמפרטורות גבוהות.** חשיפה אל אש או טמפרטורות גבוהות מ-100°C עלולה לגרום לפיצוץ.
- שירות**
- **ביצעו עבודות שירות על המכשיר החשמלי שלכם רק באמצעות טכנאי שירות מוסמך העושה שימוש רק בחלקי חילוף זהים.** הדבר יבטיח שבטיחות המכשיר החשמלי נשמרת.
 - **לעולם אל תבצעו עבודות שירות למארז סוללה ניזוק.** שירות למארזי סוללה צריך להתבצע רק על ידי היצרן או ספקי שירות מוסמכים.
- אזהרות בטיחות עבור גוזם הגדרות**
- **שימרו על כל חלקי הגוף הרחק מלהב החיתוך.** אל תסירו חומר חיתוך או תחזיקו חומרים לחיתוך כאשר הלהבים נעים. וודאו שהמתנג כבוי בעת ניקוי חומרים תקועים. רגע אחד של חוסר תשומת לב בהפעלת גוזם הגדרות עלול לגרום לפציעה אישית חמורה.
 - **נישאו את גוזם הגדרות באמצעו הידית כאשר הלהב איננו פועל.** בעת הובלה או אחסון של גוזם הגדרות, התאימו תמיד את מכסה התקן החיתוך. טיפול נכון בגוזם הגדרות יפחית את הסיכון לפציעות אישיות מלהבי החיתוך.
 - **החזיקו את המכשיר החשמלי בעזרת משטחי המאחז המבודדים בלבד, בגלל שהלהב עלולה לפגוע בכלבים חבויים.** להבים הבאים במגע עם ככל «חי» עלולים להפוך ל«חיים» חלקי מתכת של הכלי החשמלי ועלולים לגרום שוק חשמלי למפעיל.
 - **שימרו על כבל הסוללה הרחק מאזור החיתוך.** חוטי מתח או כבלים עלולים להיות חבויים בתוך שיחים והלהב יכול לחתור אותם בטעות.
 - **בדקו את הגדר עבור עצמים זרים לפני ההפעלה,** כגון גדרות תיל.
 - **השתמשו בגוזם הגדרות רק כאשר המגן הורכב כהלכה.** השימוש בגוזם הגדרות ללא המגן הנכון עלול לגרום לפציעה אישית חמורה!
 - **השתמשו בשתי הידיים בעת ההפעלה של גוזם הגדרות.** השימוש ביד אחת בלבד עלולה להביא לאבדן שליטה ולפציעה אישית חמורה.
- הוראות בטיחות חשובות**
- אל תטעינו את מארז הסוללה בתנאי גשם, או במקומות יבשים.
 - יש להסיר את מארז הסוללה מן הציוד טרם זריקתו.

בטיחות אישית

- הישארו דרוכים, הביטו במה שאתם עושים והשתמשו בשלל הישר כאשר אתם משתמשים במכשיר החשמלי. נגד לא להשתמש במכשיר החשמלי כאשר אתם עייפים או תחת השפעה של סמים, אלכוהול או תרופות. רגע אחד של חוסר תשומת לב בעת הפעלת המכשיר החשמלי עלול לגרום לפציעה אישית חמורה.
- השתמשו בצידוד הגנה אישי. תמיד לבשו מגני עיניים. כאשר נעשה שימוש בצידוד הגנה כגון מסכת אבק, נעלי בטיחות נגד החלקה, כובעים קשים או מגני אזניים, בתנאים המתאימים, הדבר יפחית את הסיכון לפציעות אישיות חמורות.
- מנעו הפעלה מקרית. וודאו שהמתג נמצא במצב כבוי לפני חיבור של מקור מתח ו/או מארז הסוללה, לפני הרמת המכשיר החשמלי או נשיאתו. נשיאה של מכשירים חשמליים כאשר האצבע שלכם ממוקמת על המתג או חיבור מקורות מתח למכשירים חשמליים בממצאים במצב פועל, מזמינים תאונות.
- הסירו כל כלי כוונון או מפתח ברגים לפני ההפעלה של המכשיר החשמלי. מפתח ברגים או כלי כוונון המוצמד אל חלק מסתובב של המכשיר החשמלי עלולה לגרום לפציעה אישית חמורה.
- אל תבצעו מאמץ יתר. שימרו על צעידה ואיזון בטוחים בכל זמן. הדבר מאפשר שליטה טובה יותר במכשיר החשמלי במצבים לא צפויים.
- לבשו בגדים מתאימים. אל תלבשו בגדים רפויים או תכשיטים. שימרו על הישערה שלכם ועל חלקי בגיזד הרחק מחלקים נעים. בגדים רפויים, תכשיטים או שיער ארוך עלולים להיתפס בחלקים הנעים.
- אם המכשירים מגיעים ביחד עם חיבור להוצאת אבק ומתקני איסוף, וודאו שאלו מחוברים כהלכה והשימוש בהם נעשה באופן נכון. השימוש במתקנים לאיסוף אבק יכול לפחית סכנות הקשורות לאבק.
- אל תאפשרו לעצמכם להיות פחות זהירים בגלל שימוש תכוף במכשיר החשמלי, אל תהיו שאננים ואל תתעלמו מעקרונות הבטיחות. פעולה לא זהירה עלולה לגרום לפציעה חמורה בשבריר שנייה.
- השימוש והטיפול במכשיר החשמלי
 - אל תפעילו כוח על המכשיר החשמלי. השתמשו במכשיר החשמלי המיועד למטרה שלכם. המכשיר החשמלי הנכון יבצע את עבודתו בצורה טובה ובטוחה יותר בקצב בו הוא עוצב.
 - אל תשתמשו במכשיר החשמלי אם מתג ההפעלה והכיבוי איננו פועל. כל מכשיר חשמלי אשר לא ניתן לשלוט בו בעזרת המתג הוא מסוכן ויש לתקן אותו.
 - נקטו את התקן ממקור החשמל ו/או הסירו את מארז הסוללה מן המכשיר החשמלי, אם ניתן, לפני ביצוע כל התאמה, שינוי של אביזרים, או אחסון של

אזהרות בטיחות כלליות עבור מכשירים חשמליים

▲ אזהרה: קראו את כל האזהרות הבטיחות, את ההוראות, התמונות והמפרטים המסופקים ביחד עם מכשיר חשמלי זה. אי מילוי אחר כל ההוראות המופיעות למטה יכול לגרום אחריו שוק חשמלי, שרפה ו/או פציעות חמורות.

שימרו את כל האזהרות וההוראות לעיון עתידי.

המושג "מכשיר חשמלי" בחלק האזהרות מתייחס אל המכשיר החשמלי שלכם (חוטי) או המכשיר החשמלי המונע על ידי סוללות (אלחוטי).

בטיחות סביבת העבודה

- שימרו על סביבת העבודה נקייה ומוארת כהלכה. סביבות לא מסודרות ואפלות מזמינות תאונות.
- אל תפעילו את המכשיר החשמלי באזורים דליקים, בנוכחות נוזלים דליקים, גזים או אבק. המכשירים החשמליים מייצרים ניצוצות העלולים להצית את האבק או האדים.
- בקשו מילדים ומעוברי אורח להתרחק מן המכשיר החשמלי בעת הפעלתו. הסחות דעת עלולות לגרום לכם לאבד את השליטה.

בטיחות חשמלית

- התקעים של המכשיר החשמלי צריכים להיות מתאימים לשקע. לעולם אל תשנו את התקע בכל צורה שהיא. אל תשתמשו במתאמים עבור תקעים של מכשירים חשמליים בעלי הארקה. תקעים שלא שנו ושקעים מתאימים יפחיתו את הסיכון לשוק חשמלי.
- הימנעו ממגע עם משטחים בעלי הארקה, כגון צינורות, רדיאטורים, כיריים ומקררים. יש סיכון גבוה לשוק חשמלי אם הגוף שלכם מוארק.
- אל תחשפו את המכשיר החשמלי אל הגשם או תנאים רטובים. מים הנכנסים אל המכשיר החשמלי יגבירו את הסכנה לשוק חשמלי.
- אל תפעילו לחץ על כבל מארז הסוללה. לעולם אל תשתמשו בכבל על מנת לשאת, למשוך או להוציא את המכשיר החשמלי מן השקע. שימרו על הכבל הרחק ממקורות חום, שמן, קצוות חדים או חלקים נעים. כבלים ניזוקים או מלופפים מגבירים את הסיכון לשוק חשמלי.
- בעת הפעלת המכשיר החשמלי בחוץ, עשו שימוש בכבל מאריך המתאים לשימוש בחוץ. השימוש בכבל מאריך המתאים לשימוש בחוץ מפחית את הסיכון לשוק חשמלי.
- אם אין מניעה מהפעלת המכשיר החשמלי במקום לח, עשו שימוש בממסר פחת (RCD) להגנה על המתח. השימוש בממסר פחת מפחית את הסיכון לשוק חשמלי.

קראו את כל ההוראות!



קראו את מדריך ההוראות למפעיל

⚠ אזהרה: על מנת להבטיח בטיחות ואמינות, יש לבצע את כל התיקונים וההחלפות בעזרת טכנאי שירות מוסמך.

סימני בטיחות

מטרתם של סימני הבטיחות היא למשוך את תשומת לבכם אל סכנות אפשריות. סימני הבטיחות וההסברים שלהם דורשים את תשומת הלב וההבנה המלאות שלכם. סימני הבטיחות בעצמם לא ימנעו כל סכנה.

ההוראות והאזהרות אותן הם מספקים לא תחלפנה נקיטת אמצעי מניעה מתאימים בעת תאונה.

⚠ אזהרה: וודאו שאתם קוראים ומבינים את כל ההוראות הבטיחות המופיעות במדריך זה למשתמש, כולל את כל סימני התרעות הבטיחות כגון „סכנה“, „אזהרה“ ו-„זהירות“ לפני השימוש במכשיר זה. אי מילוי אחר כל ההוראות המופיעות למטה יכול לגרום אחריו שוק חשמלי, סרפה ו/או פציעות חמורות.

פירוש הסימן

סימן התרעת בטיחות: מעיד על „סכנה“, „אזהרה“ או „זהירות“. יכול להיות מלווה בסימנים או תמונות אחרים.

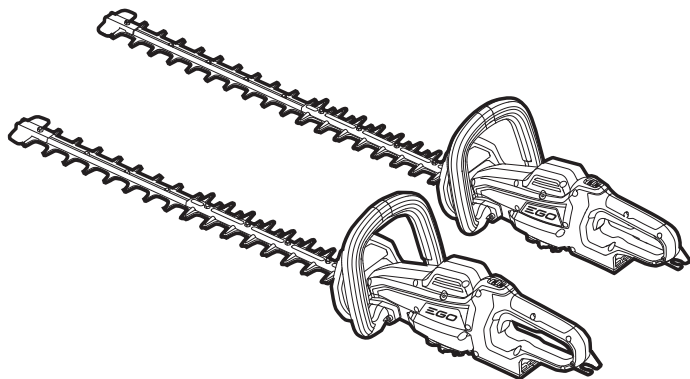
⚠ אזהרה: הפעלה של כל מכשיר עלולה לגרום לעצמים זרים להיזרק אל תוך העיניים, דבר העלול לגרום לנזק חמור לעיניים. לפני ההפעלה של כל מכשיר, ענדו תמיד משקפי מגן או משקפי בטיחות עם הגנה צדדית, ובעת הצורך, הגנה עבור כל הפנים. אנו ממליצים על שימוש במסכת בטיחות רחבה מעל למשקפי המגן או על שימוש במשקפי בטיחות עם הגנה צדדית.

הוראות בטיחות

עמוד זה מציין ומתאר את סימני הבטיחות העלולים להופיע על גבי המוצר. קראו, הבינו ועקבו אחר ההוראות המופיעות על המכונה לפני כל ניסיון להרכיב ולהשתמש בה.

מראה על סכנת פגיעה אישית פוטנציאלית.	התרעת בטיחות	
על מנת להפחית את הסיכון לפציעות, על המשתמש לקרוא את המדריך למשתמש.	קראו את מדריך ההוראות	
לעולם אל תנסו להפעיל את הכלי החשמלי ביד אחת. עשוי להיגרם אובדן שליטה בכלי החשמלי הגורם לפגיעה חמורה או קטלנית. כדי להפחית את הסיכון לפציעות של חתכים, הרחיקו את הידיים והרגליים הרחק מכלי החיתוך. לעולם אל תחברו כלי חיתוך נע באמצעות ידכם או כל איבר אחר בגופכם.	שימרו על הידיים והרגליים הרחק מכלי החיתוך	
חבשו תמיד משקפי מגן או משקפי בטיחות עם הגנה צדדית, ובעת הצורך, הגנה עבור כל הפנים, בעת הפעלת מוצר זה.	לבשו מגני עיניים	
רמת עוצמת קול מובטחת. פליטת רעש אל הסביבה בהתאם לתקנת האיחוד האירופי.	רעש	
מוצר זה הנו בהתאם לתקנות ה-EC הרלוונטיות.	CE	
מוצר זה הוא בהתאם לחוקים הרלוונטיים בבריטניה.	UKCA	
אין לזרוק מוצרים חשמליים כחלק מכל אשפה ביתית. הביאו את המכשיר למרכז מחזור מוסמך.	WEEE	
אורך הלהב	אורך הלהב	
מקסימום יכולת החיתוך של הלהב	יכולת חיתוך	
הגנה מפני זרנוקי מים	סמל IP	IPX5
וולטז'	וולט	V
סוג או מאפיין מתח	זרם ישיר	
סיבובים לדקה	לדקה	... לדקה
אורך או גודל	מילימטר	mm
אורך או גודל	סנטימטר	cm
מהירות סיבובית, ללא עומס	מהירות ללא עומס	n_0

EGO™ PRO X



HTX6500/HTX7500

גוזם גדרות אלחוטי עם סוללת ליתיום-יון 56 וולט HE

جزازة سياج لاسلكية ببطارية ليثيوم-أيون 56 فولت AR

